



US00D385234S

United States Patent [19] Young

[11] Patent Number: **Des. 385,234**

[45] Date of Patent: ****Oct. 21, 1997**

[54] **TIRE TREAD**

4,840,211 6/1989 Makino 152/209
5,345,988 9/1994 Kabe et al. 152/209

[75] Inventor: **Austin Gale Young, Copley, Ohio**

OTHER PUBLICATIONS

[73] Assignee: **The Goodyear Tire & Rubber Company, Akron, Ohio**

Dunlop SP351 Tire, 1994 Tread Design Guide, p. 84 Jan. 1994.

[**] Term: **14 Years**

Bridgestone R250F Tire, 1994 Tread Design Guide, p. 120 Jan. 1994.

[21] Appl. No.: **58,683**

Michelin XT-1 Tire, 1994 Tread Design Guide, p. 145 Jan. 1994.

[22] Filed: **Aug. 20, 1996**

Primary Examiner—James Gandy

Assistant Examiner—R. Spear

Attorney, Agent, or Firm—T. P. Lewandowski

[51] LOC (6) Cl. **12-15**

[52] U.S. Cl. **D12/141**

[58] Field of Search D12/136, 138,
D12/140-151; 152/209 A, 209 D, 209 R

[57] **CLAIM**

The ornamental design for a tire tread, as shown and described.

[56] **References Cited**

DESCRIPTION

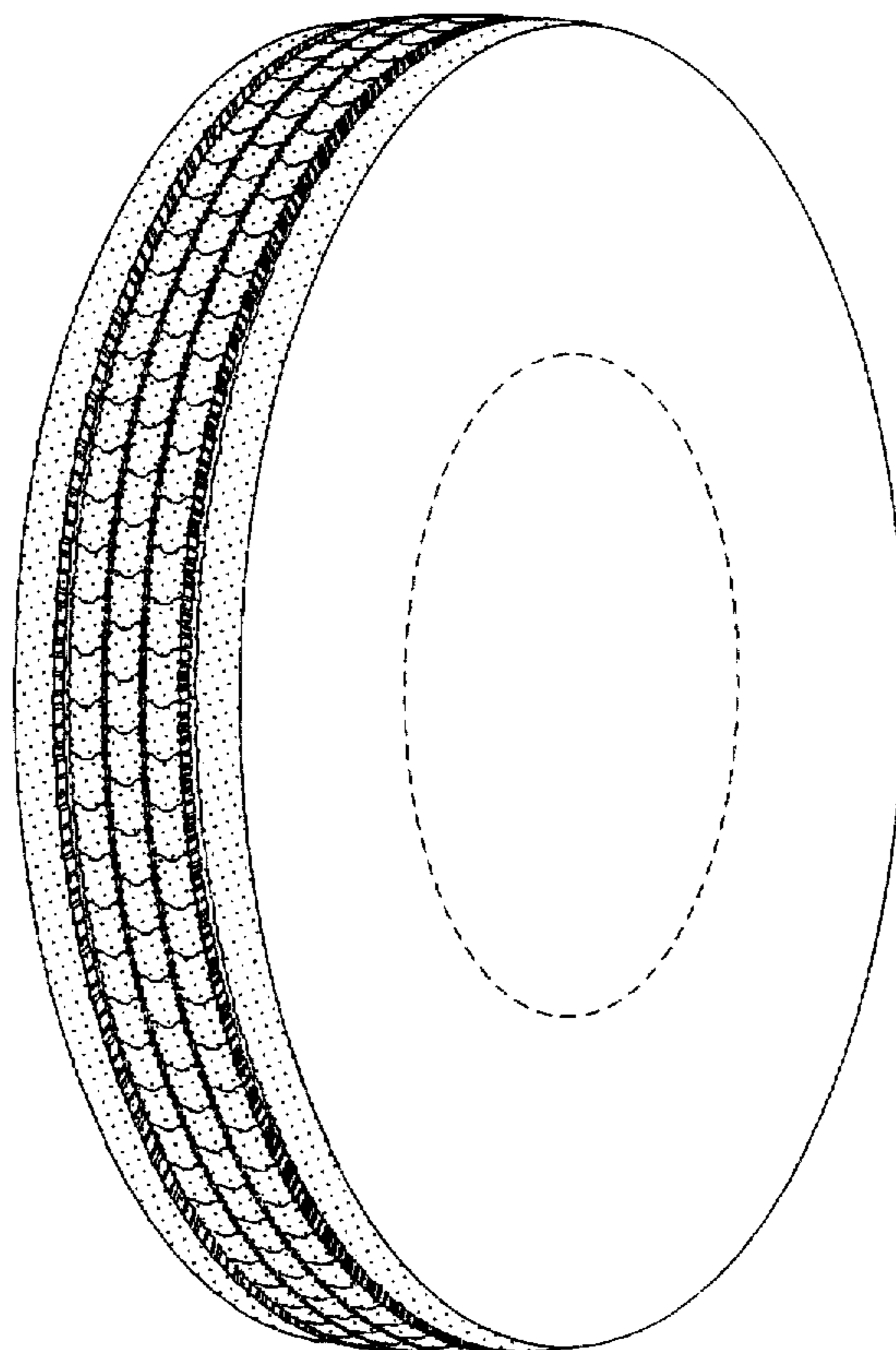
U.S. PATENT DOCUMENTS

D. 253,643	12/1979	Makino et al.	D12/142
D. 294,812	3/1988	Takeuchi	D12/146
D. 296,199	6/1988	Tansey et al.	D12/145
D. 304,558	11/1989	Fukumoto	D12/146
D. 305,523	1/1990	Remick	D12/146
D. 308,188	5/1990	Hinrichsen et al.	D12/146
D. 316,692	5/1991	Fukumoto	D12/146
D. 334,362	3/1993	Stone et al.	D12/147
D. 334,371	3/1993	Hodges	D12/147
D. 338,178	8/1993	Yamashita	D12/141
D. 347,606	6/1994	Mehta	D12/147
D. 362,217	9/1995	McKisson	D12/147
4,320,790	3/1982	Corner et al.	152/209
4,703,787	11/1987	Ghilardi	152/209

FIG. 1 is a perspective view of a tire tread showing our new design, it being understood that the pattern is repeated uniformly throughout the circumference of the tread; FIG. 2 is a front elevational view thereof; FIG. 3 is a side elevational view thereof, the opposite side elevational view being a mirror image thereof; and, FIG. 4 is an enlarged fragmentary front perspective view thereof.

The broken line showing of the tire sidewall in the drawings is for illustrative purposes only and forms no part of the claimed design.

1 Claim, 4 Drawing Sheets



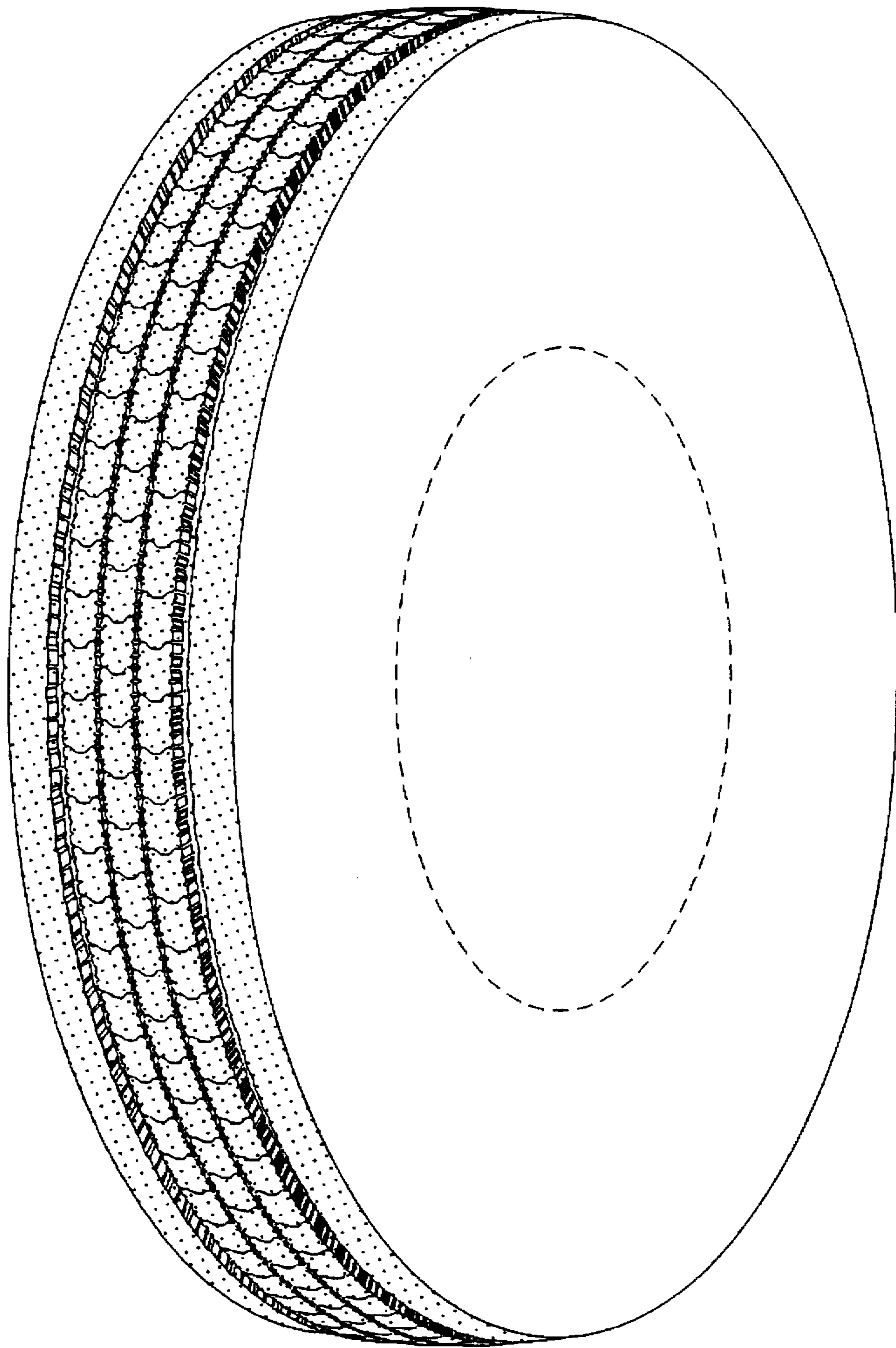


FIG. 1

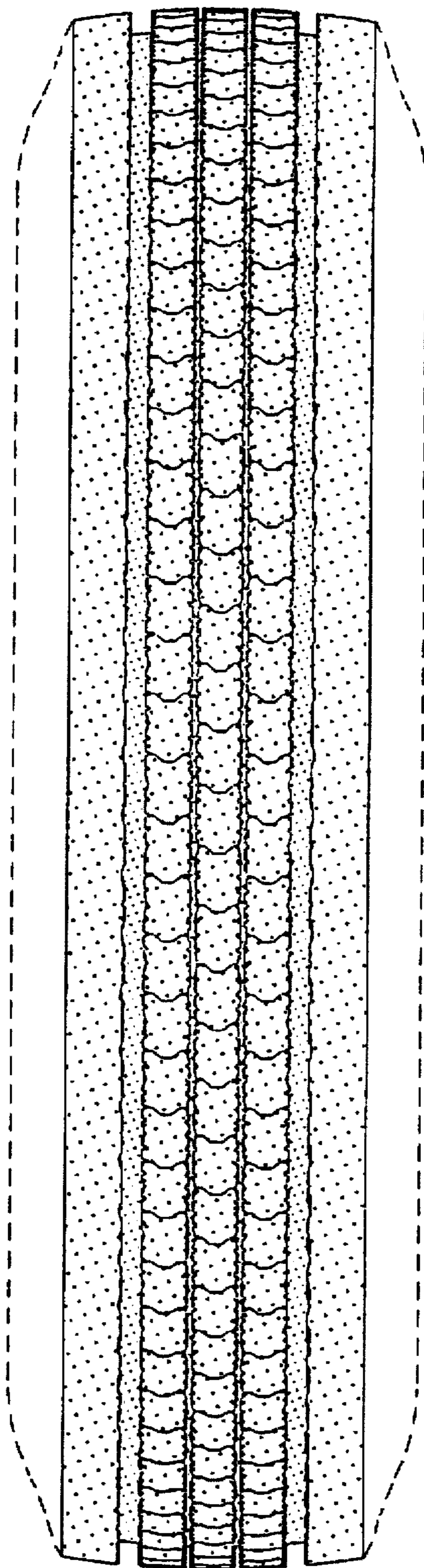


FIG. 2

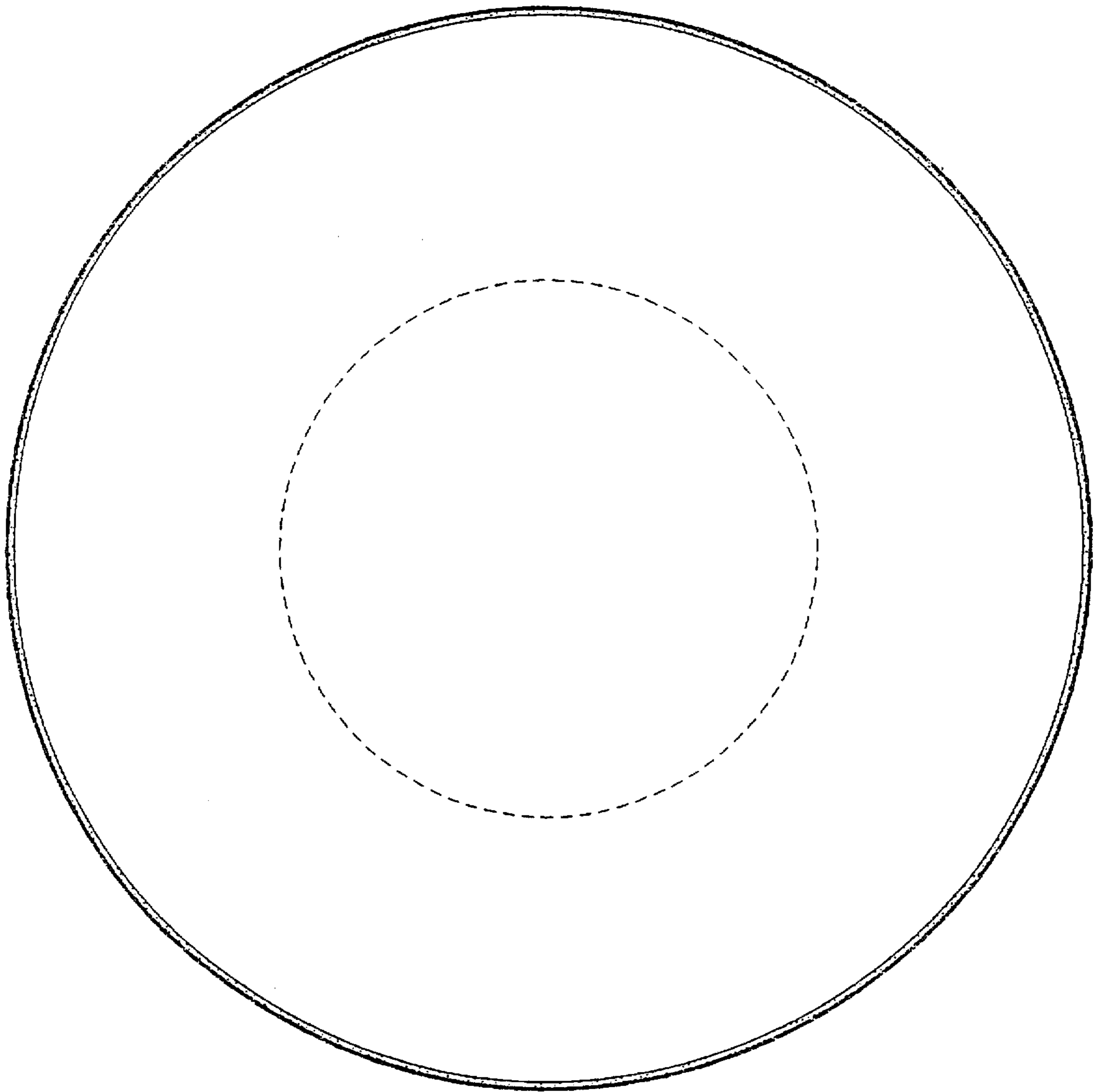


FIG. 3

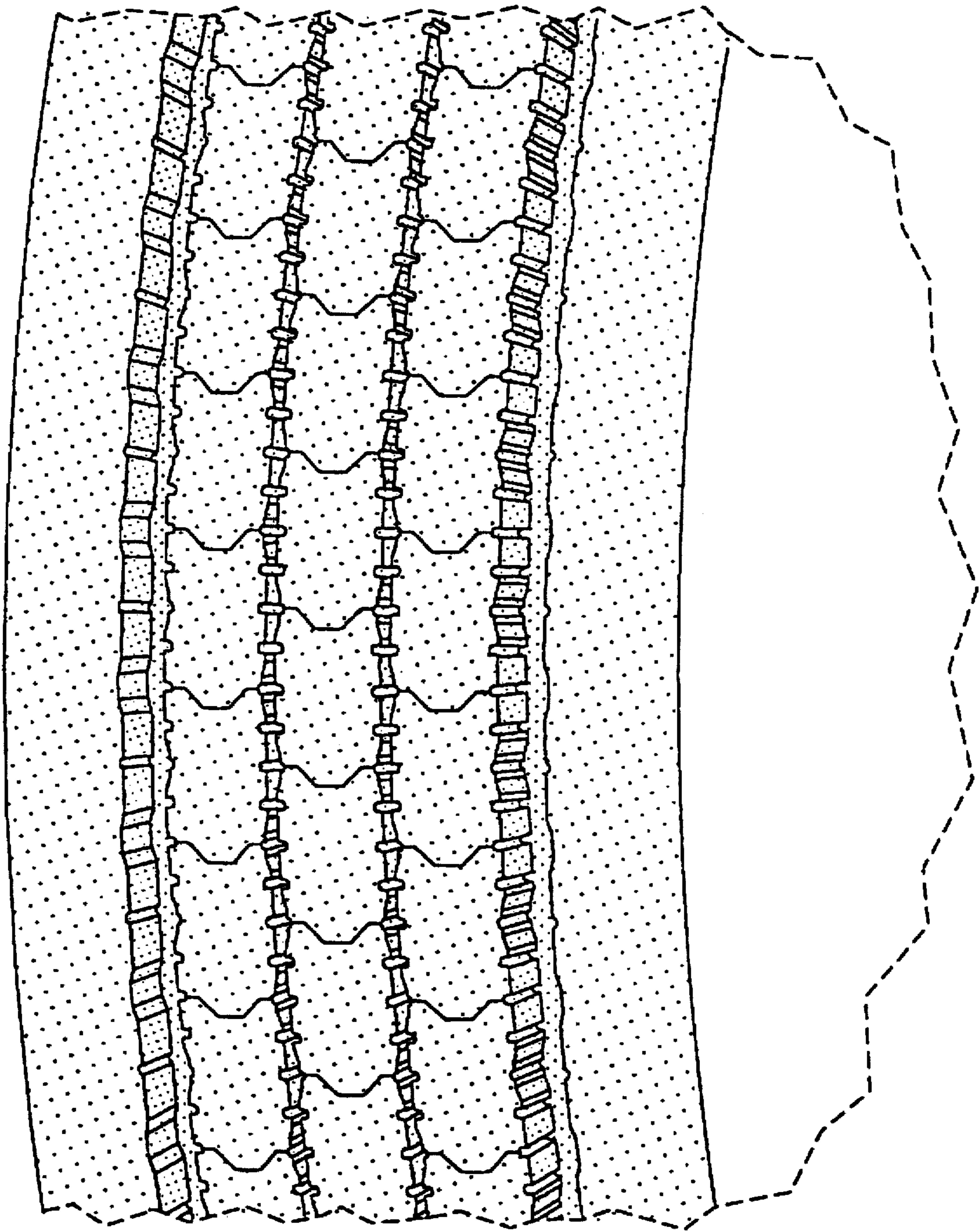


FIG. 4