



US00D385233S

United States Patent [19]

Doyle et al.

[11] Patent Number: **Des. 385,233**

[45] Date of Patent: ****Oct. 21, 1997**

[54] **WALKING AID**

4,643,211 2/1987 Morris et al. 135/67
4,700,730 10/1987 Samuelson et al. 135/67

[75] Inventors: **Brian Peter Doyle, Toronto; Geoffrey Roy Fernie, Islington, both of Canada**

FOREIGN PATENT DOCUMENTS

[73] Assignee: **CSIA Research Foundation, Toronto, Canada**

2154149 9/1985 United Kingdom 482/68

[**] Term: **14 Years**

Primary Examiner—Kay H. Chin

[21] Appl. No.: **45,736**

[57] **CLAIM**

[22] Filed: **Oct. 27, 1995**

The ornamental design for a walking aid, as shown and described.

[51] LOC (6) Cl. **12-12**

DESCRIPTION

[52] U.S. Cl. **D12/130**

[58] Field of Search D12/130, 128;
280/47.3, 755, 87.051; 482/67, 68; 472/25,
135; 135/66, 67, 72, 74; 297/5, 313

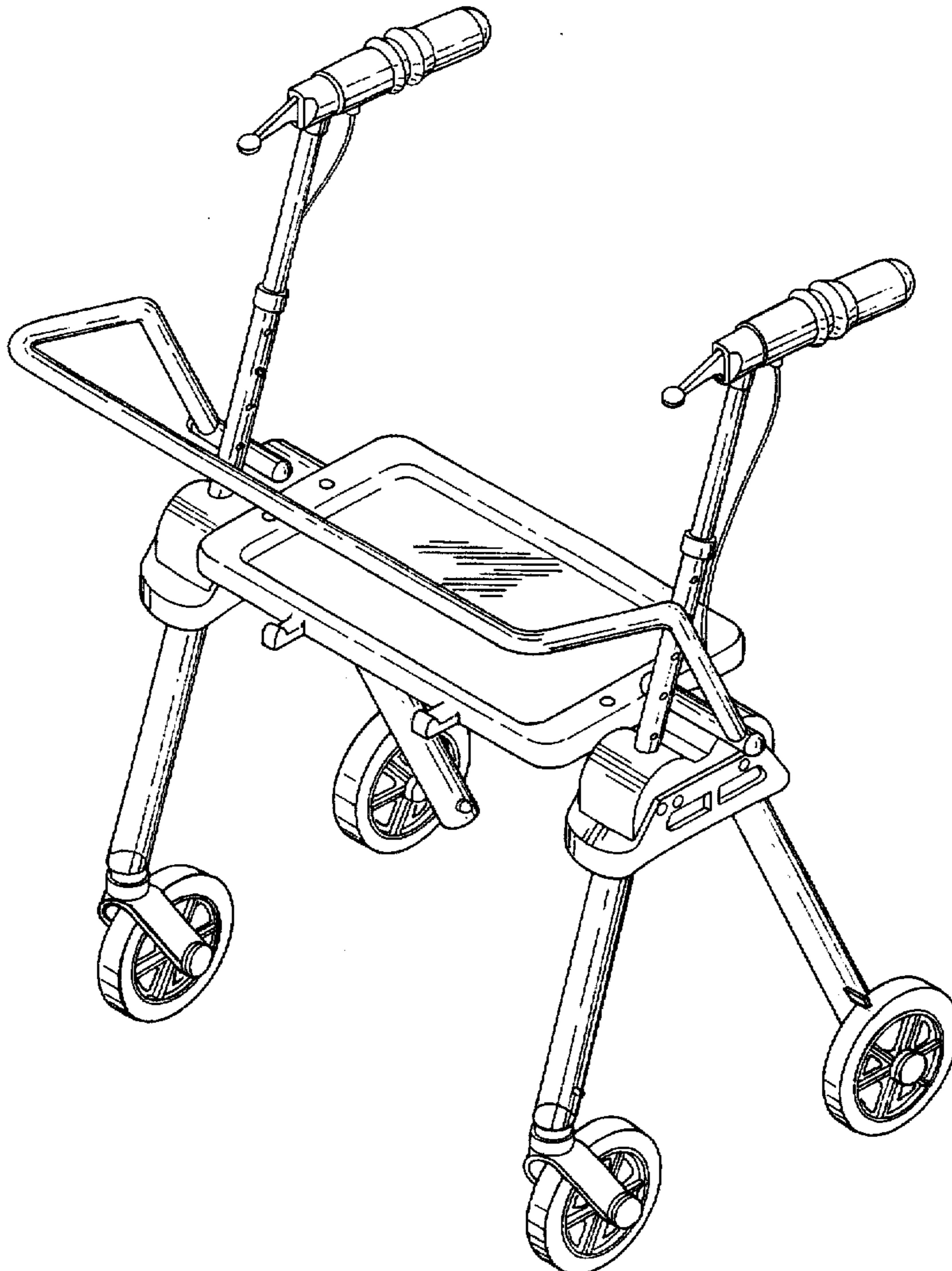
FIG. 1 is a perspective view showing our design;
FIG. 2 is a side elevational view thereof, the other side thereof being a mirror image;
FIG. 3 is a front elevational view of the design;
FIG. 4 is a rear elevational view of the design;
FIG. 5 is a top plan view of the design; and,
FIG. 6 is a bottom plan view of the design.

[56] **References Cited**

U.S. PATENT DOCUMENTS

4,341,381 7/1982 Norberg 135/67

1 Claim, 5 Drawing Sheets



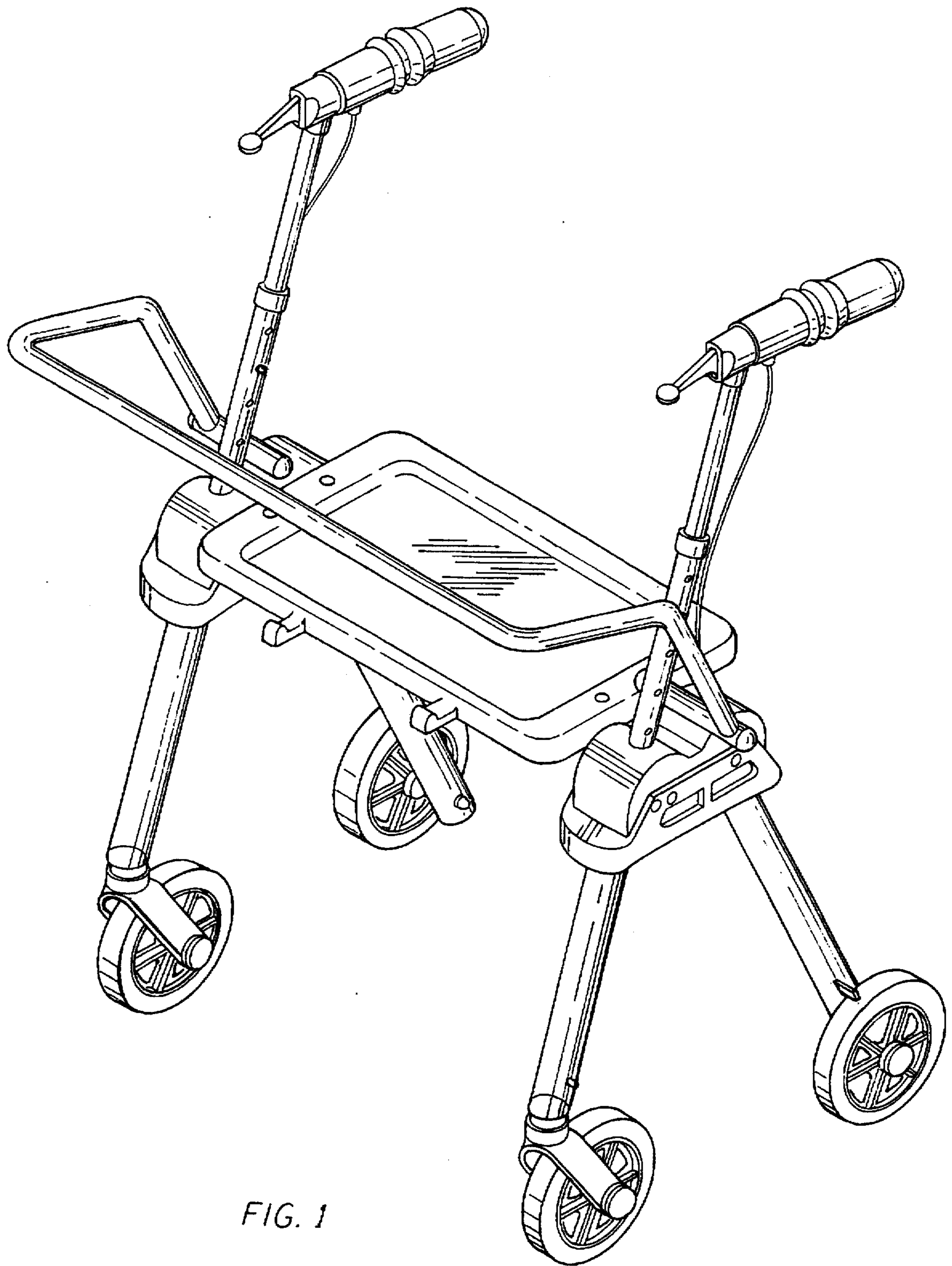


FIG. 1

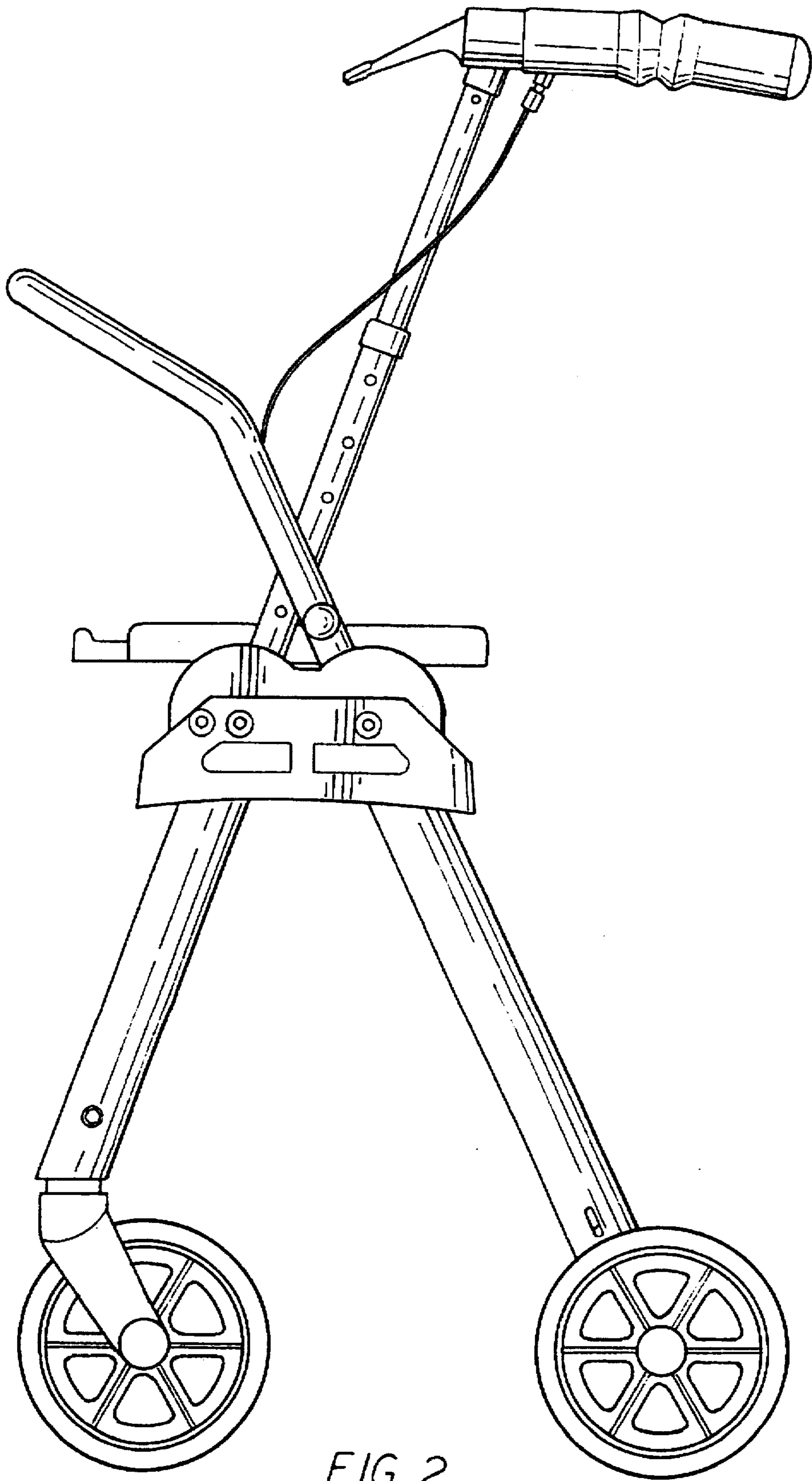


FIG. 2

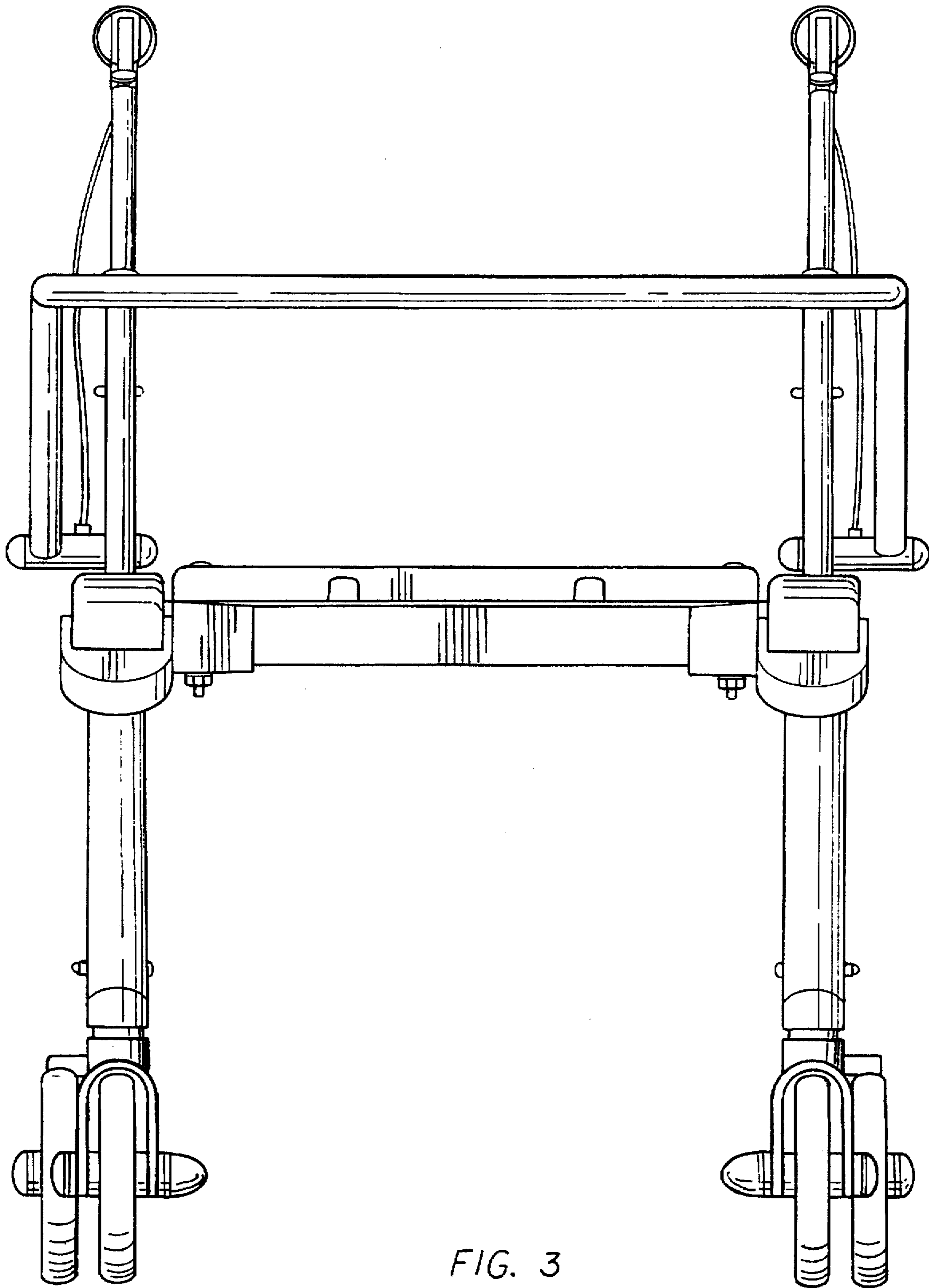


FIG. 3

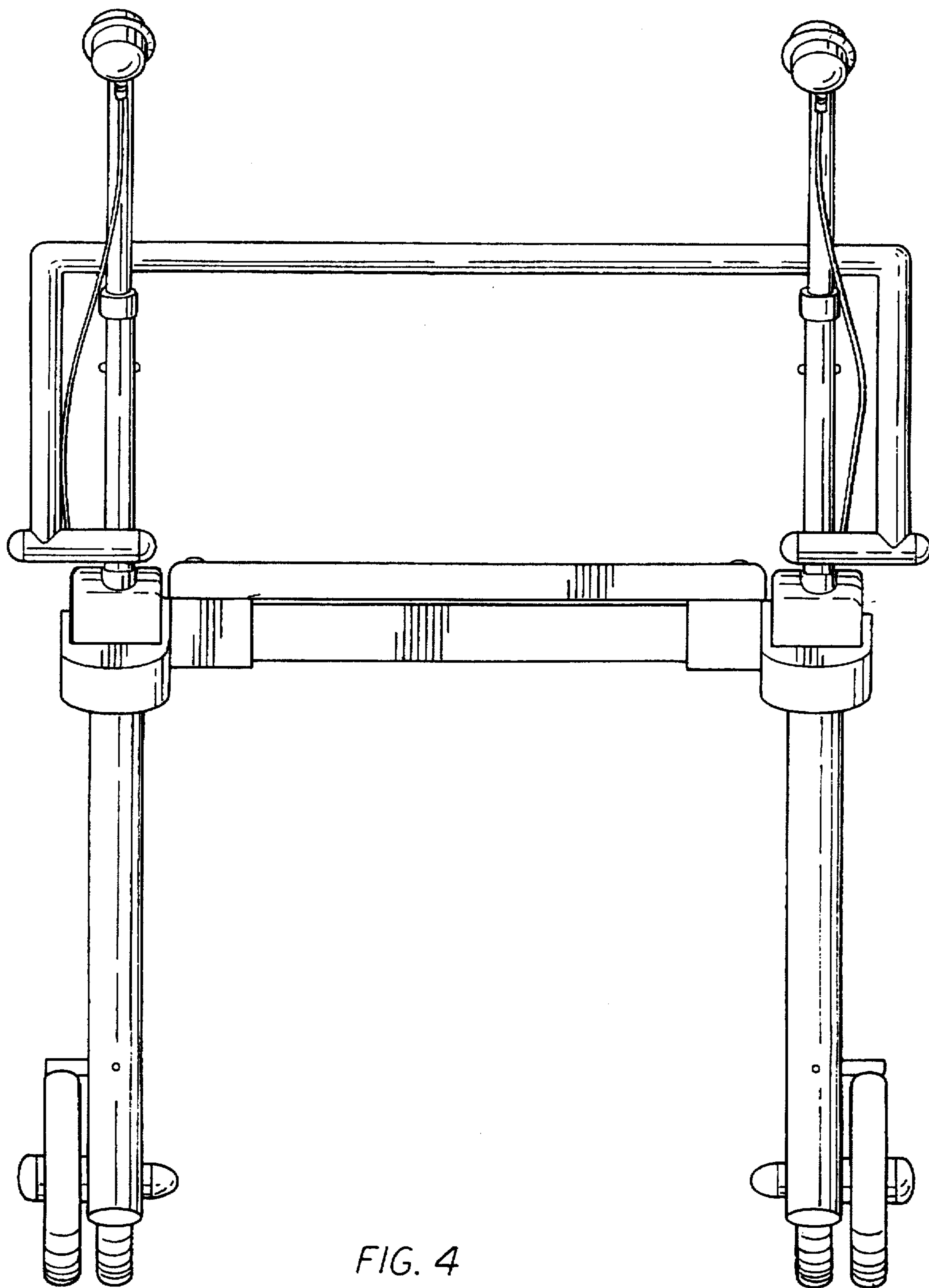


FIG. 4

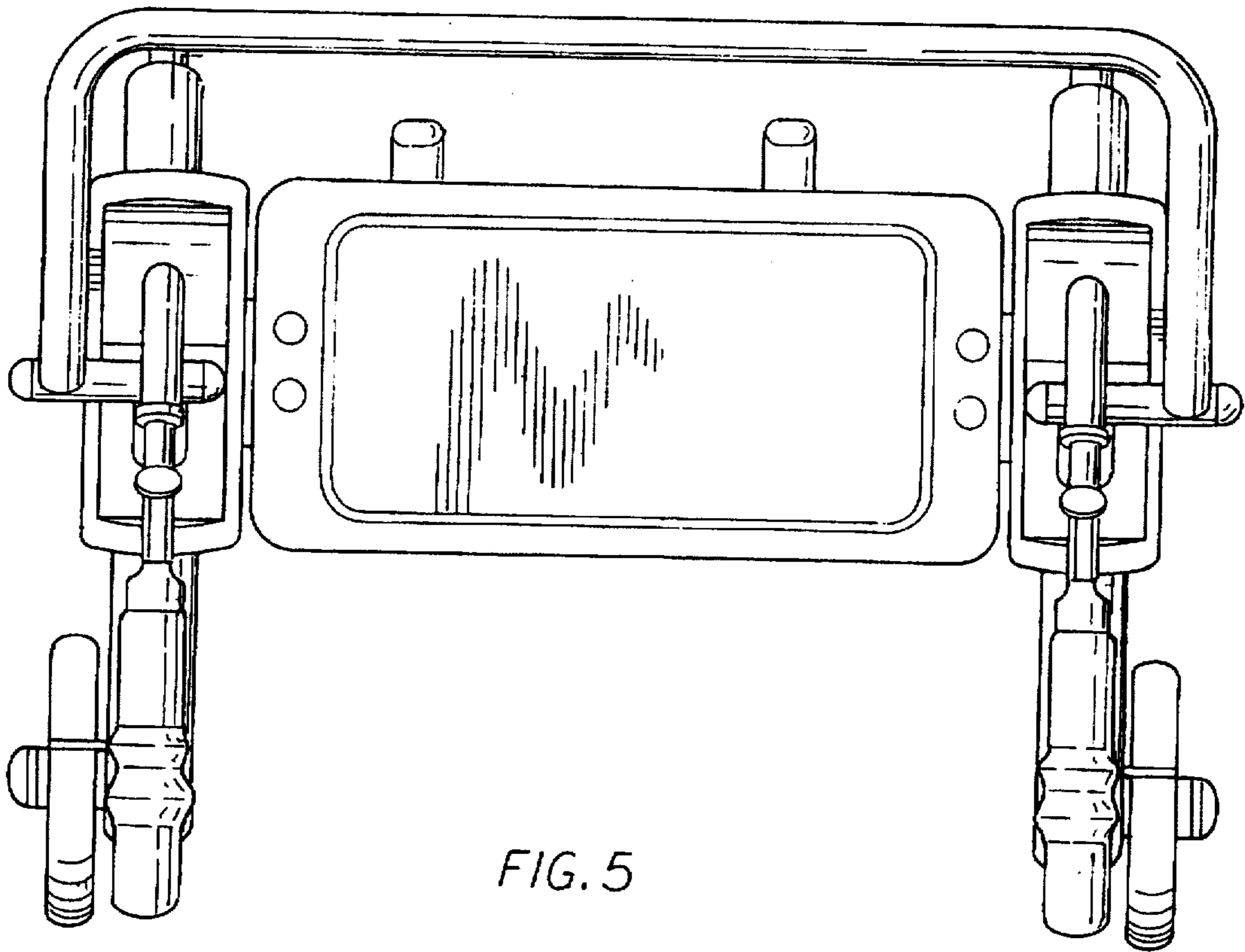


FIG. 5

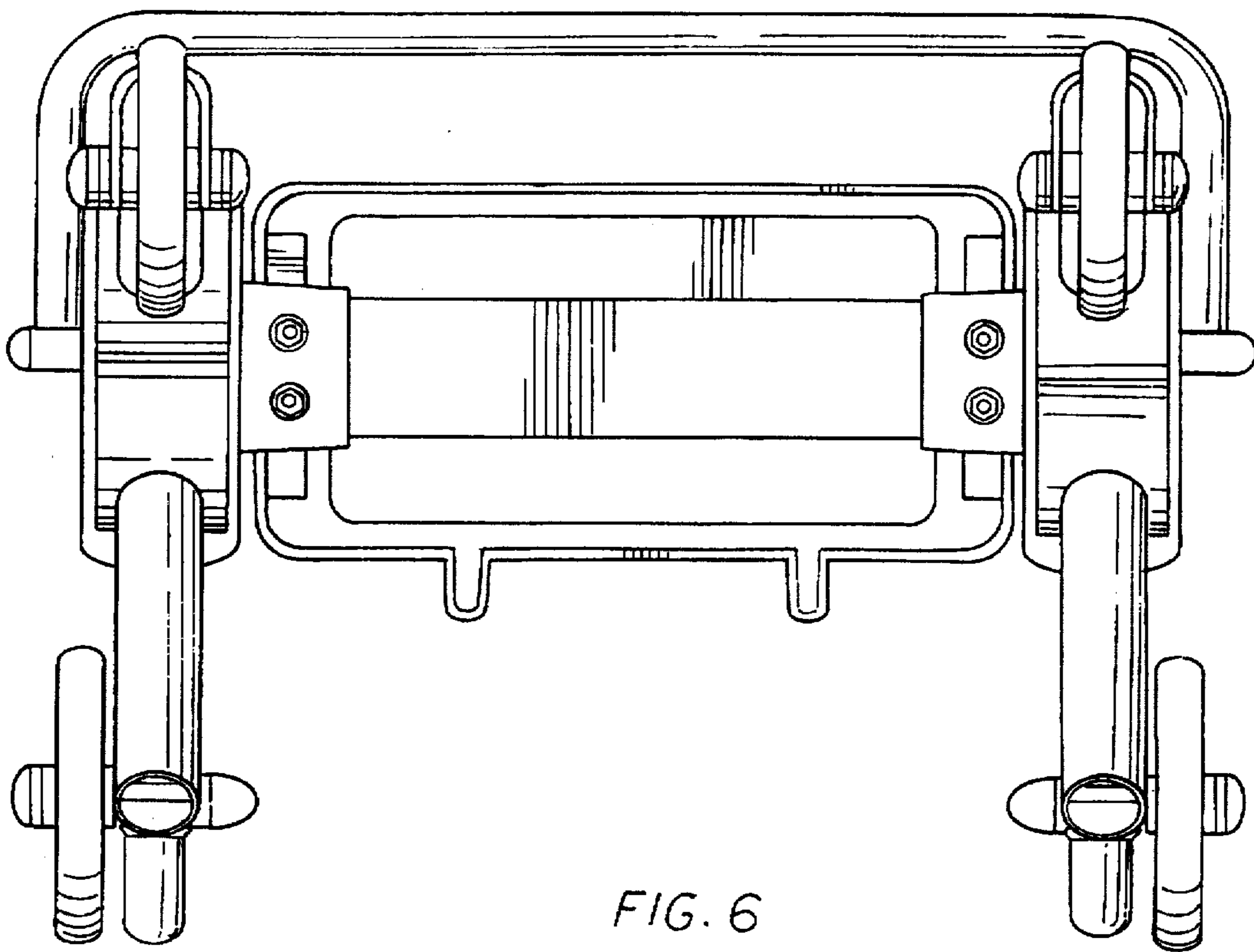


FIG. 6