



US00D385230S

# United States Patent [19]

Han et al.

[11] Patent Number: **Des. 385,230**

[45] Date of Patent: **\*\*Oct. 21, 1997**

[54] **EASY CONTROL TRICYCLE**

[76] Inventors: **Steve Han; John E. Han**, both of 356 S. Prospectors Rd., No. 75, Diamond Bar, Calif. 91765; **Young Son Song; Seang Hwan Song**, both of 2737 W. Orange Ave., Anaheim, Calif. 92804

[\*\*] Term: **14 Years**

[21] Appl. No.: **55,274**

[22] Filed: **Jun. 3, 1996**

[51] LOC (6) Cl. .... **12-11**

[52] U.S. Cl. .... **D12/112**

[58] Field of Search ..... D12/112, 1, 113, D12/85; 280/262, 261, 282, 202, 259, 87.051, DIG. 5; 180/210

[56] **References Cited**

**U.S. PATENT DOCUMENTS**

D. 269,960 8/1983 Casper ..... D12/85

|            |         |        |       |           |
|------------|---------|--------|-------|-----------|
| D. 289,273 | 4/1987  | Berger | ..... | D12/112   |
| 3,781,031  | 12/1973 | Patys  | ..... | D12/112   |
| 4,746,135  | 5/1988  | Oh     | ..... | D12/112   |
| 5,346,234  | 9/1994  | Kadaja | ..... | 280/259 X |
| 5,486,015  | 1/1996  | Lau    | ..... | 280/236   |

*Primary Examiner*—Melody N. Brown  
*Attorney, Agent, or Firm*—Eugene Oak, Ph.D., J.D.

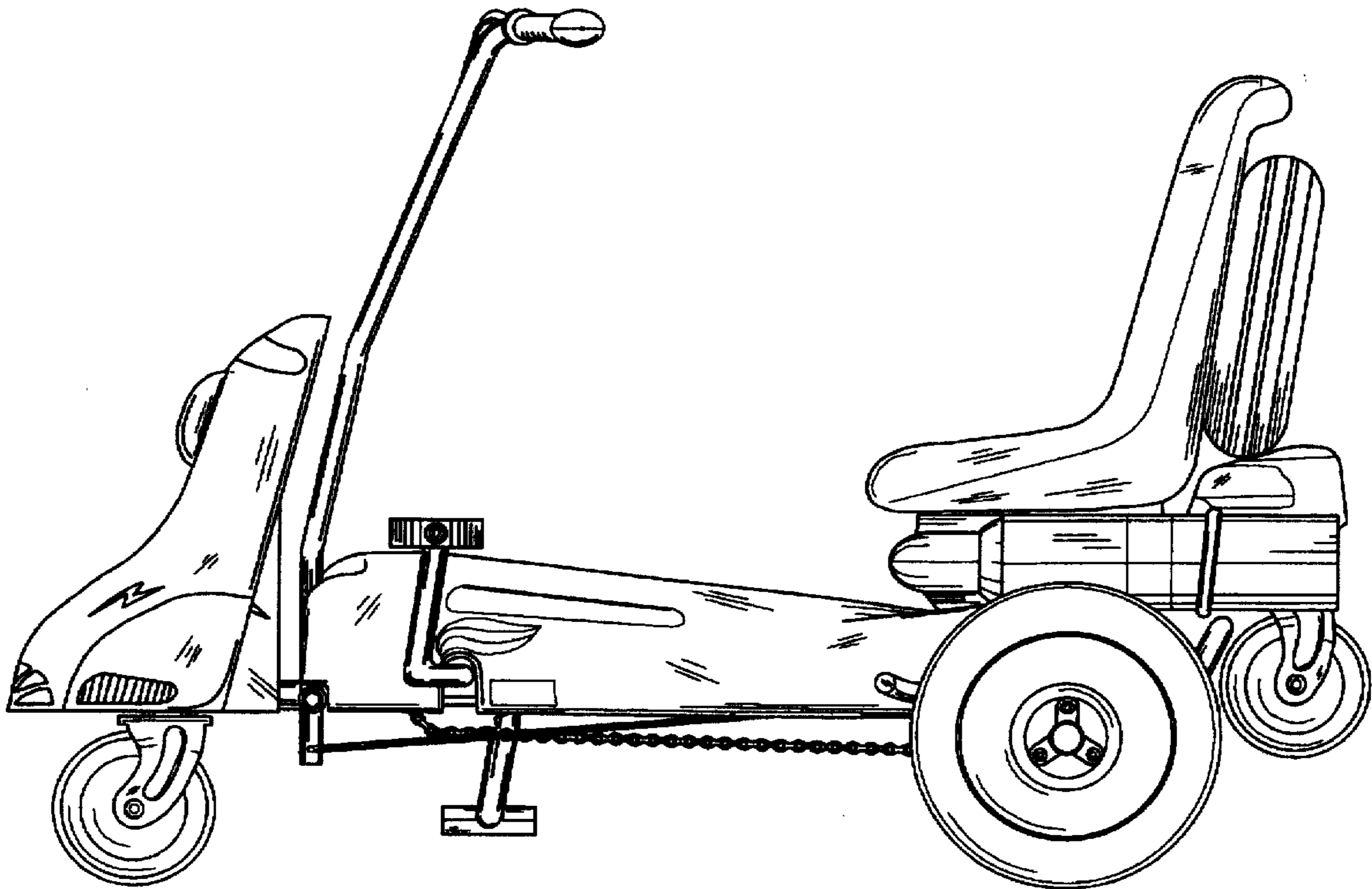
[57] **CLAIM**

The ornamental design for the easy control tricycle, as shown and described.

**DESCRIPTION**

FIG. 1 is a left-side elevational view of the easy control tricycle;  
FIG. 2 is a right-side elevational view of the easy control tricycle;  
FIG. 3 is a front elevational view of the easy control tricycle;  
and,  
FIG. 4 is a back elevational view of the easy control tricycle.

**1 Claim, 4 Drawing Sheets**



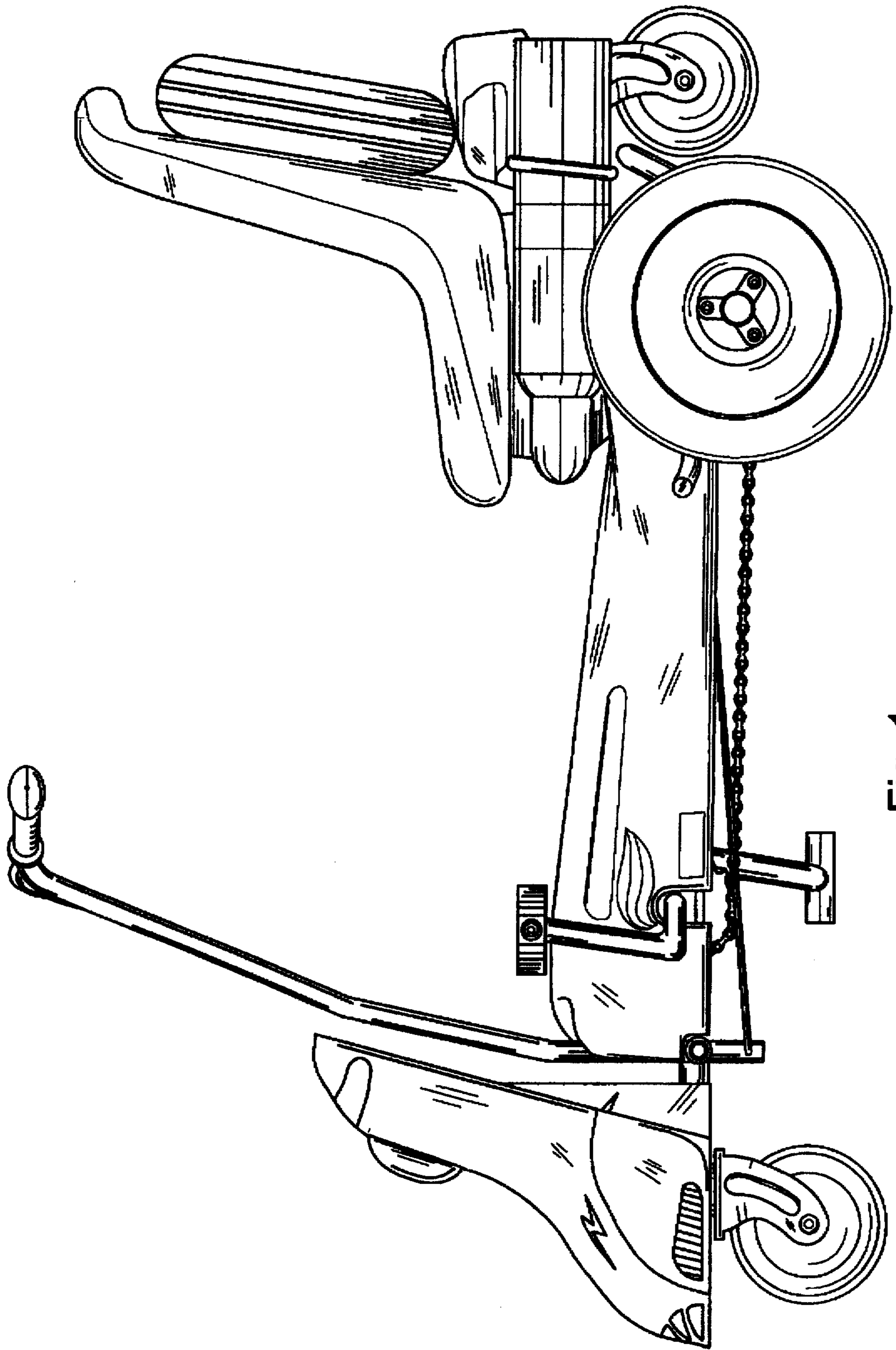


Fig. 1

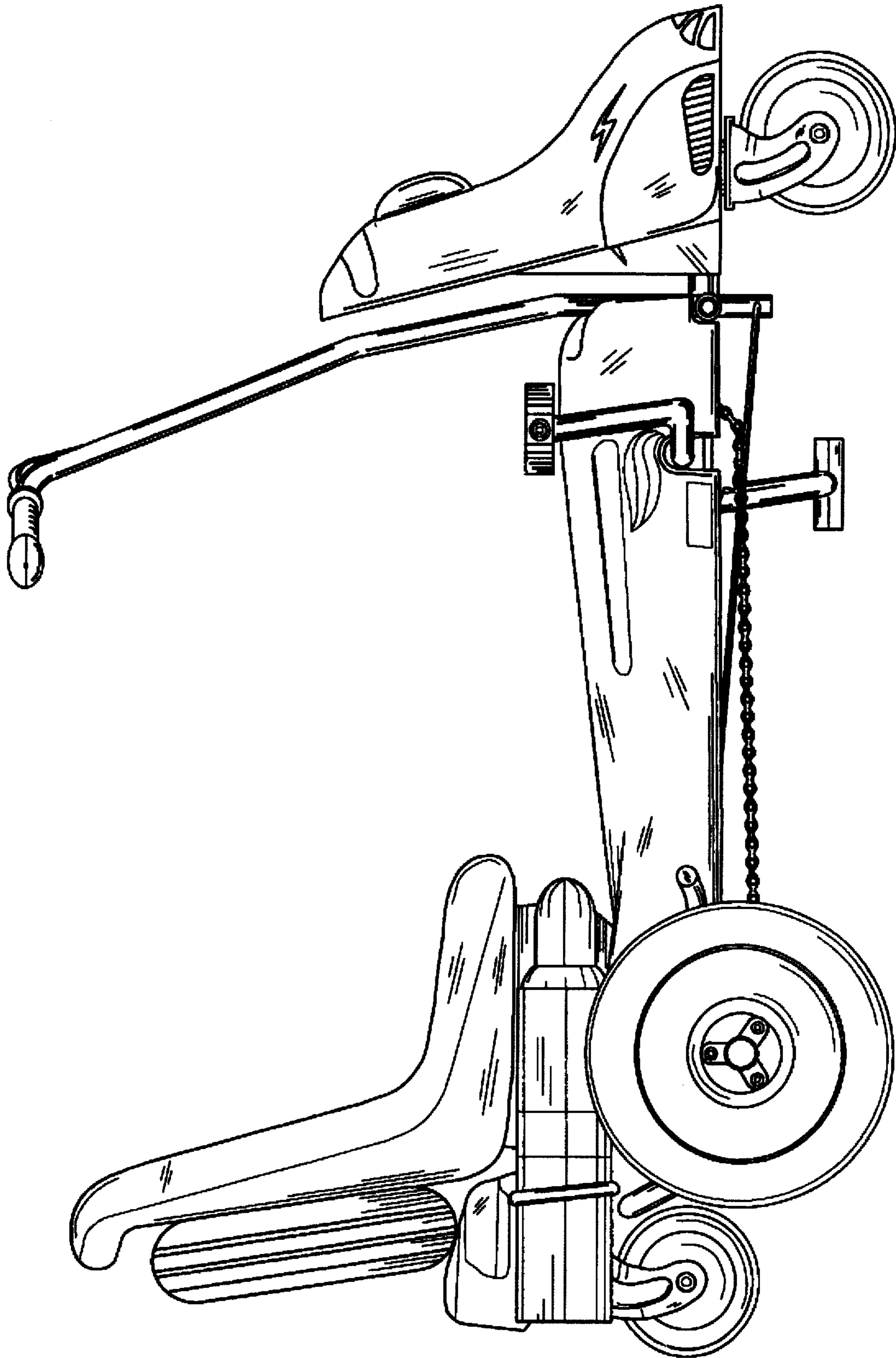


Fig. 2

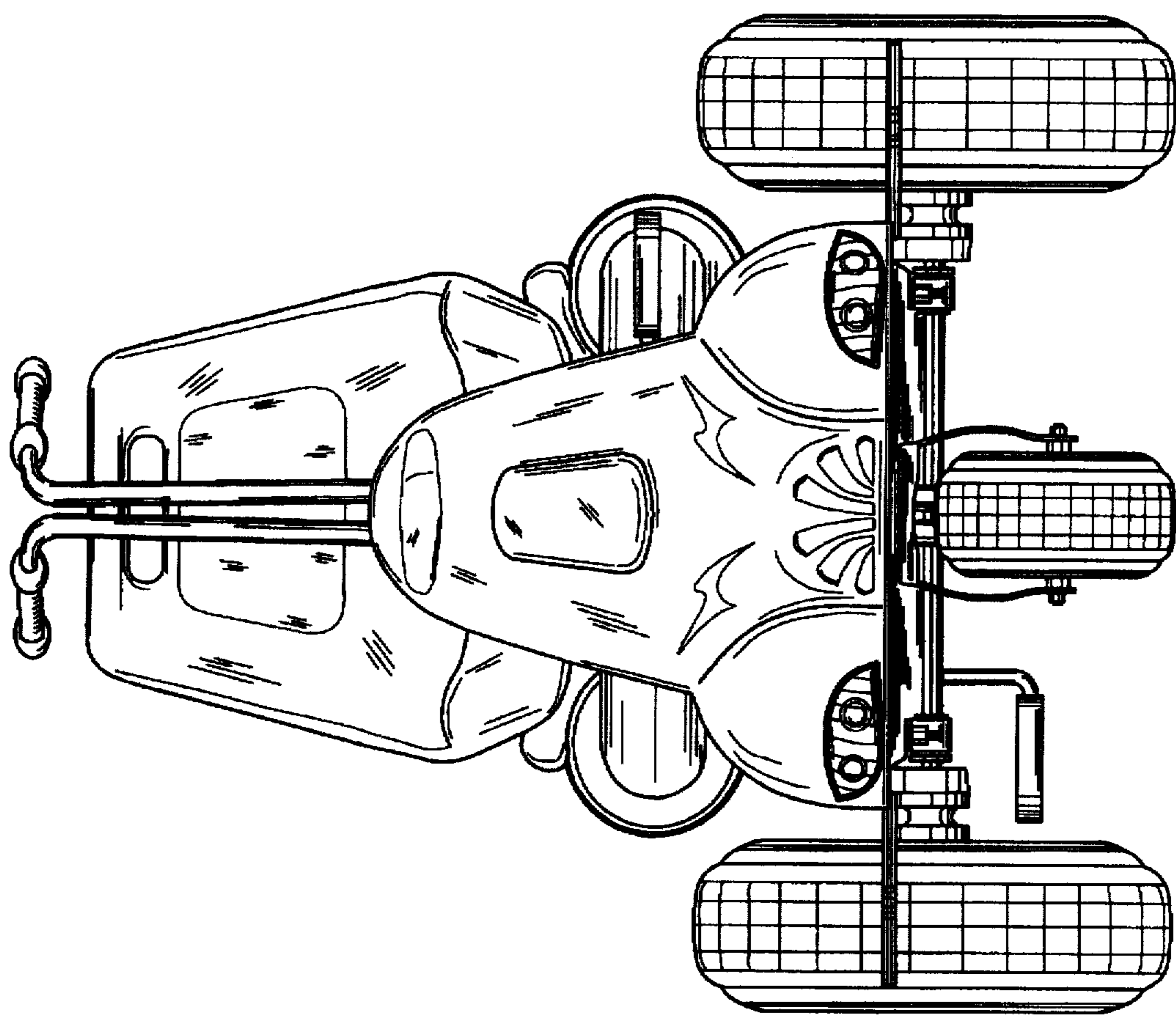


Fig. 3

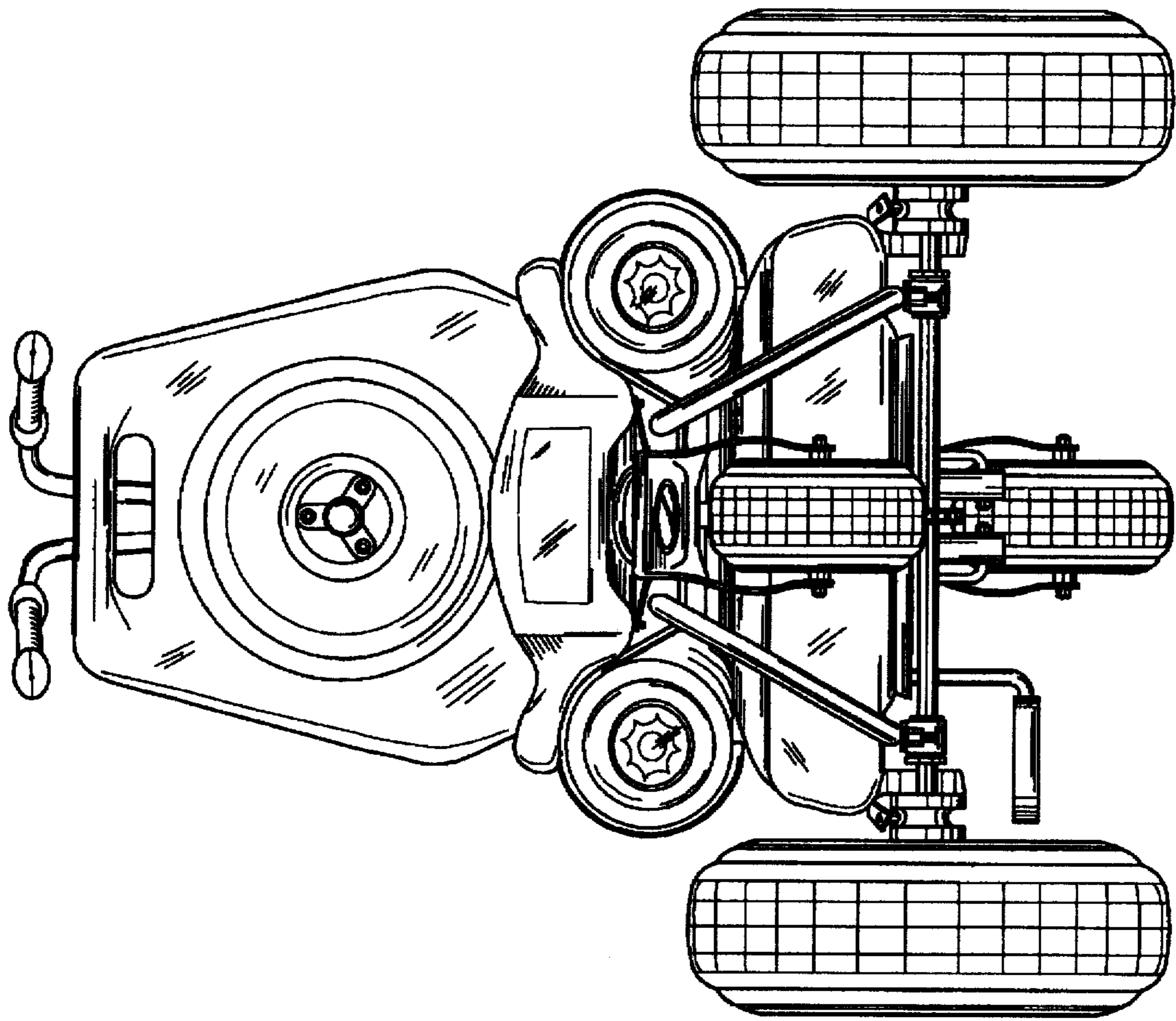


Fig. 4