



US00D385229S

United States Patent [19]
Chan

[11] **Patent Number: Des. 385,229**

[45] **Date of Patent: **Oct. 21, 1997**

[54] **BICYCLE FRAME**

[76] **Inventor: Qian Chan, 13421 Carruth La., Houston, Tex. 77083**

[**] **Term: 14 Years**

[21] **Appl. No.: 48,468**

[22] **Filed: Dec. 29, 1995**

[51] **LOC (6) Cl. 12-11**

[52] **U.S. Cl. D12/111**

[58] **Field of Search D12/111; 280/281.1, 280/288.1-288.3, 284, 275, 276**

[56] **References Cited**

U.S. PATENT DOCUMENTS

D. 321,155	10/1991	Tan	D12/111
5,354,085	10/1994	Gally	280/284
5,356,165	10/1994	Kulhmark et al.	280/275
5,403,028	4/1995	Trimble	280/275
5,452,910	9/1995	Harris	280/284
5,456,482	10/1995	Rau	280/304.4

Primary Examiner—Melody N. Brown
Attorney, Agent, or Firm—Kenneth A. Roddy

[57] **CLAIM**

The ornamental design for a bicycle frame, as shown and described.

DESCRIPTION

FIG. 1 is a side elevation view of a bicycle frame showing my new design;

FIG. 2 is a perspective view thereof shown from the top, rear, and one side;

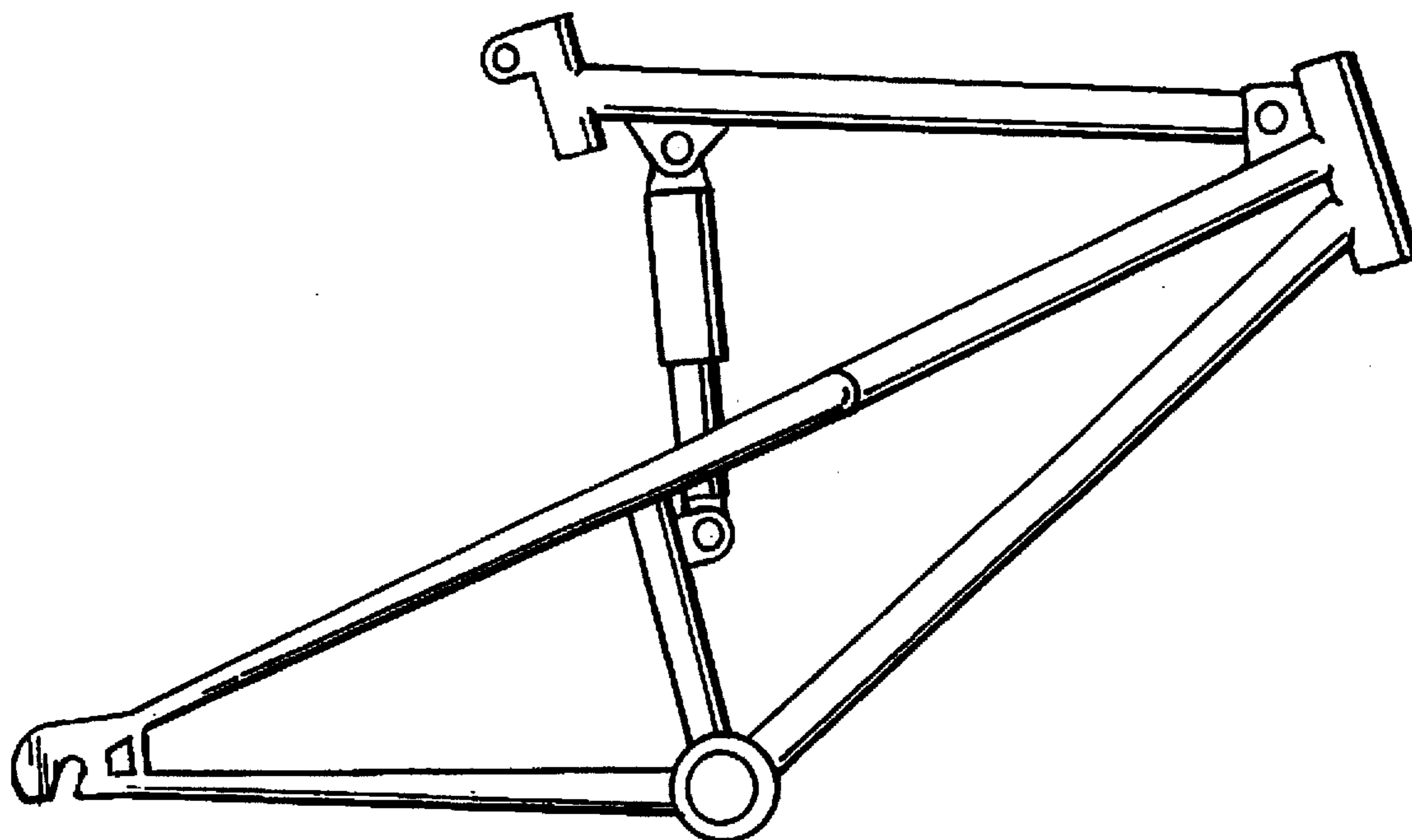
FIG. 3 is a perspective view thereof shown from the bottom, front, and same side as FIG. 2, the opposite side being a mirror image of that shown in FIGS. 1-3;

FIG. 4 is a side elevation view of a second embodiment of a bicycle frame showing my new design;

FIG. 5 is a perspective view of FIG. 4 shown from the top, rear, and one side; and,

FIG. 6 is a perspective view of FIG. 4 shown from the bottom, front, and same side as FIG. 5, the opposite side being a mirror image of that shown in FIGS. 4-6.

1 Claim, 2 Drawing Sheets



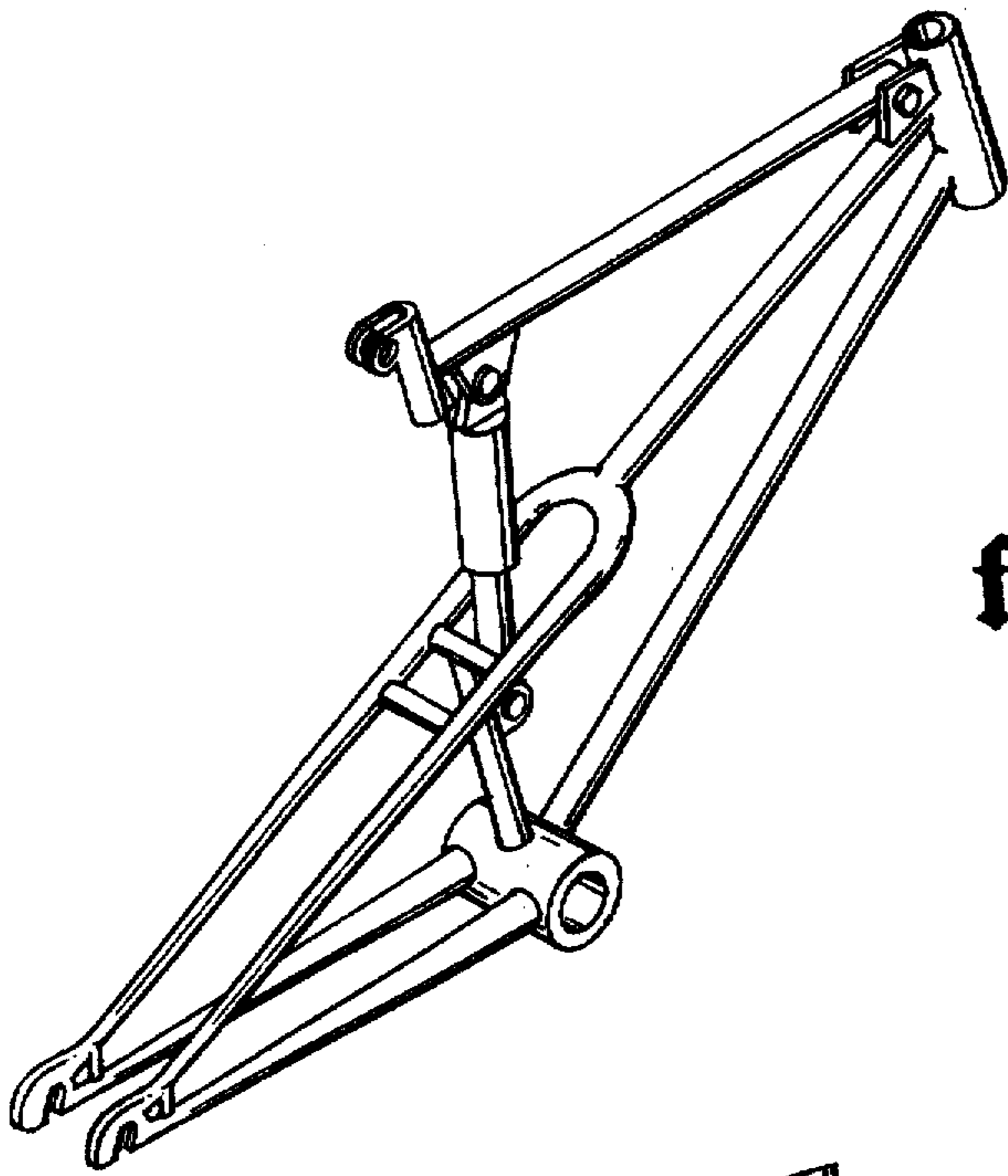


fig.2

fig.1

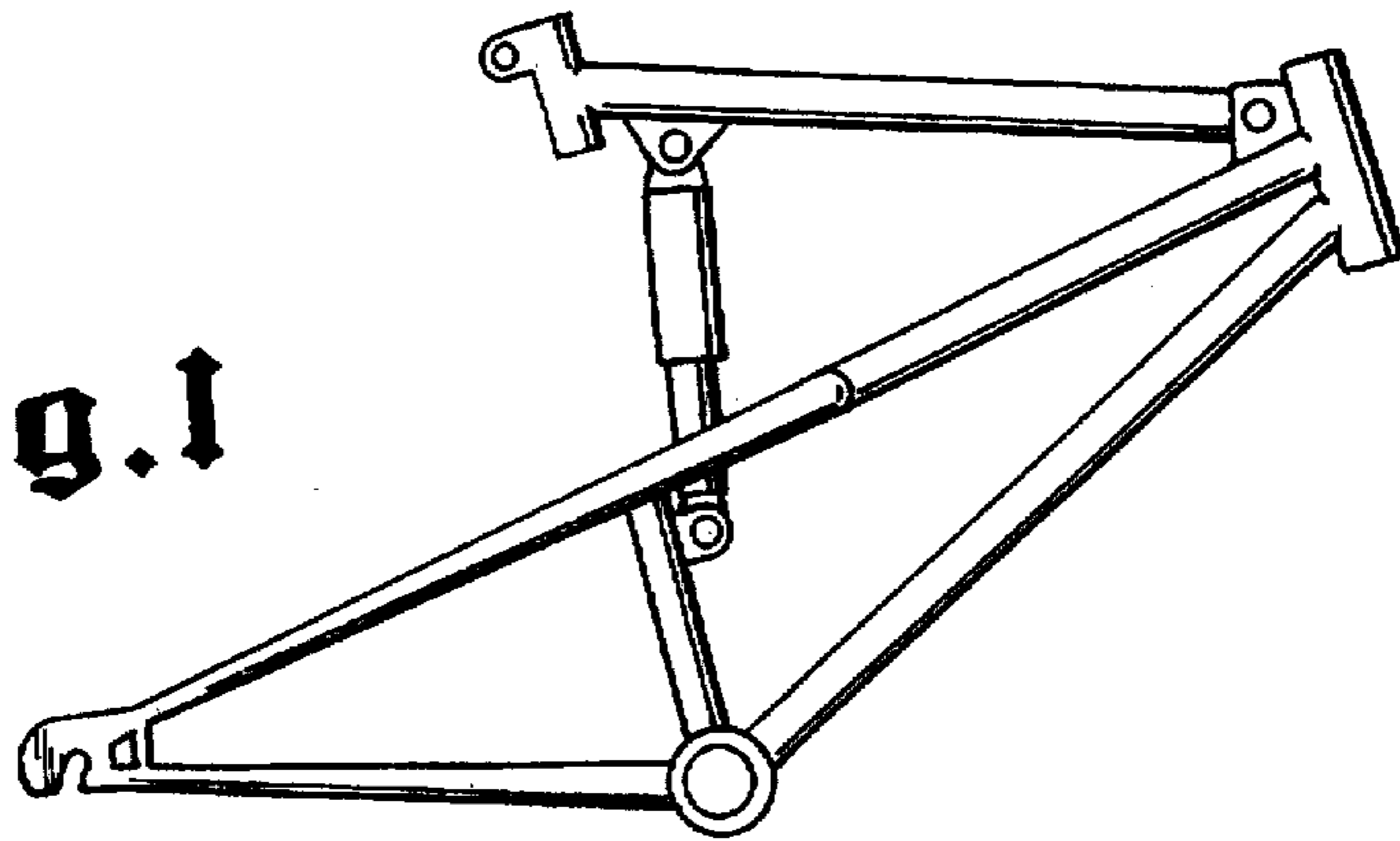
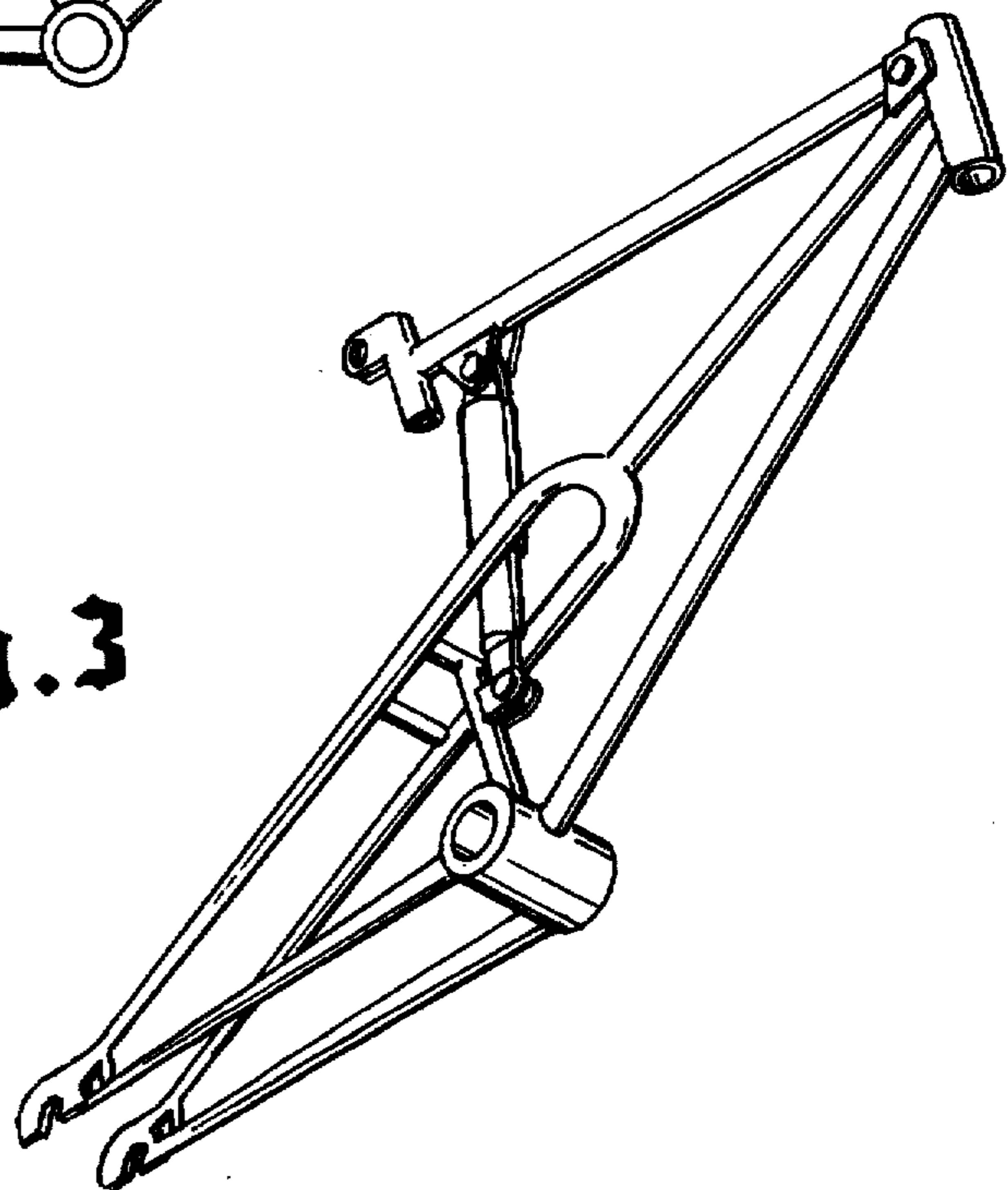


fig.3



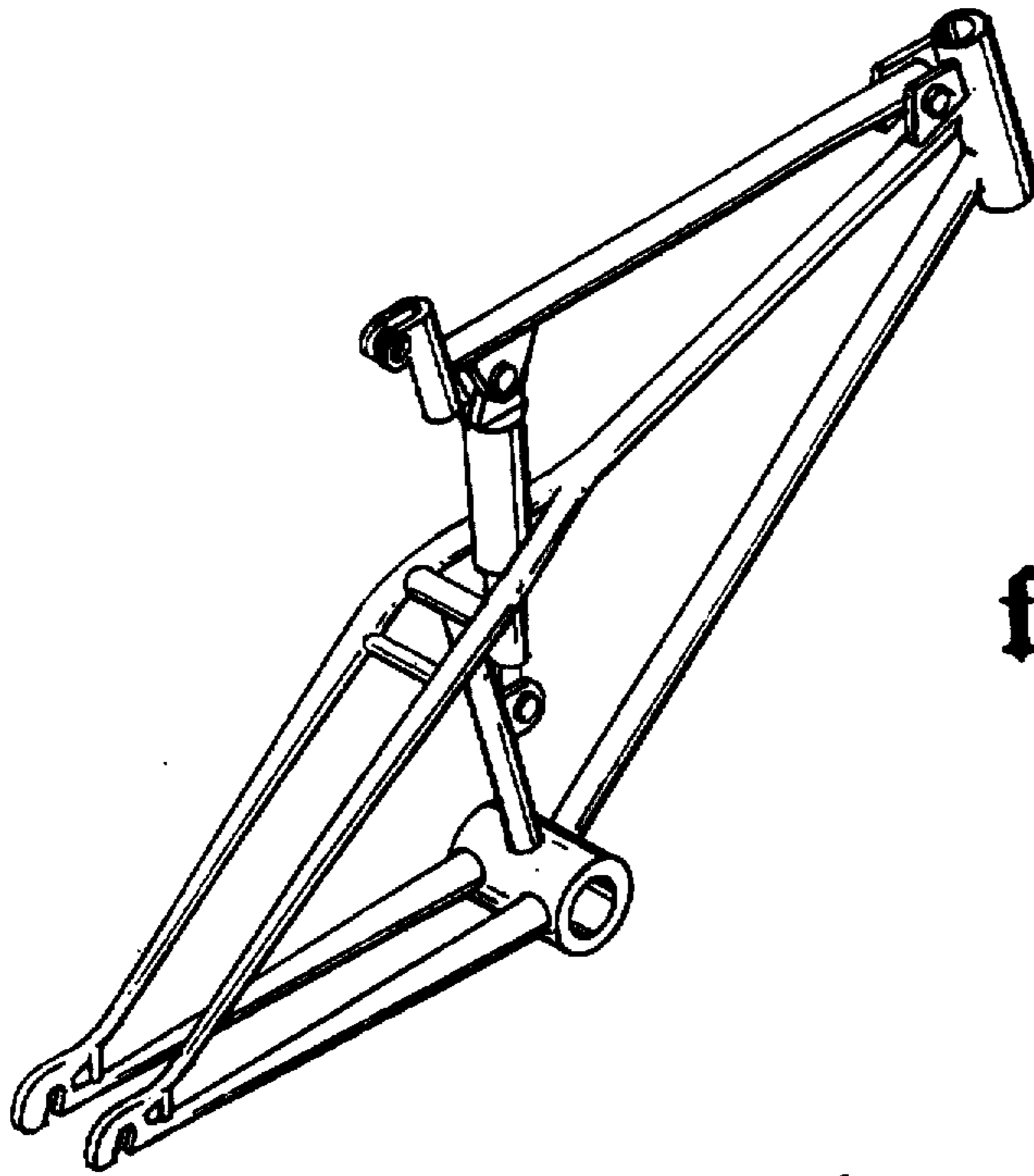


fig. 5

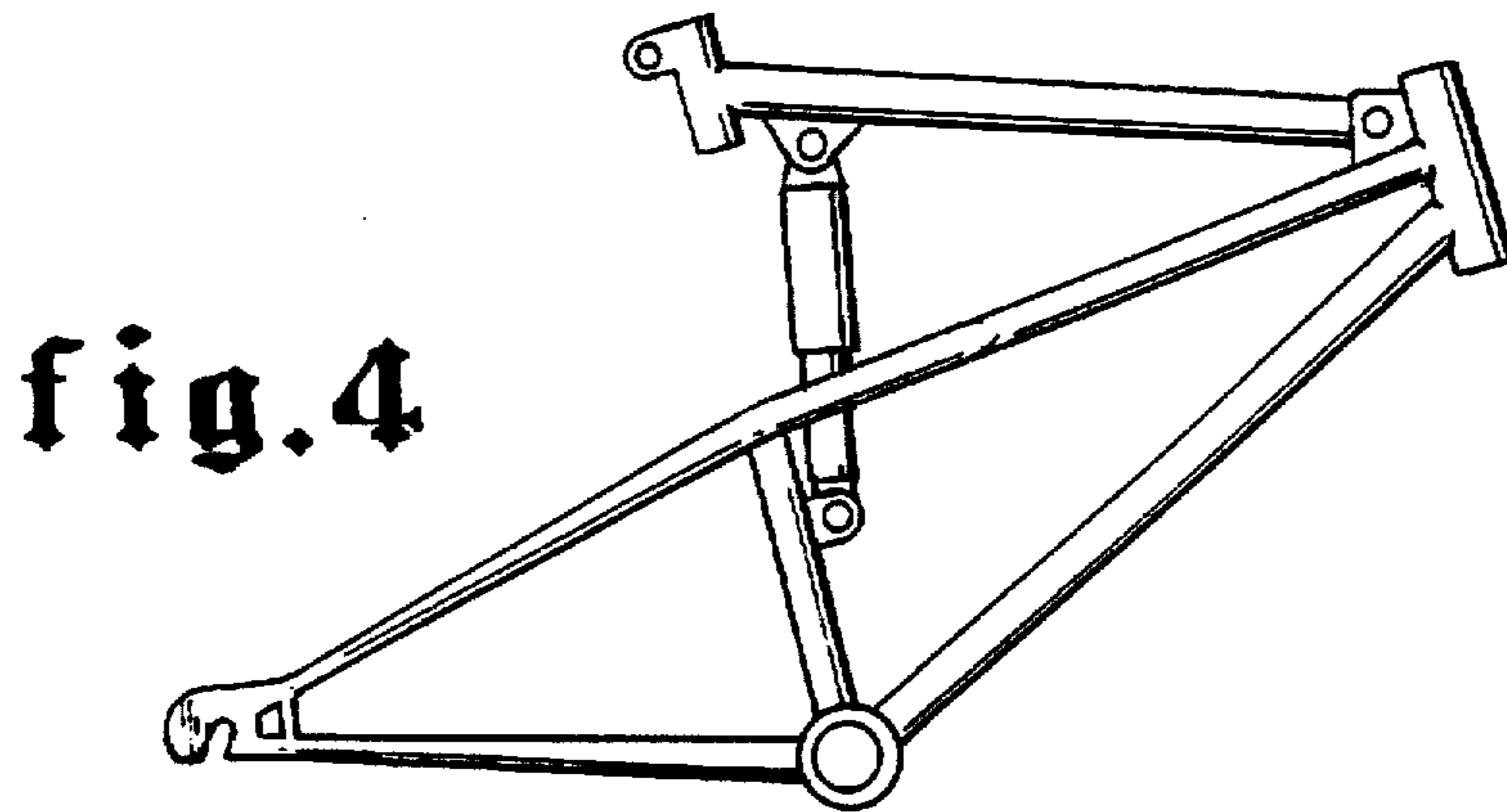


fig. 4

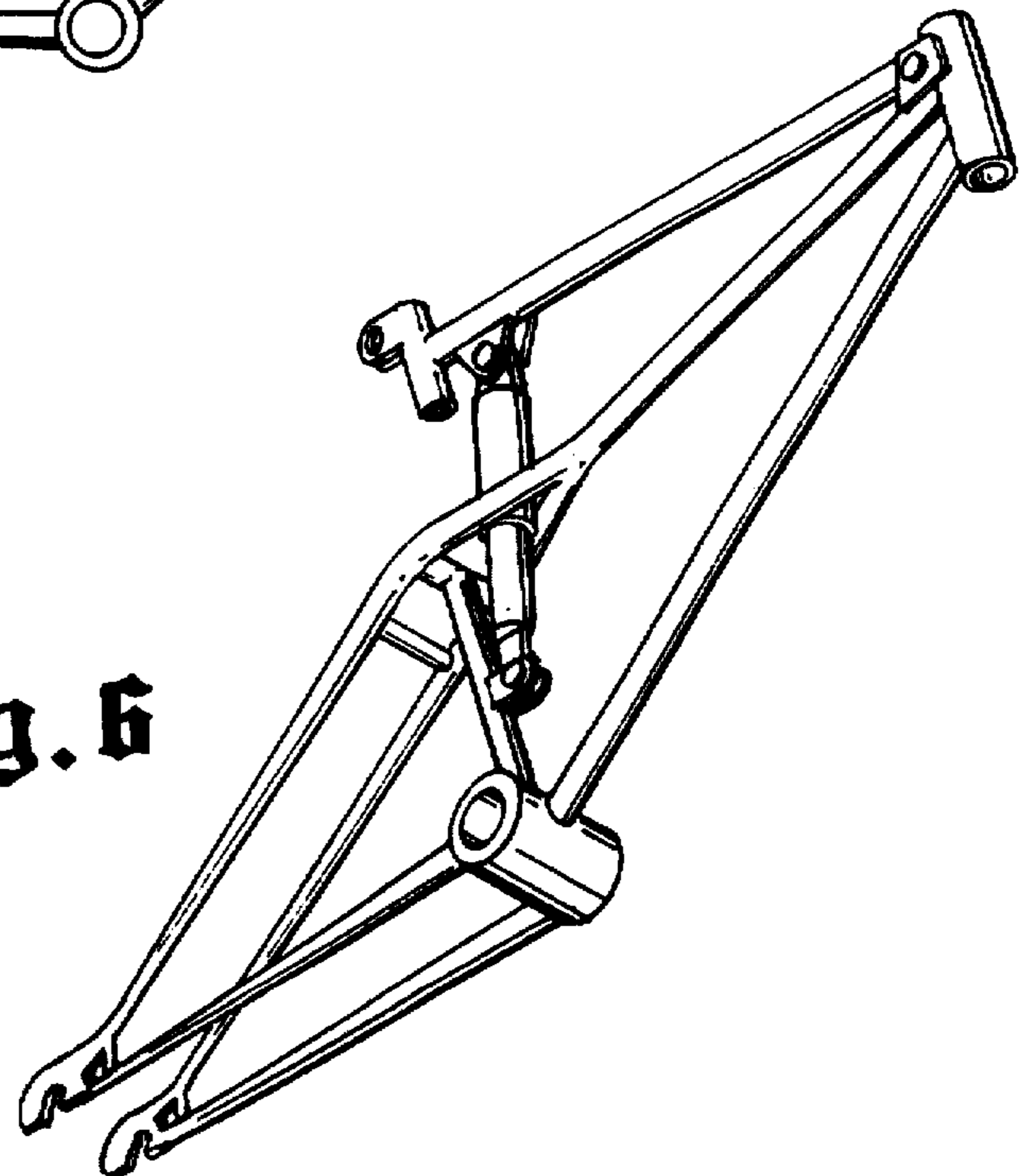


fig. 6