



US00D385225S

United States Patent [19]
Challoner et al.

[11] **Patent Number:** **Des. 385,225**
[45] **Date of Patent:** ****Oct. 21, 1997**

- [54] **QUADRICYCLE FRAME**
- [76] **Inventors:** **Lewis Challoner; D'Ann Challoner,**
both of 935 Avalon Rd., Janesville, Wis.
53546
- [**] **Term:** **14 Years**
- [21] **Appl. No.:** **49,302**
- [22] **Filed:** **Jan. 22, 1996**
- [51] **LOC (6) Cl.** **12-11**
- [52] **U.S. Cl.** **D12/109; D12/107**
- [58] **Field of Search** **D12/111, 107,**
D12/112; 280/209, 231

5,511,809 4/1996 Sagi 280/209

Primary Examiner—Melody N. Brown

[57] **CLAIM**

The ornamental design for a quadricycle frame, as shown and described.

DESCRIPTION

FIG. 1 is a perspective view of a quadricycle frame showing my new design;
 FIG. 2 is a front elevational view thereof;
 FIG. 3 is a rear elevational view thereof;
 FIG. 4 is a bottom plan view thereof;
 FIG. 5 is a top plan view thereof;
 FIG. 6 is a perspective view of a quadricycle frame showing a second embodiment of my new design;
 FIG. 7 is a front elevational view of FIG. 6;
 FIG. 8 is a rear elevational view of FIG. 6;
 FIG. 9 is a bottom plan view of FIG. 6; and,
 FIG. 10 is a top plan view of FIG. 6.

[56] **References Cited**

U.S. PATENT DOCUMENTS

D. 364,835	12/1995	Barney et al.	D12/112
3,870,338	3/1975	Holut	280/209
3,902,738	9/1975	Gandrad	280/209
4,290,620	9/1981	Chika	280/209
4,834,410	5/1989	Parker	280/231 X

1 Claim, 4 Drawing Sheets

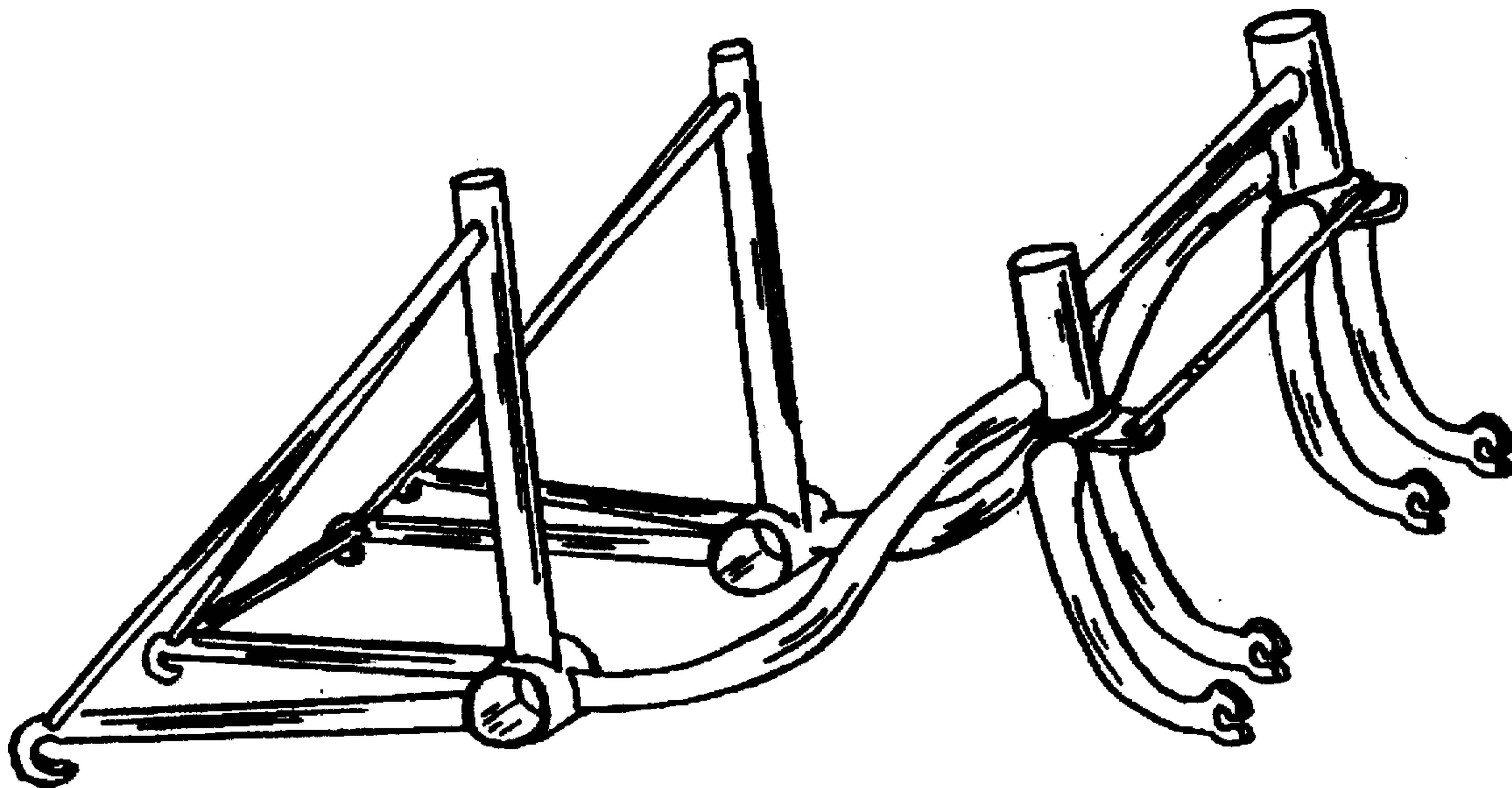


FIG. 1

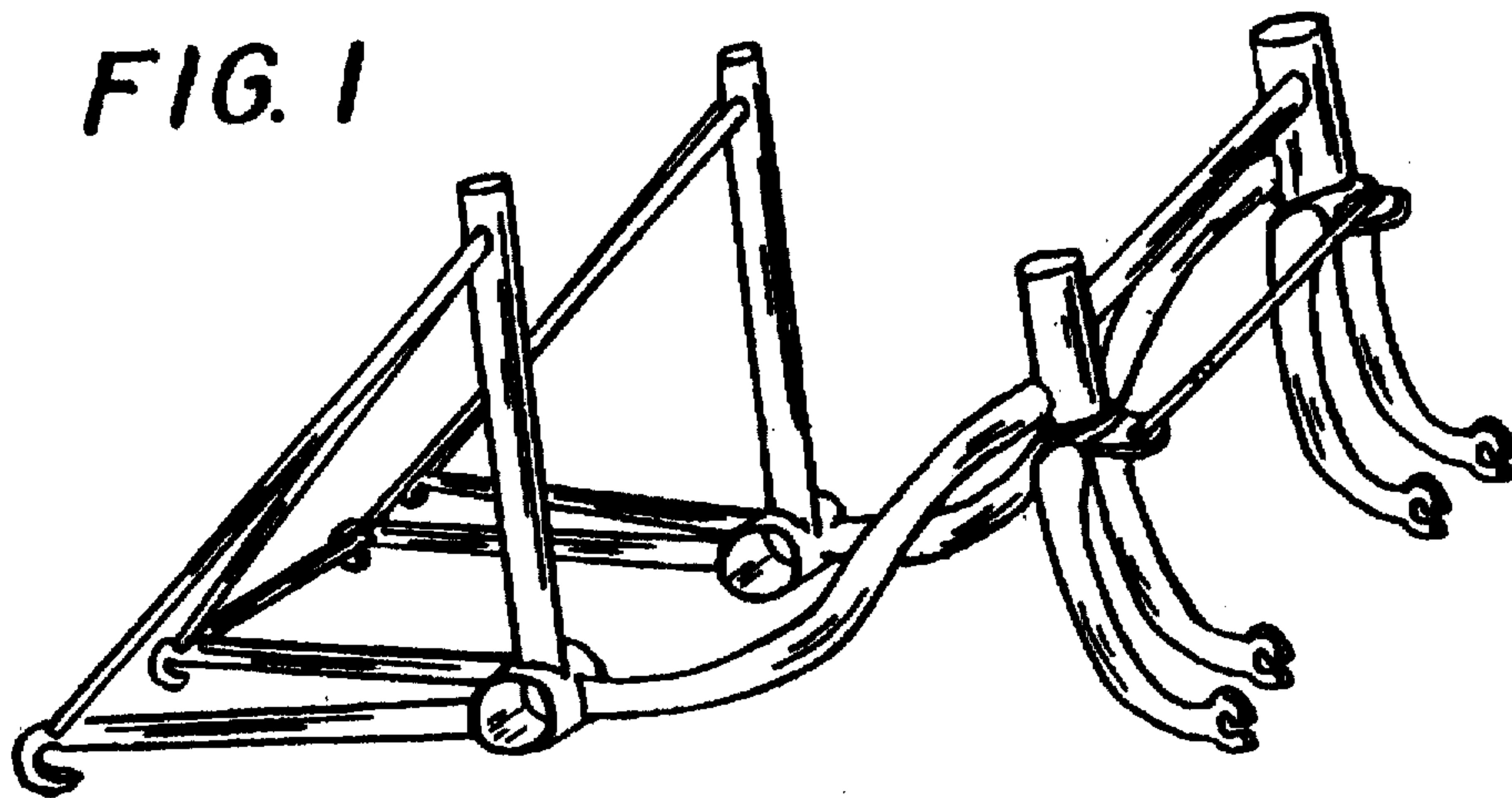


FIG. 2

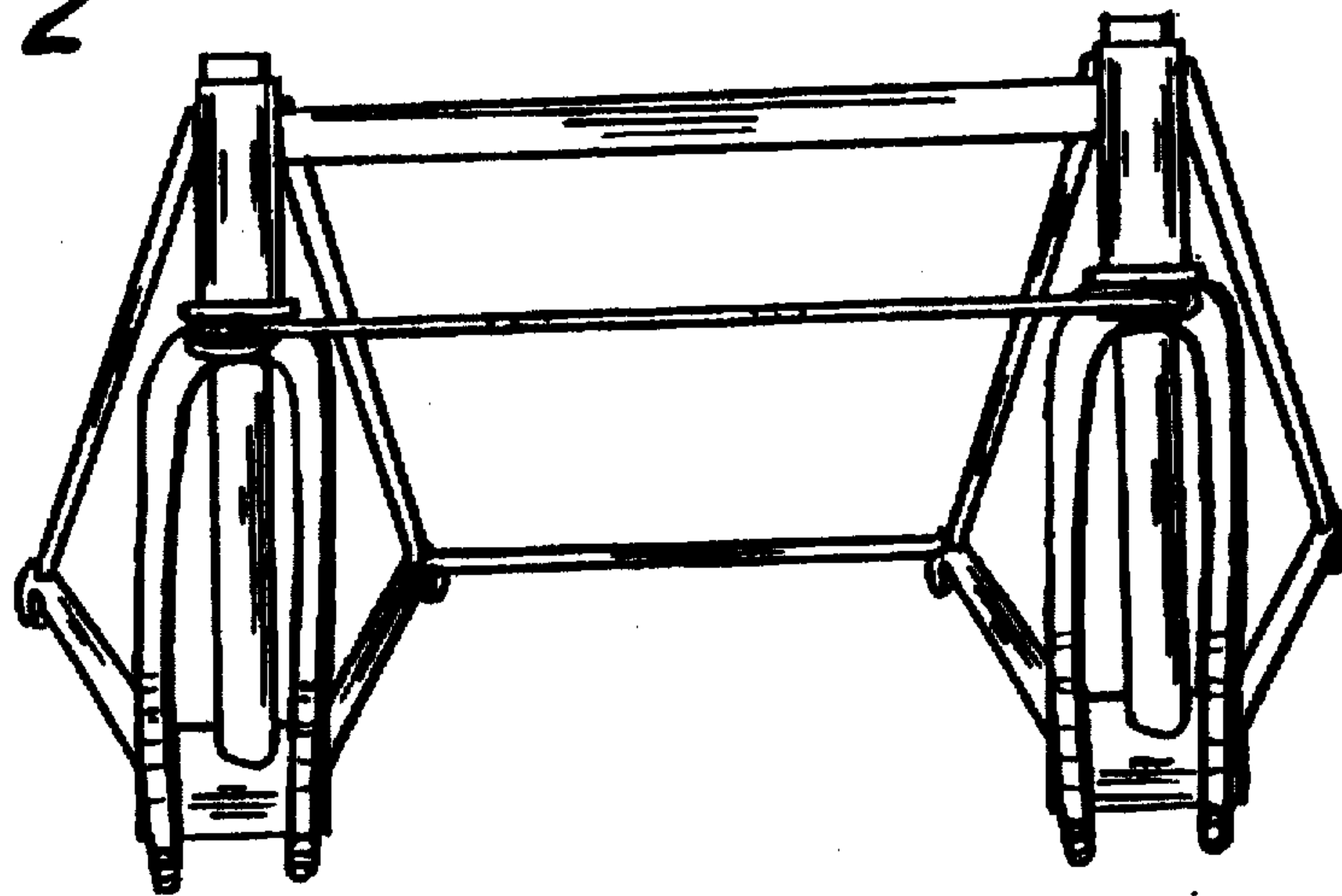


FIG. 3

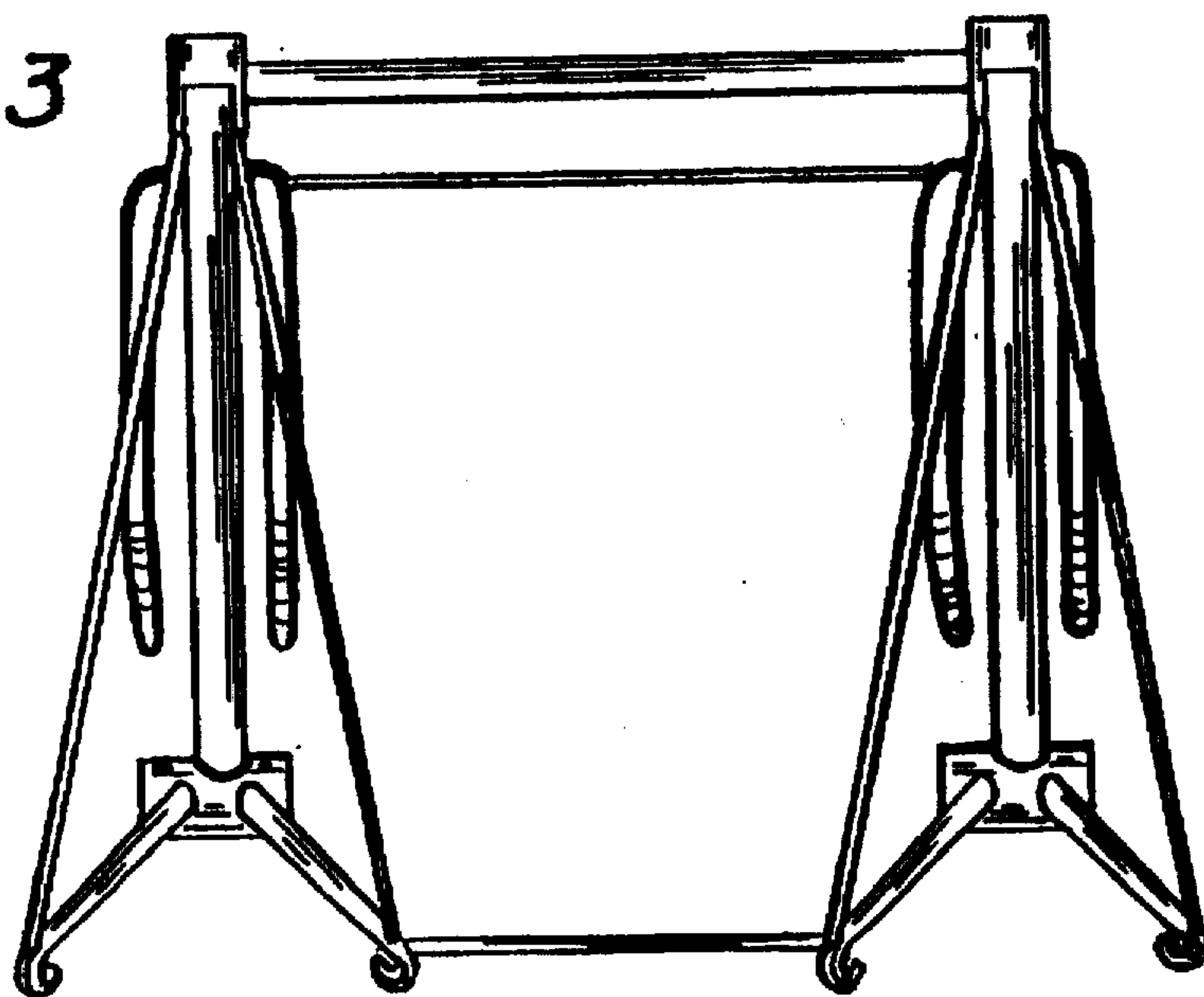


FIG. 4

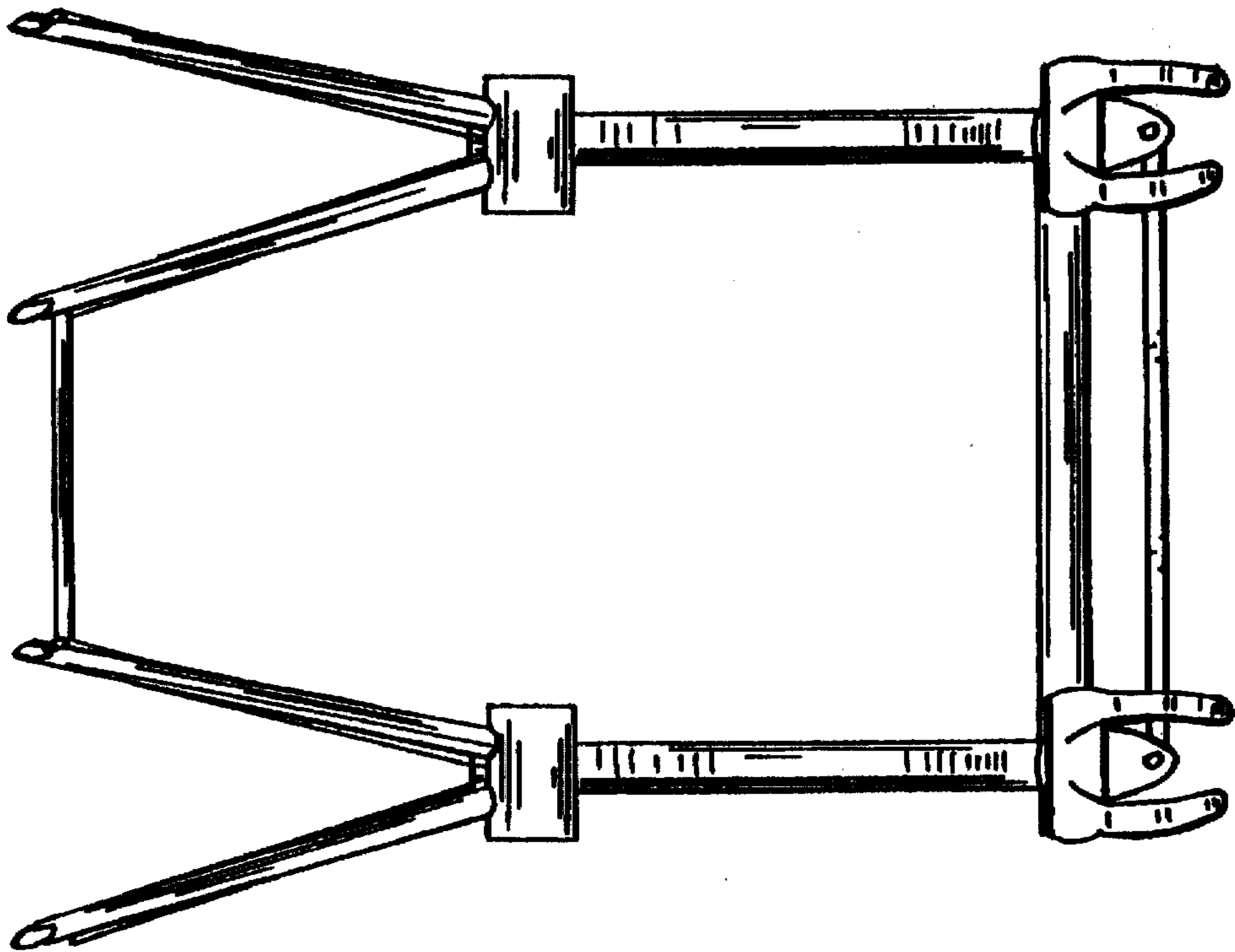


FIG. 5

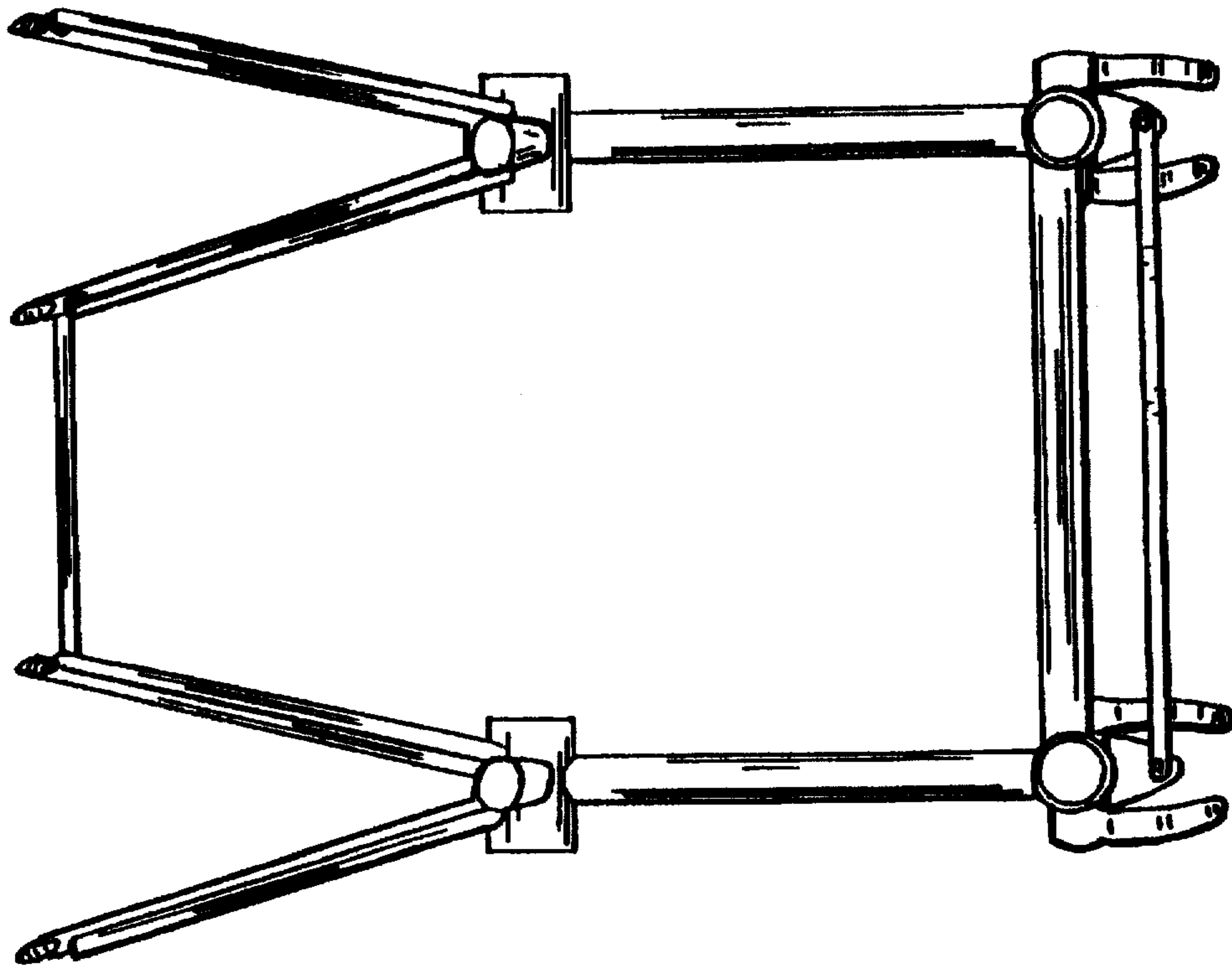


FIG. 6

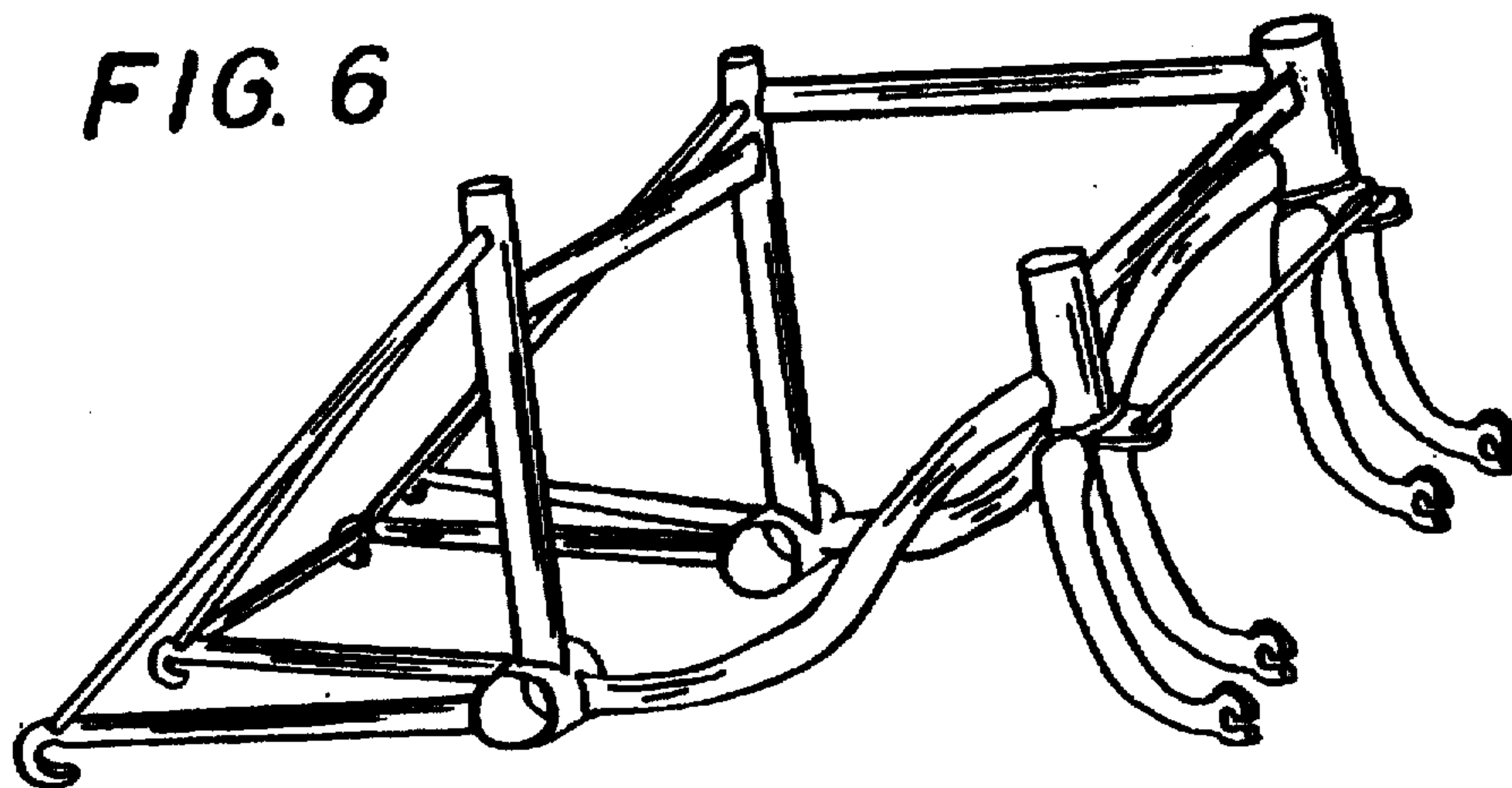


FIG. 7

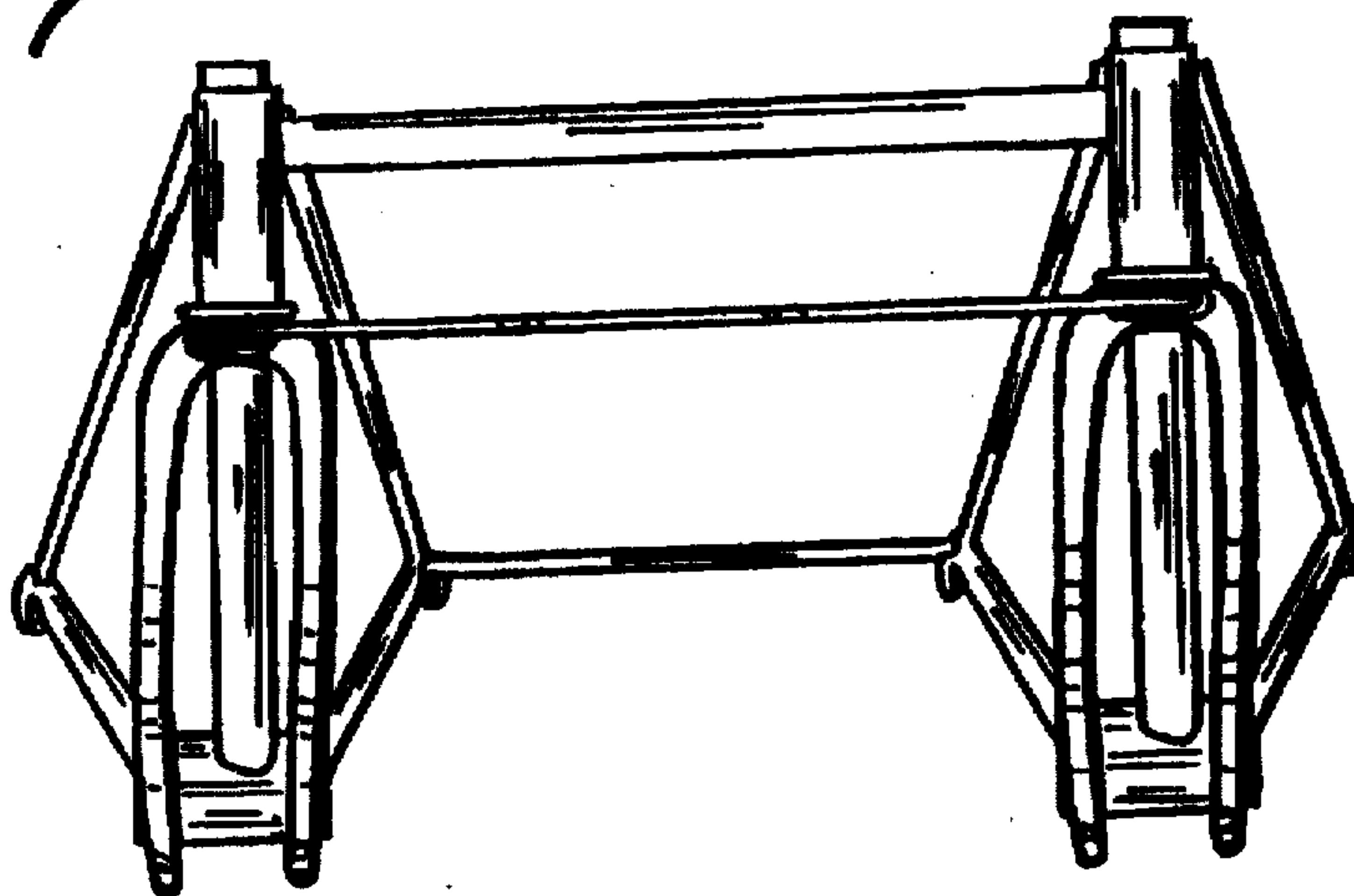


FIG. 8

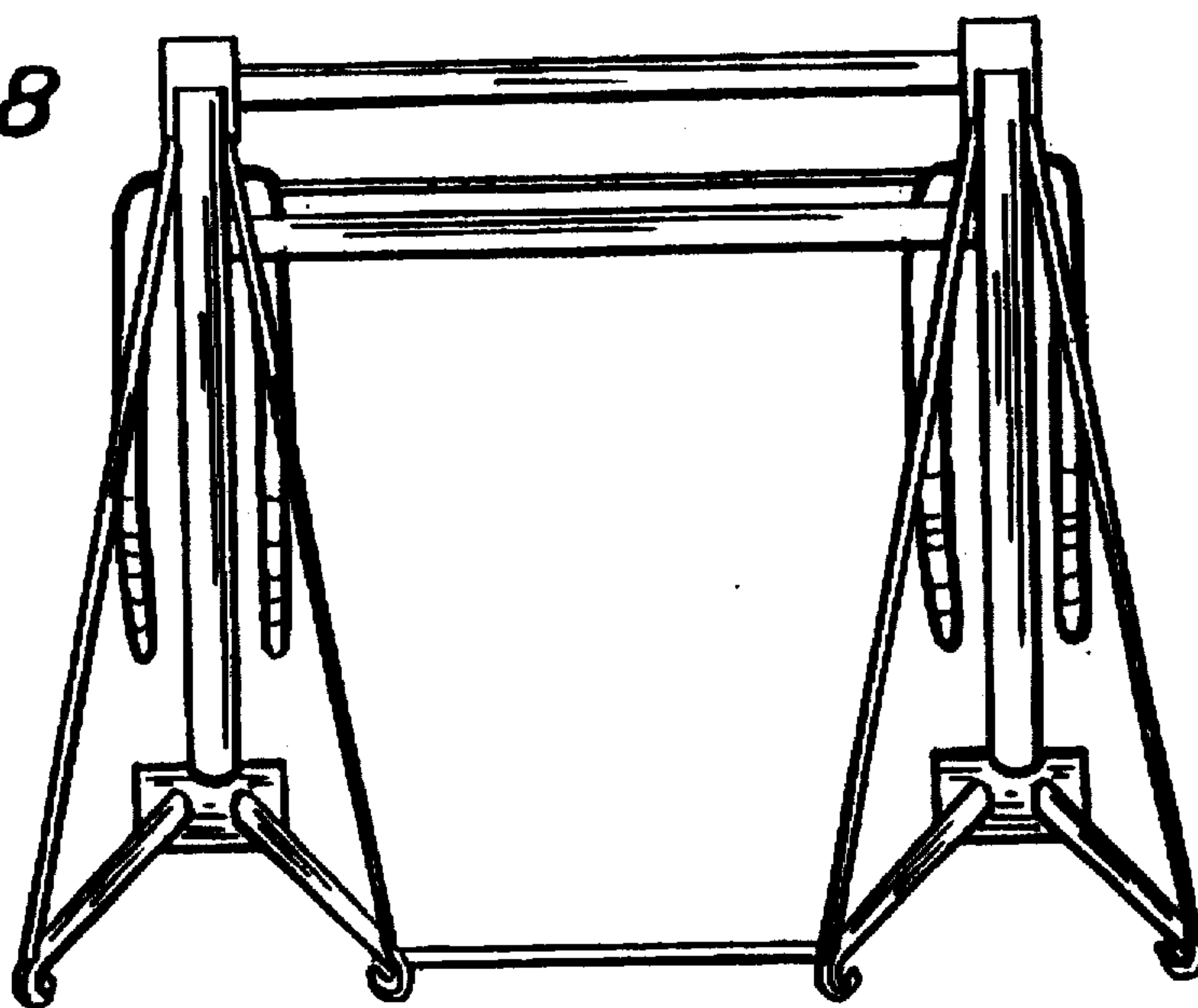


FIG. 9

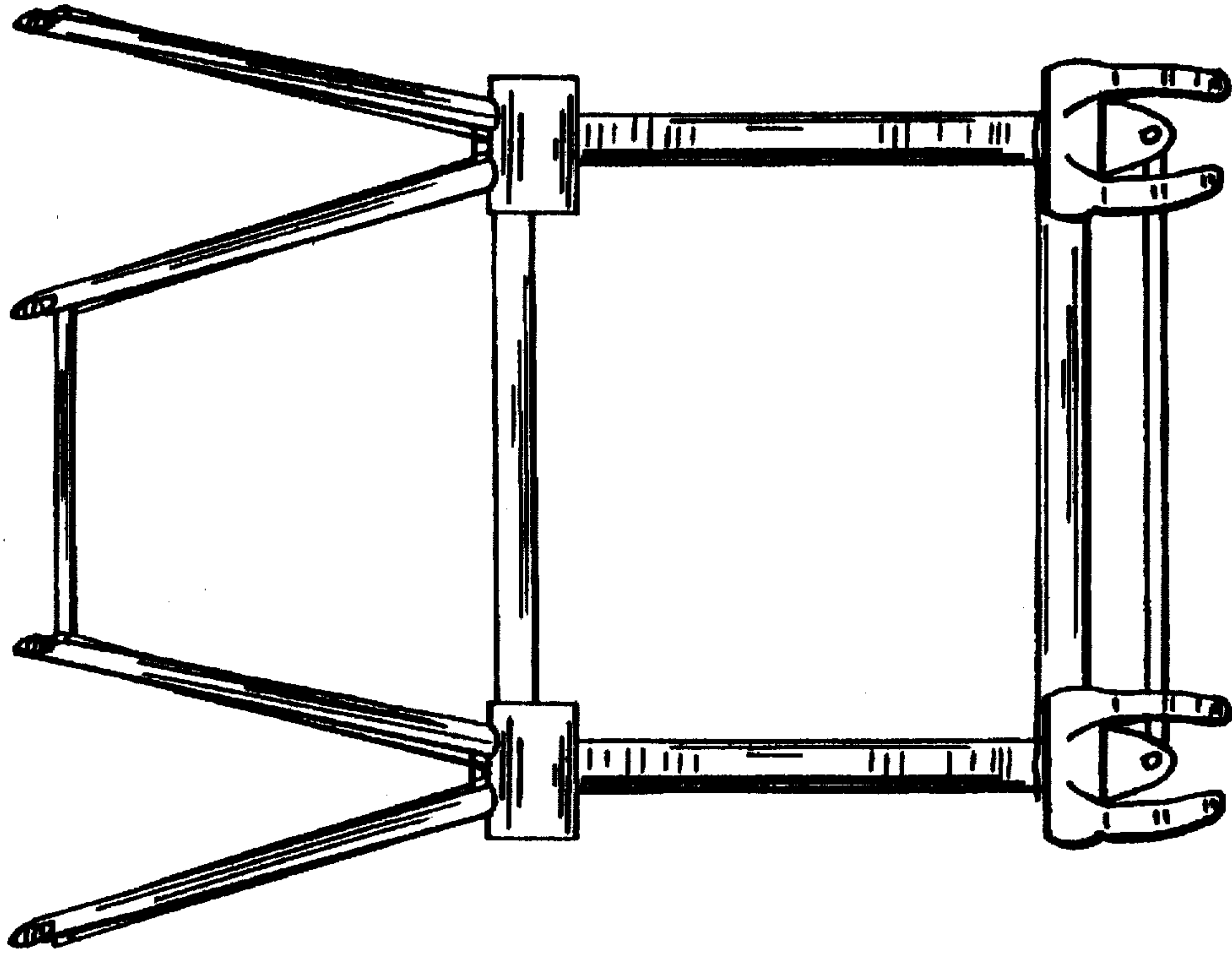


FIG. 10

