



US00D385224S

United States Patent [19]

Aros et al.

[11] Patent Number: Des. 385,224

[45] Date of Patent: **Oct. 21, 1997

[54] TRUCK BODY

[75] Inventors: Carlos Joaquin Aros; Sylvan S. Thronson Aros, both of Bellflower, Calif.

[73] Assignee: Royal Truck Bodies, Inc., Paramount, Calif.

[**] Term: 14 Years

[21] Appl. No.: 55,687

[22] Filed: Jun. 11, 1996

[51] LOC (6) Cl. 12-08

[52] U.S. Cl. D12/98

[58] Field of Search D12/93, 98, 14, D12/96; 296/24.1, 37.6, 183

[56] **References Cited**

U.S. PATENT DOCUMENTS

D. 313,379	1/1991	Machida et al.	D12/98
D. 346,571	5/1994	Lewellen et al.	D12/98
D. 351,817	10/1994	Lewellen et al.	D12/98
D. 352,485	11/1994	Creed et al.	D12/98
D. 372,211	7/1996	Hunter	D12/98

3,322,190	5/1967	Johnson	165/46
5,035,462	7/1991	Page et al.	296/183
5,125,258	6/1992	Warner	52/244
5,228,742	7/1993	Johnson et al.	296/191

Primary Examiner—Melody N. Brown
Attorney, Agent, or Firm—Oppenheimer Poms Smith

[57] **CLAIM**

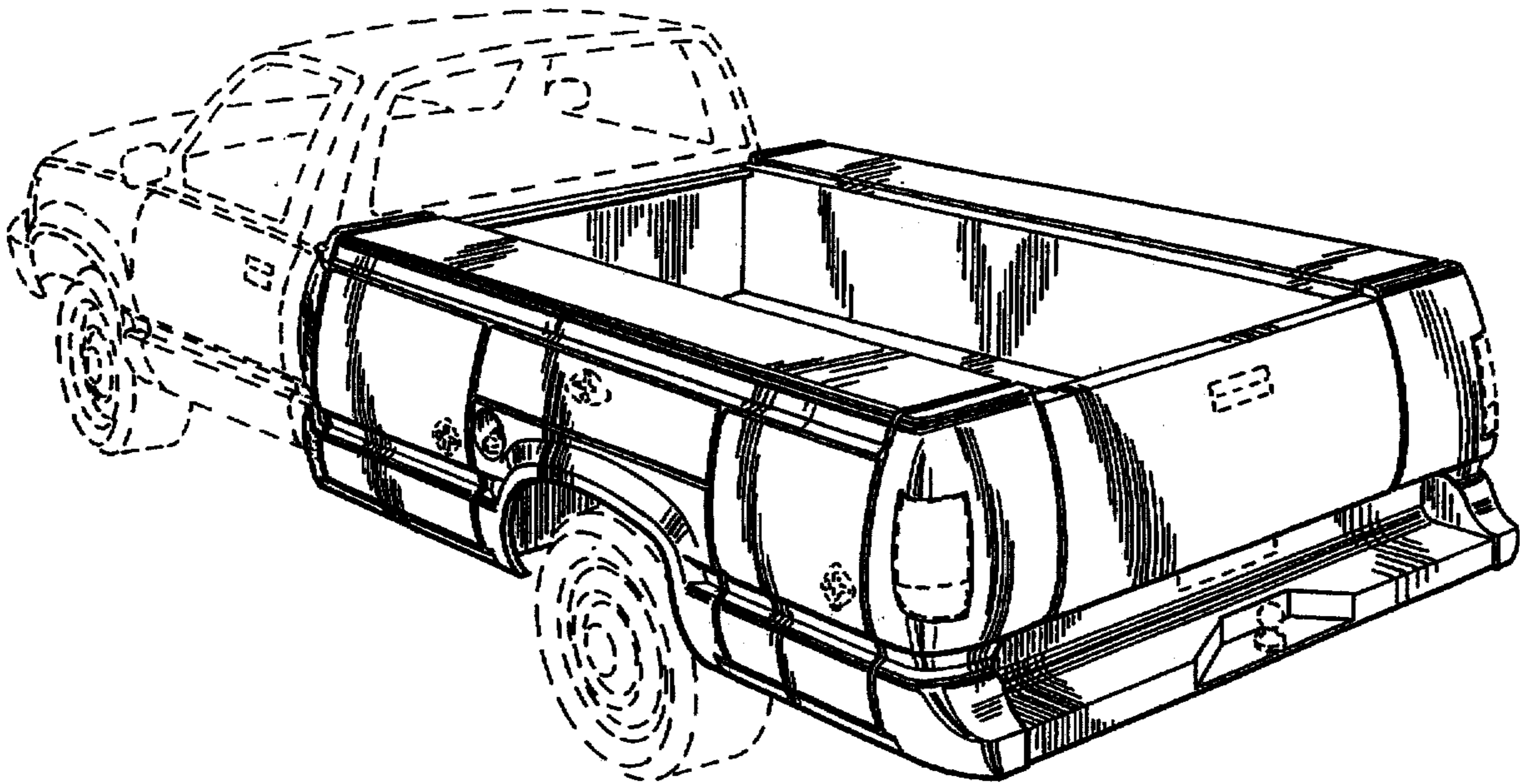
The ornamental design for a truck body, as shown and described.

DESCRIPTION

FIG. 1 is a rear perspective view of a truck body showing our new design;
FIG. 2 is a front perspective view of the truck body of FIG. 1;
FIG. 3 is a side elevation view thereof;
FIG. 4 is a front elevation view thereof;
FIG. 5 is a rear elevation view thereof;
FIG. 6 is a bottom plan view thereof; and,
FIG. 7 is a top plan view thereof.

The broken lines shown in FIGS. 1-7 are for illustrative purposes only and form no part of the claimed design.

1 Claim, 5 Drawing Sheets



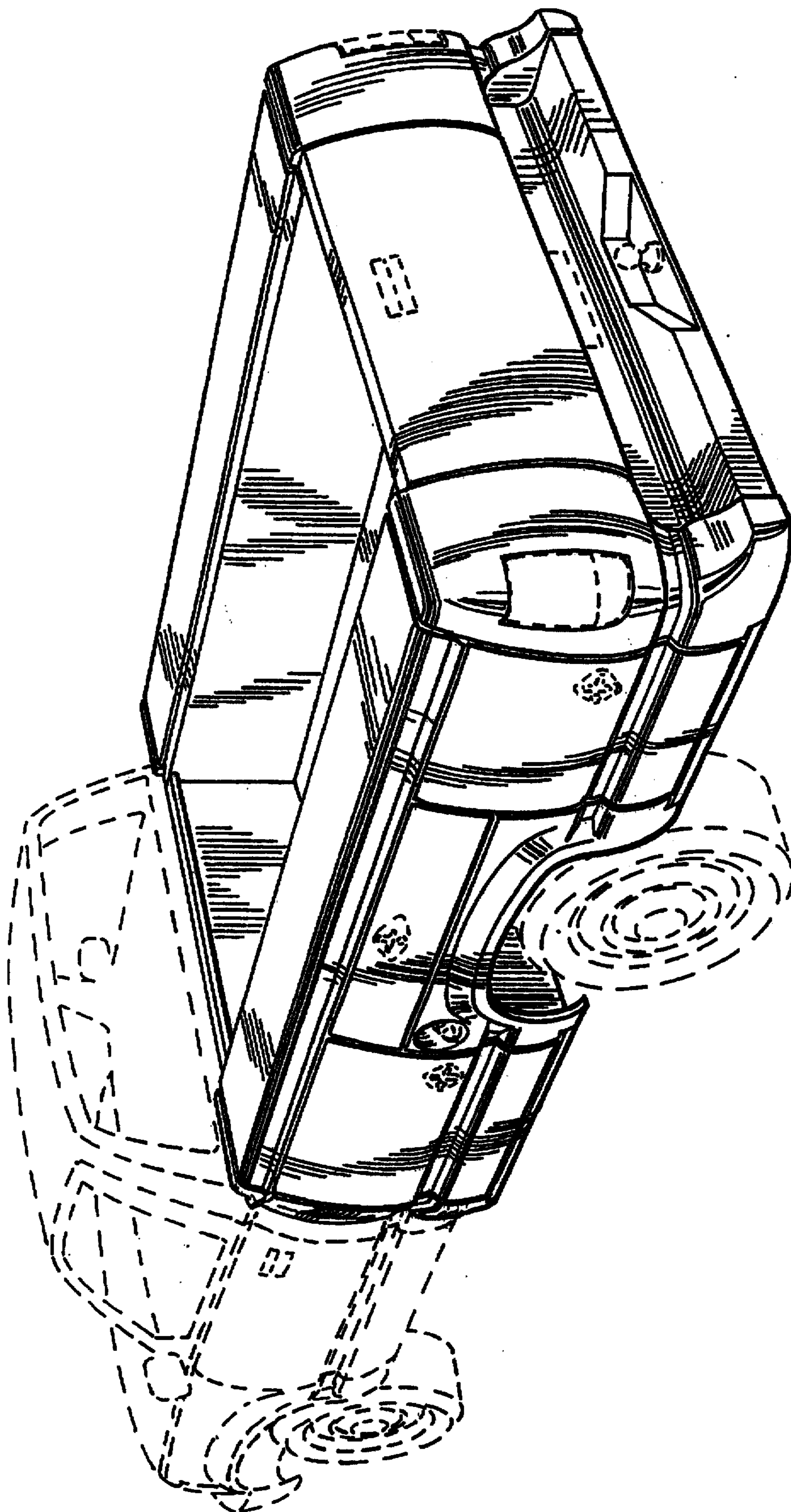


Fig. 1

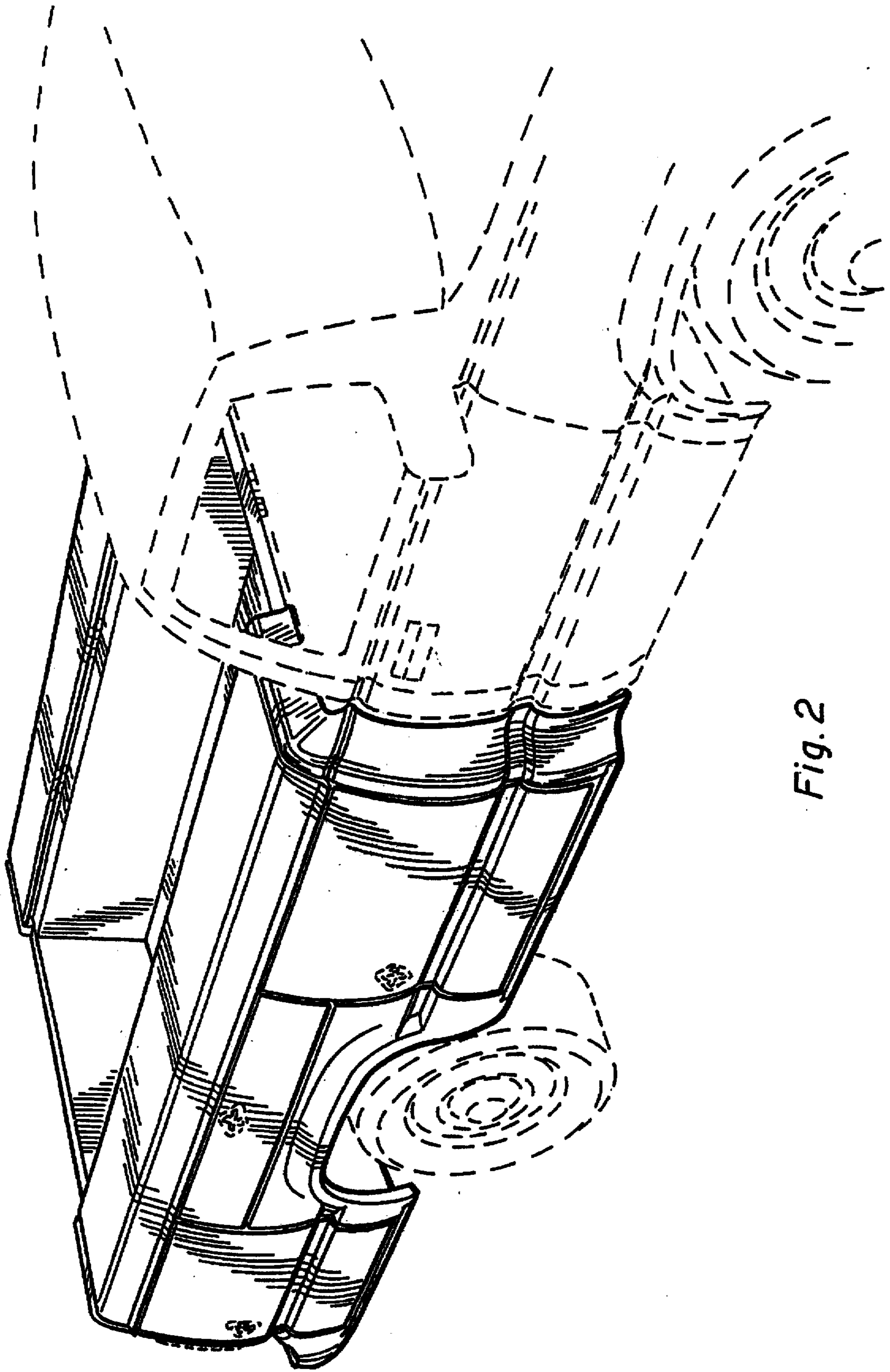


Fig. 2

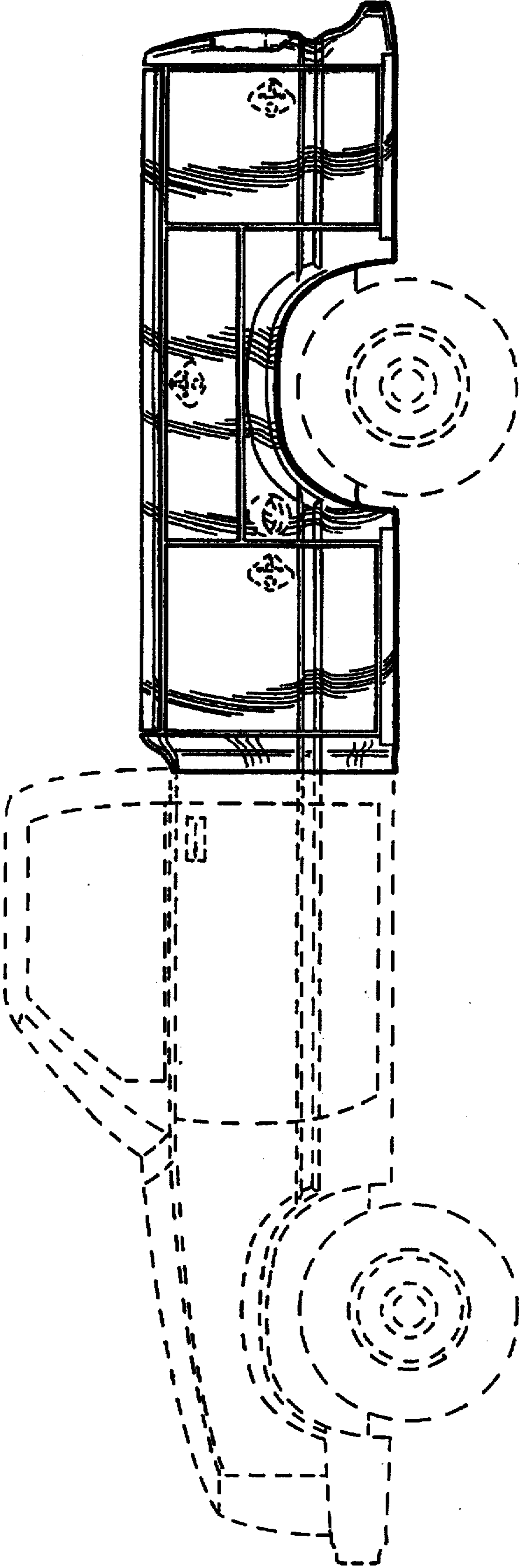


Fig. 3

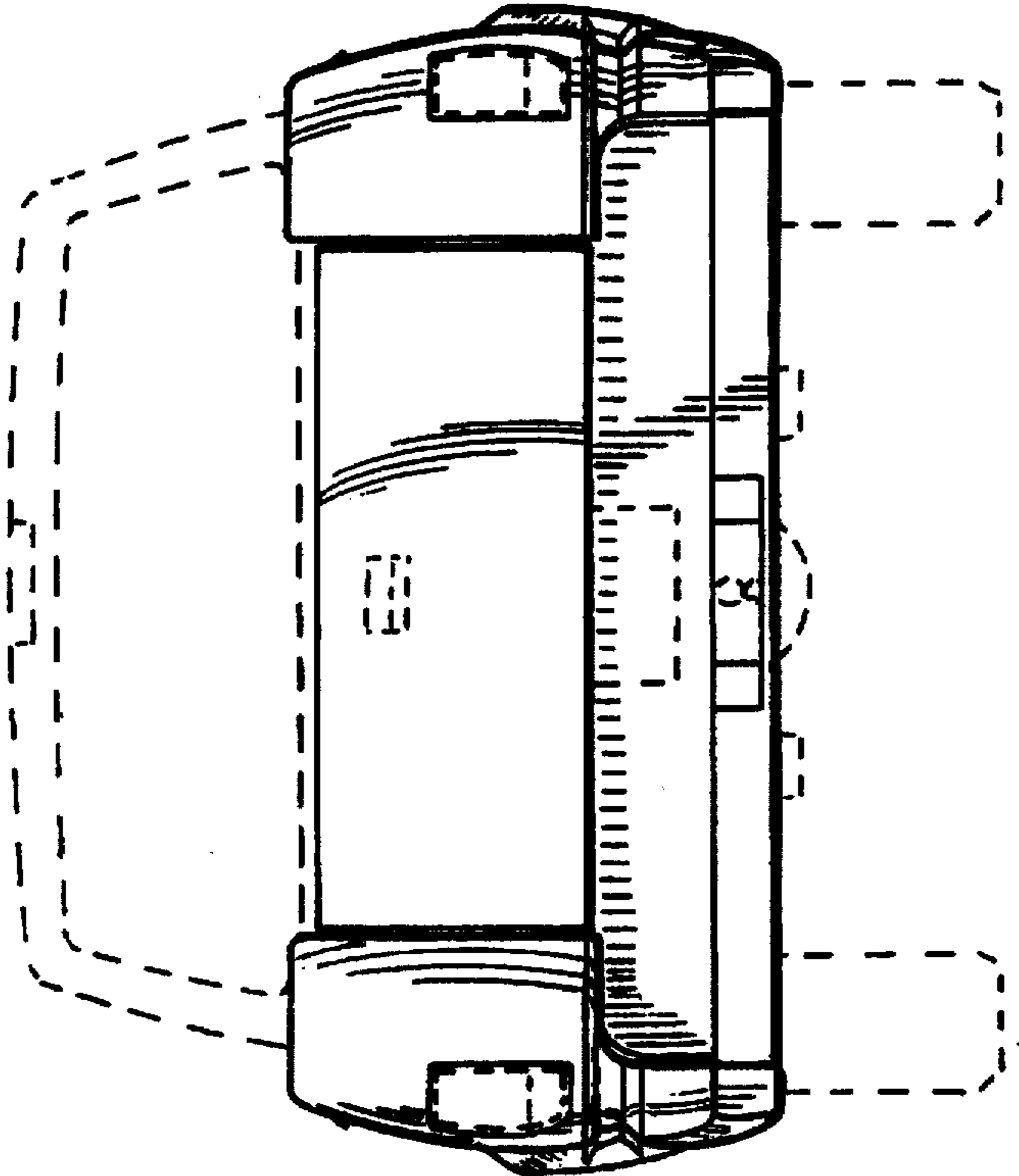


Fig. 5

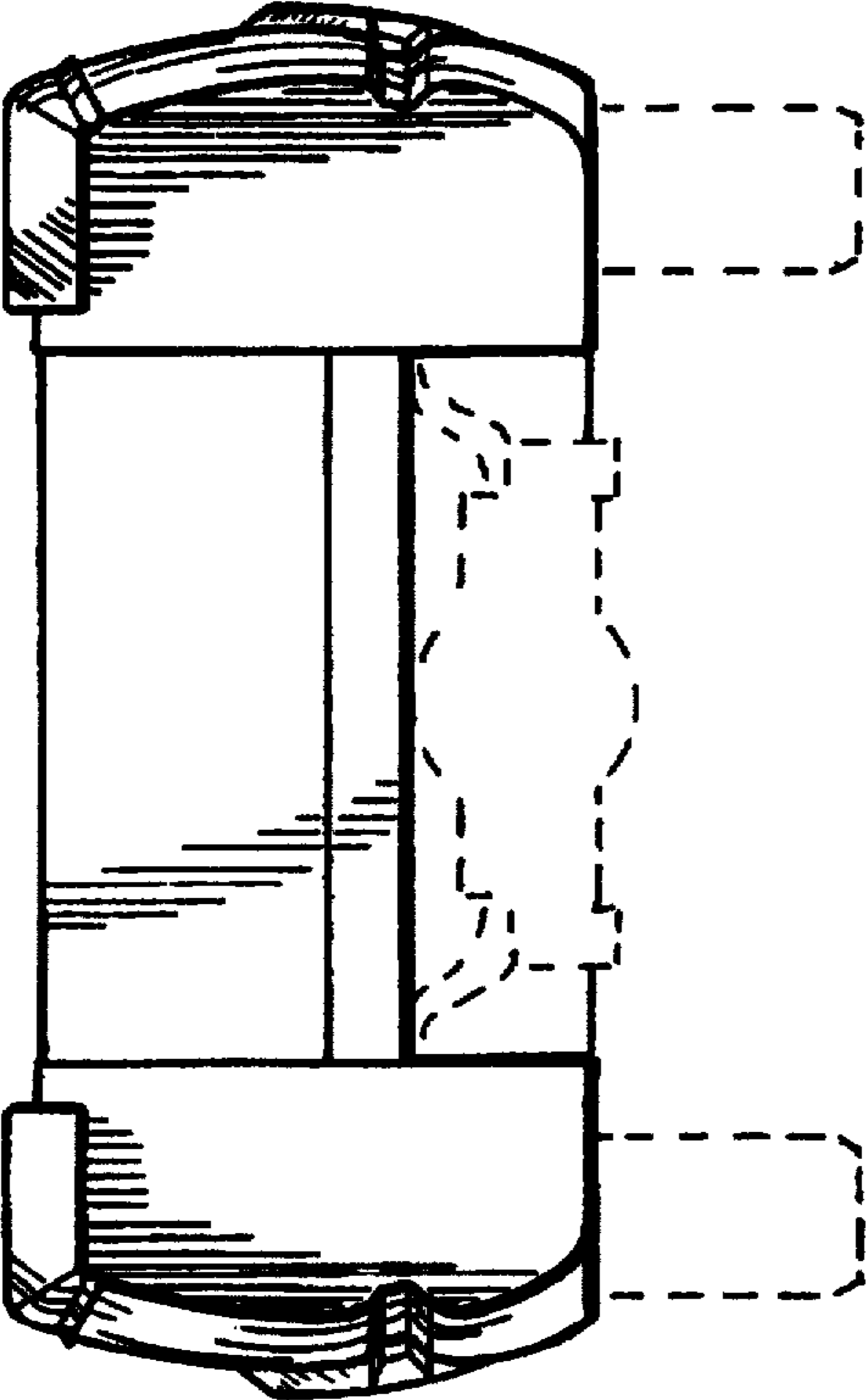


Fig. 4

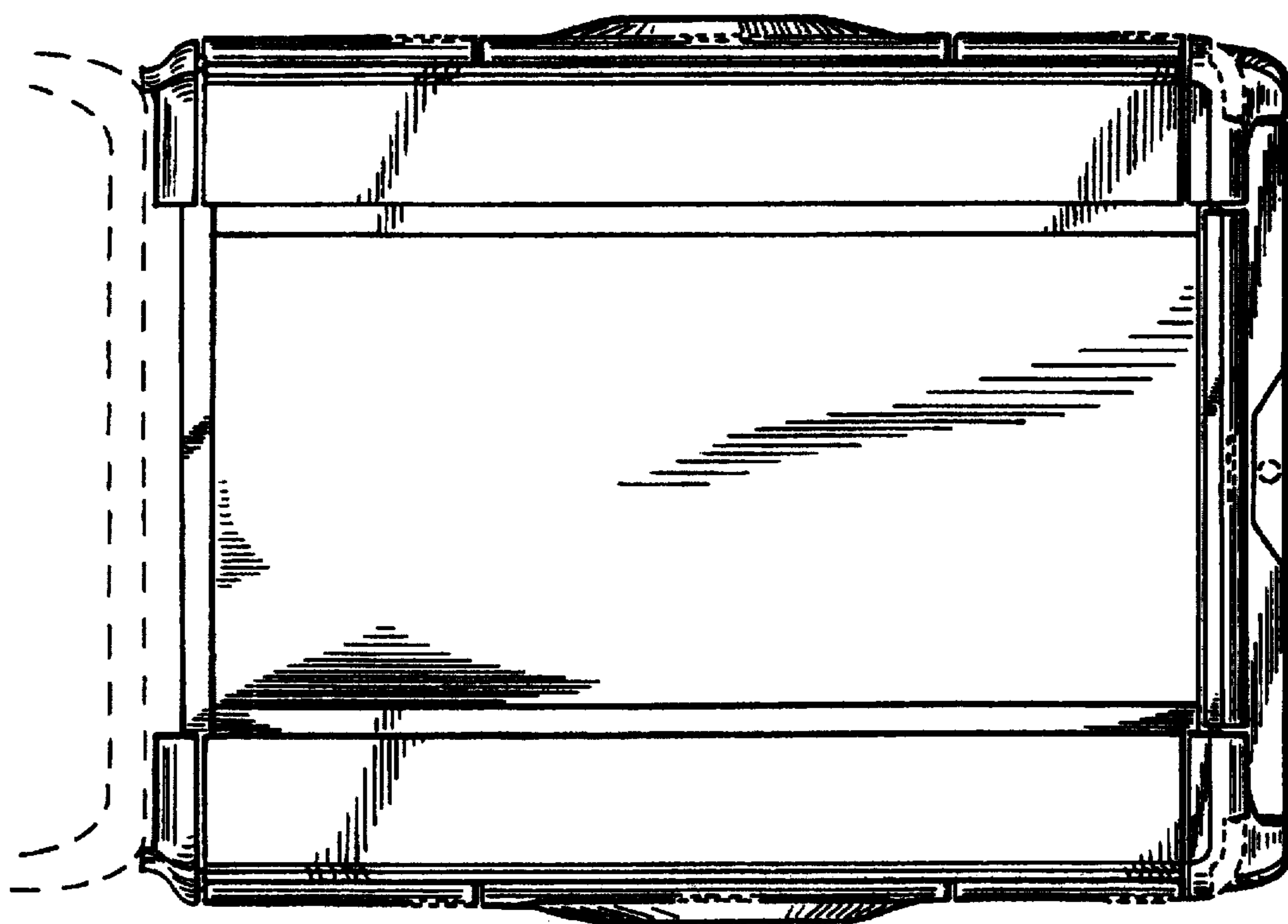


Fig. 7

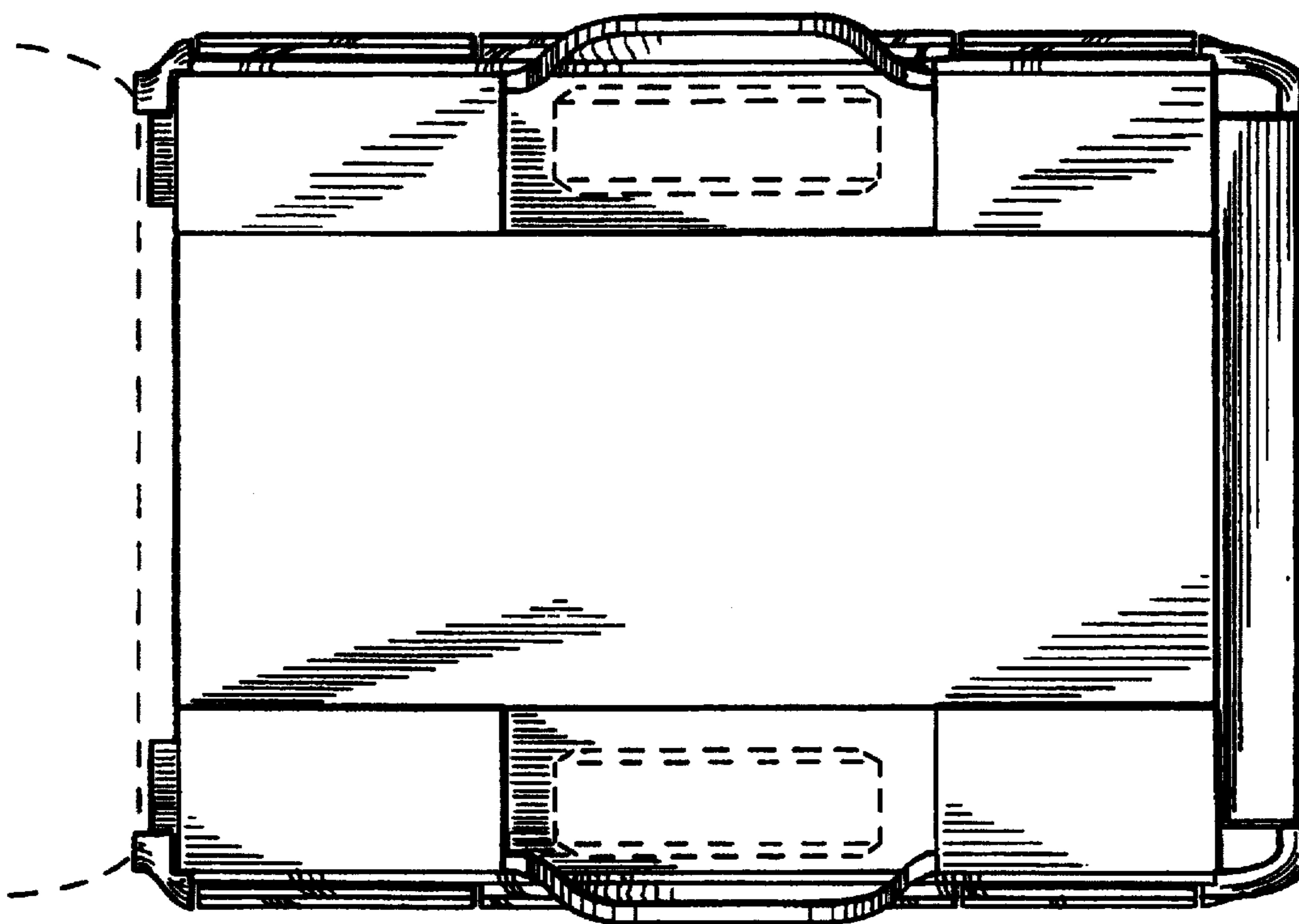


Fig. 6