



US00D385213S

United States Patent [19]

McAllister

[11] Patent Number: Des. 385,213

[45] Date of Patent: ***Oct. 21, 1997

- [54] **ELONGATE PLANTER FOR MOUNTING ALONG RAILING**
- [75] Inventor: **John Scott McAllister**, Ontario, Canada
- [73] Assignee: **Akryl Industries Inc.**, Rexdale, Canada
- [*] Notice: The portion of the term of this patent subsequent to Feb. 20, 2010, has been disclaimed.
- [**] Term: **14 Years**
- [21] Appl. No.: **53,727**
- [22] Filed: **Apr. 29, 1996**
- [51] LOC (6) Cl. **11-02**
- [52] U.S. Cl. **D11/156**
- [58] Field of Search **D11/143-145, D11/152-156; D6/403, 556; 47/66, 67, 68, 69, 75, 71, 79, 39, 40, 41.01, 44, 46; 206/423; 248/27.8**

[56] References Cited

U.S. PATENT DOCUMENTS

D. 259,868	7/1981	Julinot	D11/143 X
D. 296,089	6/1988	Pouliot	D11/143 X
D. 300,732	4/1989	Carlson	D11/152
D. 367,243	2/1996	McAllister	D11/152
4,204,367	5/1980	Cone	47/71
4,559,738	12/1985	Helfman	47/66

OTHER PUBLICATIONS

Contico 1996 Lawn & Garden, p. 6 Universal Deck Box. Bennington Potters; May 1994; #2052 Elongated Planter.

Primary Examiner—Caron D. Veynar
Attorney, Agent, or Firm—Barrigar & Moss

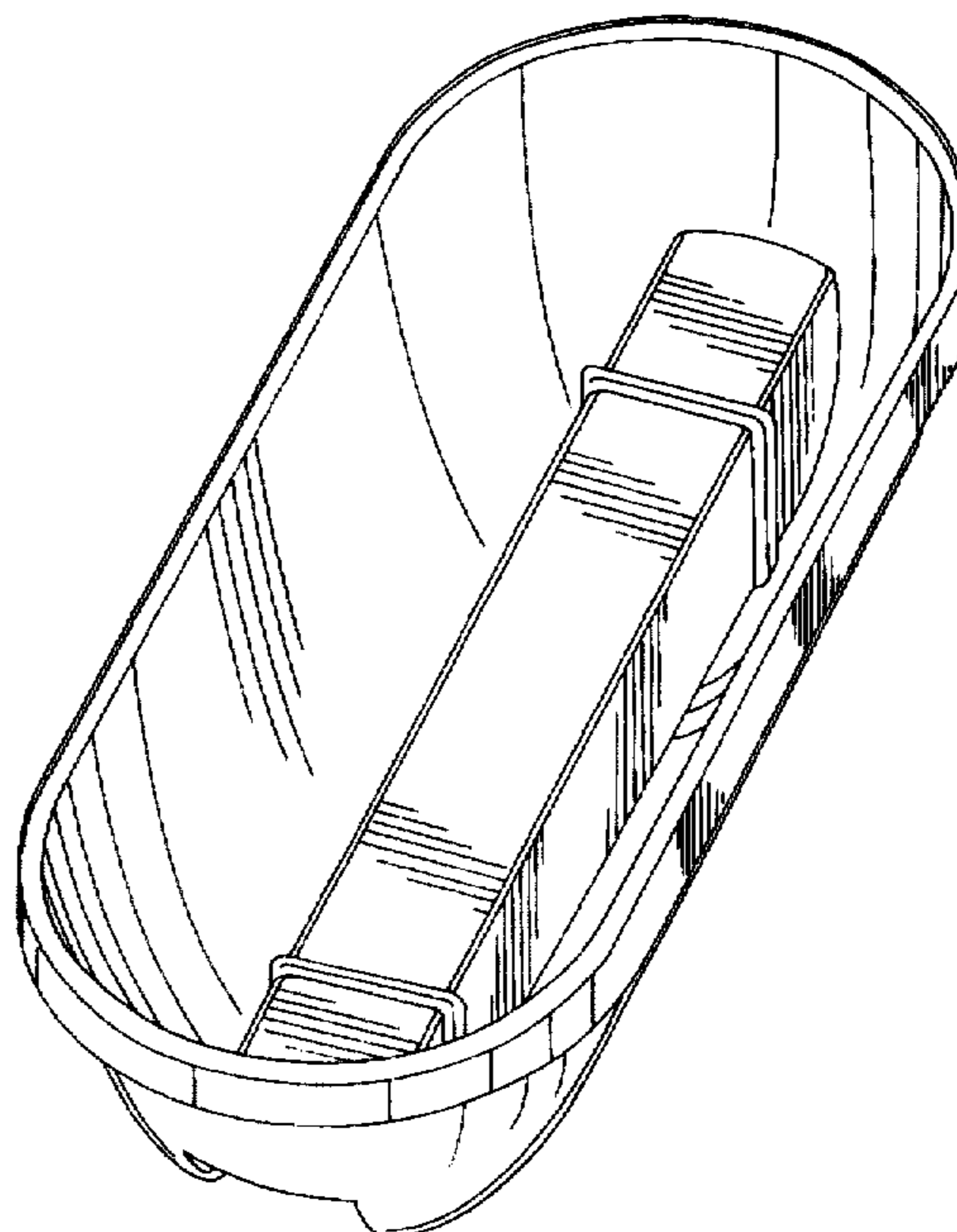
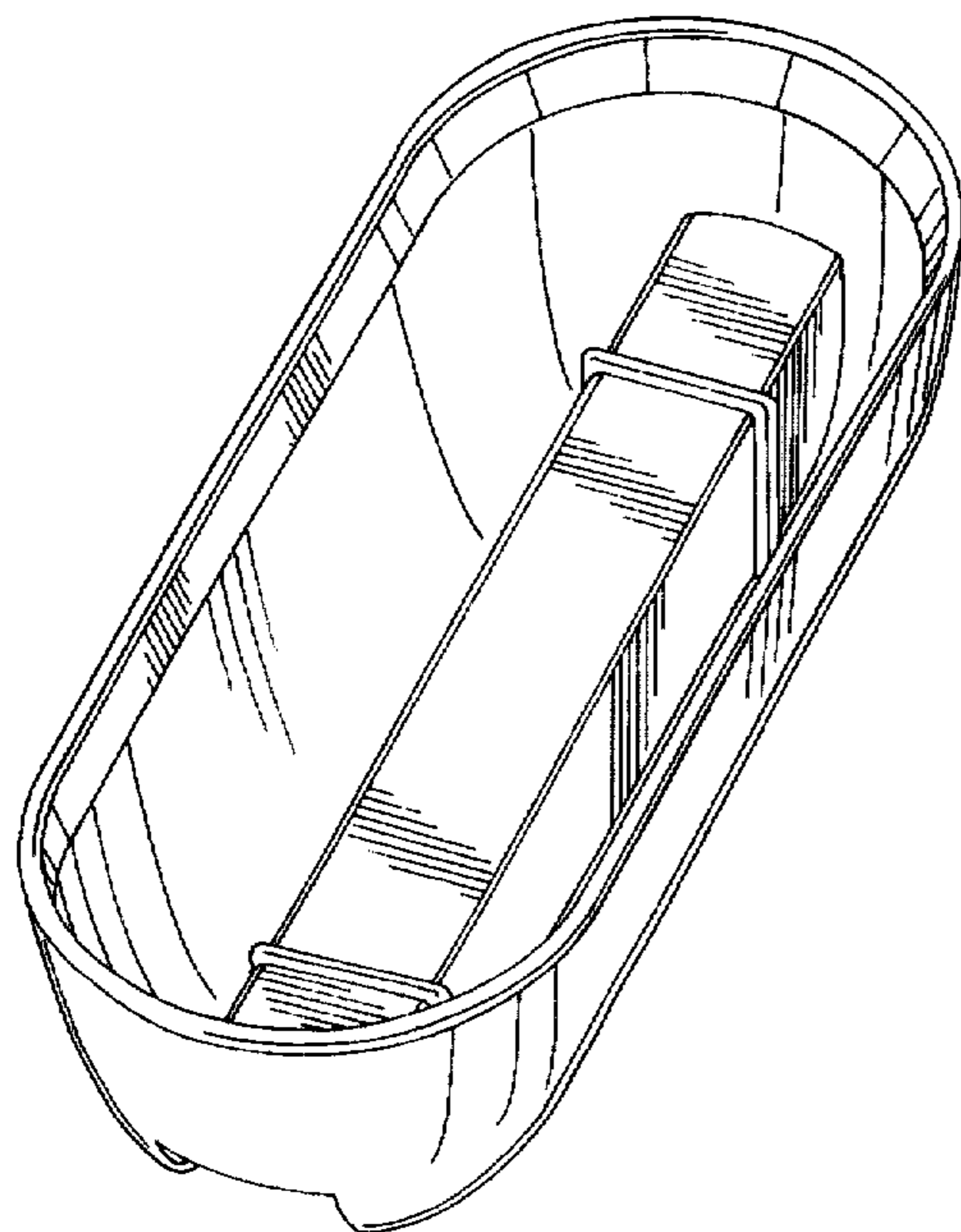
[57] CLAIM

The ornamental design for a elongate planter for mounting along railing, as shown and described.

DESCRIPTION

FIG. 1 is an end perspective view of a first embodiment, which view also shows the top of the planter;
 FIG. 2 is another perspective view of the planter of FIG. 1 showing the bottom and a long side thereof;
 FIG. 3 is a top view of the first embodiment;
 FIG. 4 is a bottom view of the first embodiment;
 FIG. 5 is an end elevation view of the first embodiment, the opposite end view being a mirror image thereof;
 FIG. 6 is a side elevation view of the first embodiment, the opposite side view being a mirror image thereof;
 FIG. 7 is an end perspective view of a second embodiment, which view also shows the top of the planter;
 FIG. 8 is another perspective view of the planter of FIG. 7 showing the bottom and a long side thereof;
 FIG. 9 is a top view of the second embodiment;
 FIG. 10 is a bottom view of the second embodiment;
 FIG. 11 is an end elevation of the second embodiment, the opposite end view being a mirror image thereof;
 FIG. 12 is a side elevation view of the second embodiment, the opposite side view being a mirror image thereof;
 FIG. 13 is an end perspective view of a third embodiment, which view also shows the top of the planter;
 FIG. 14 is another perspective view of the planter of FIG. 13 showing the bottom and a long side thereof;
 FIG. 15 is a top view of the third embodiment;
 FIG. 16 is a bottom view of the third embodiment;
 FIG. 17 is an end elevation view of the third embodiment, the opposite end view being a mirror image thereof; and,
 FIG. 18 is a side elevation view of the third embodiment, the opposite side being a mirror image thereof.

1 Claim, 17 Drawing Sheets



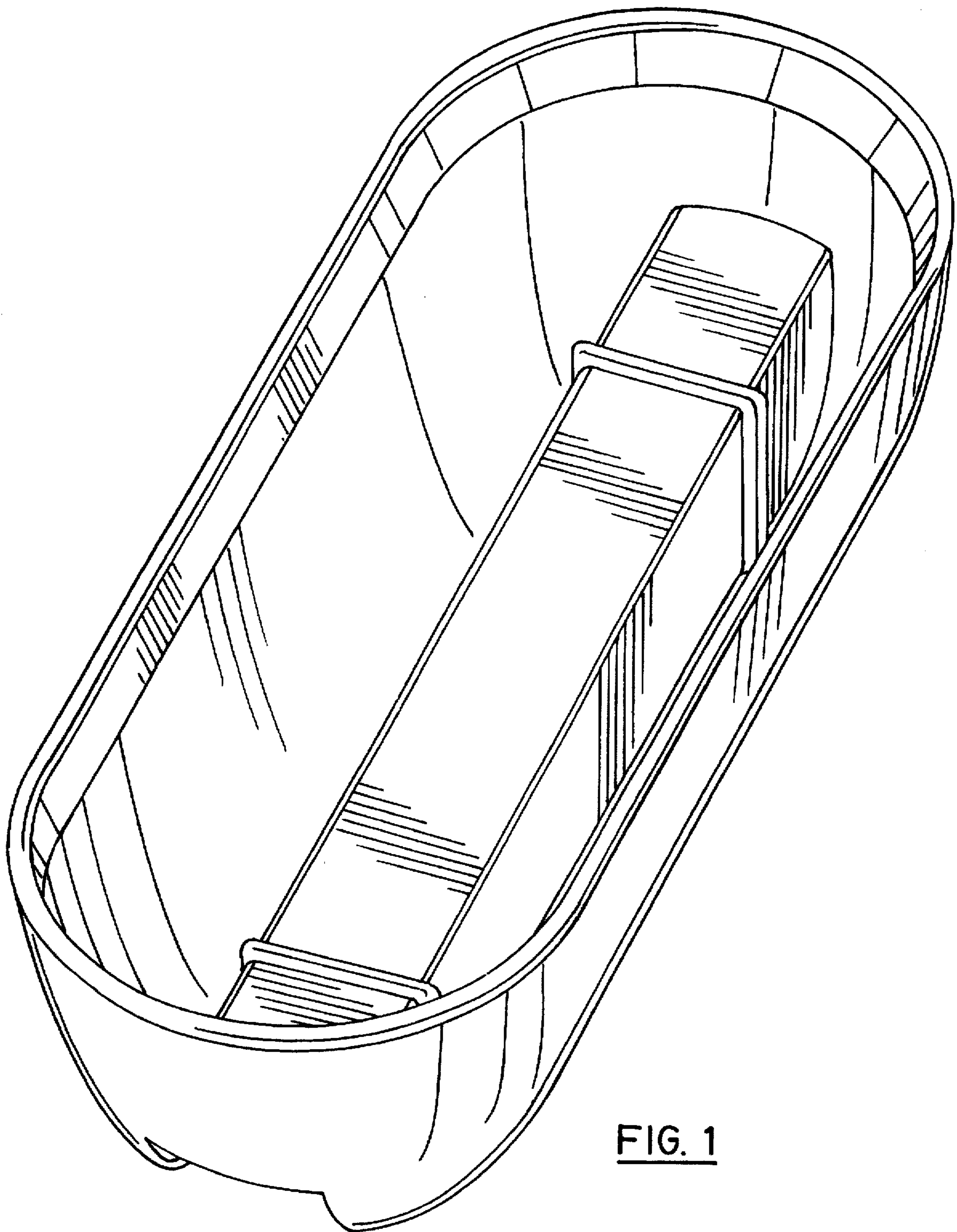


FIG. 1

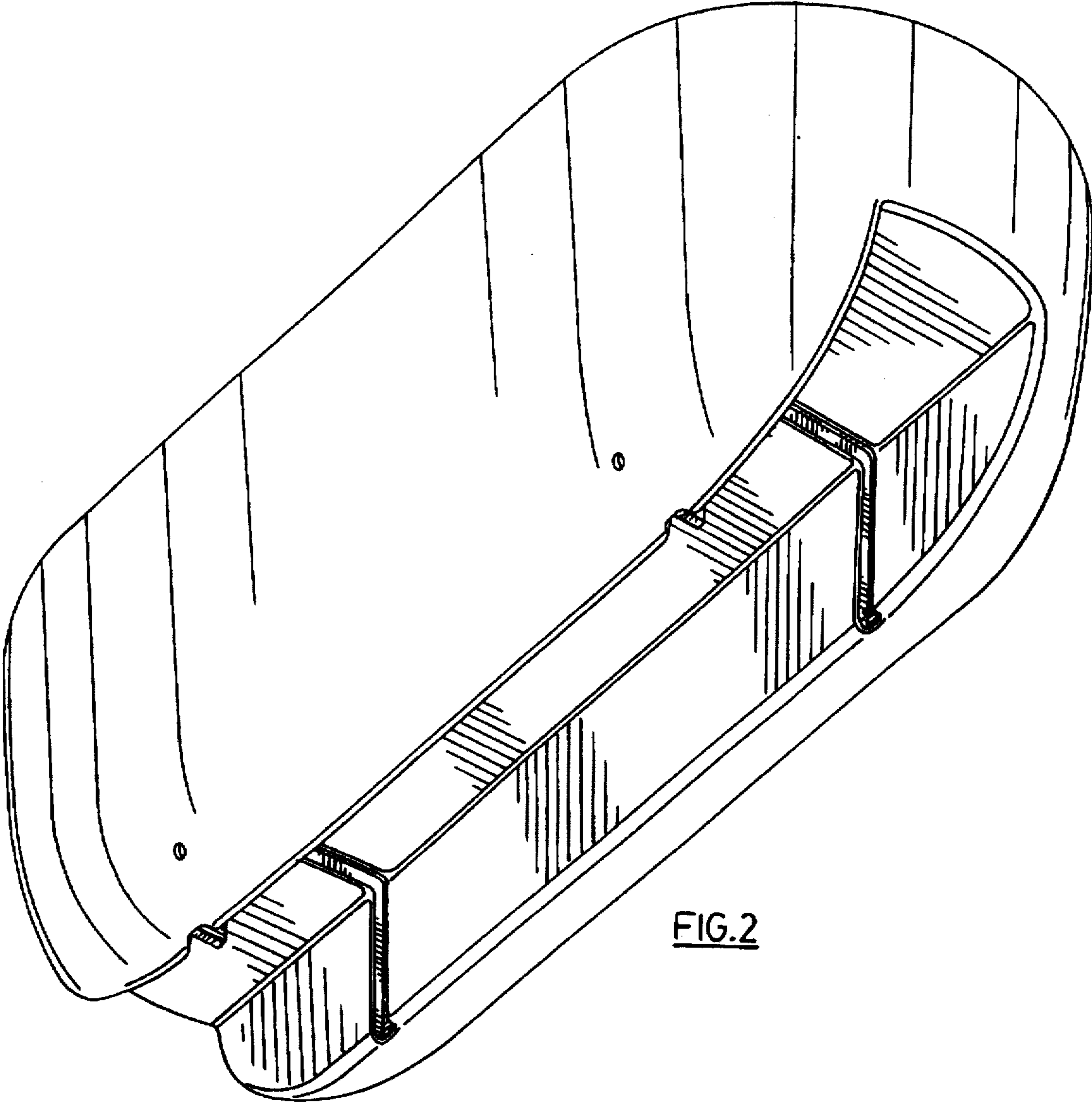


FIG.2

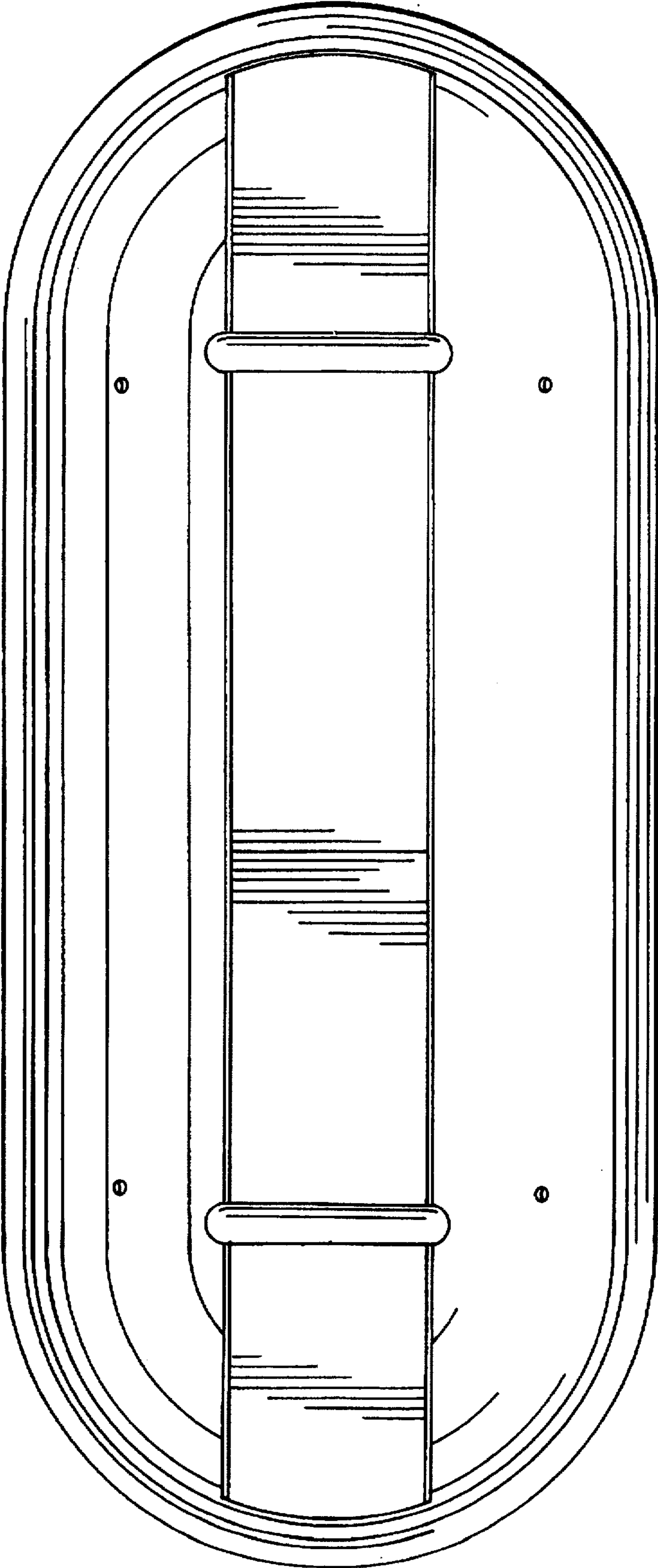


FIG. 3

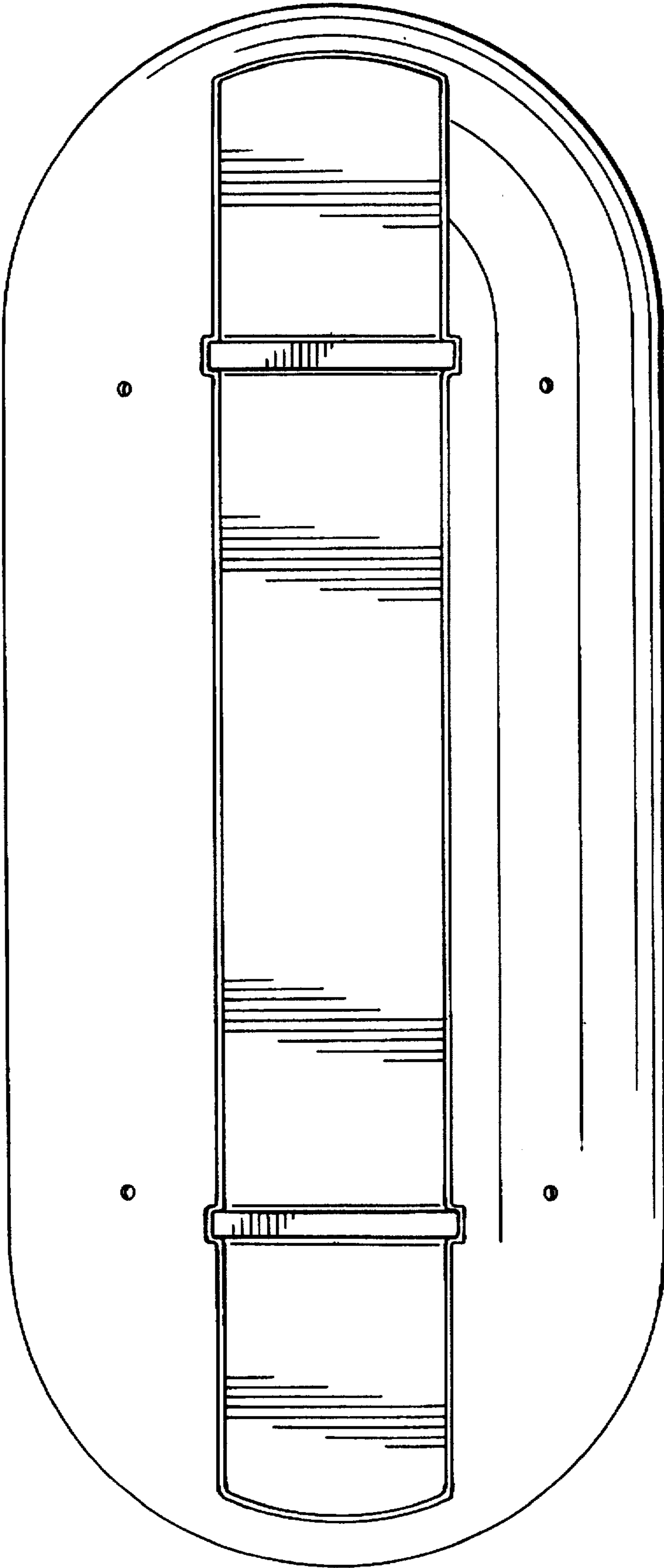


FIG. 4

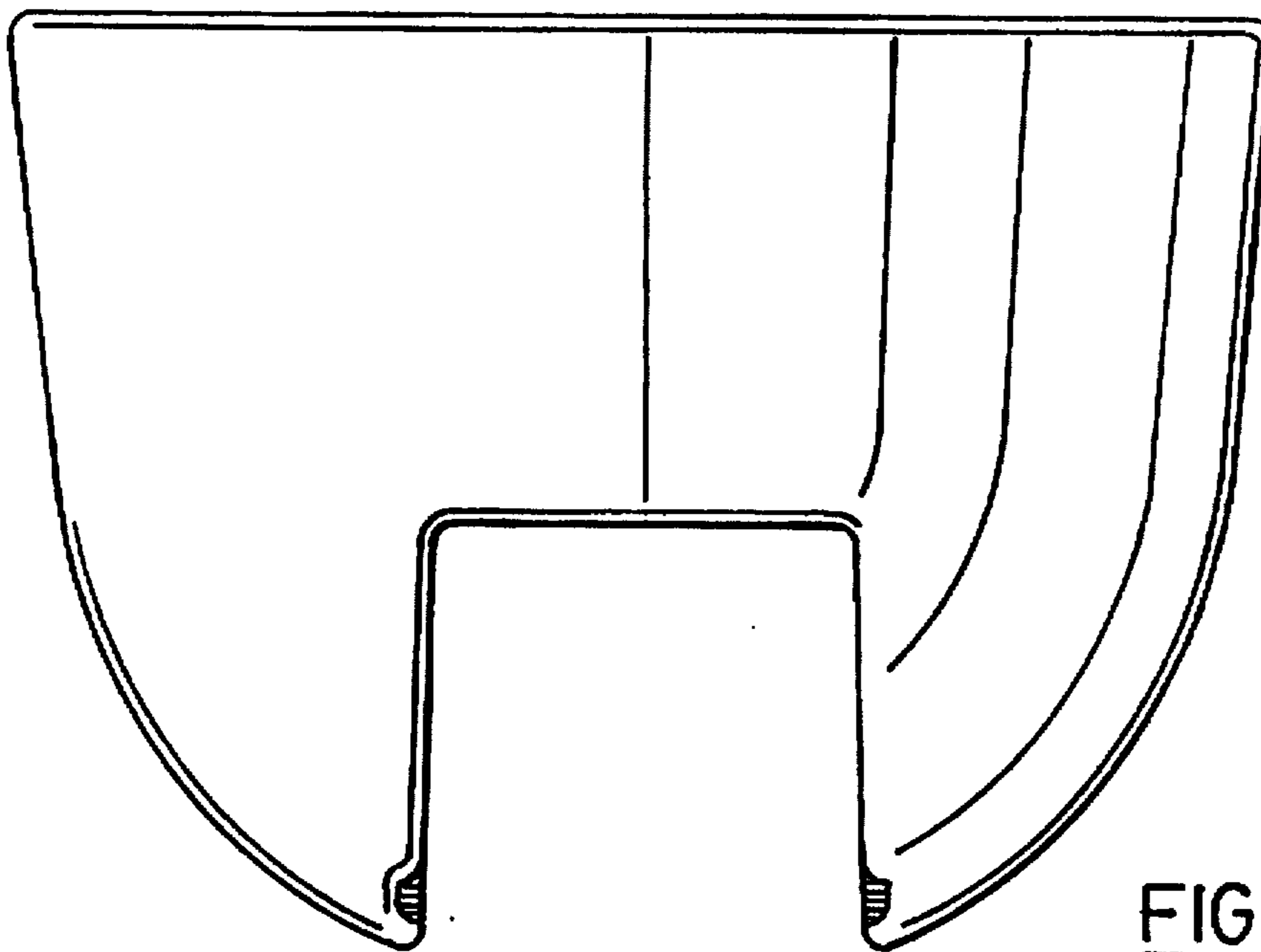


FIG. 5

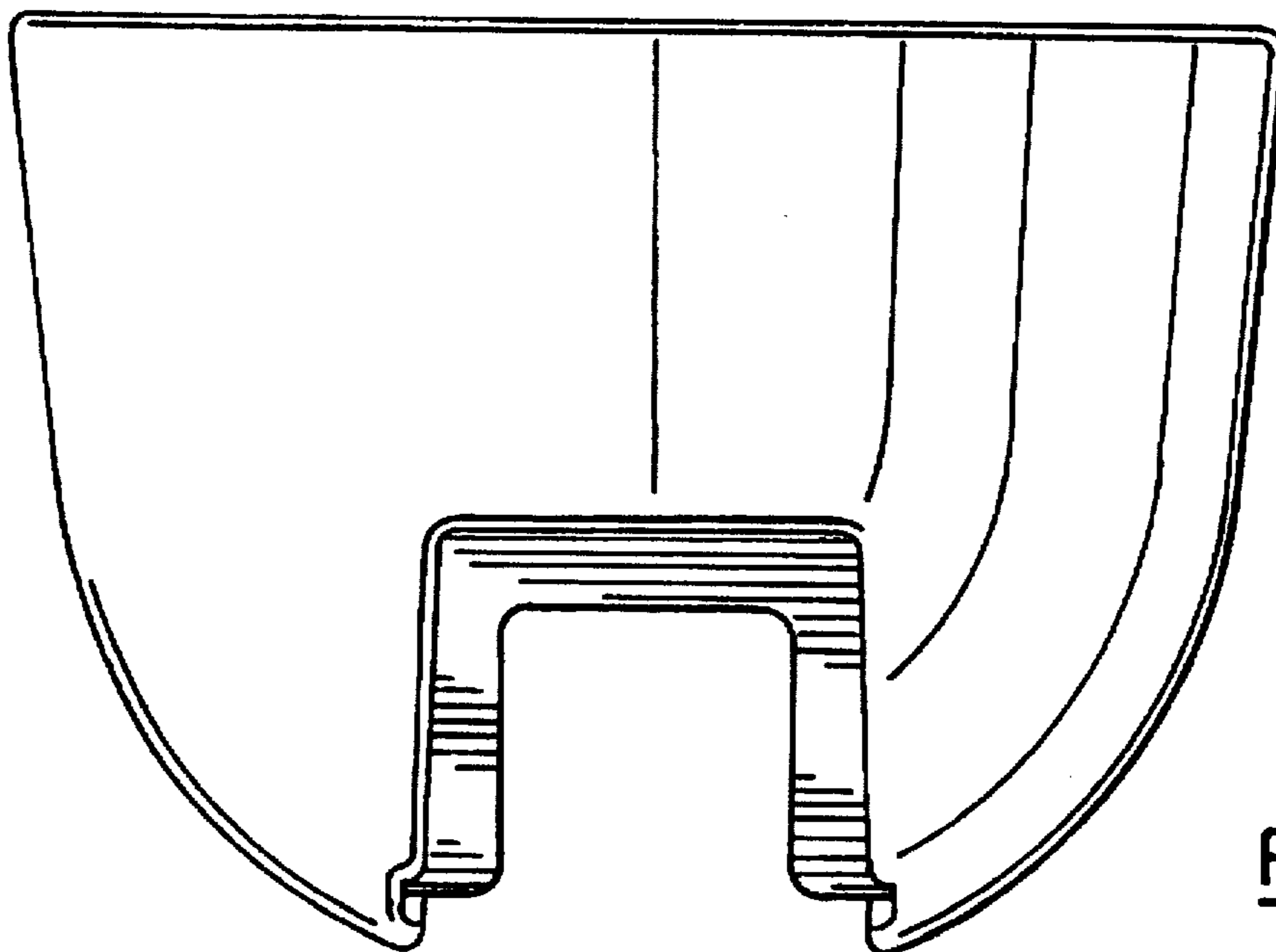


FIG. 11

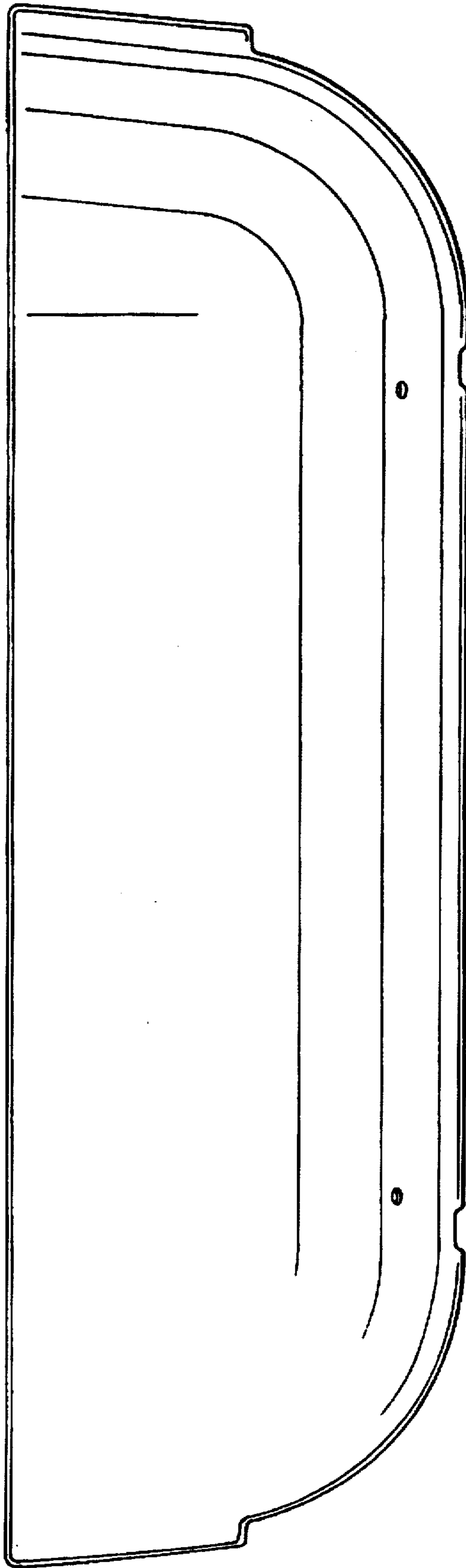


FIG. 6

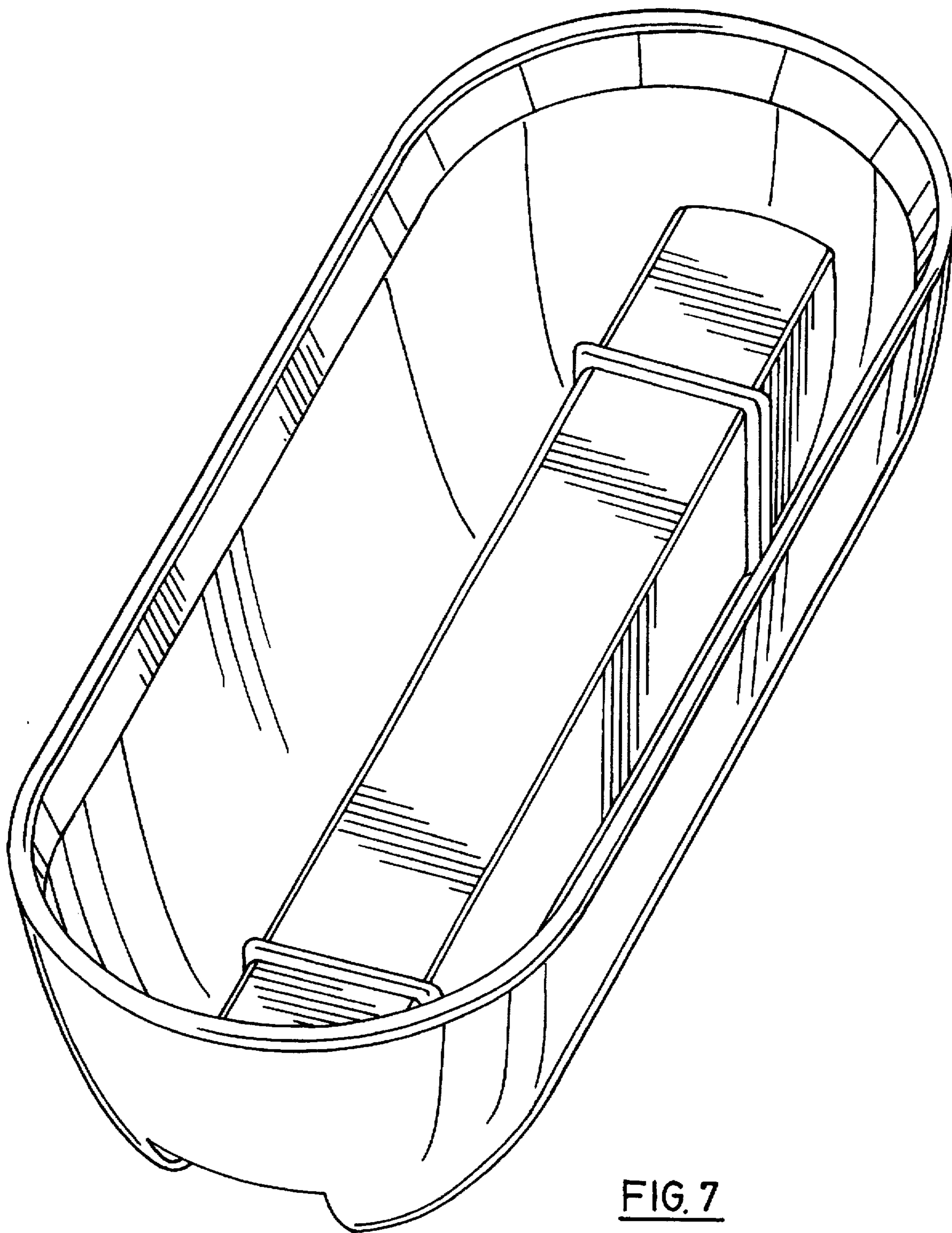


FIG. 7

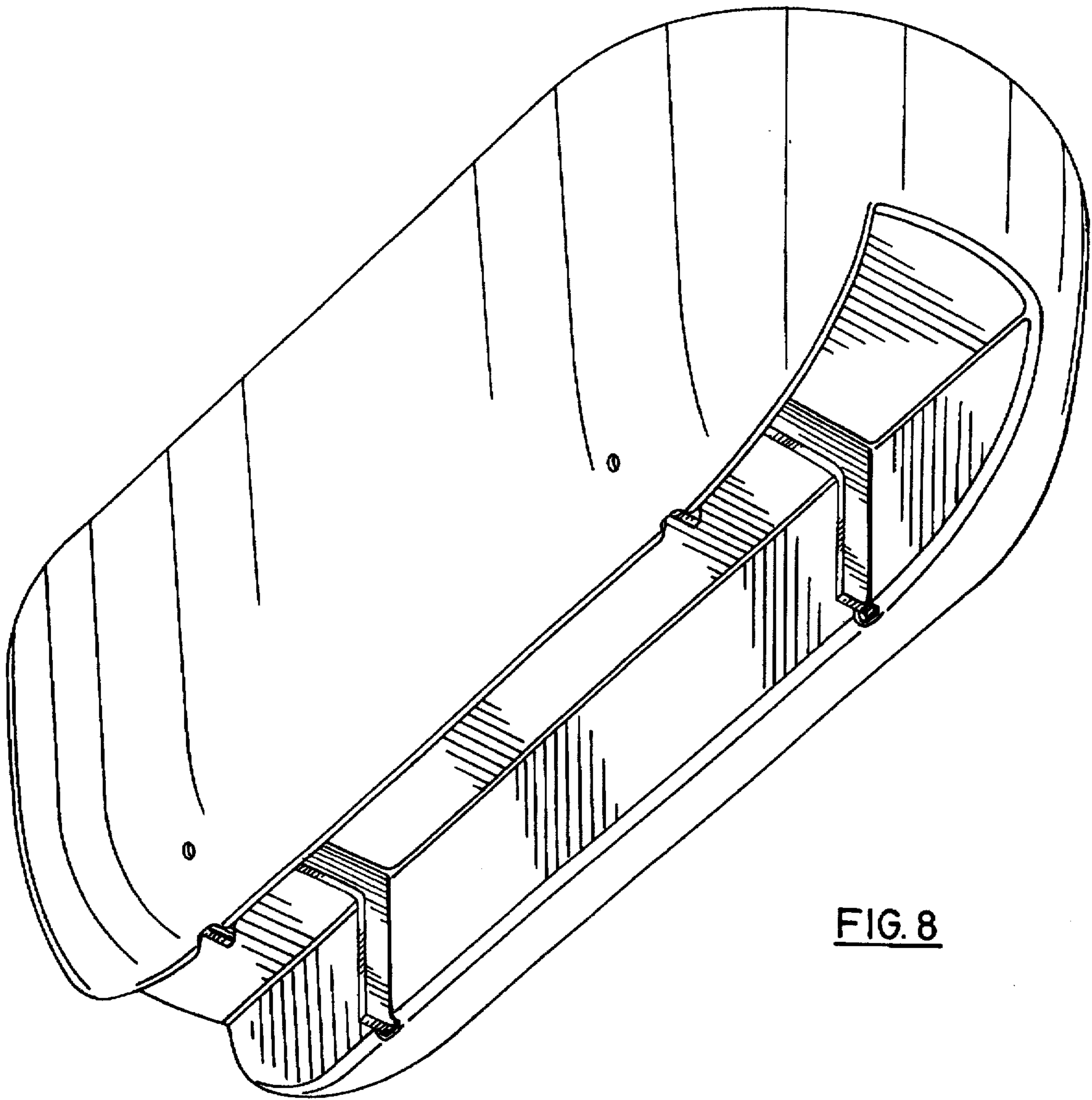


FIG. 8

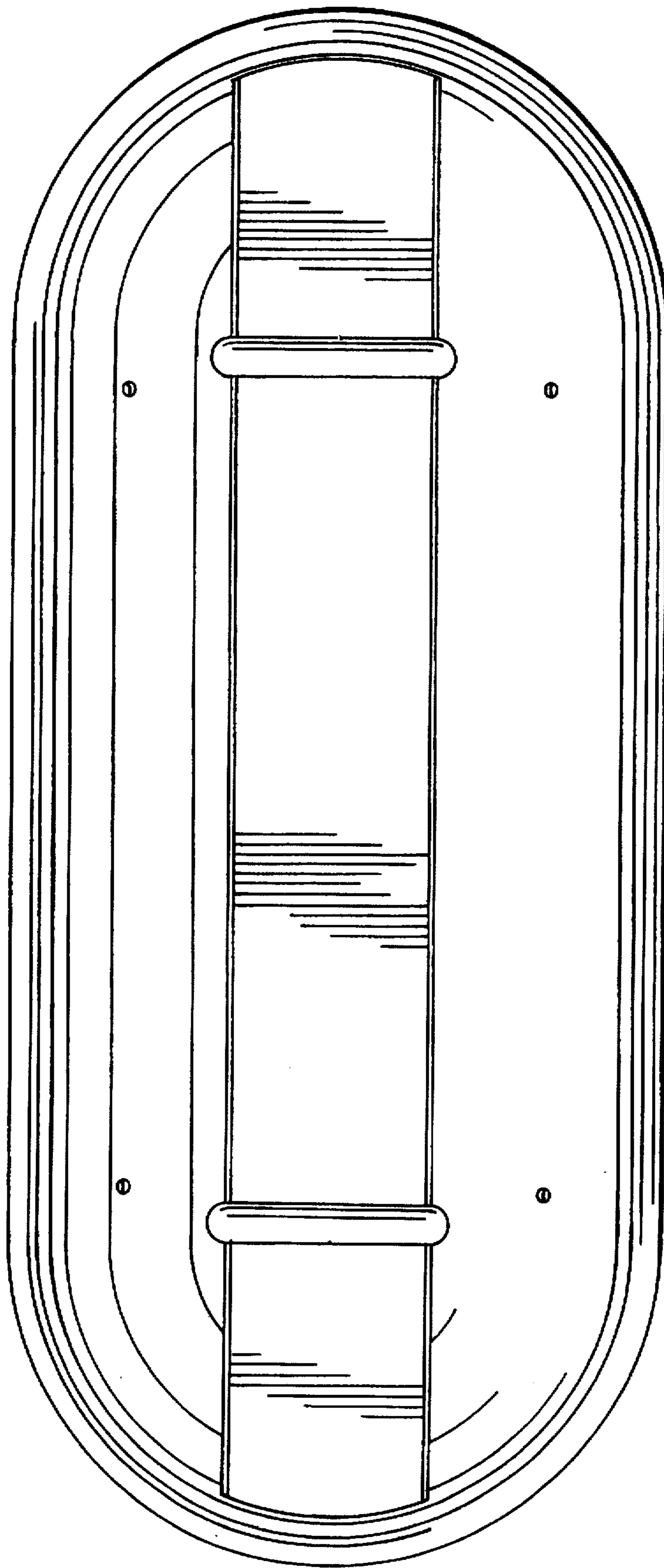


FIG. 9

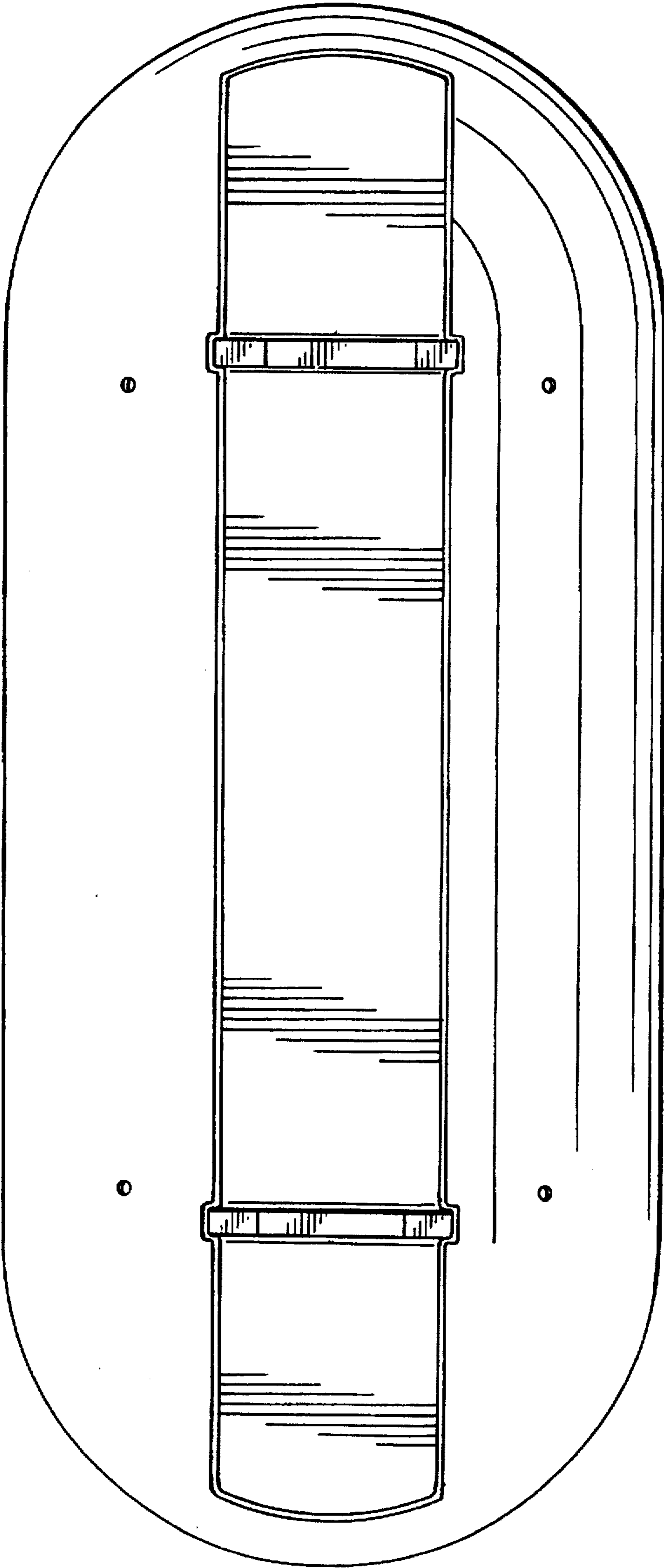


FIG. 10

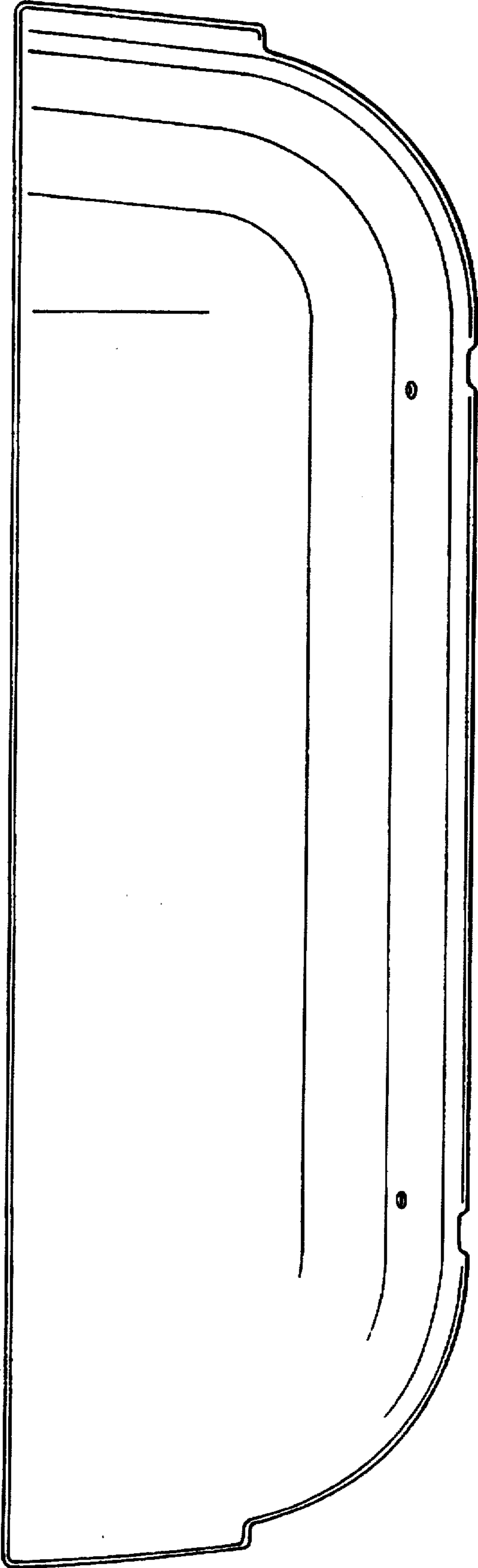


FIG.12

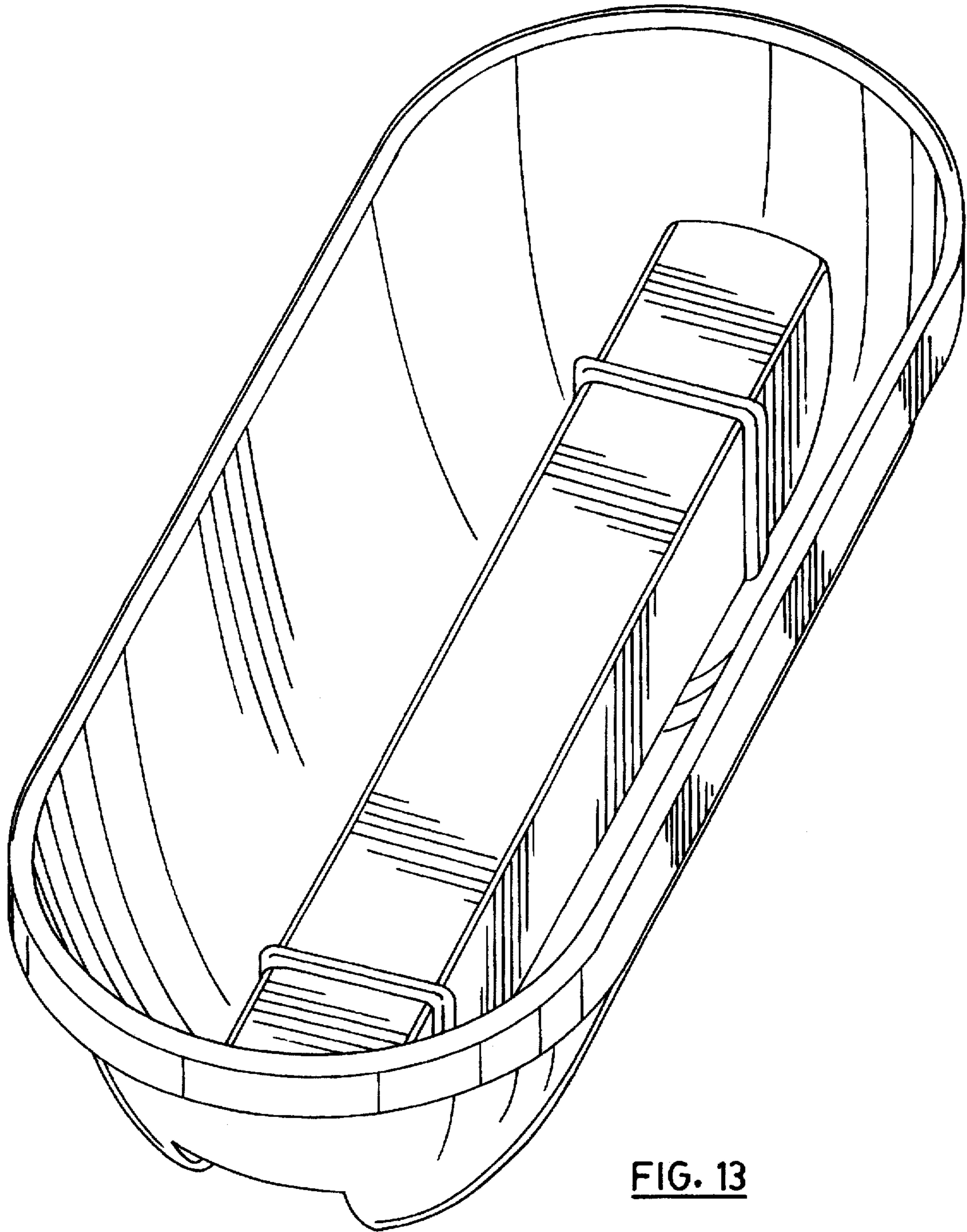


FIG. 13

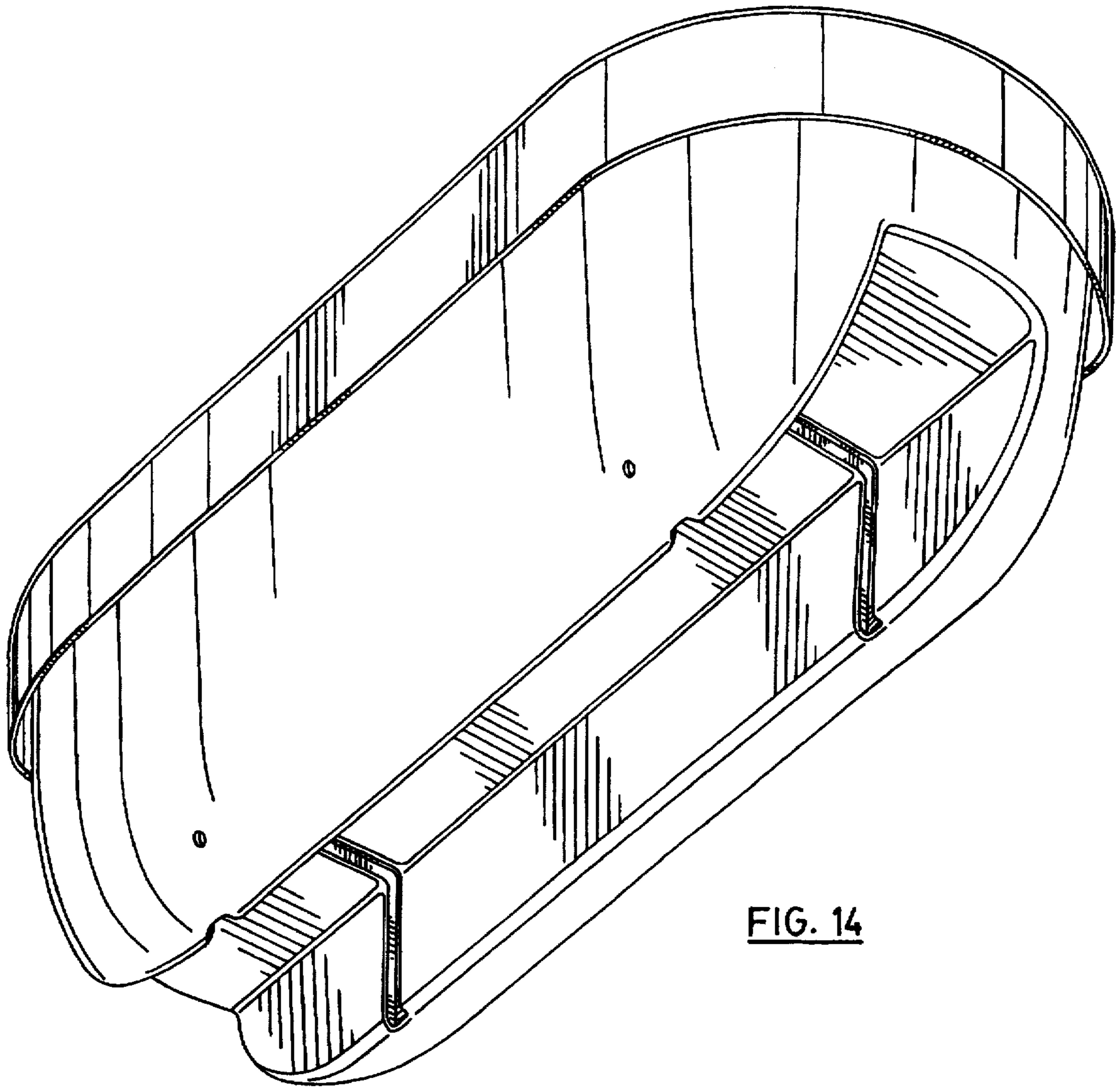


FIG. 14

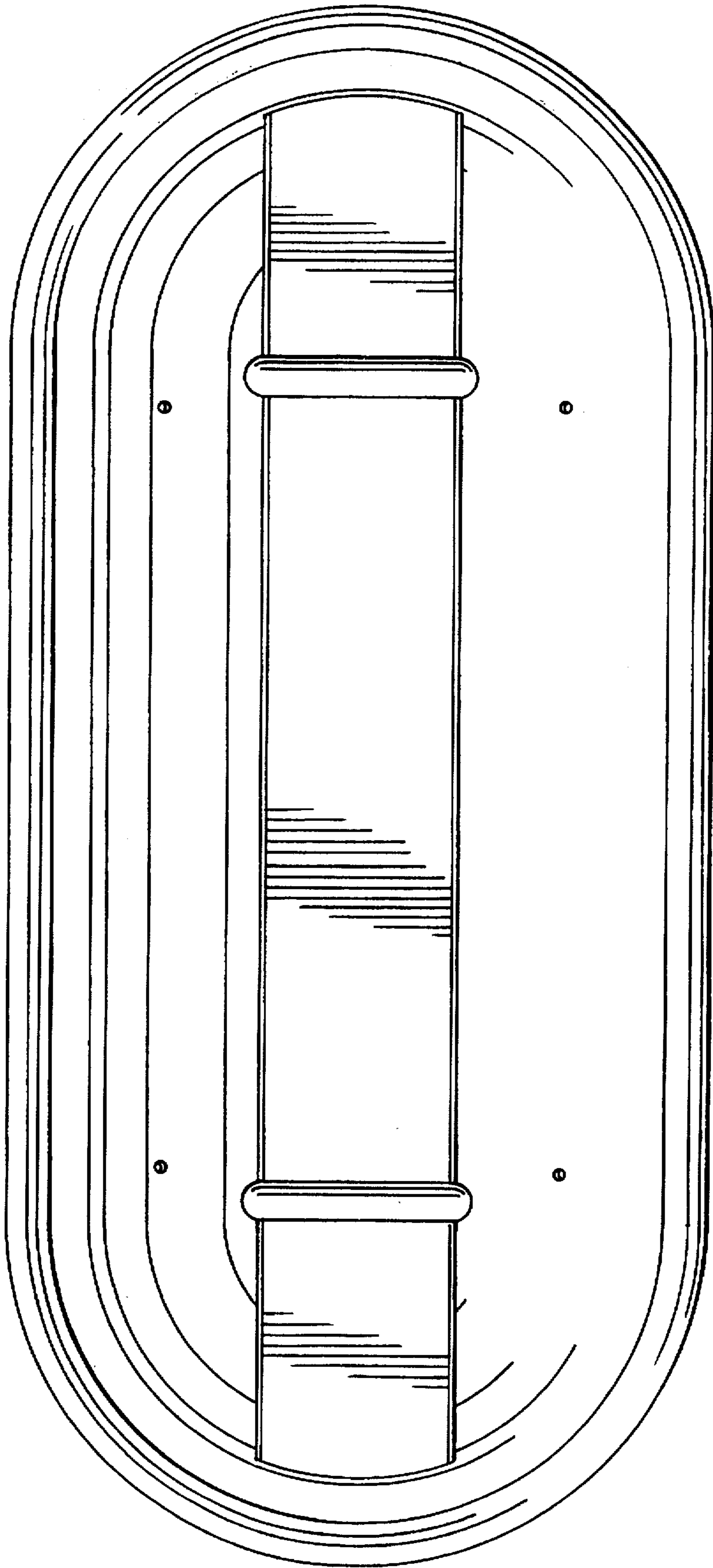


FIG. 15

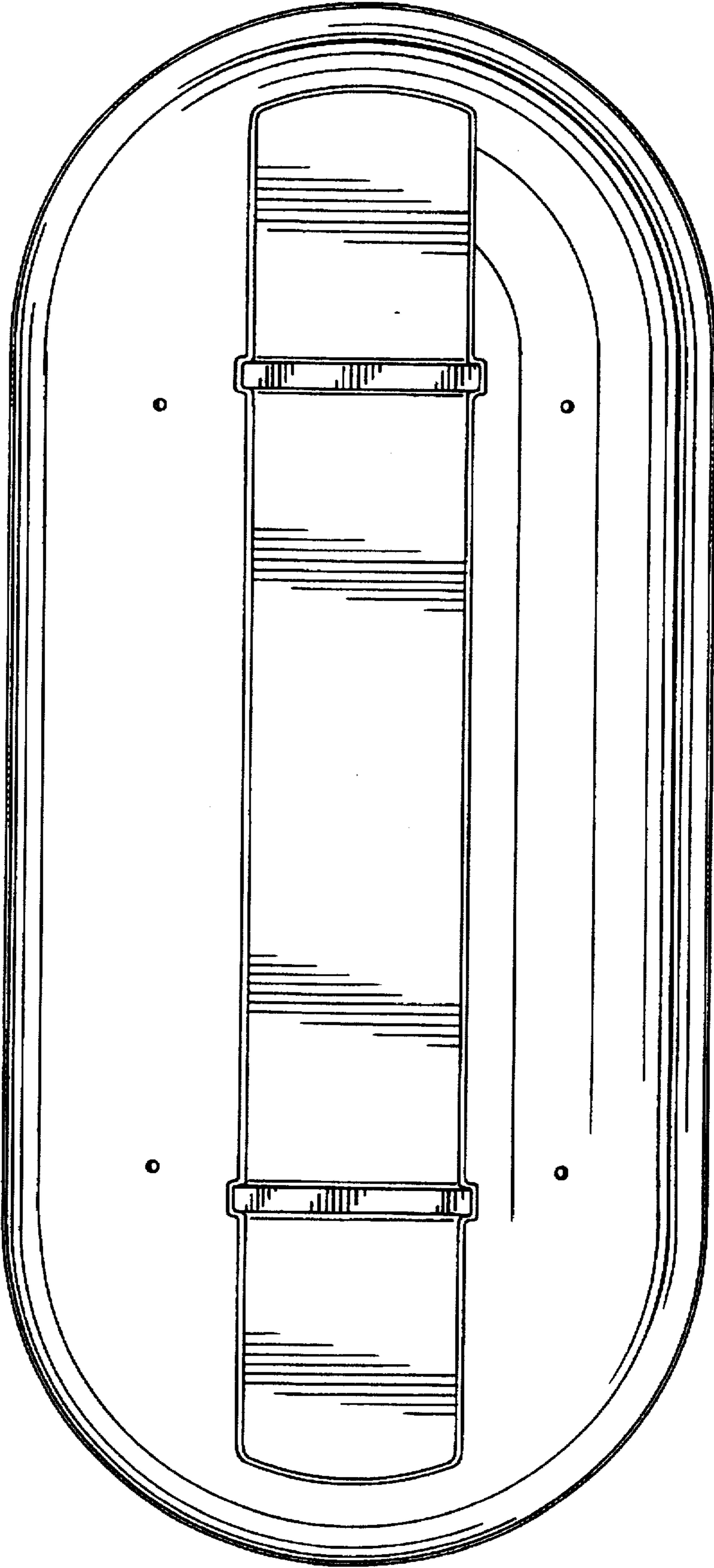


FIG. 16

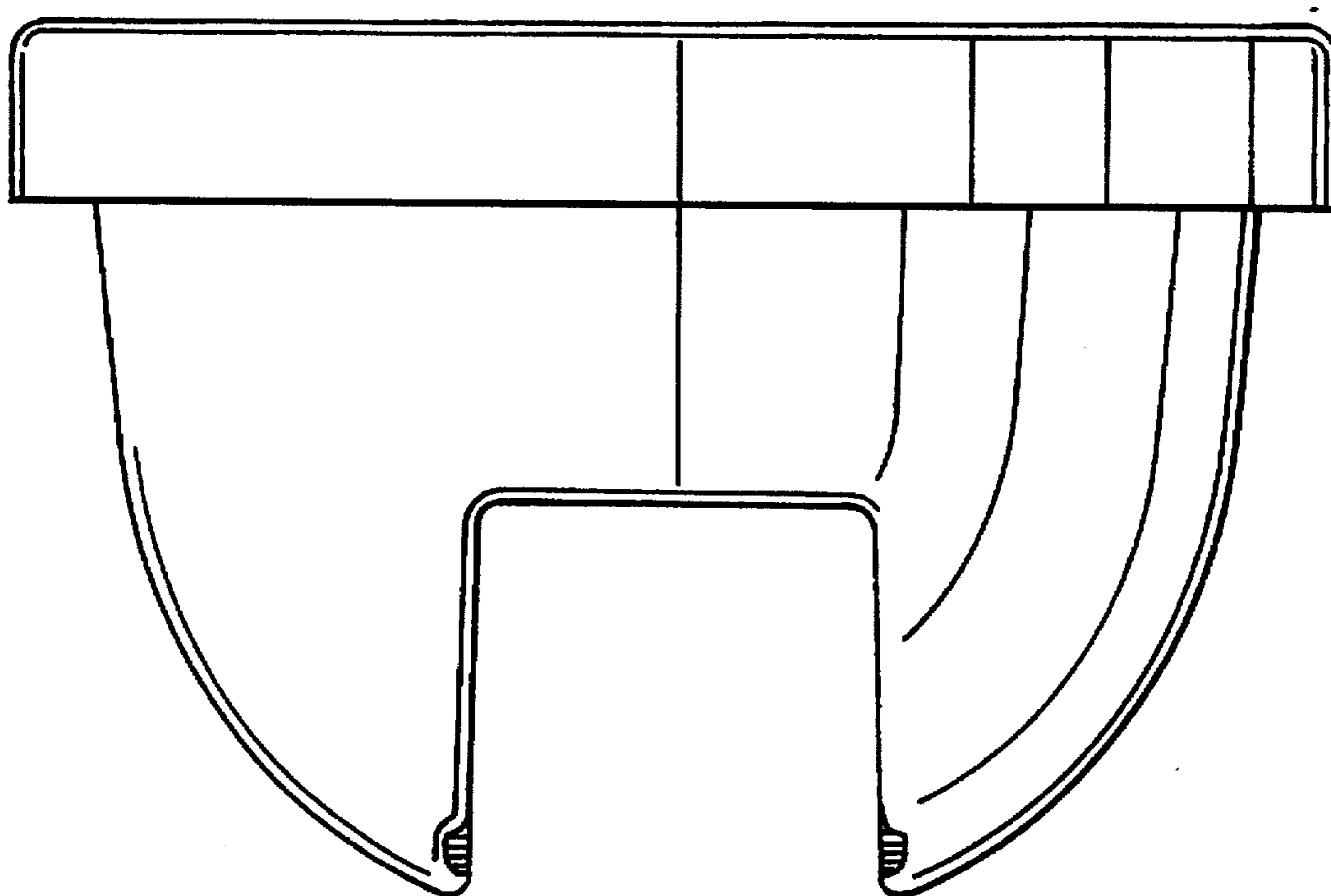


FIG. 17

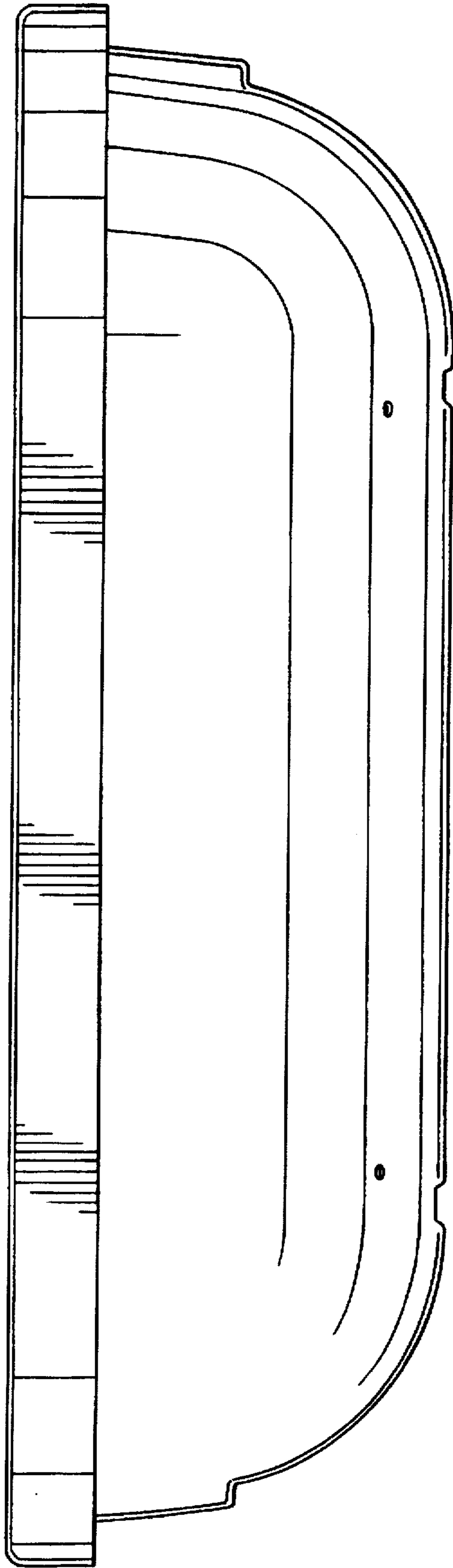


FIG. 18