



US00D385207S

United States Patent [19]
Urvoy

[11] **Patent Number:** **Des. 385,207**
[45] **Date of Patent:** ****Oct. 21, 1997**

[54] **INFRARED TRANSMITTER**
[75] **Inventor:** **Jean-Jacques Urvoy, Paris, France**
[73] **Assignee:** **Meccano, S.A., Calais, France**
[**] **Term:** **14 Years**

D. 333,795 3/1993 Issa D10/106
D. 351,173 10/1994 Yeh D10/106
D. 368,475 4/1996 Scott D14/218
D. 376,366 12/1996 Patton et al. D14/218

Primary Examiner—Marcus A. Jackson
Attorney, Agent, or Firm—Pennie & Edmonds LLP

[21] **Appl. No.:** **51,017**
[22] **Filed:** **Mar. 1, 1996**
[30] **Foreign Application Priority Data**

Oct. 20, 1995 [WO] WIPO D12255

[51] **LOC (6) CL.** **10-05**
[52] **U.S. Cl.** **D10/104; D14/218**
[58] **Field of Search** D10/104, 106,
D10/116, 121; D14/95, 174, 218; 340/540,
541, 545, 561, 565, 566, 571, 572, 573

[57] **CLAIM**

The ornamental design for a infrared transmitter, as shown and described.

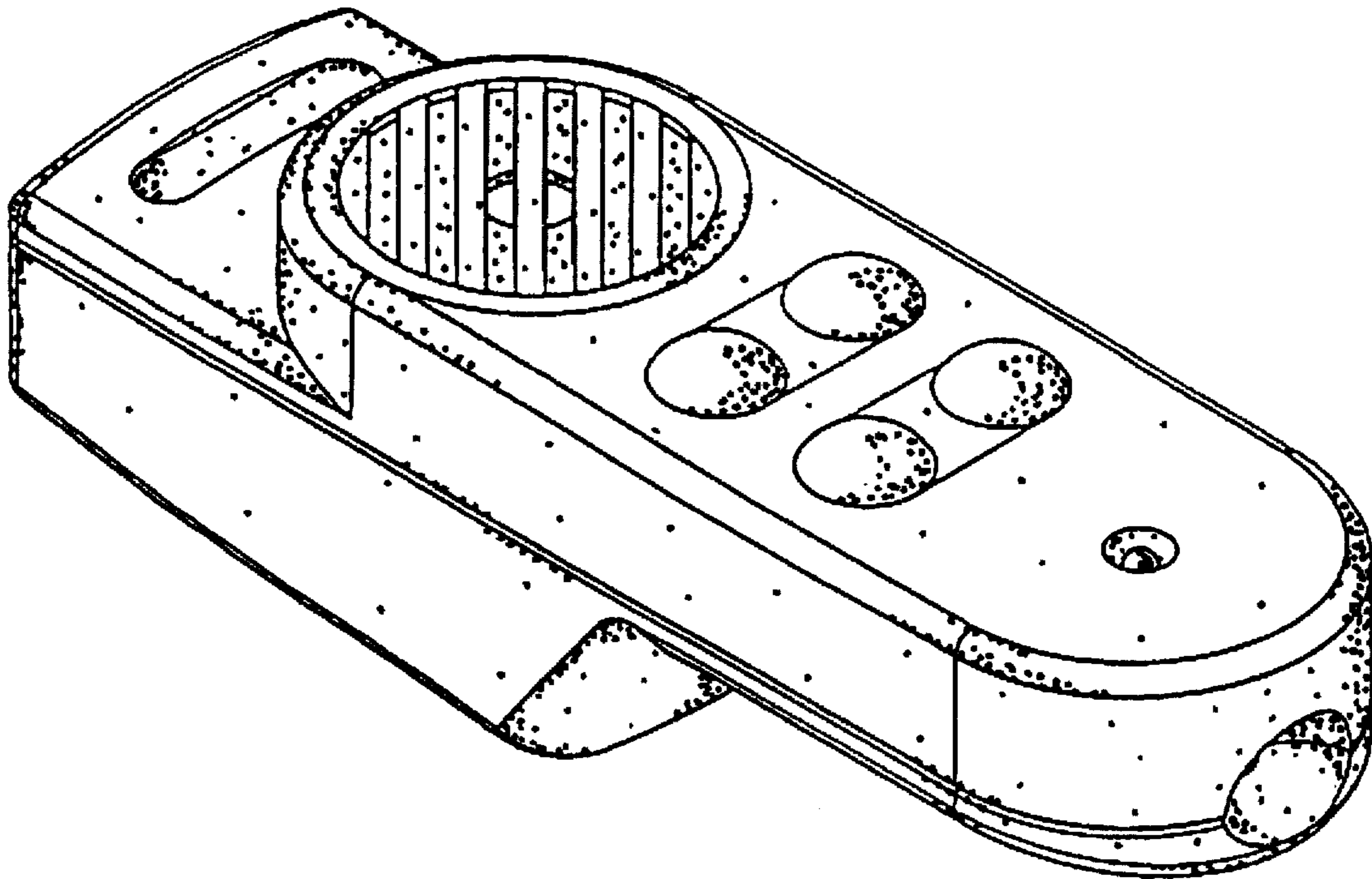
DESCRIPTION

FIG. 1 is a perspective view of an embodiment of a infrared transmitter according to the invention; FIG. 2 is a bottom side view thereof; FIG. 3 is a top side view thereof; FIG. 4 is a front side view thereof; FIG. 5 is a rear side view thereof; FIG. 6 is a left side view thereof; and, FIG. 7 is a right side view thereof.

[56] **References Cited**
U.S. PATENT DOCUMENTS

D. 333,633 3/1993 Issa D10/106

1 Claim, 2 Drawing Sheets



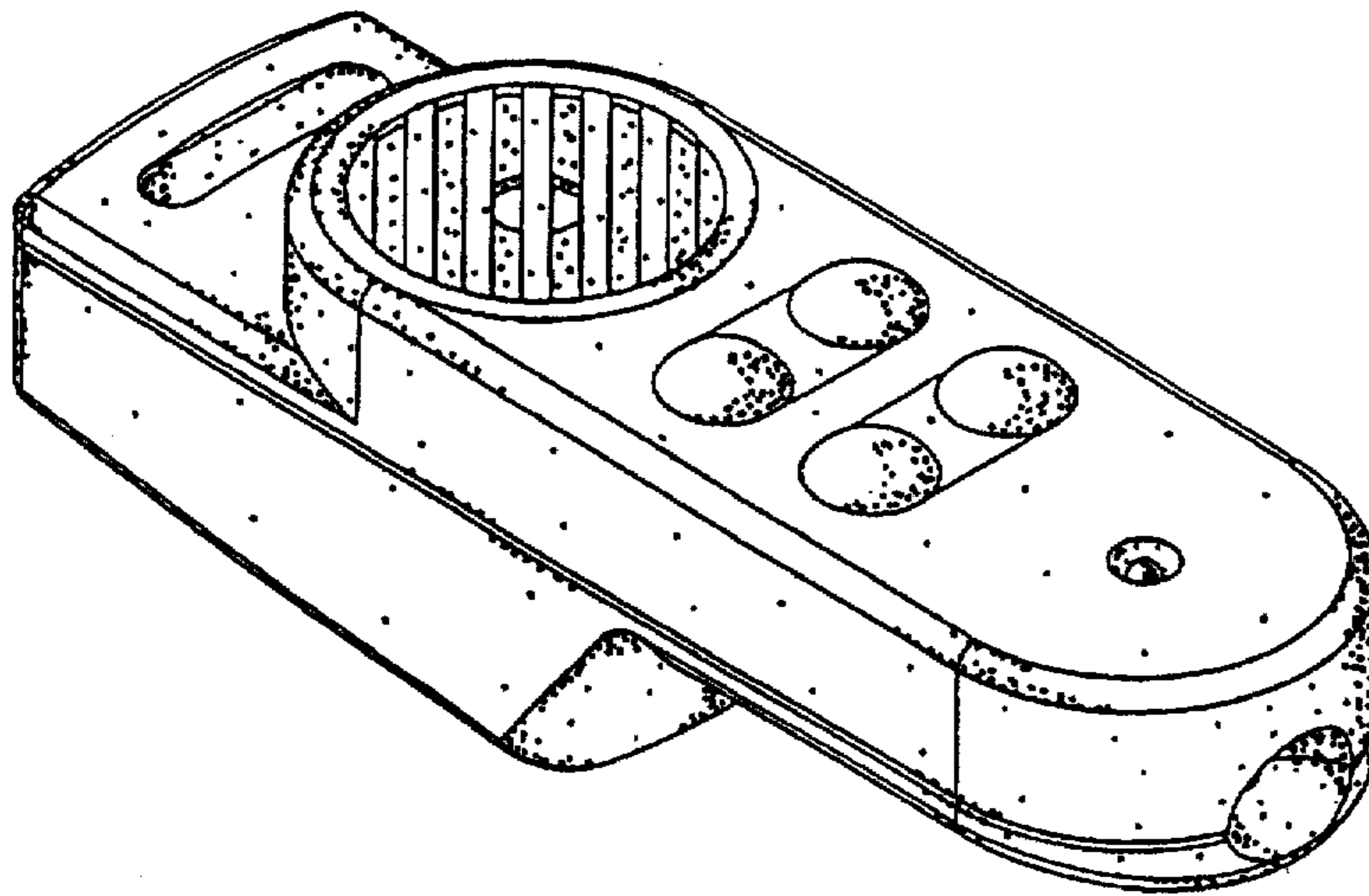


FIG. 1

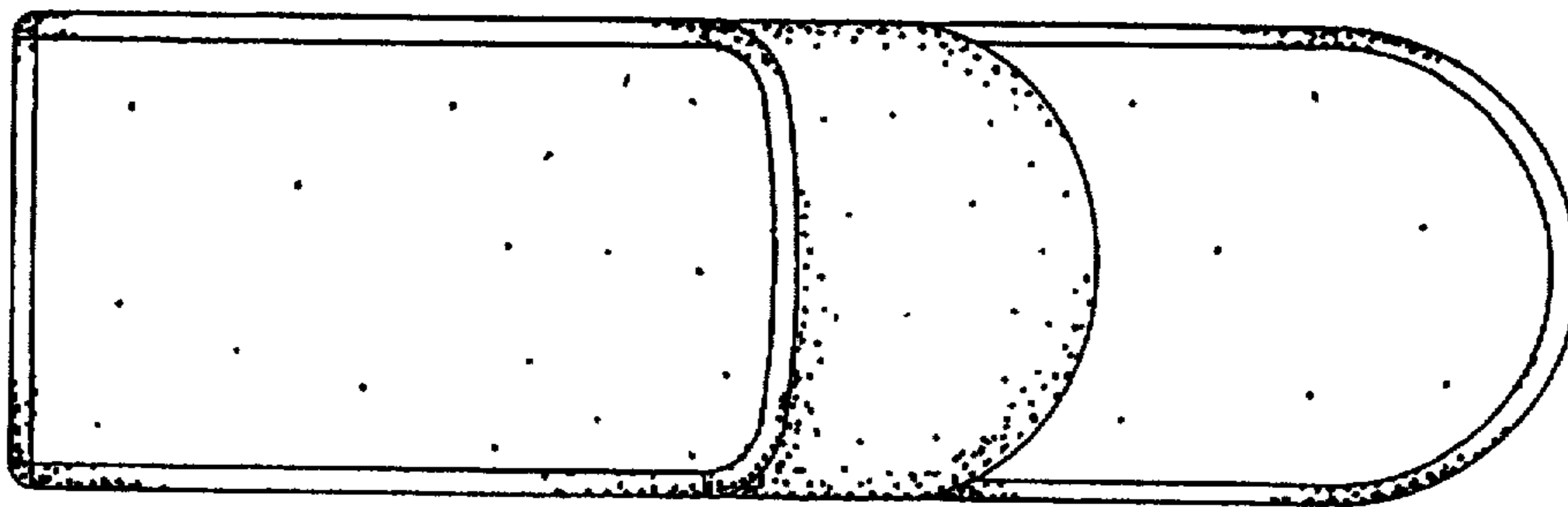


FIG. 2

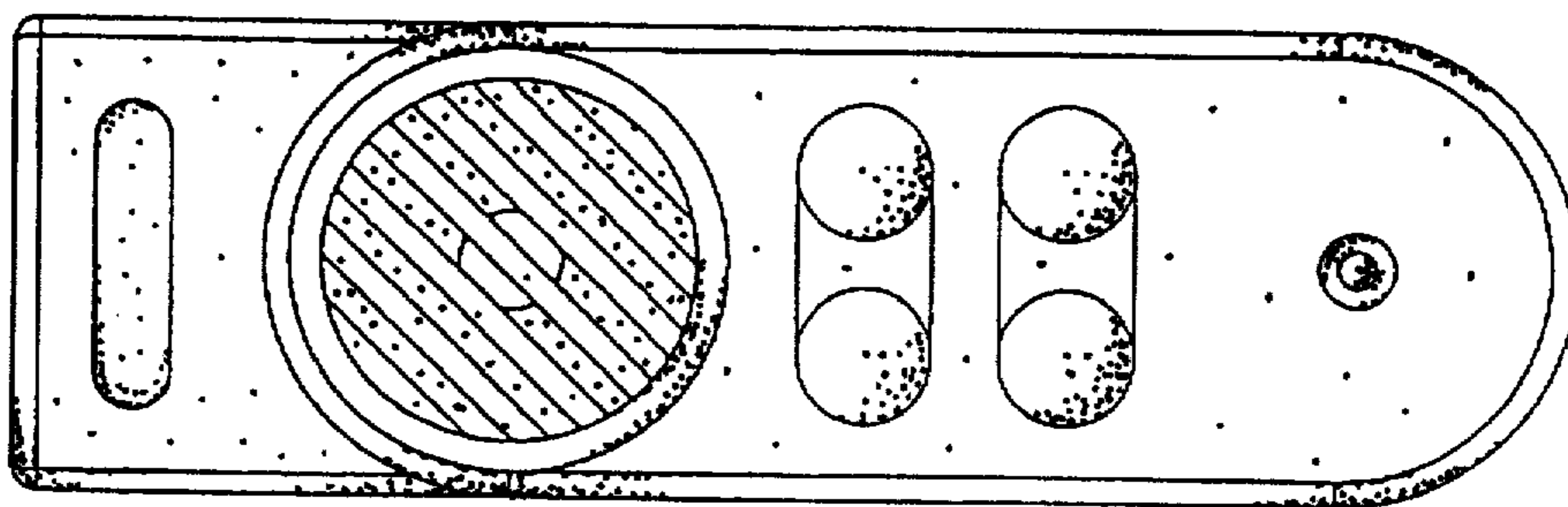


FIG. 3

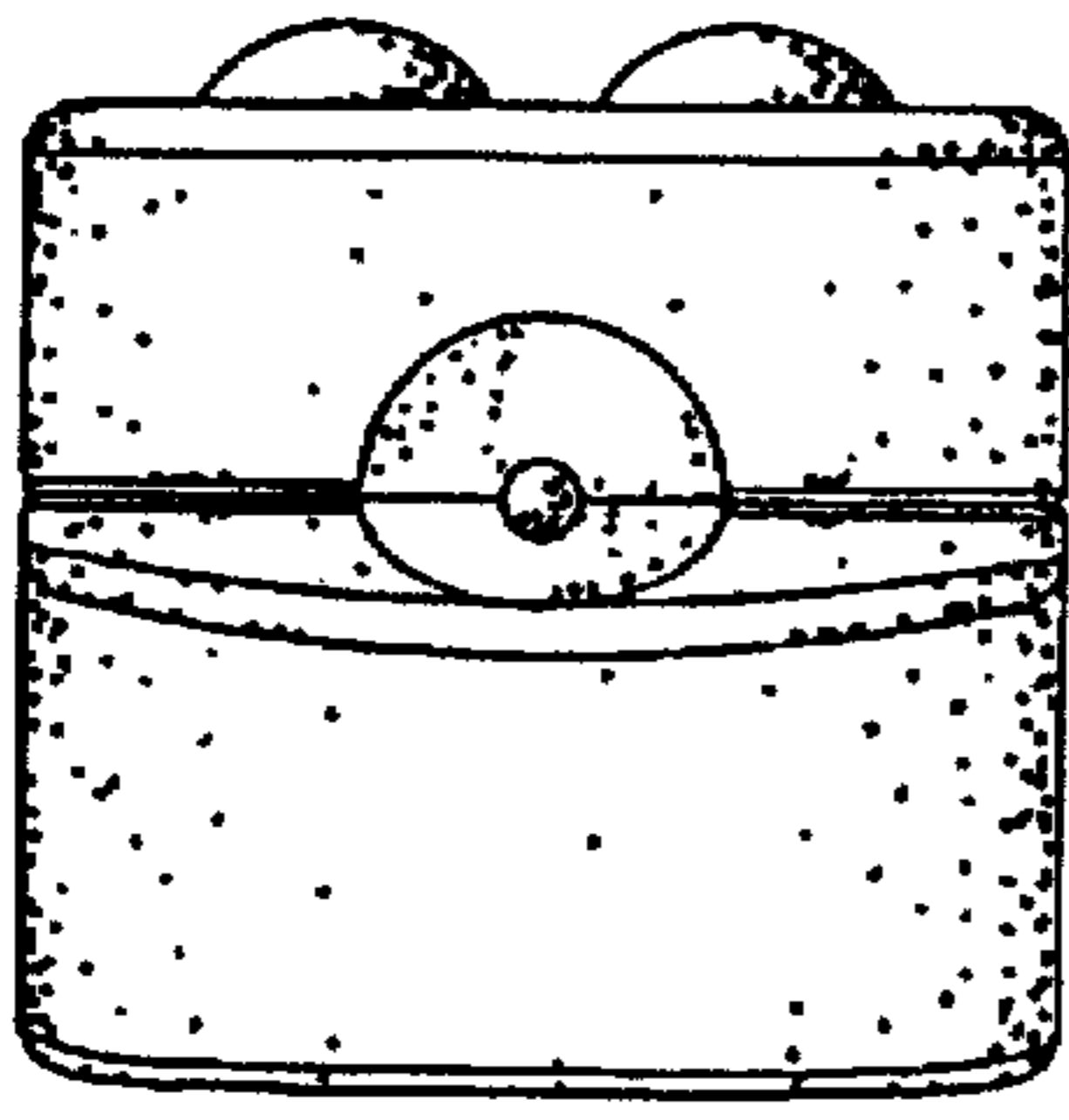


FIG. 4

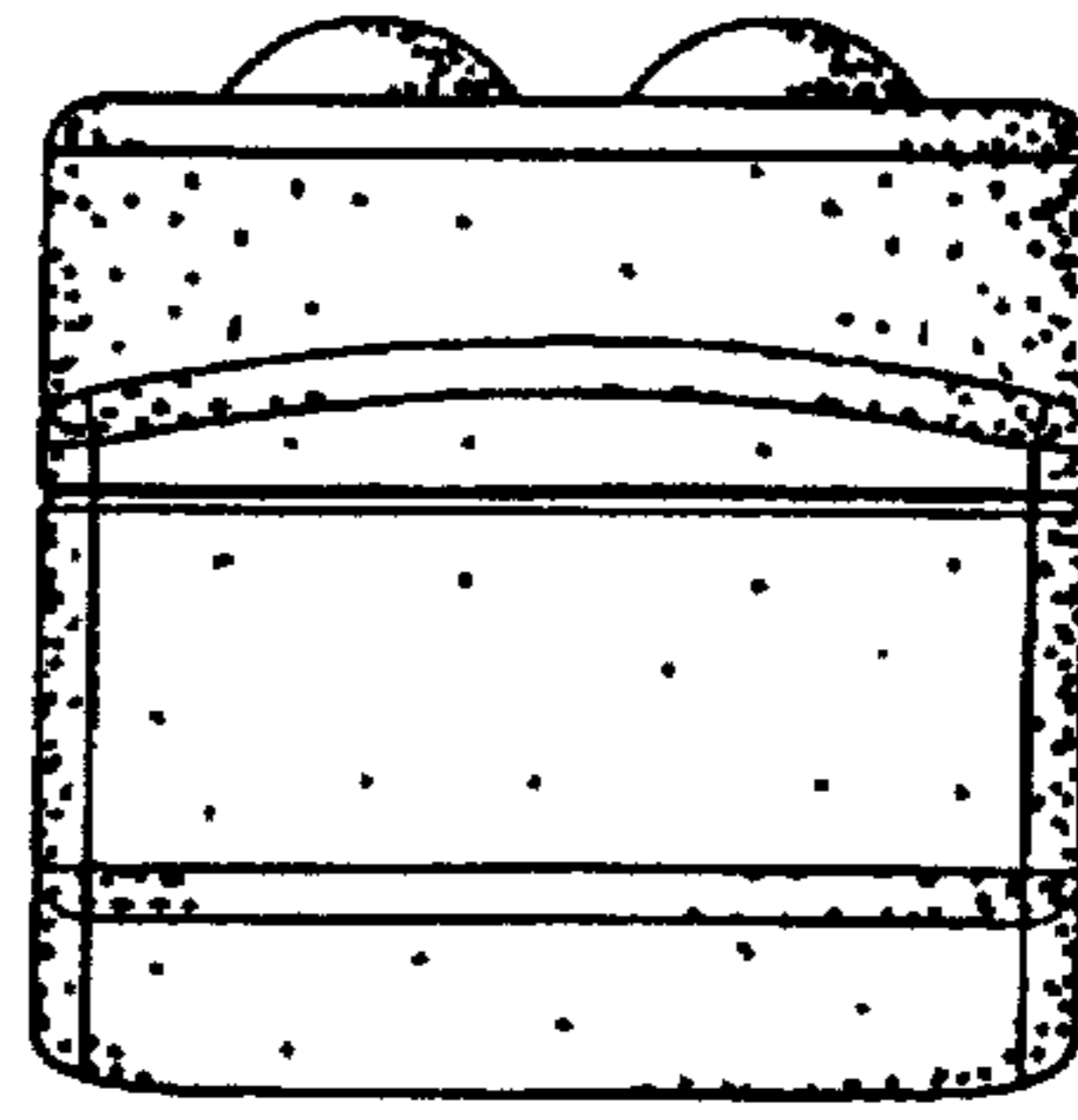


FIG. 5

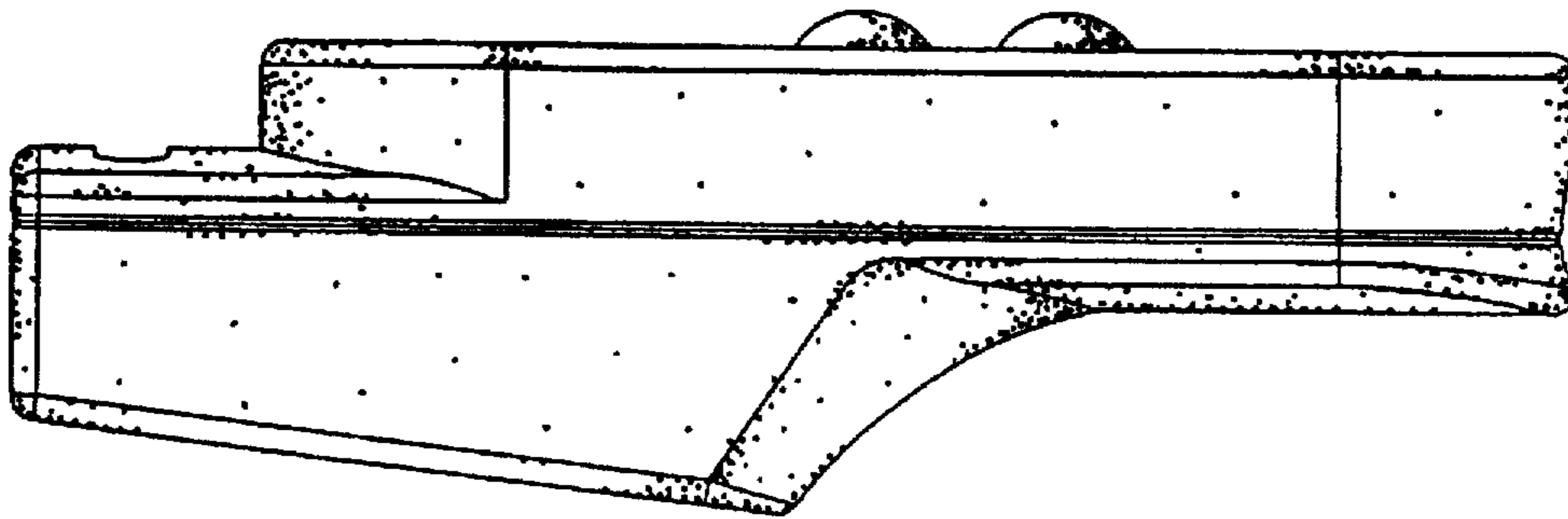


FIG. 6

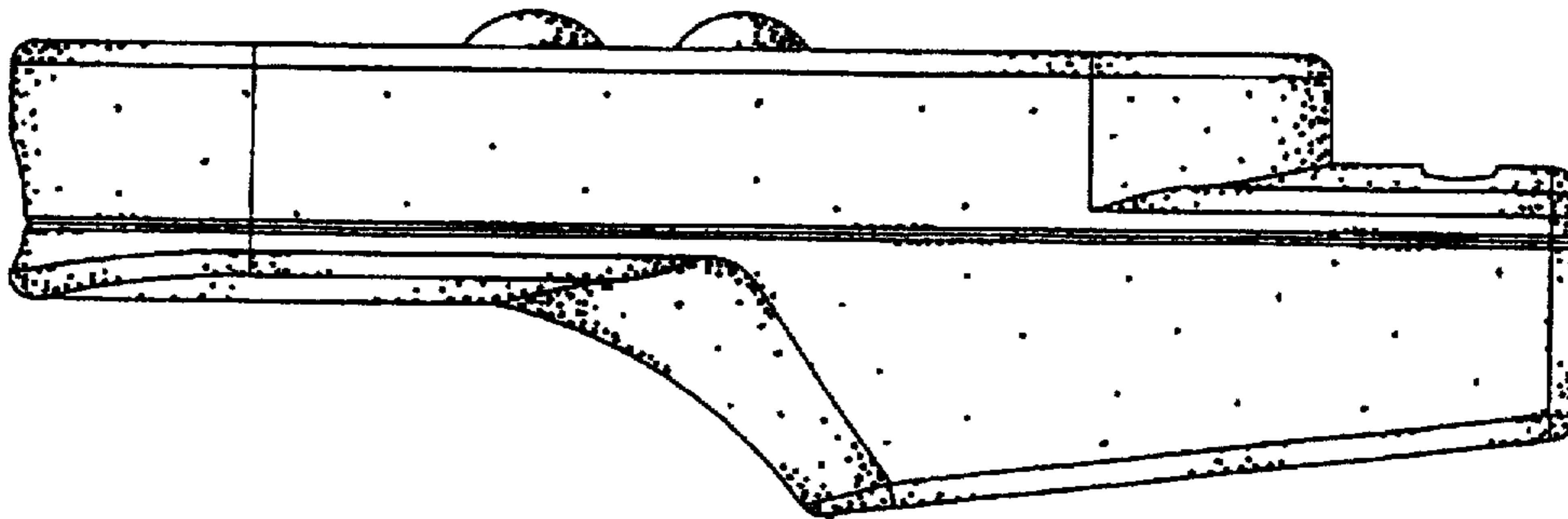


FIG. 7