



US00D385203S

United States Patent [19] Zappa

[11] Patent Number: **Des. 385,203**
[45] Date of Patent: ****Oct. 21, 1997**

[54] **DIGITAL THERMOMETER**
[75] Inventor: **Robert J. Zappa, Golden, Colo.**
[73] Assignee: **PolyMedica Industries, Inc., Woburn, Mass.**
[**] Term: **14 Years**
[21] Appl. No.: **46,801**
[22] Filed: **Dec. 8, 1995**
[51] LOC (6) Cl. **10-04**
[52] U.S. Cl. **D10/57**
[58] Field of Search **D10/57; 374/170, 374/208, 209**

4,317,367	3/1982	Schonberger	73/632
4,341,992	7/1982	Goldstein	324/65
4,444,517	4/1984	Murase	374/188
4,688,949	8/1987	Hatakenaka	374/183
4,692,034	9/1987	Fukui et al.	374/208
4,729,672	3/1988	Takagi	374/208
4,743,121	5/1988	Takagi et al.	374/163
5,013,161	5/1991	Zaragoza et al.	374/208
5,165,798	11/1992	Watanabe	374/208

Primary Examiner—Antoine Duval Davis
Attorney, Agent, or Firm—Olson & Hierl, Ltd.

[57] CLAIM

The ornamental design for a digital thermometer, as shown and described.

DESCRIPTION

FIG. 1 is a perspective view of a digital thermometer; FIG. 2 is a top plan view of the digital thermometer; FIG. 3 is a side elevational view of the digital thermometer, the opposite side being the same in appearance; FIG. 4 is a bottom plan view of the digital thermometer; FIG. 5 is a back end view of the thermometer; FIG. 6 is a front end view of the digital thermometer; FIG. 7 is a perspective view of another embodiment of the digital thermometer; FIG. 8 is a top plan view of the digital thermometer; FIG. 9 is a side elevational view of the digital thermometer, the opposite side being the same in appearance; FIG. 10 is a bottom plan view of the digital thermometer; FIG. 11 is a back end view of the digital thermometer; and, FIG. 12 is a front end view of the digital thermometer.

[56] References Cited U.S. PATENT DOCUMENTS

D. 254,189	2/1980	Proscky	D10/57
D. 254,779	4/1980	Sulek et al.	D10/57
D. 287,473	12/1986	Ueno	D10/57
D. 287,829	1/1987	Osaka	D10/57
D. 298,219	10/1988	Muller	D10/57
D. 309,866	8/1990	Fukuda et al.	D10/57
D. 337,533	7/1993	Zaragoza	D10/57
2,797,682	7/1957	Kannenberg	128/2
3,221,555	12/1965	Biber	73/362
3,576,129	4/1971	Crites	73/358
3,946,613	3/1976	Silver	73/362
4,054,057	10/1977	Kluge	73/343
4,072,054	2/1978	Blouin et al.	73/343
4,159,648	7/1979	Proscky	73/362
4,159,766	7/1979	Kluge	206/306
4,166,389	9/1979	Montren	73/343

1 Claim, 2 Drawing Sheets

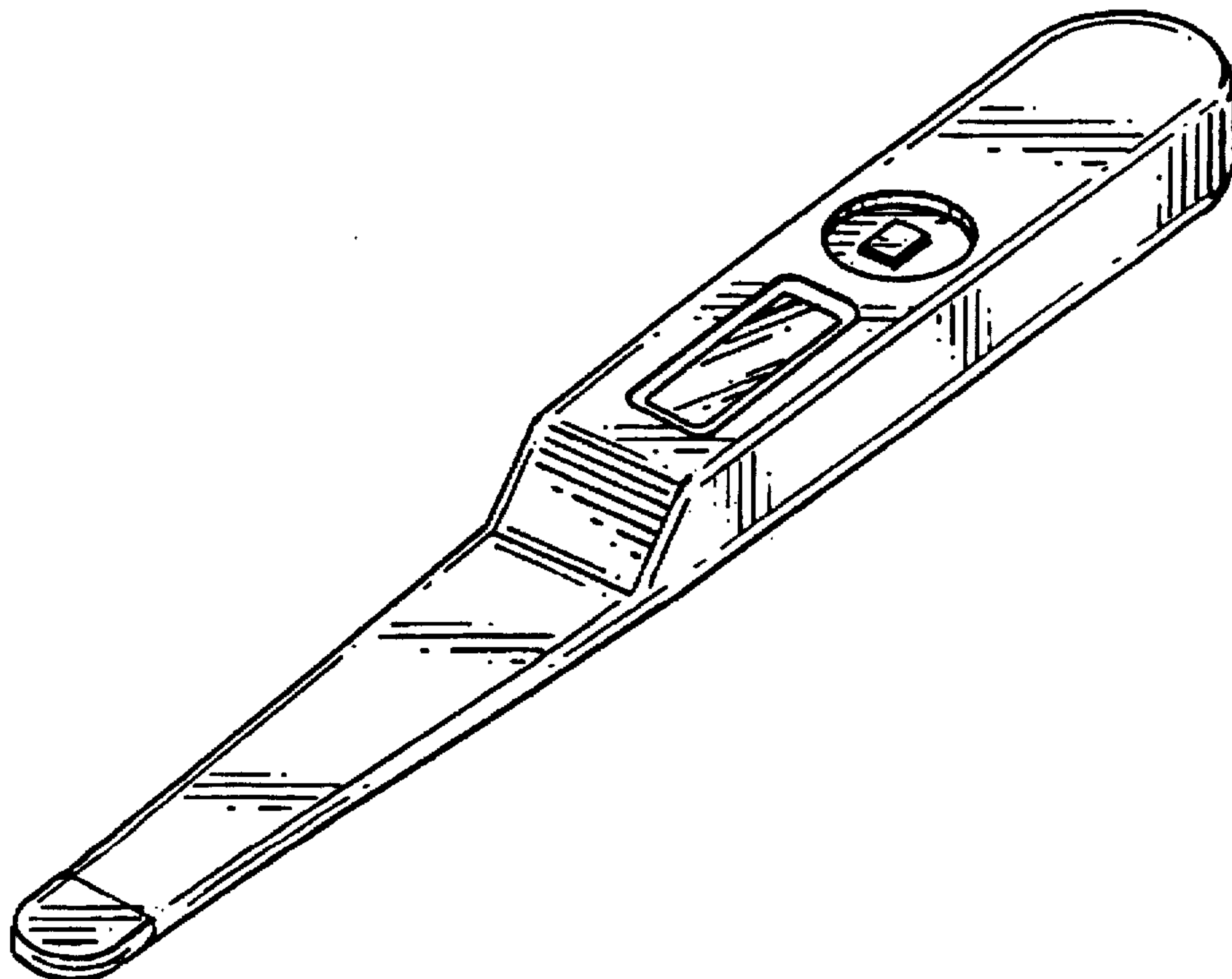


FIG. 1

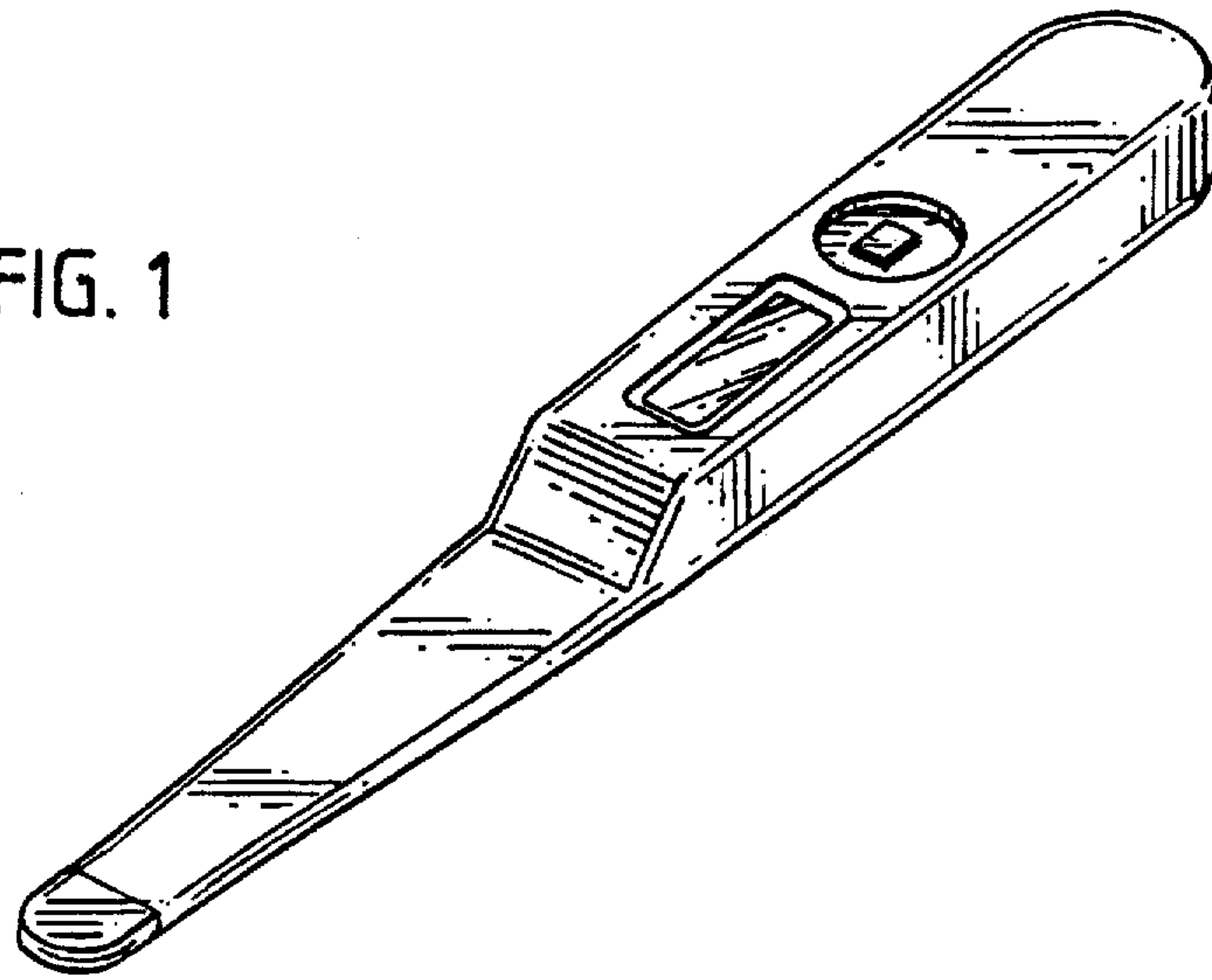


FIG. 2

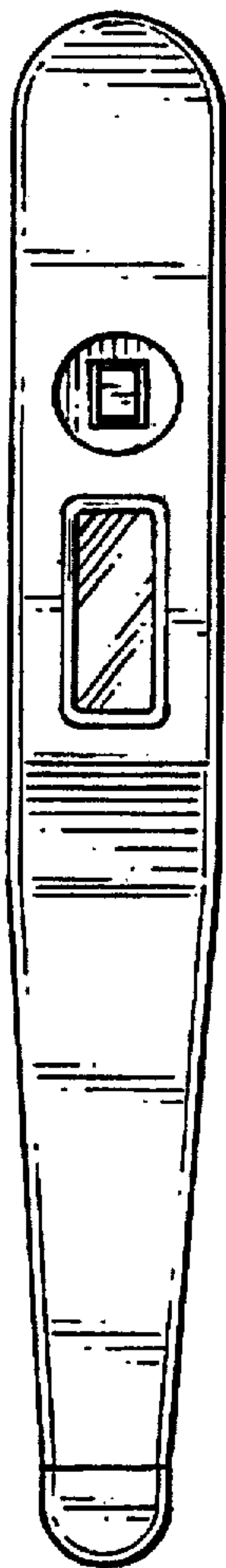


FIG. 3



FIG. 4

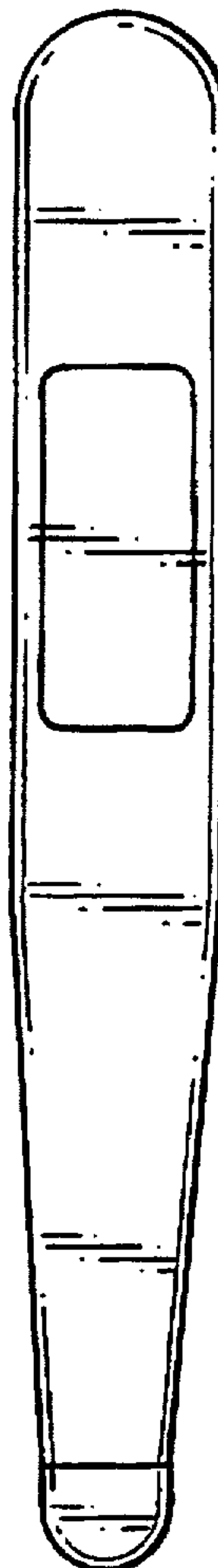
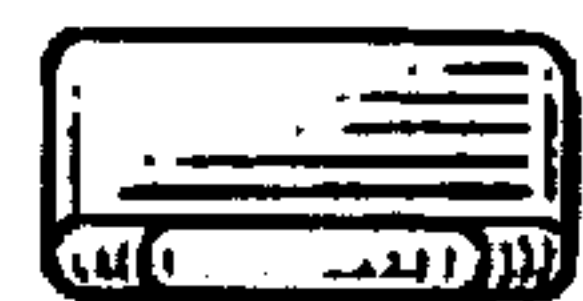


FIG. 5



FIG. 6



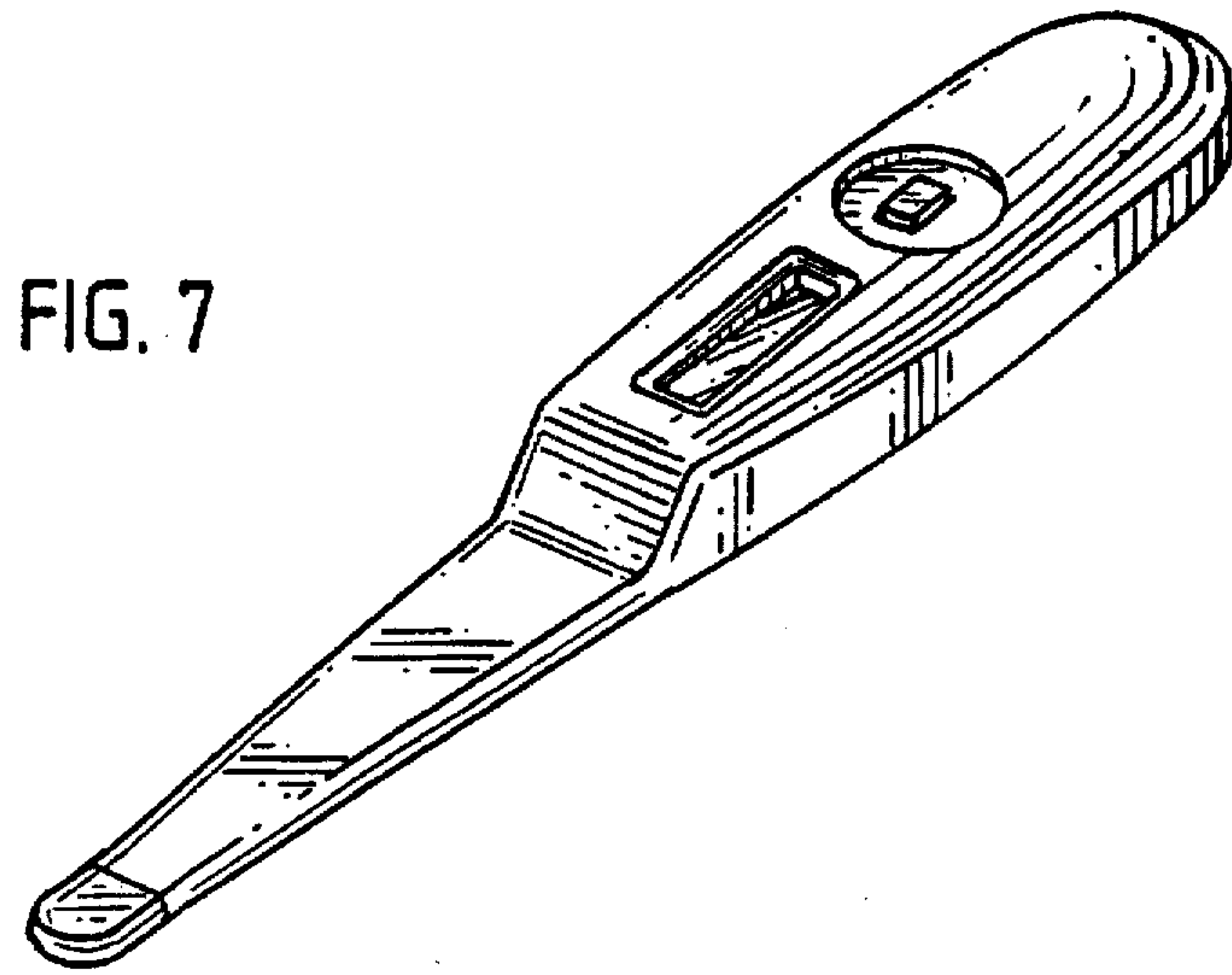


FIG. 8

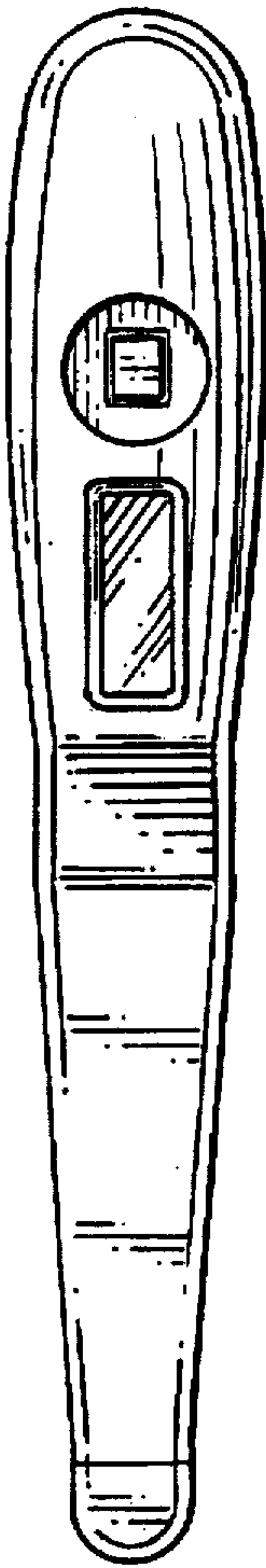


FIG. 9

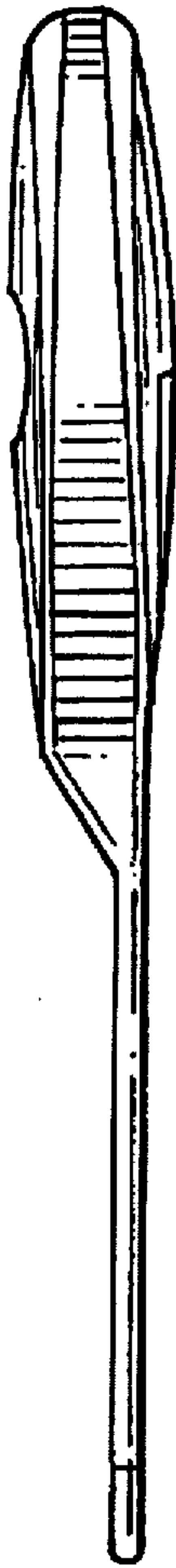


FIG. 10

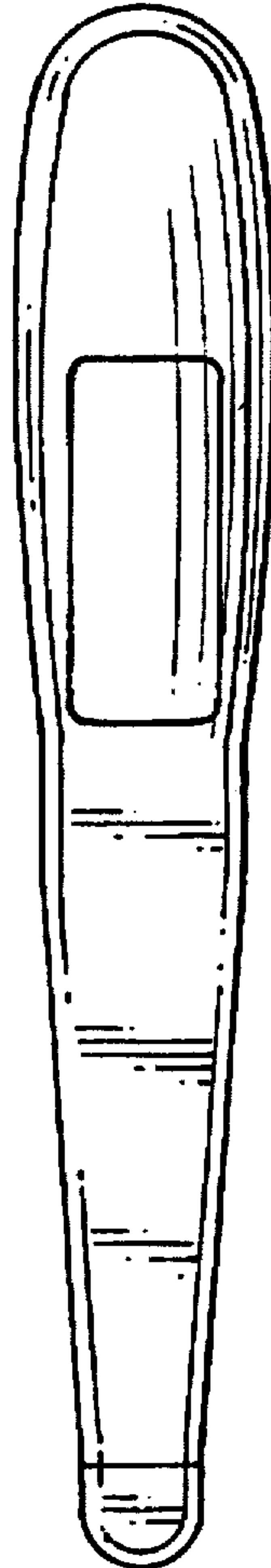


FIG. 11

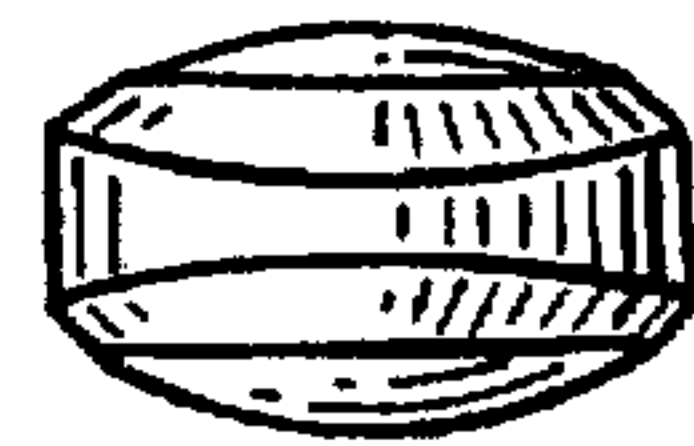


FIG. 12

