

US00D385198S

United States Patent [19] Plogman

[11] Patent Number: **Des. 385,198**

[45] Date of Patent: ****Oct. 21, 1997**

[54] **CLOCK**

[76] Inventor: **David Plogman**, 211 Chelsea Dr.,
Decatur, Ga. 30030

[**] Term: **14 Years**

[21] Appl. No.: **50,135**

[22] Filed: **Feb. 8, 1996**

[51] LOC (6) Cl. **10-01**

[52] U.S. Cl. **D10/15; D10/2**

[58] Field of Search D10/1-40, 122-132;
D14/192, 218, 179; 368/280-282, 82-84,
276-277, 239-242, 285, 10; 455/100, 344,
350

[56] **References Cited**

U.S. PATENT DOCUMENTS

D. 276,313	11/1984	Matthias	D10/15
D. 283,403	4/1986	Chan	D10/15
D. 292,677	11/1987	Jordi	D10/31
D. 295,501	5/1988	Brayford	D10/31
D. 313,758	1/1991	Klose	D10/31

D. 313,759	1/1991	Nomizu	D10/31
D. 316,818	5/1991	Wada	D10/24
D. 375,689	11/1996	Wong	D10/15

OTHER PUBLICATIONS

Hong Kong Enterprise-Dec. 1981-p. 280-Clock at top-right.

Hong Kong Enterprise-Jan. 1984-p. 13-Clock at right.

Primary Examiner-Nelson C. Holtje

[57] **CLAIM**

The ornamental design for a clock, as shown and described.

DESCRIPTION

FIG. 1 is a perspective view of a clock of the present invention;

FIG. 2 is a left side elevational view of the clock of FIG. 1, the right side being a mirror image thereof;

FIG. 3 is a top plan view of the clock of FIG. 1;

FIG. 4 is a rear elevational view of the clock of FIG. 1; and,

FIG. 5 is a front elevational view of the clock of FIG. 1.

1 Claim, 2 Drawing Sheets

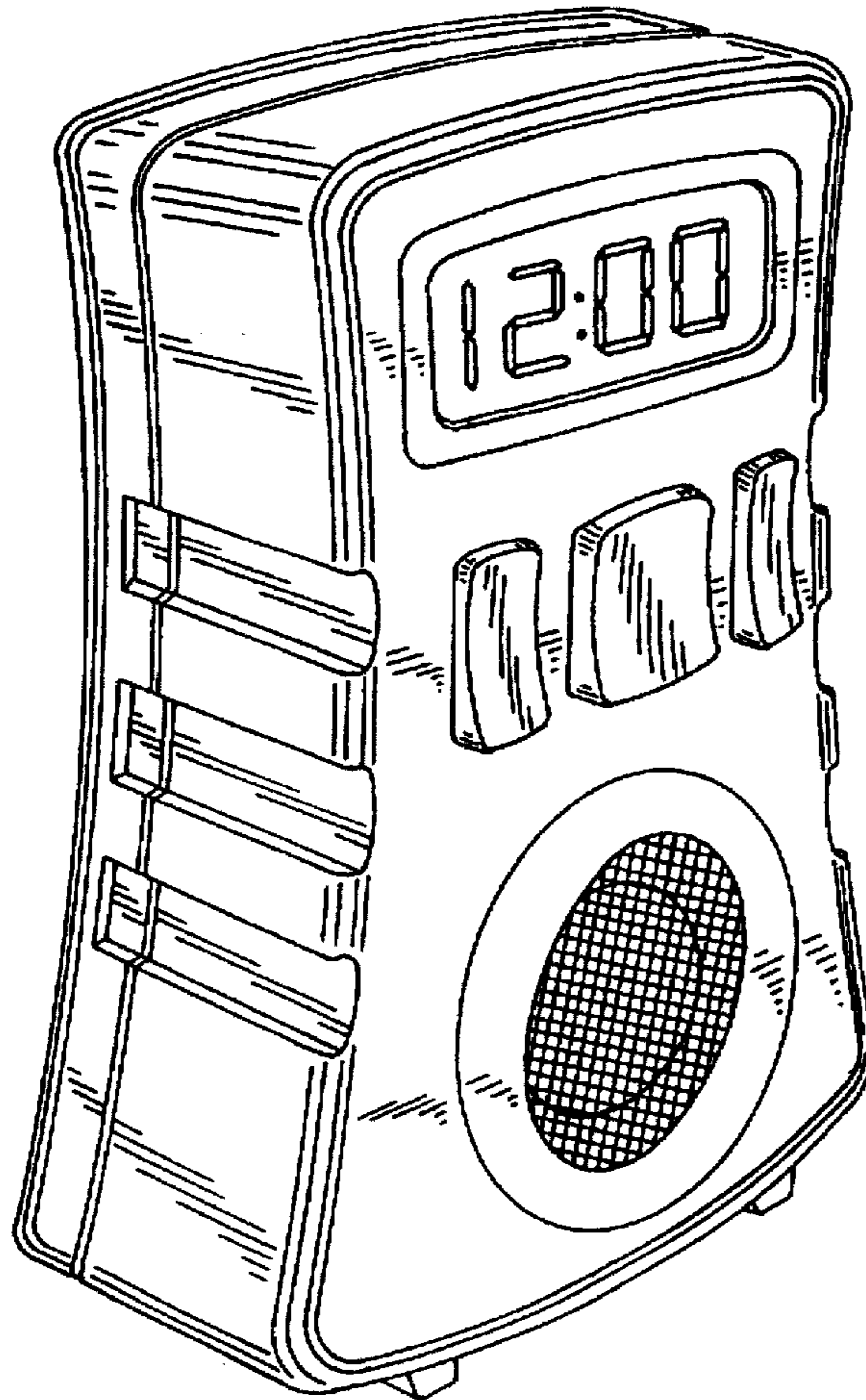


FIG. 1

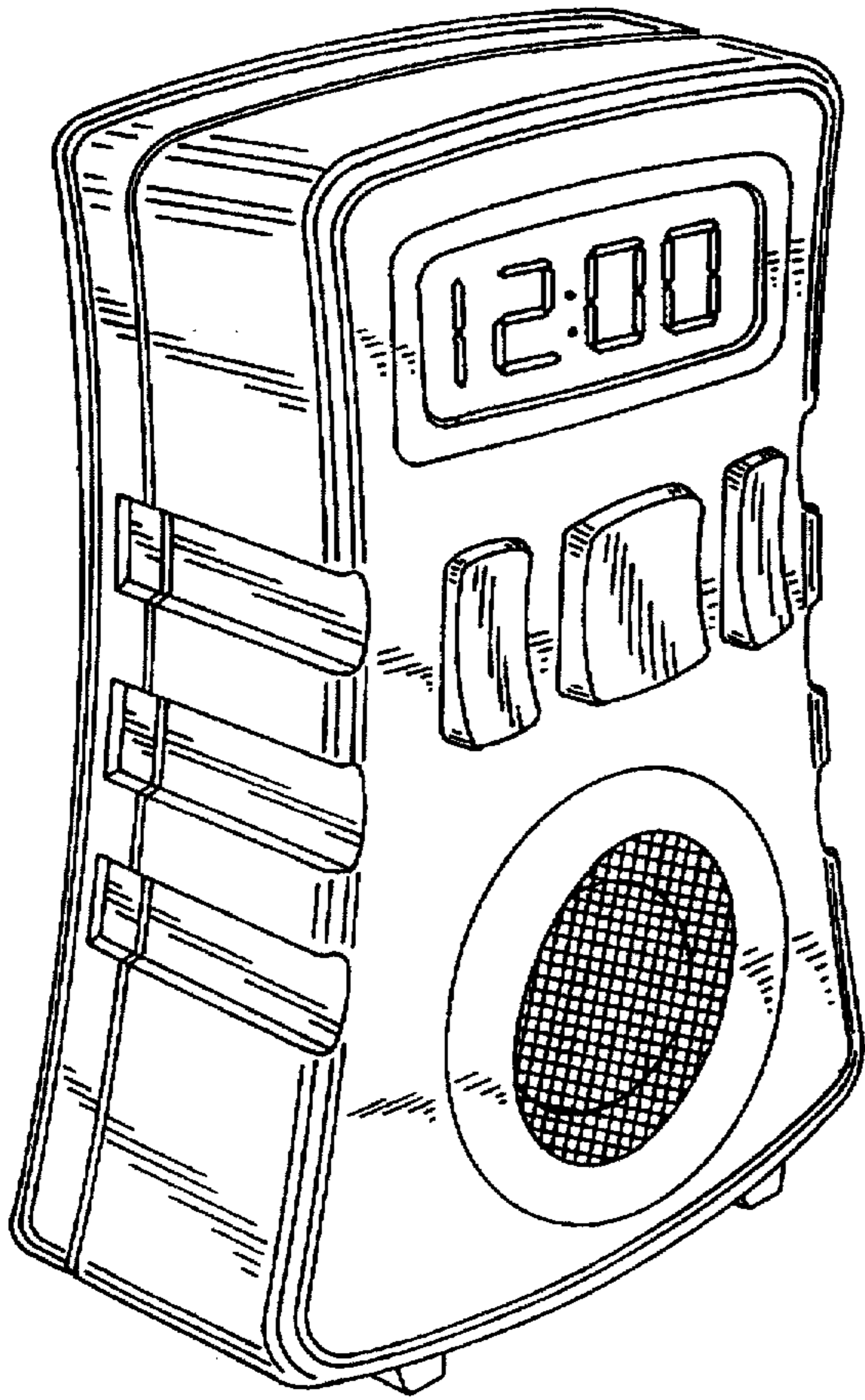


FIG. 2

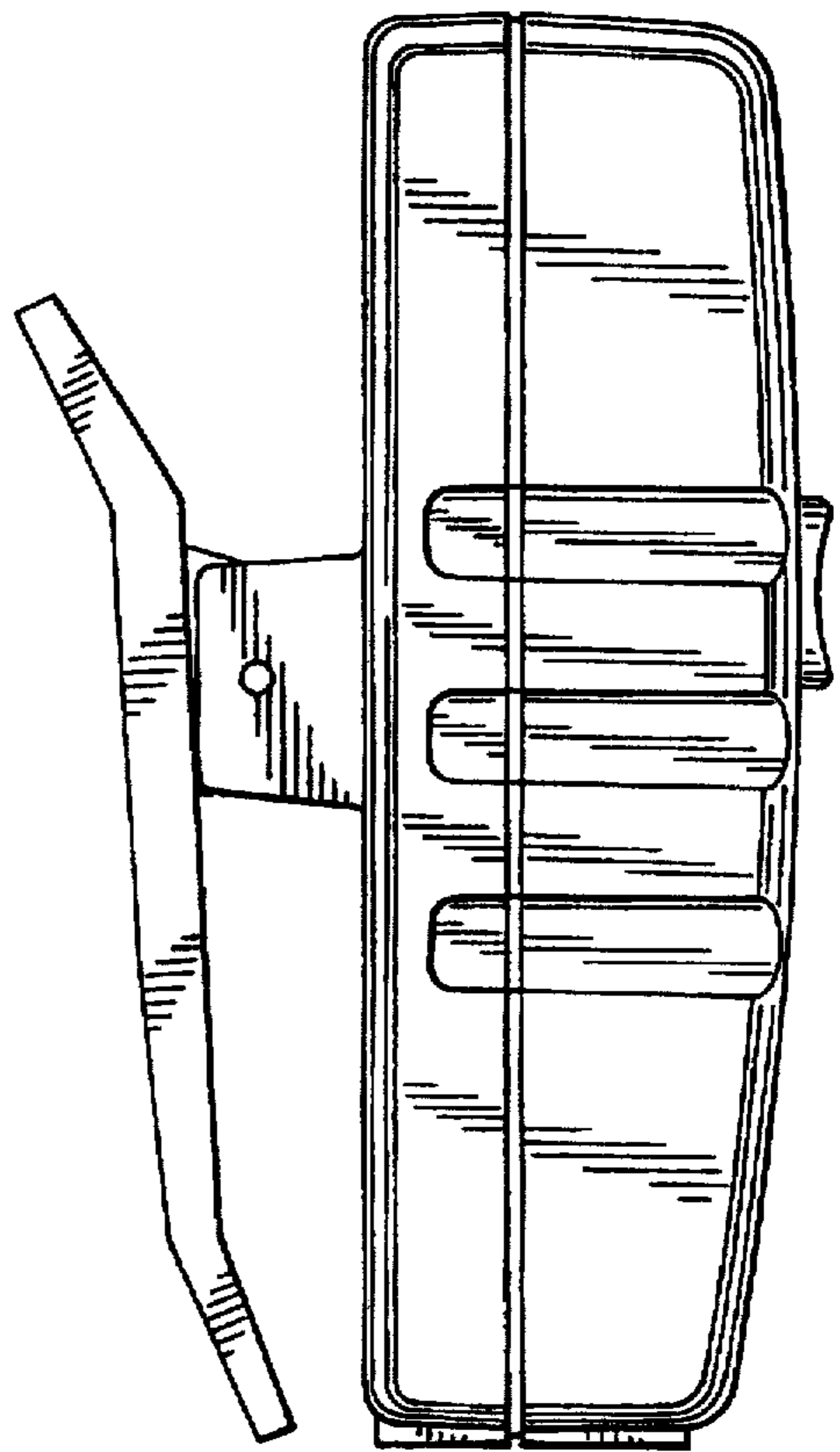


FIG. 3

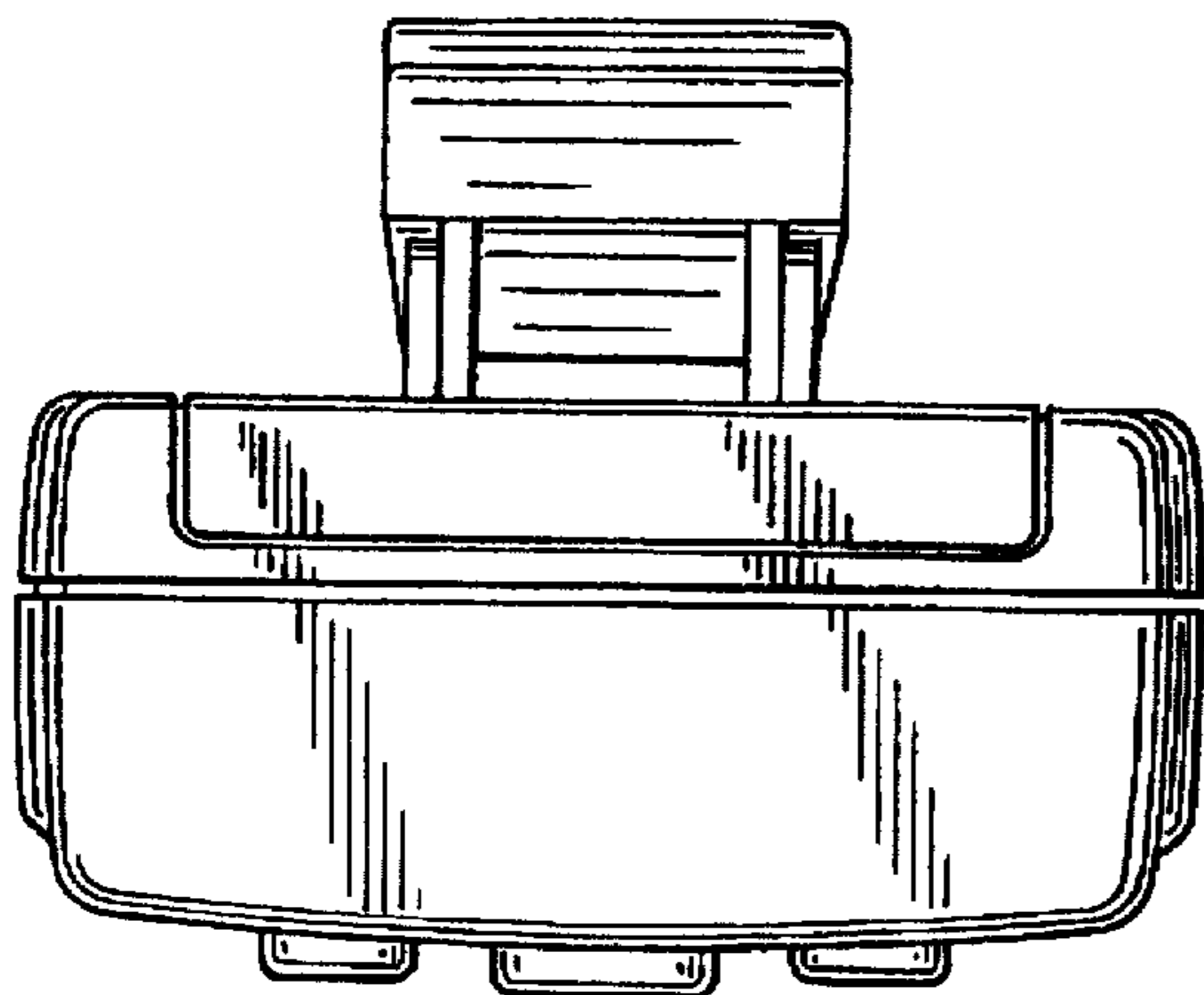


FIG. 4

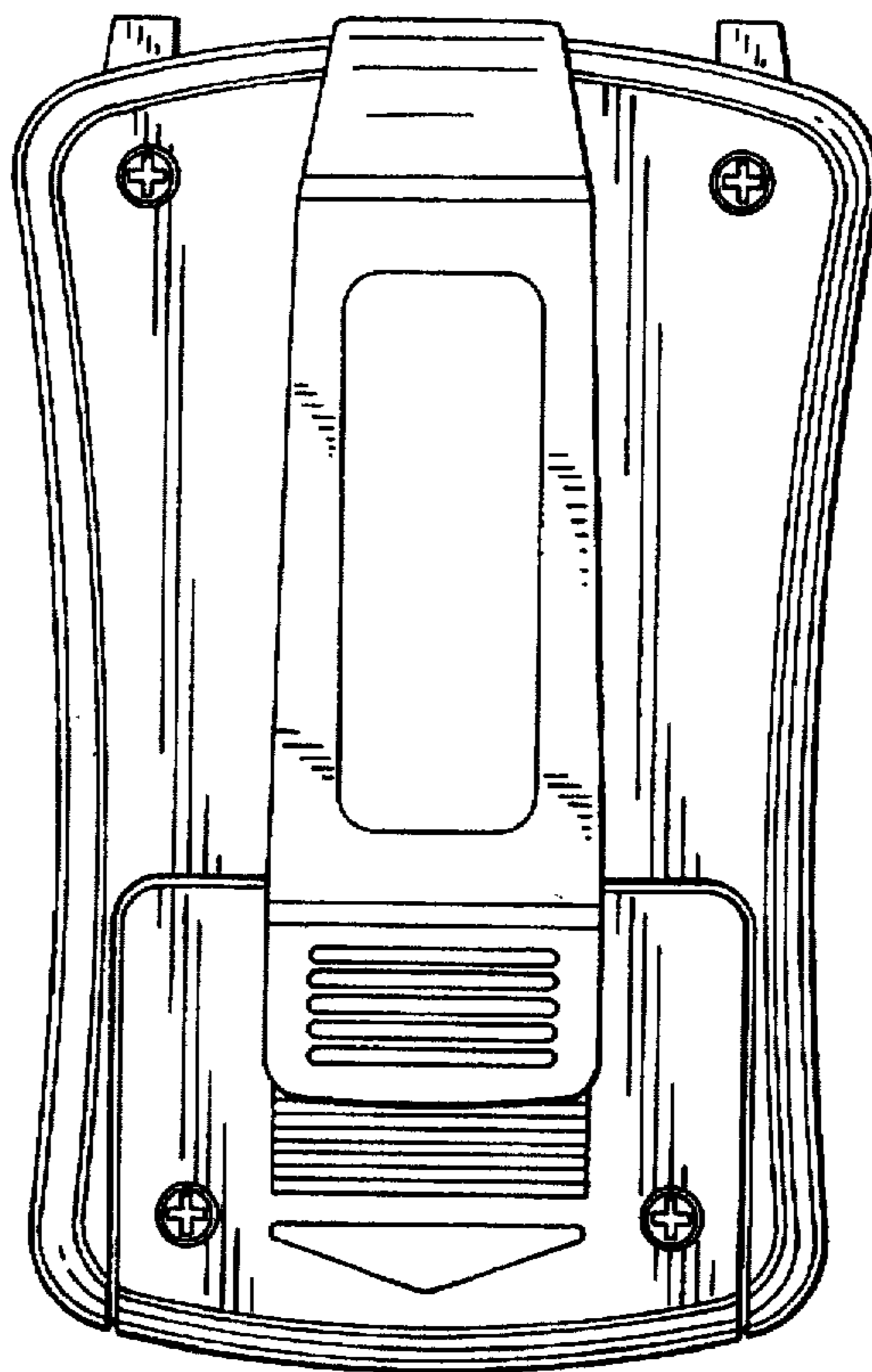


FIG. 5

