



US00D385191S

United States Patent [19] Cheek

[11] Patent Number: **Des. 385,191**
[45] Date of Patent: ****Oct. 21, 1997**

[54] **DISPOSABLE BOTTLE CAP WITH INTEGRATED VALVE FOR BOTTLE PRESSURIZATION**

5,465,858 11/1995 Gargione 215/252
5,501,349 3/1996 McCandless 215/252
5,503,282 4/1996 Montgomery 215/252
5,588,562 12/1996 Sander et al. 215/252 X

[76] Inventor: **John Dickinson Cheek**, 1007 LaQuinta Dr., Orlando, Fla. 32809

Primary Examiner—James Gandy
Assistant Examiner—Cathron B. Matta
Attorney, Agent, or Firm—James H. Beusse

[**] Term: **14 Years**

[57] **CLAIM**

[21] Appl. No.: **49,053**

The ornamental design for a disposable bottle cap with integrated valve for bottle pressurization, as shown and described.

[22] Filed: **Jan. 16, 1996**

[51] LOC (6) Cl. **09-07**

DESCRIPTION

[52] U.S. Cl. **D9/436; D9/452**

[58] Field of Search D9/435, 436, 442, D9/444-450, 452-454; D7/510, 11, 321, 629, 391-392.1; 215/252, 262, 311; 222/399

FIG. 1 is a perspective view of my new and ornamental design showing the lower portion thereof;

FIG. 2 is an elevation view of the design of FIG. 1;

FIG. 3 is a cross-sectional view, taken along line 3-3 of FIG. 4, of the design of FIG. 1;

FIG. 4 is a top plan view of the design of FIG. 1; and,

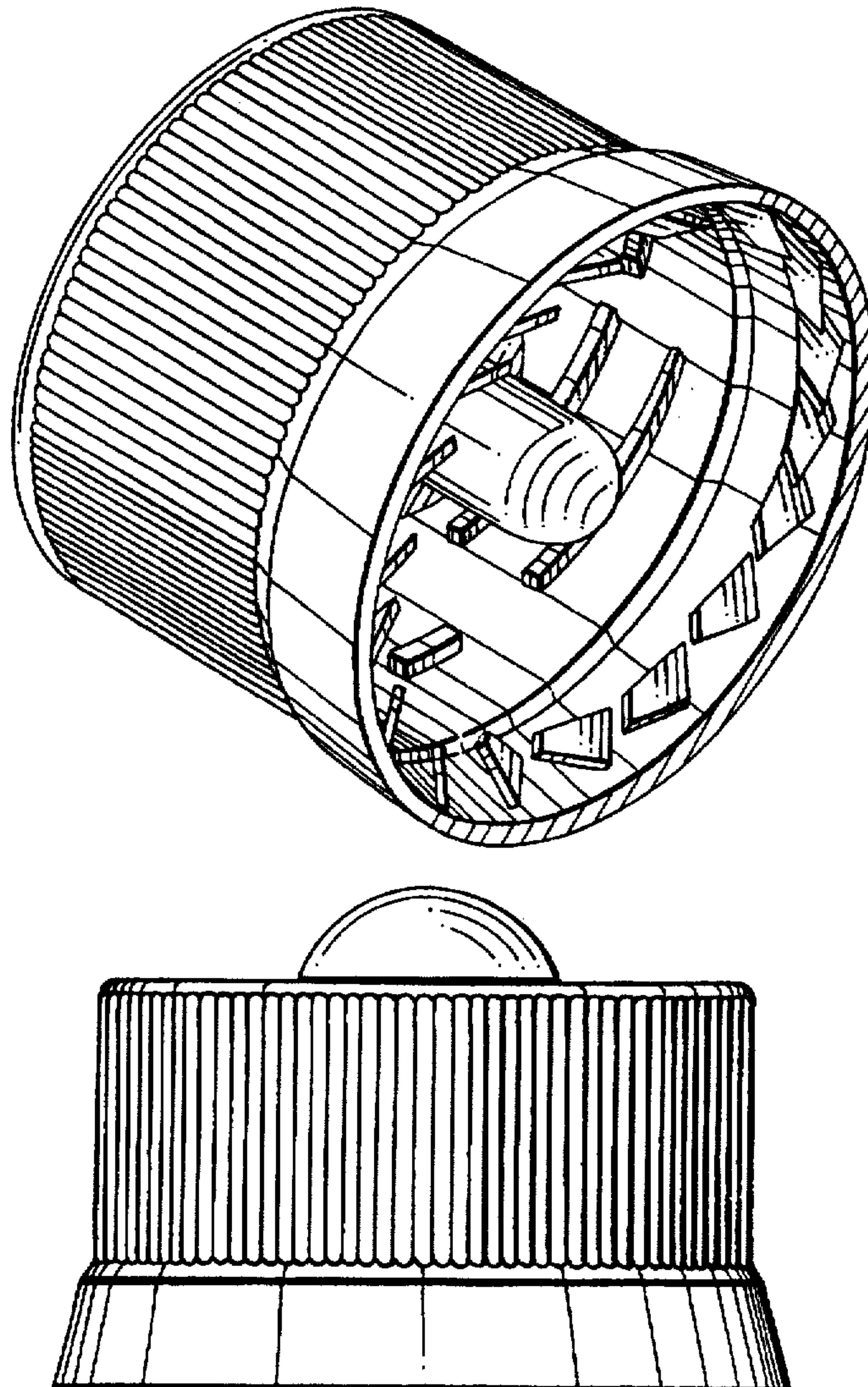
FIG. 5 is a bottom plan view of the design of FIG. 1.

[56] **References Cited**

U.S. PATENT DOCUMENTS

D. 217,955 7/1970 Howard D9/453
5,145,094 9/1992 Perlmutter 215/311 X

1 Claim, 1 Drawing Sheet



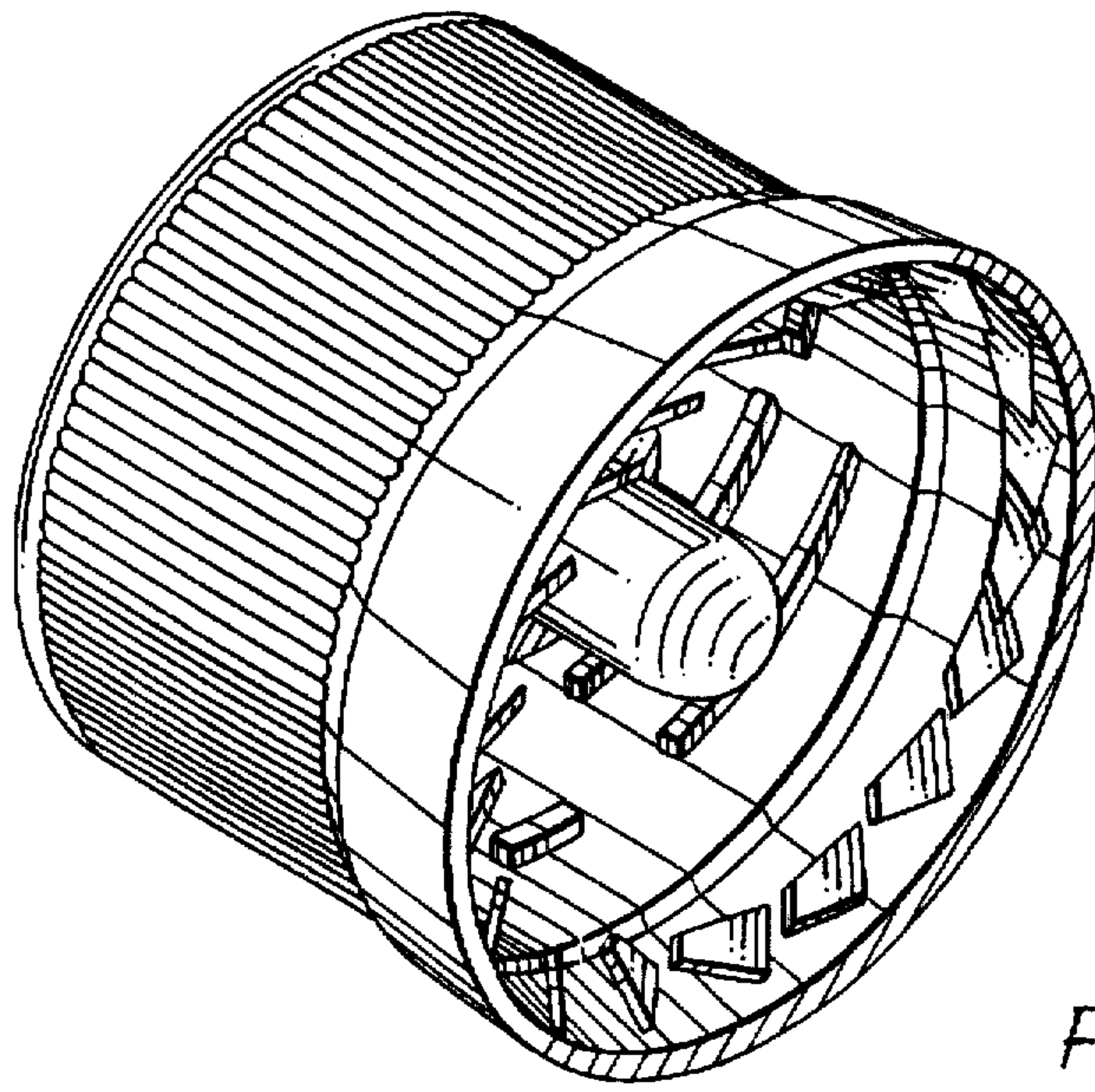


FIG. 1

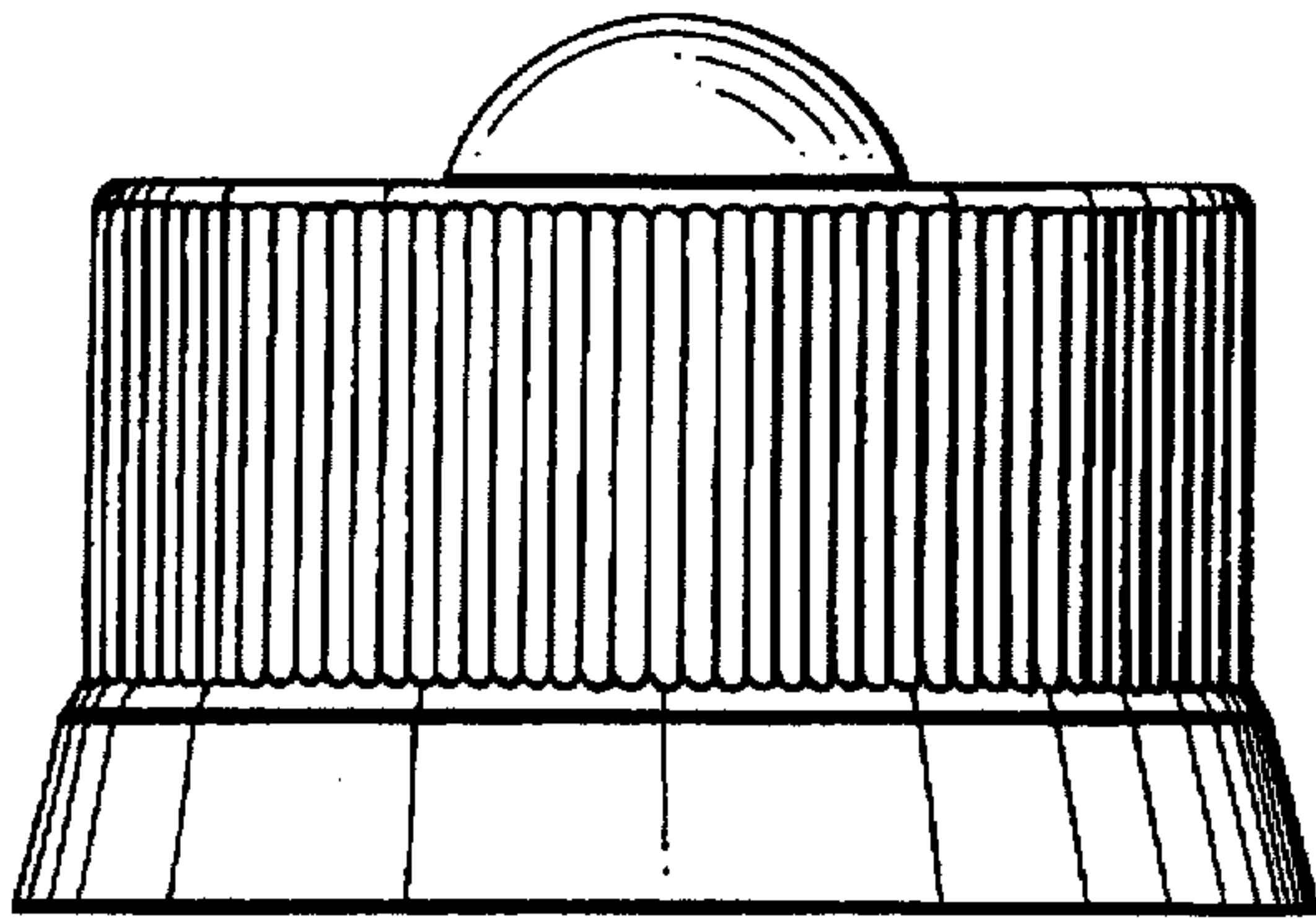


FIG. 2

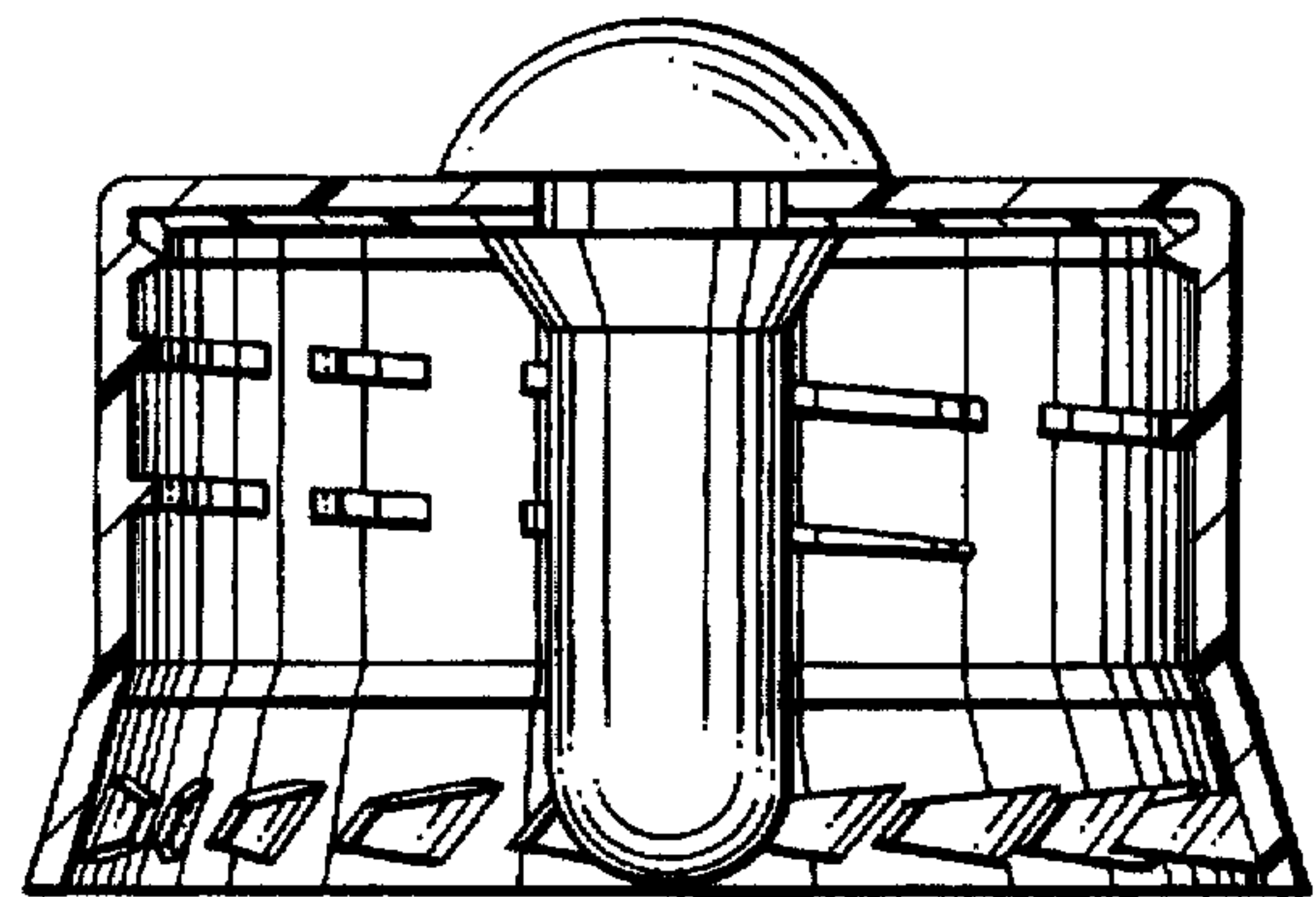


FIG. 3

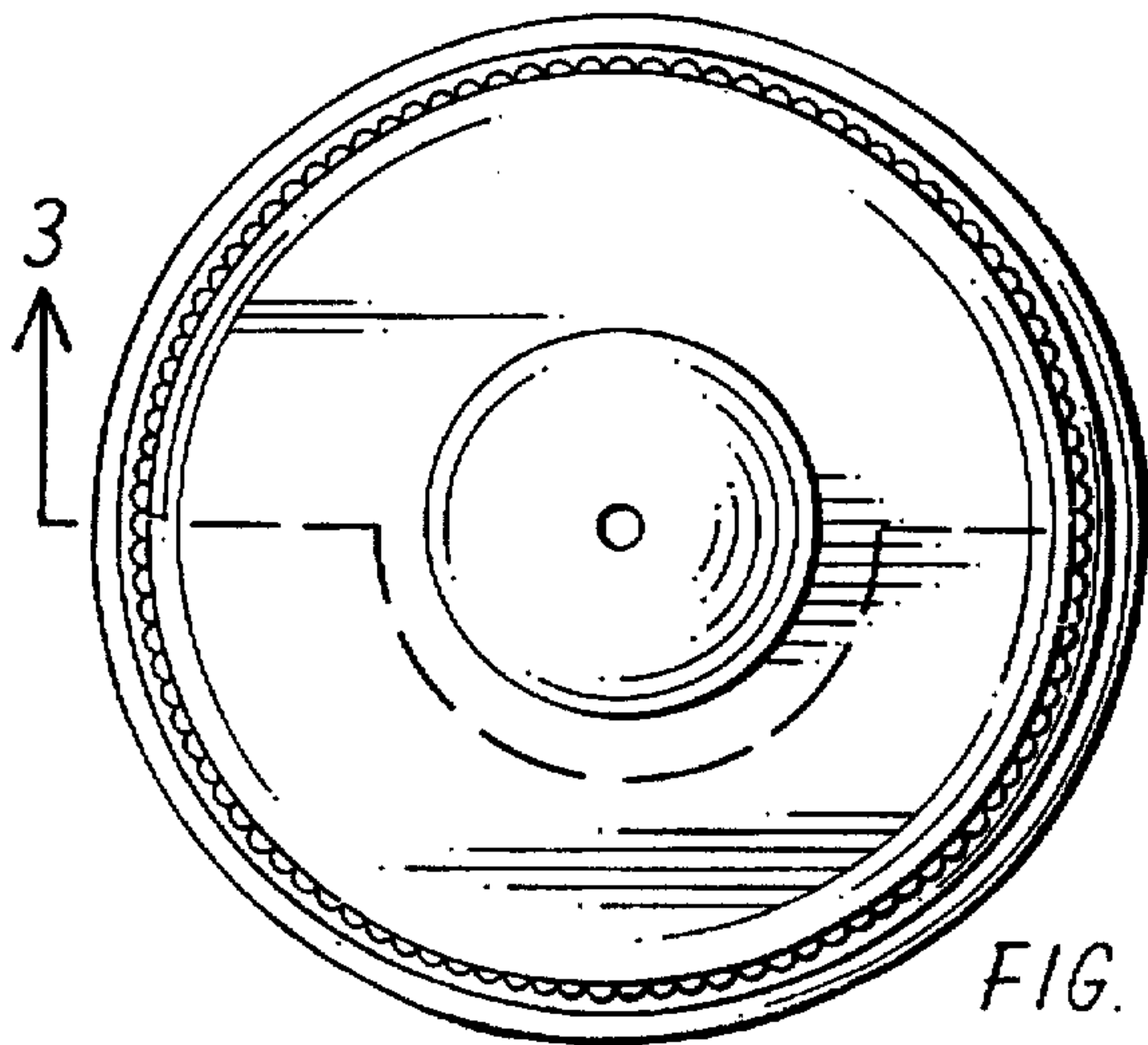


FIG. 4

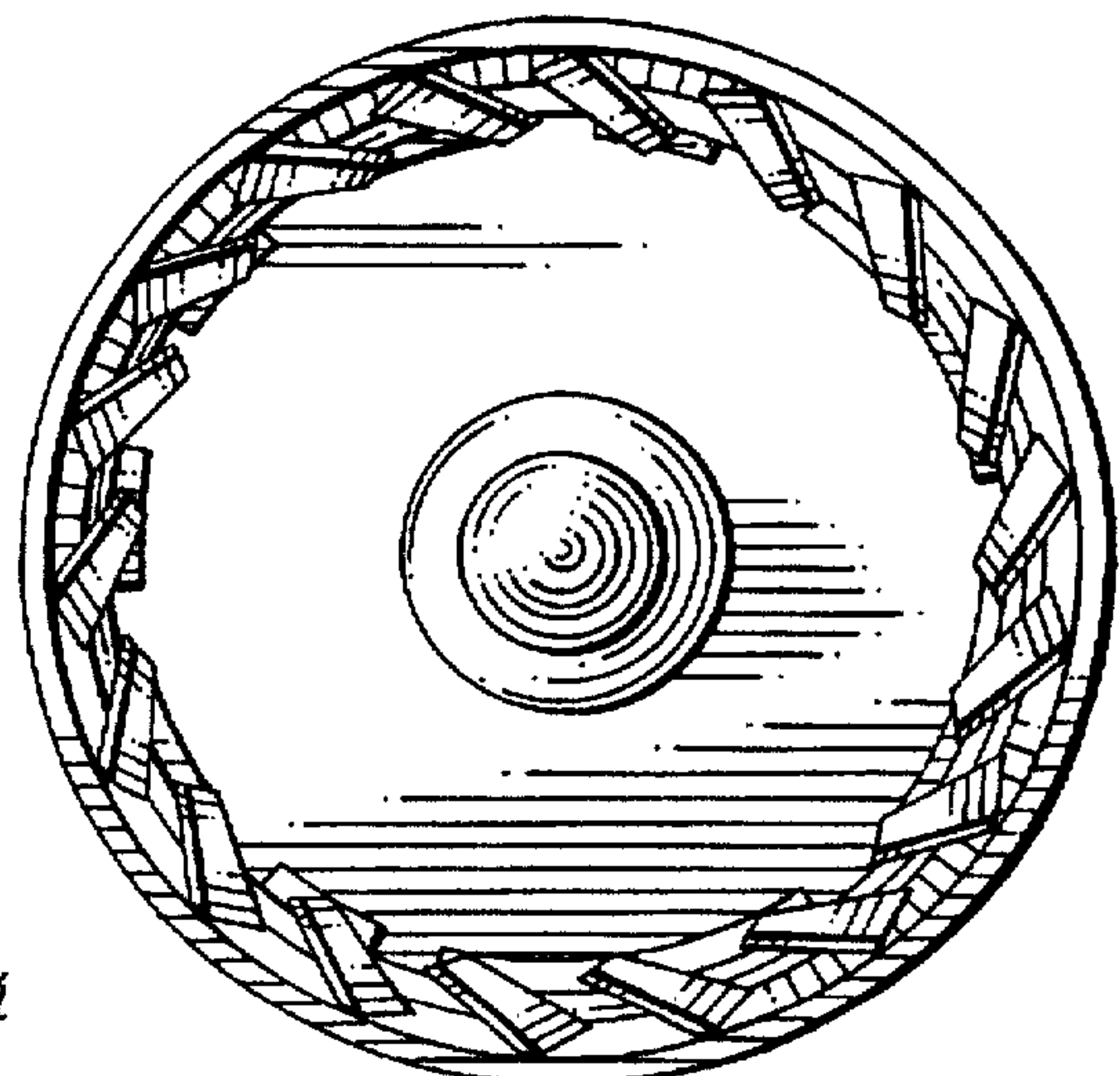


FIG. 5