



US00D385190S

United States Patent [19]

Kobilarcik et al.

[11] Patent Number: **Des. 385,190**

[45] Date of Patent: ****Oct. 21, 1997**

[54] STORAGE CONTAINER LID WITH COMPARTMENT

[75] Inventors: **Albert T. Kobilarcik, Wooster; Stacy L. Wolff, Akron, both of Ohio**

[73] Assignee: **Rubbermaid Incorporated, Wooster, Ohio**

[**] Term: **14 Years**

[21] Appl. No.: **34,991**

[22] Filed: **Dec. 14, 1994**

[51] LOC (6) Cl. **09-07**

[52] U.S. Cl. **D9/435; D3/326**

[58] Field of Search D3/201, 272, 273, D3/323, 326; 206/508, 518, 512; 220/356, 334, 337, 338; D9/435, 425, 424, 432; D7/391, 392.1

[56] **References Cited**

U.S. PATENT DOCUMENTS

- D. 302,774 8/1989 Murphy D9/425 X
- D. 319,977 9/1991 Curry D9/425

- D. 362,117 9/1995 Koenig et al. D3/326
- D. 367,361 2/1996 Kobilarcik et al. D3/326
- 4,523,692 6/1985 Lemkin 206/508 X
- 4,819,795 4/1989 Swaney 206/508 X
- 5,062,539 11/1991 Chadler 206/508 X

Primary Examiner—Prabhakar G. Deshmukh
Attorney, Agent, or Firm—Richard B. O’Planick; Lisa B. Riedesel

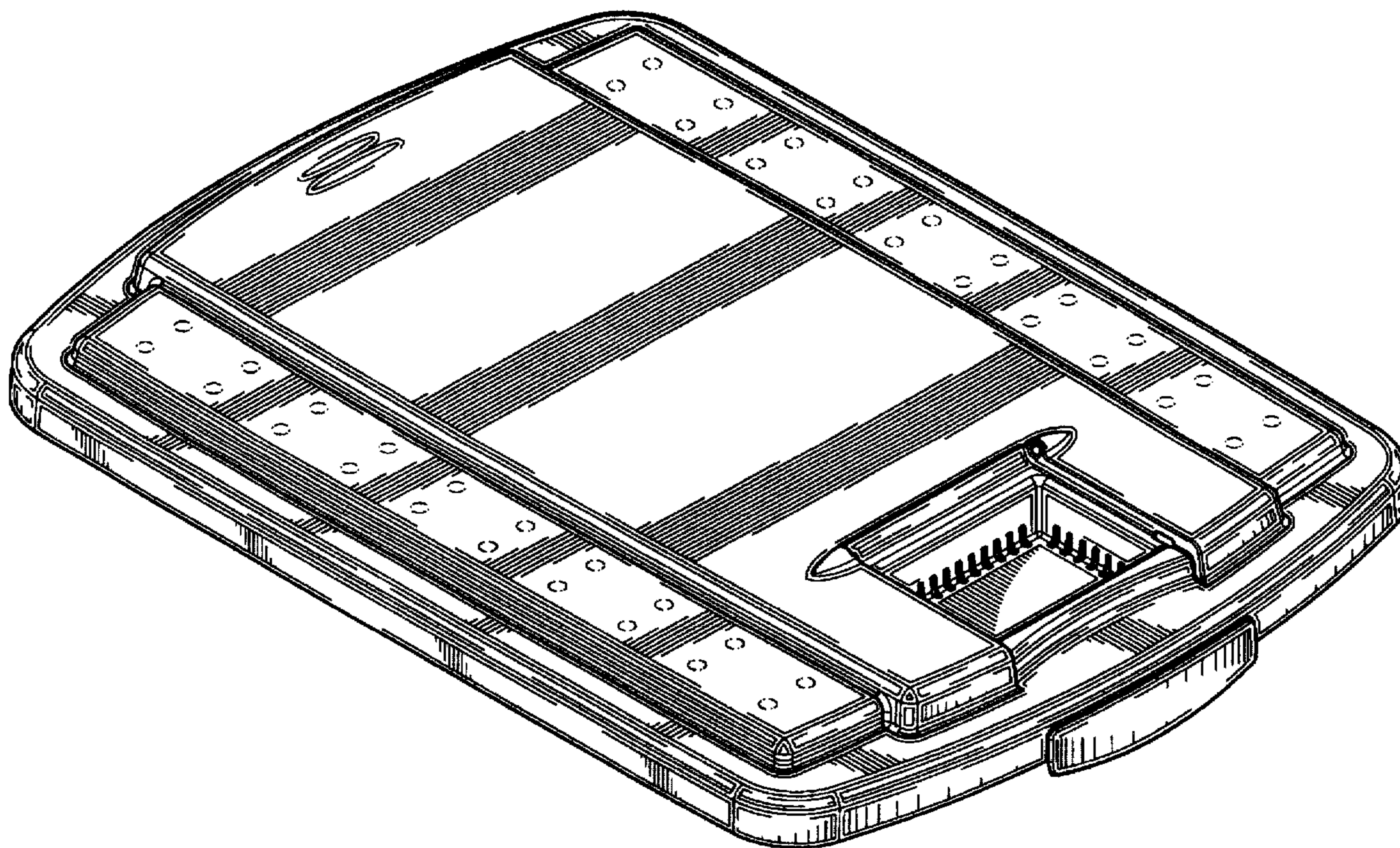
[57] **CLAIM**

The ornamental design for a storage container lid with compartment, as shown and described.

DESCRIPTION

FIG. 1 is a top right front perspective view of a storage container lid with compartment showing our new design; FIG. 2 is a top plan view thereof; FIG. 3 is a left side elevational view thereof; FIG. 4 is a right side elevational view thereof; FIG. 5 is a front elevational view thereof; the rear elevational view being a mirror image; and, FIG. 6 is a bottom plan view thereof. The broken lines are for illustrative purposes only and form no part of the claimed design.

1 Claim, 4 Drawing Sheets



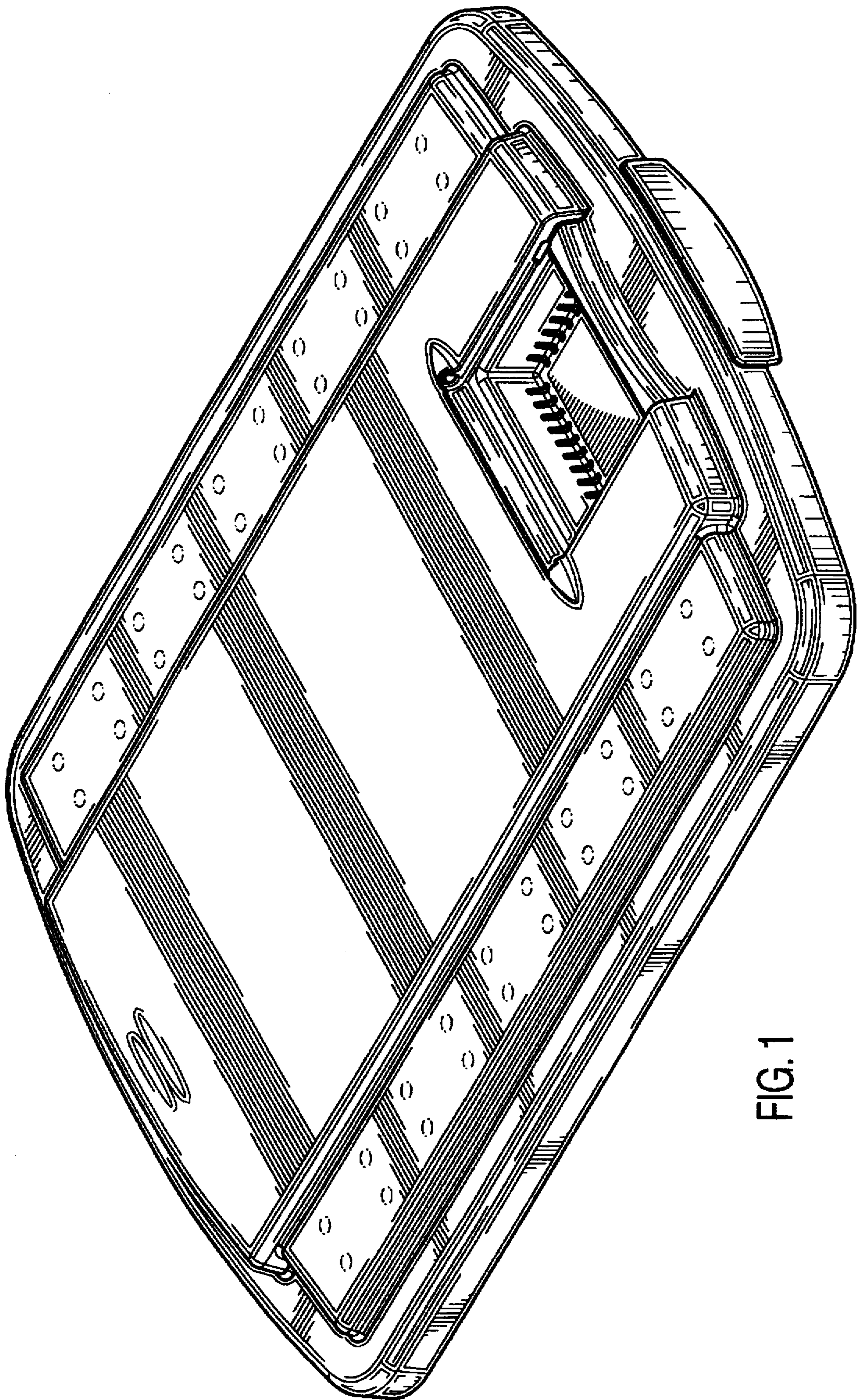


FIG. 1

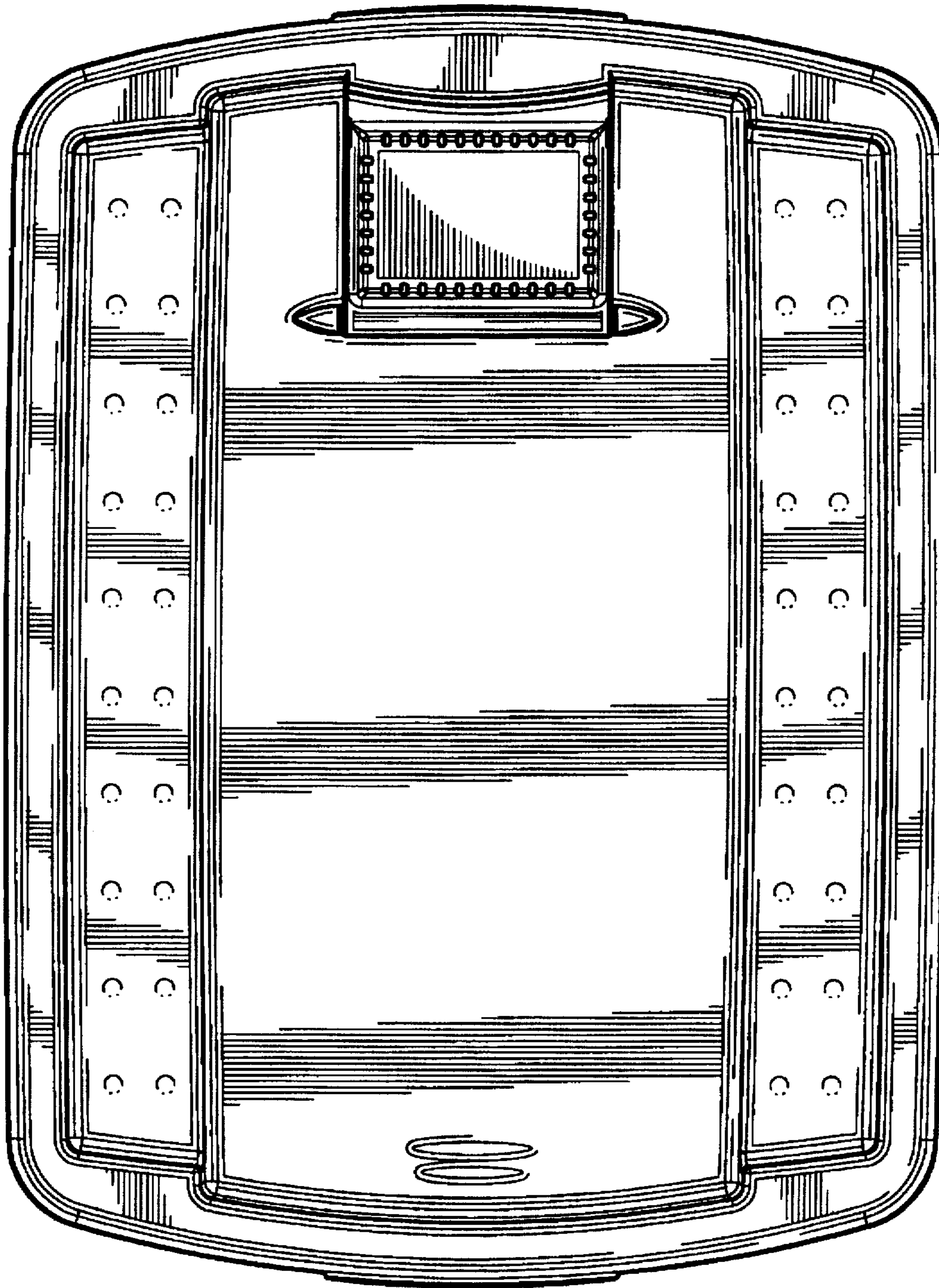


FIG. 2

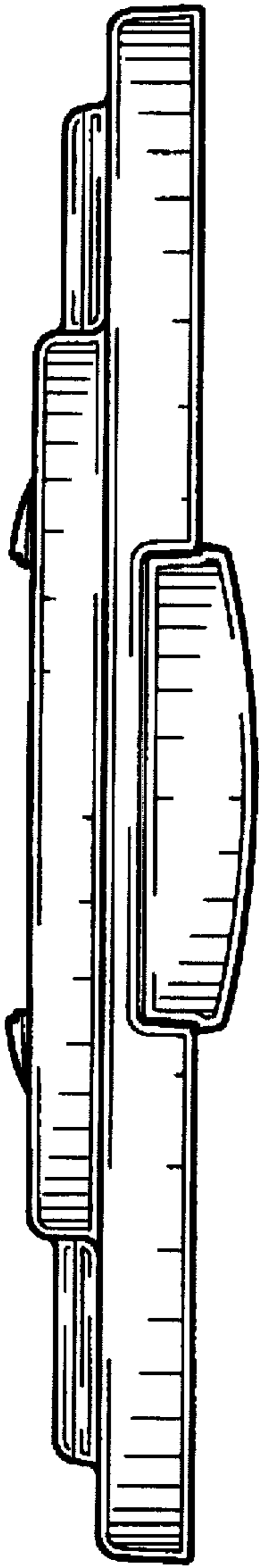


FIG. 3

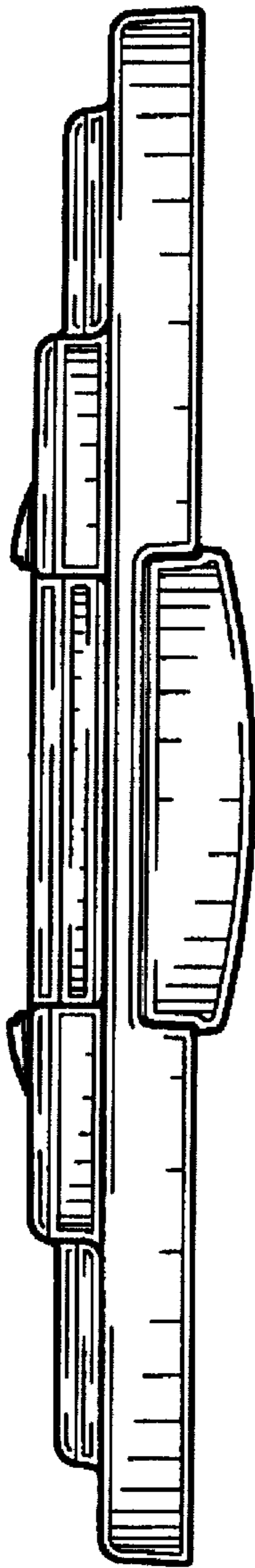


FIG. 4

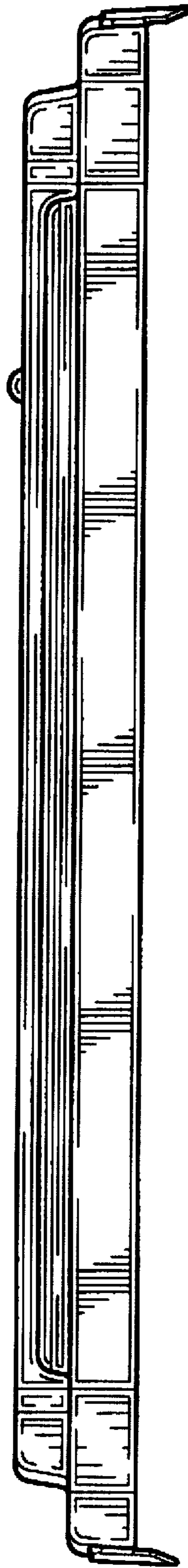


FIG. 5

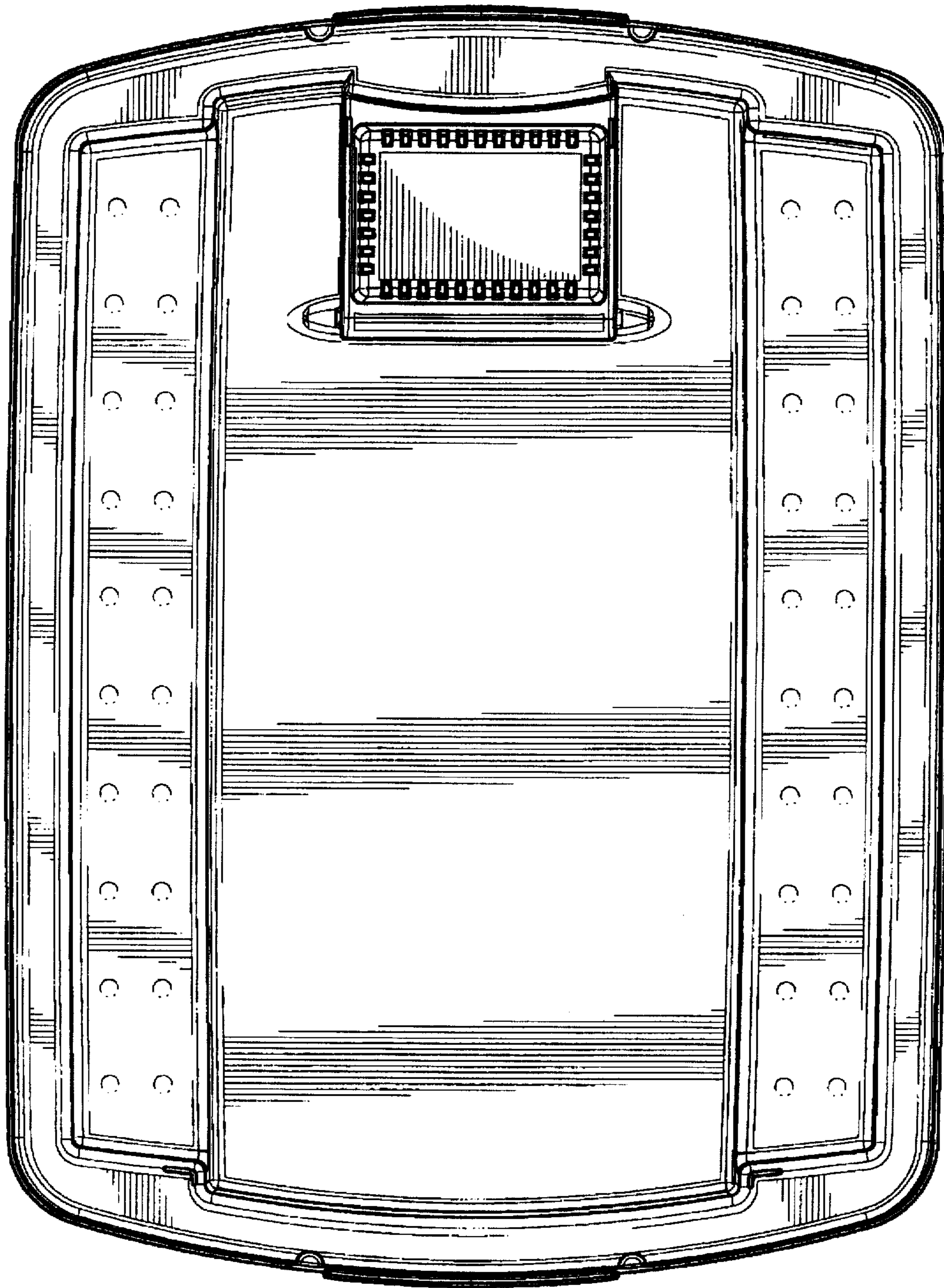


FIG. 6