



US00D385187S

United States Patent [19] Loft

[11] Patent Number: **Des. 385,187**

[45] Date of Patent: ****Oct. 21, 1997**

[54] **CARDBOARD CARTON**

[75] Inventor: **Soren A. Loft, Monrovia, Calif.**

[73] Assignee: **Multi Media Publishing & Packaging, Inc., Chatsworth, Calif.**

[**] Term: **14 Years**

[21] Appl. No.: **58,990**

[22] Filed: **Aug. 30, 1996**

[51] LOC (6) CL **09-07**

[52] U.S. Cl. **D9/433; D9/415**

[58] Field of Search **D9/337, 346, 415, D9/418, 433; 229/117.14, 117.15**

[56] **References Cited**

U.S. PATENT DOCUMENTS

- D. 267,457 1/1983 Maroszek et al. D9/433 X
- D. 316,970 5/1991 Dawson et al. D9/415
- D. 344,021 2/1994 Martin et al. D9/415 X
- 2,107,999 2/1938 Friedel 229/117.15 X

FOREIGN PATENT DOCUMENTS

- 1031438 6/1953 France 229/117.14
- 915935 1/1963 United Kingdom 229/117.15

Primary Examiner—Ted Shooman
Assistant Examiner—Nanda Bondade
Attorney, Agent, or Firm—Edgar W. Averill, Jr.

[57] **CLAIM**

The ornamental design for a cardboard carton, as shown and described.

DESCRIPTION

FIG. 1 is a perspective view showing the top, front and right side of a cardboard carton showing my new design; FIG. 2 is a top view thereof; FIG. 3 is a left side thereof; FIG. 4 is a front view thereof; FIG. 5 is a right side view thereof; FIG. 6 is a back view thereof; and, FIG. 7 is a bottom view thereof. FIG. 1 is on an enlarged scale.

1 Claim, 2 Drawing Sheets

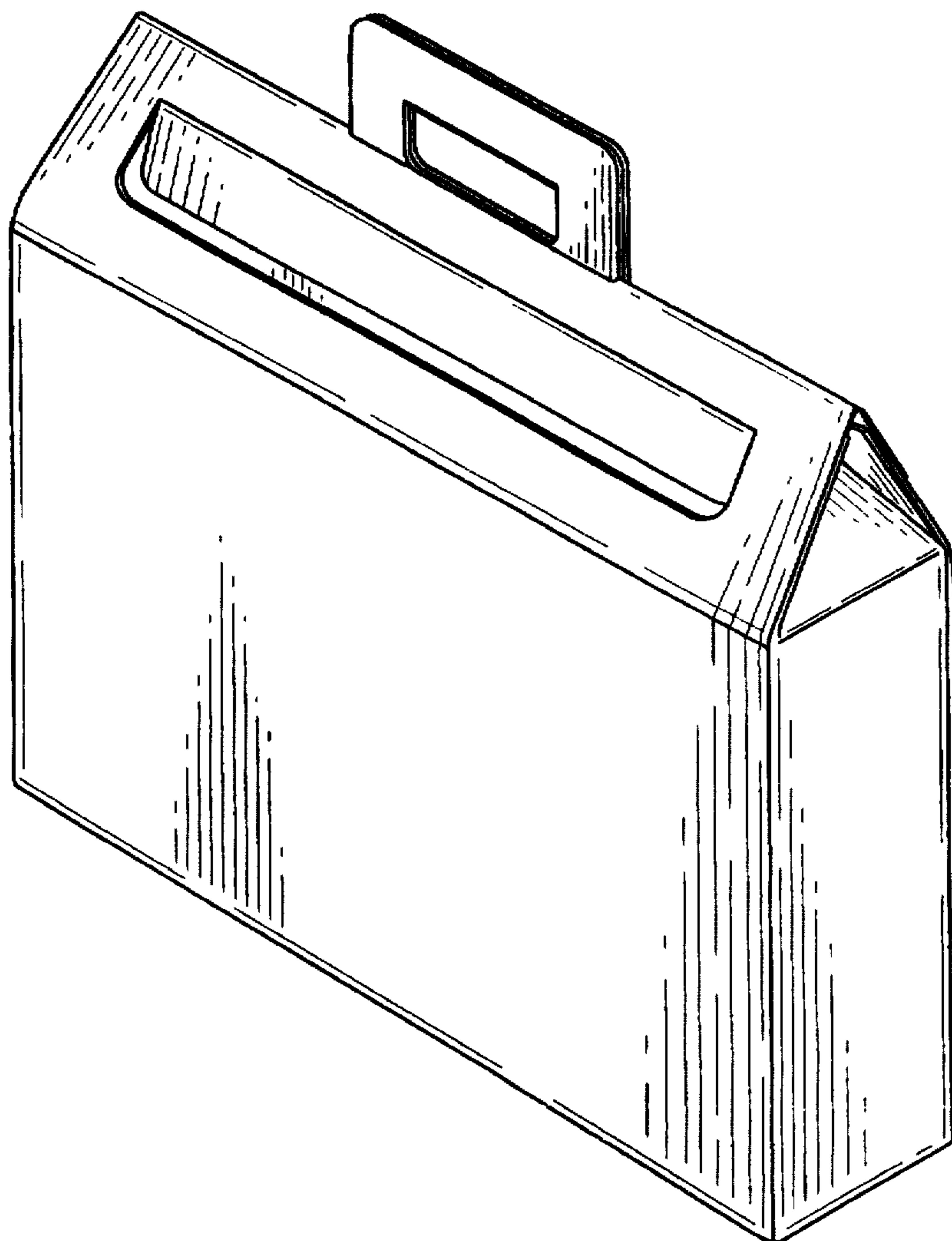
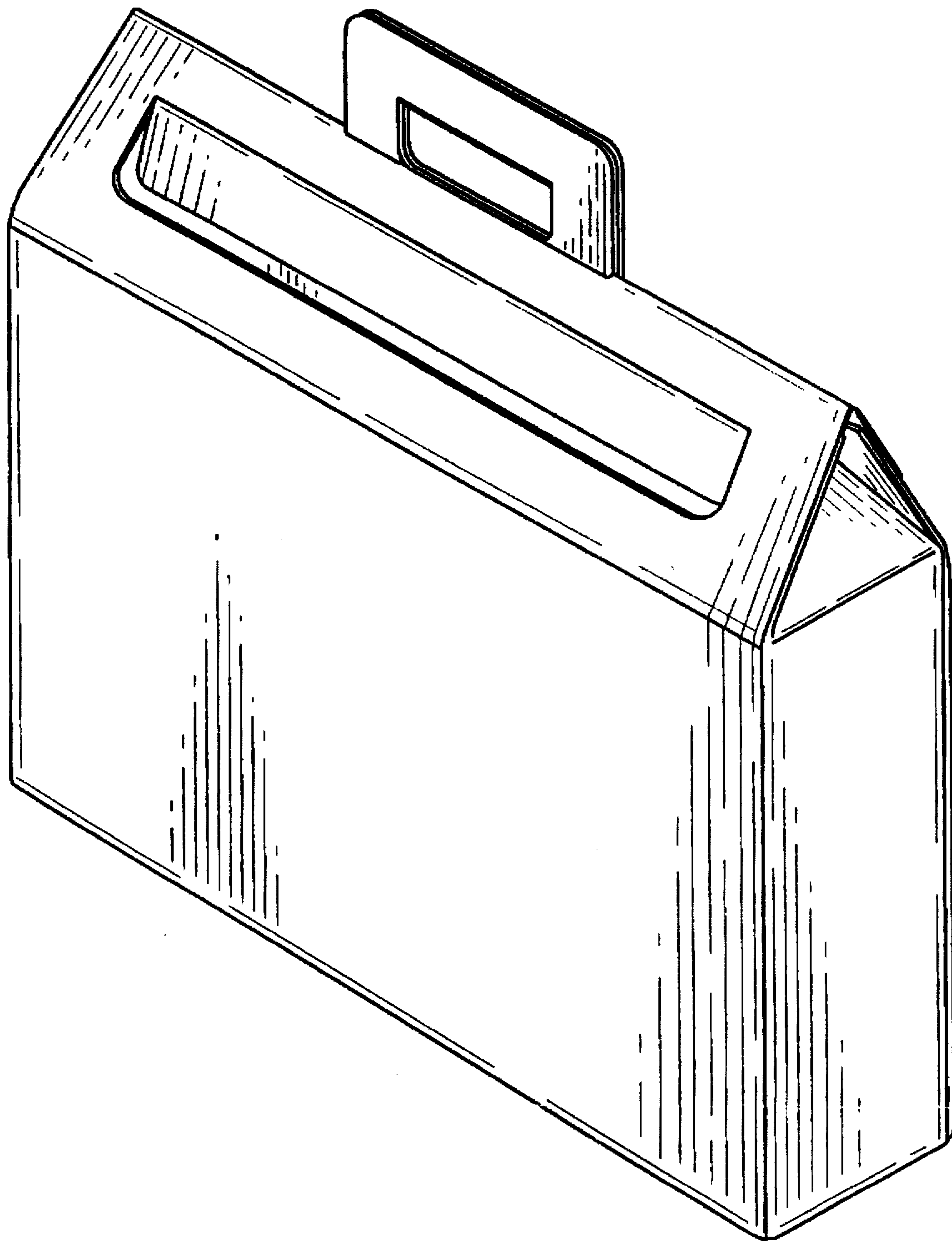


Fig. 1



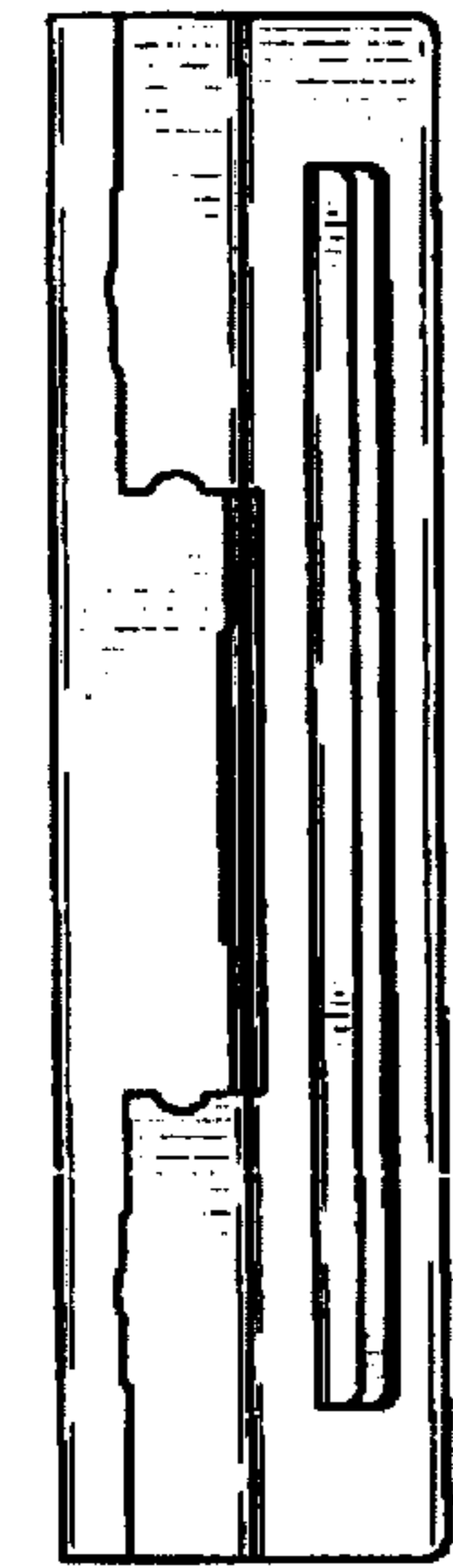


Fig. 2

Fig. 6

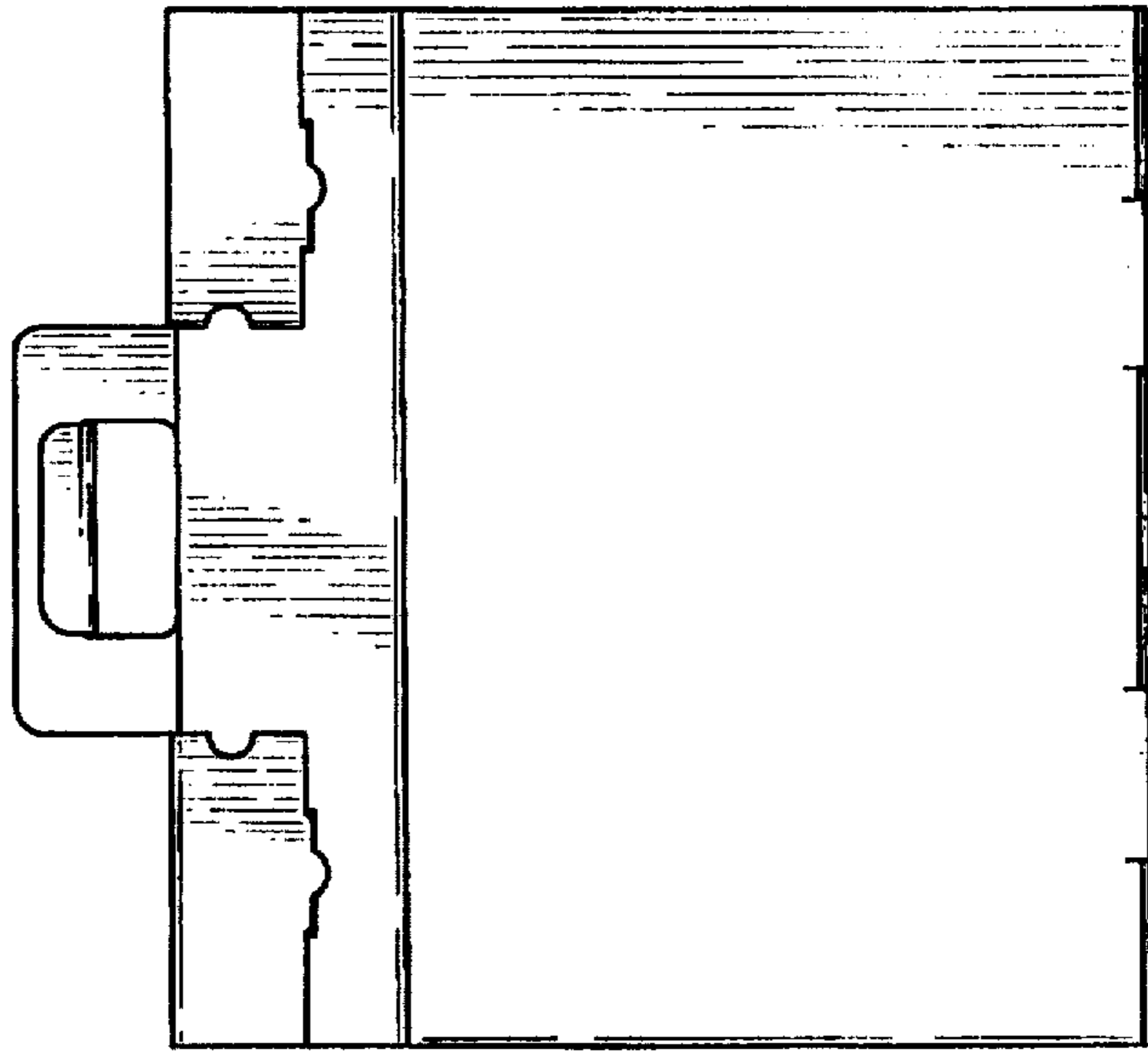


Fig. 5

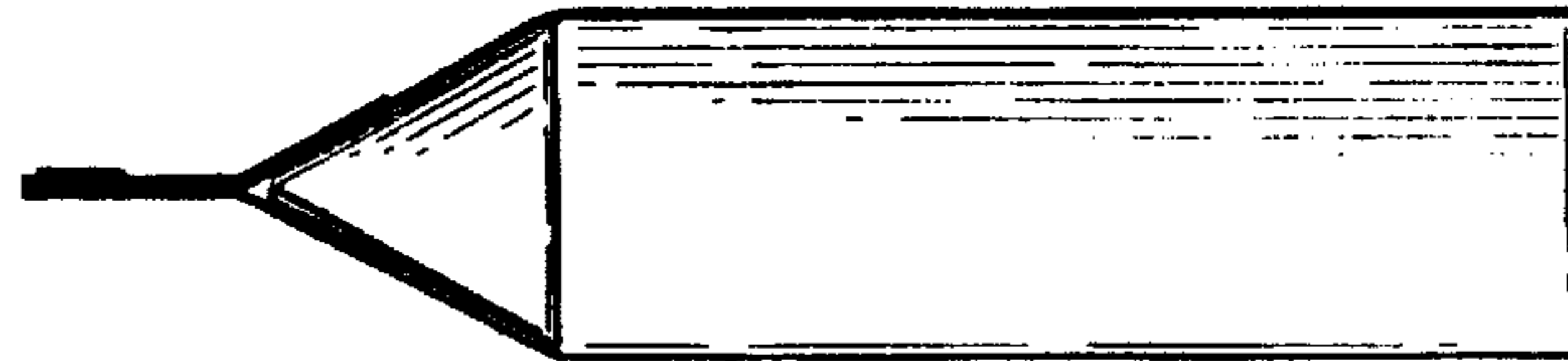


Fig. 4

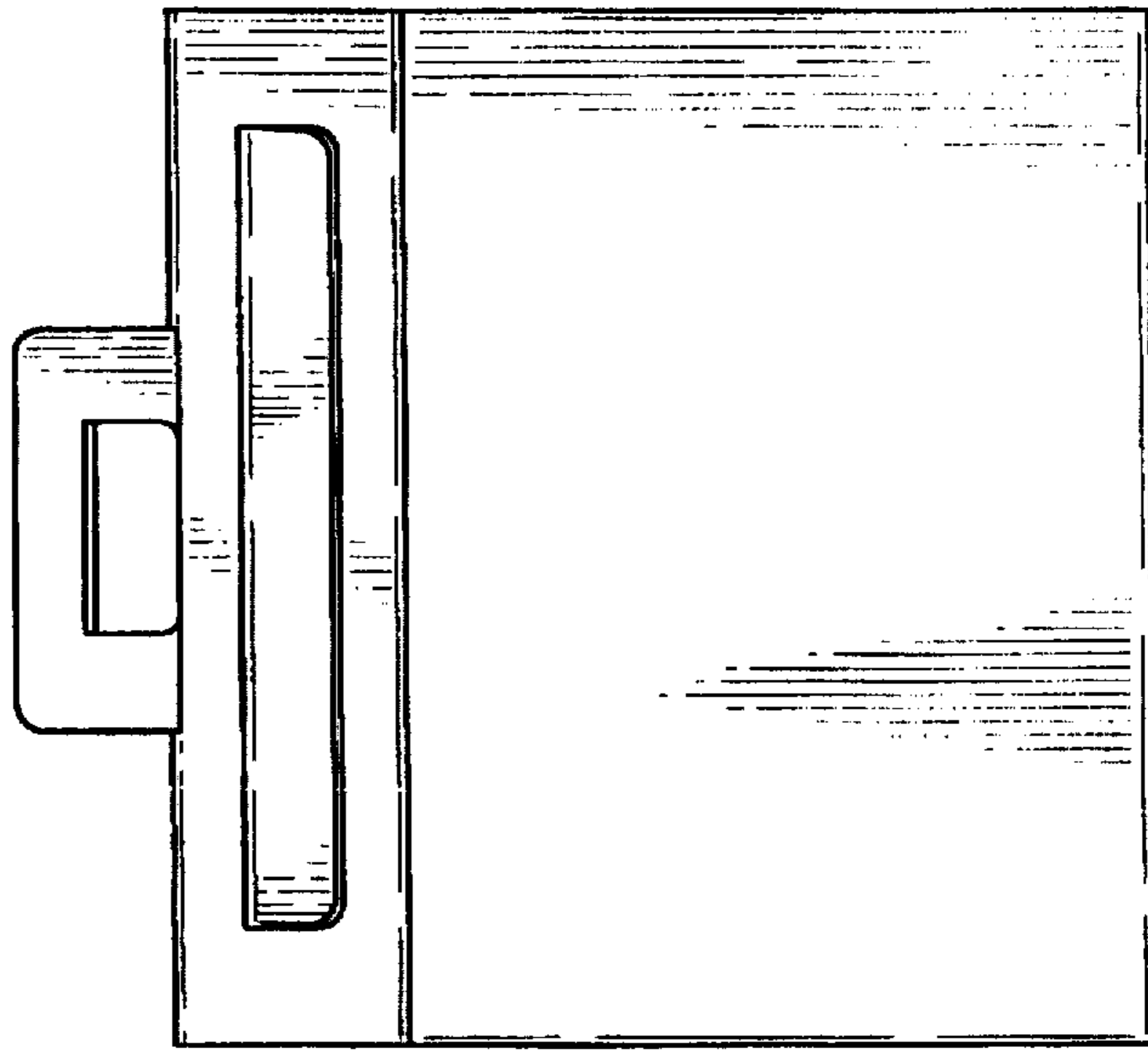


Fig. 3

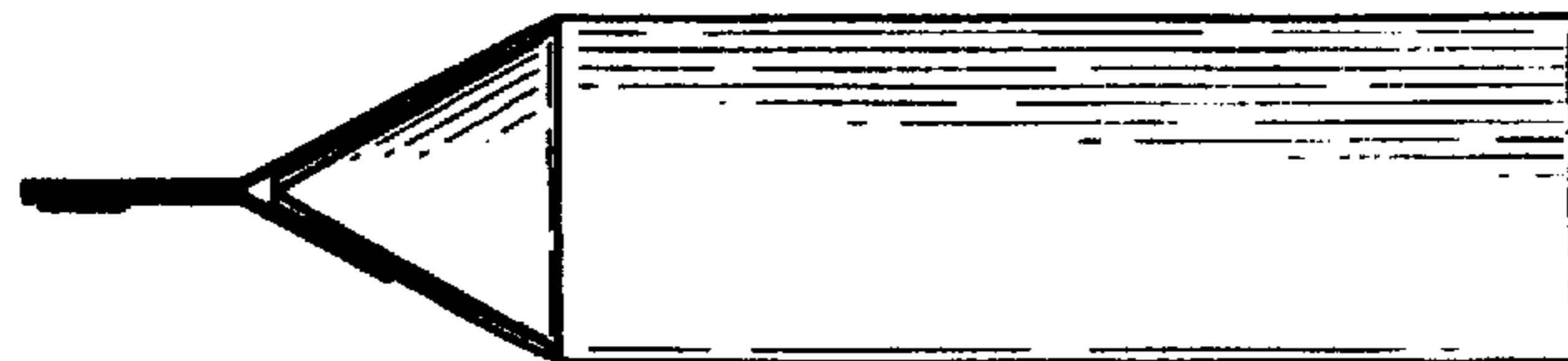


Fig. 7

