



US00D385179S

# United States Patent [19] Brandes

[11] Patent Number: **Des. 385,179**

[45] Date of Patent: **\*\*Oct. 21, 1997**

[54] CORNER PROTECTOR

[75] Inventor: **Michael J. Brandes, Jasper, Ind.**

[73] Assignee: **Ther Servants, Inc., Jasper, Ind.**

[\*\*] Term: **14 Years**

[21] Appl. No.: **54,596**

[22] Filed: **May 17, 1996**

[51] LOC (6) Cl. .... **08-09**

[52] U.S. Cl. .... **D8/403**

[58] Field of Search ..... D8/403; D9/434,  
D9/456, 499; D6/300, 301; 248/345.1;  
206/320-322, 326, 453, 454, 523, 524,  
586; 40/730, 739, 741, 752, 761, 764, 778,  
782-785, 790

[56] **References Cited**

**U.S. PATENT DOCUMENTS**

D. 301,953	7/1989	Hobson	.....	D6/300	X
1,976,607	10/1934	Engel	.....	40/778	
2,471,545	5/1949	Rosenberg et al.	.....	40/784	
4,000,843	1/1977	Sorenson et al.	.....	206/320	X

4,877,673	10/1989	Dionne	.....	206/453	X
5,447,233	9/1995	Smith	.....	248/345.1	X

**FOREIGN PATENT DOCUMENTS**

2668458	4/1992	France	.....	206/586	
2827846	9/1979	Germany	.....	206/586	

*Primary Examiner*—Catherine Tuttle  
*Attorney, Agent, or Firm*—Middleton & Reutlinger; David W. Carrithers

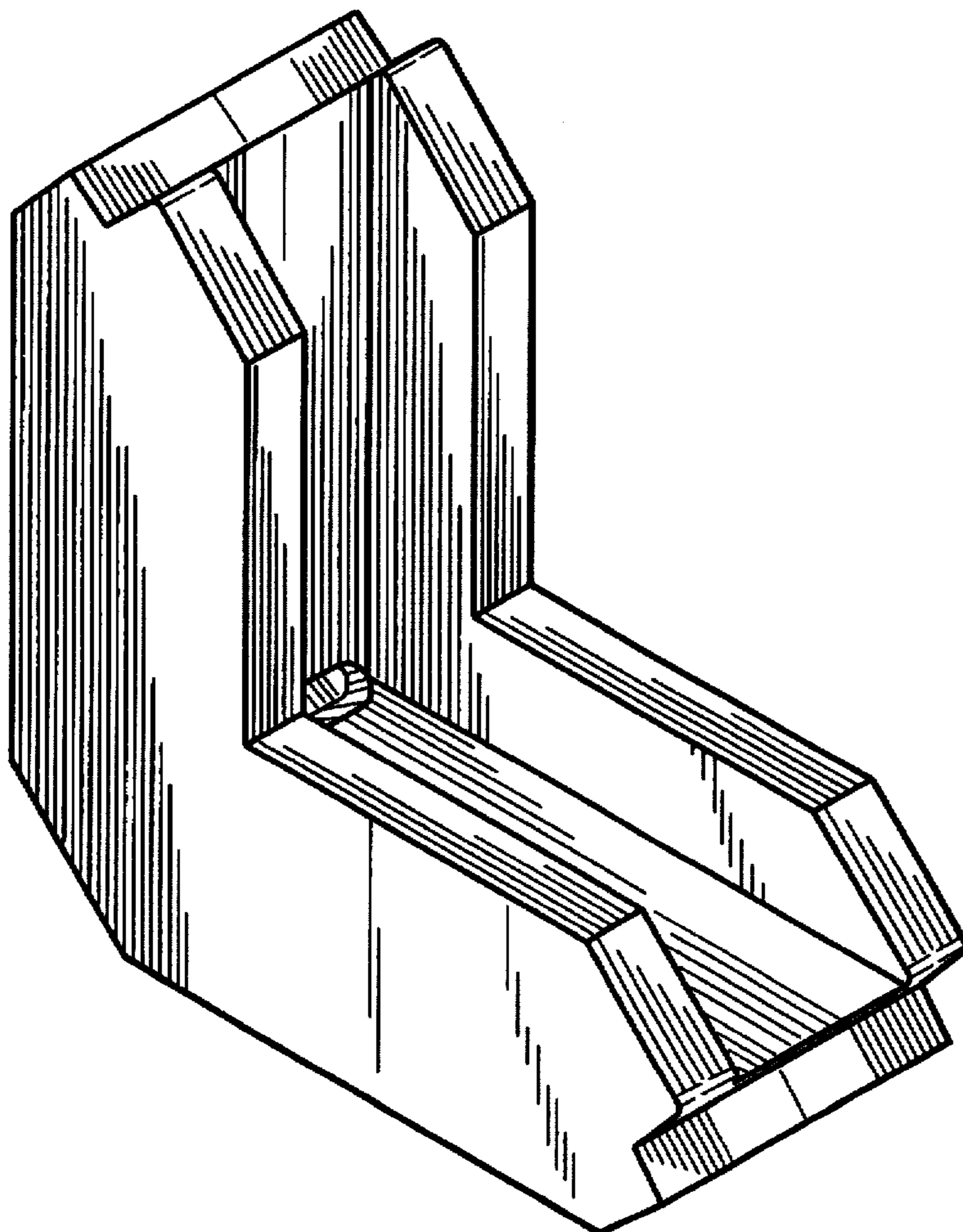
[57] **CLAIM**

The ornamental design for a corner protector, as shown and described.

**DESCRIPTION**

FIG. 1 is a front perspective view of my design for a corner protector;  
FIG. 2 is a rear elevational view thereof;  
FIG. 3 is a front elevational view thereof;  
FIG. 4 is a top plan view thereof;  
FIG. 5 is an elevational left side view, the opposite side being a mirror image thereof; and,  
FIG. 6 is a bottom plan view thereof.  
The undisclosed left inside wall is planar and unornamented.

**1 Claim, 2 Drawing Sheets**



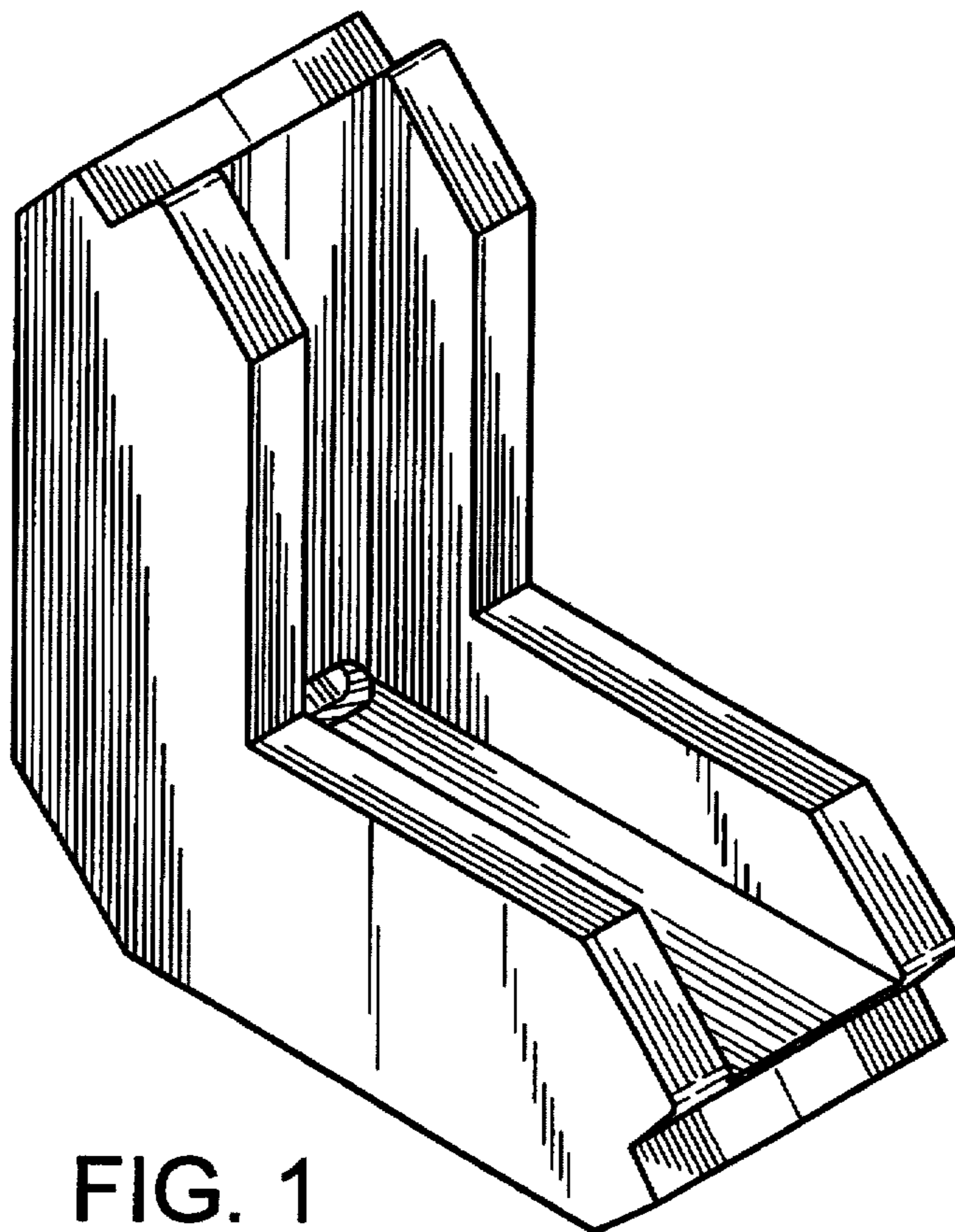


FIG. 1

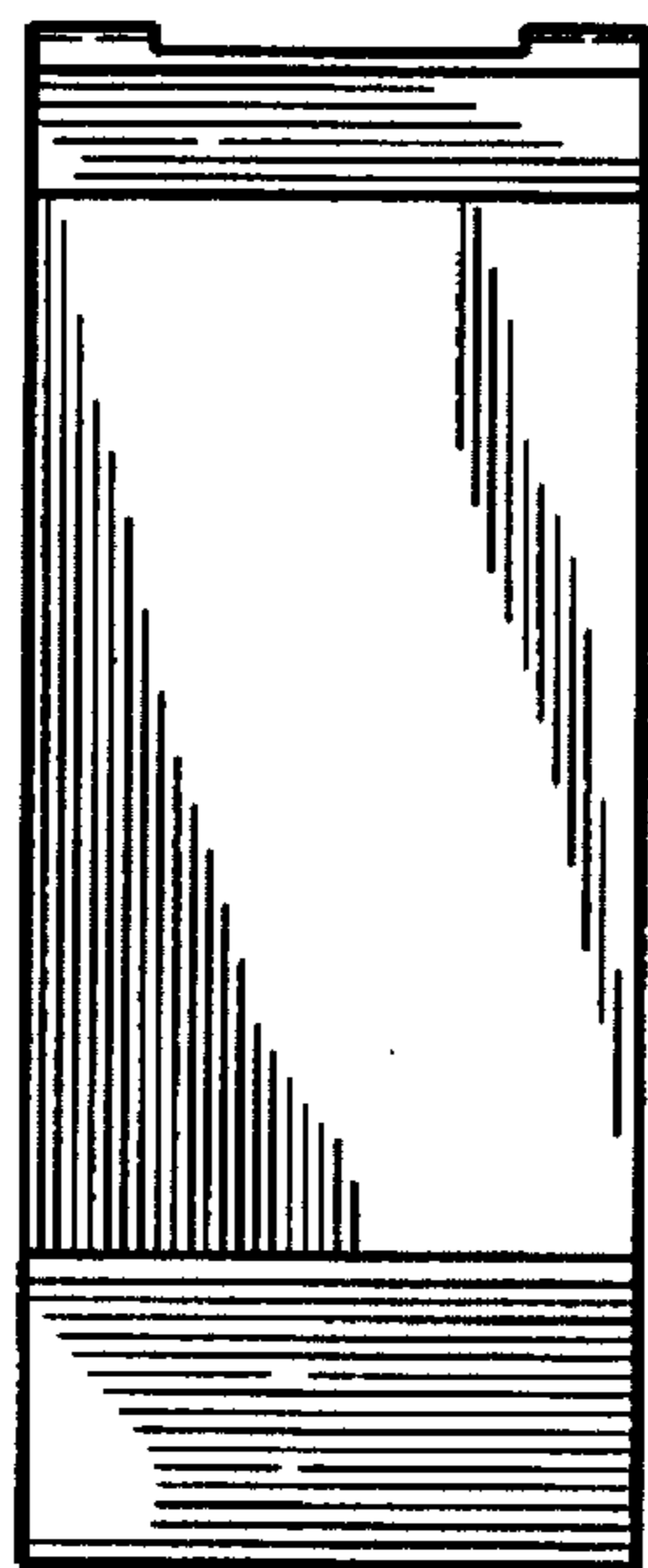


FIG. 2

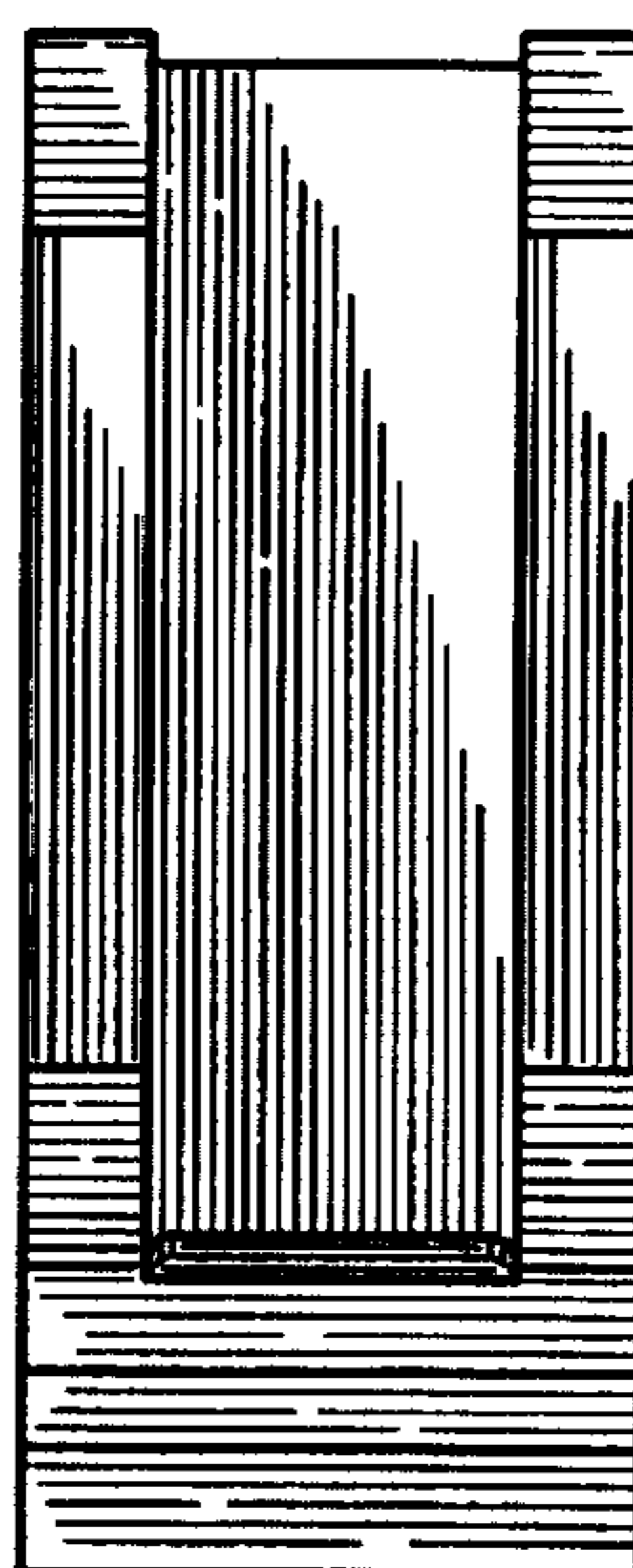


FIG. 3

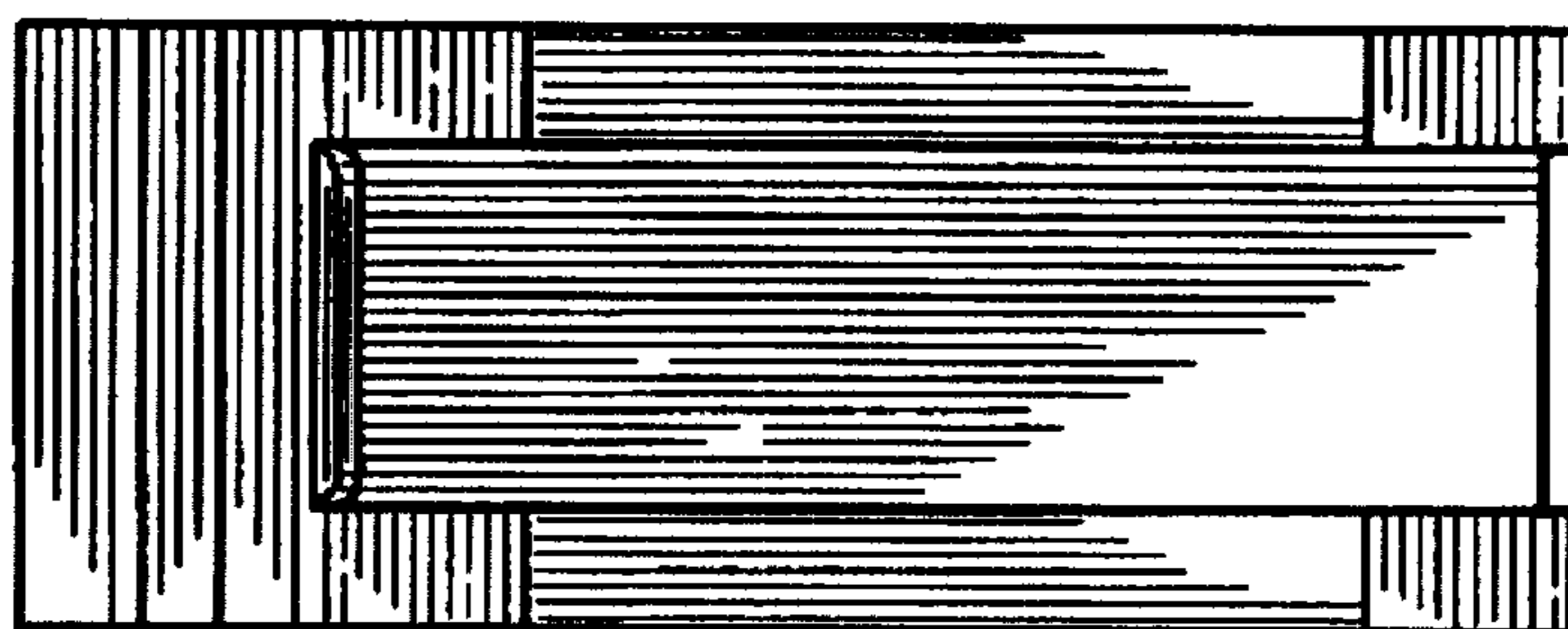


FIG. 4

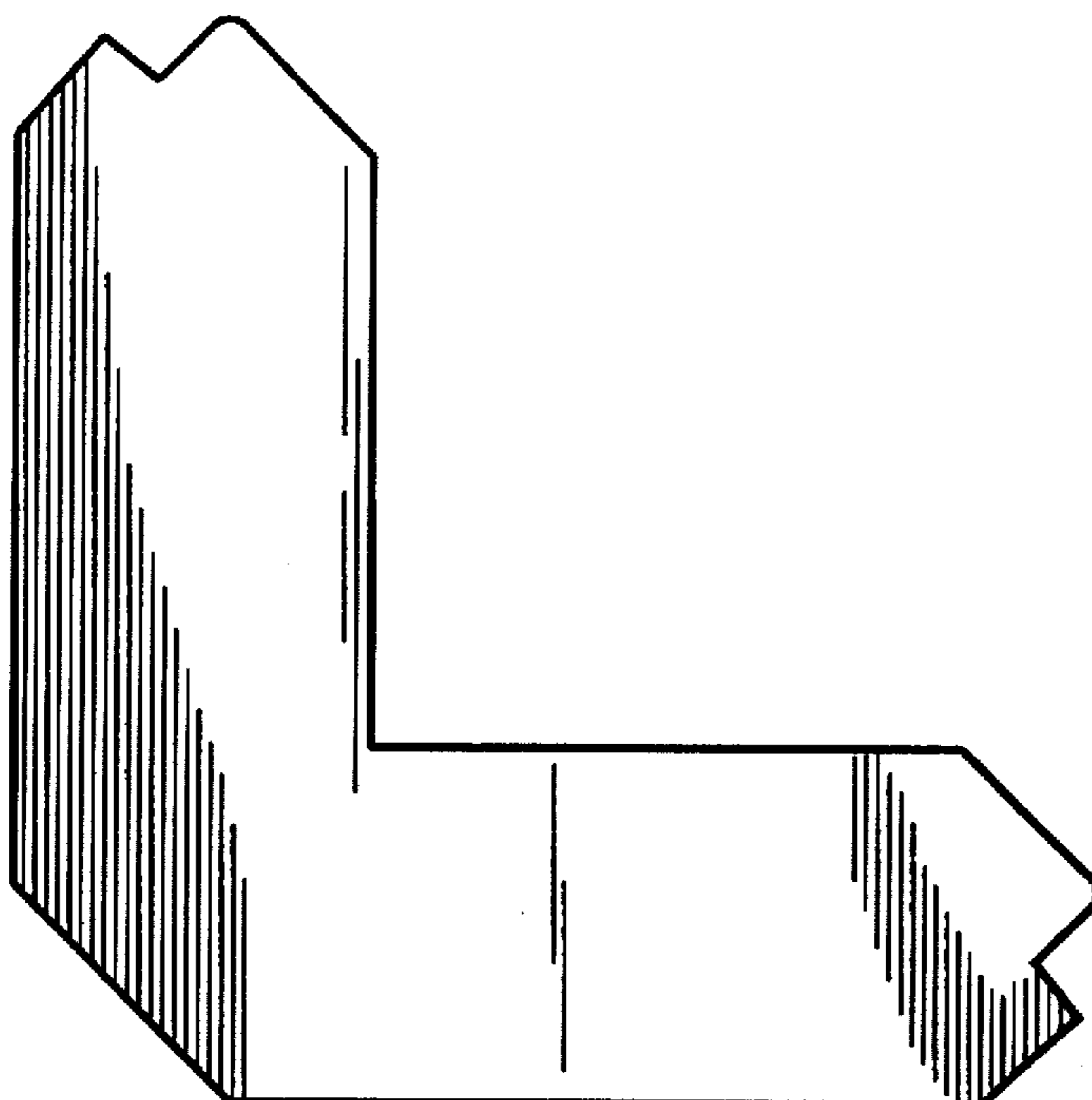


FIG. 5



FIG. 6