



US00D385178S

United States Patent [19]
Poulin

[11] **Patent Number:** **Des. 385,178**
[45] **Date of Patent:** ****Oct. 21, 1997**

[54] **CURTAIN ROD**

[76] **Inventor:** **Robert J. Poulin, 20 Clarke Ct., Rochester, Mass. 02770**

[**] **Term:** **14 Years**

[21] **Appl. No.:** **54,019**

[22] **Filed:** **May 6, 1996**

[51] **LOC (6) Cl.** **08-05**

[52] **U.S. Cl.** **D8/376**

[58] **Field of Search** **D8/376, 378; D11/181; 160/19, 38-39; 211/105.3; 248/265**

[56] **References Cited**

U.S. PATENT DOCUMENTS

D. 132,204	4/1942	Mellen	D11/181	X
D. 133,697	9/1942	Cook, Jr.	D11/181	X
3,370,819	2/1968	Kenney	248/265	
4,140,294	2/1979	Zwarts	248/265	

Primary Examiner—Holly Baynham
Attorney, Agent, or Firm—Robert J. Doherty

[57] **CLAIM**

The ornamental design for a curtain rod, as shown and described.

DESCRIPTION

FIG. 1 is a perspective showing my new design for a curtain rod;

FIG. 2 is a front perspective view thereof on an enlarged scale with the central rod broken to illustrate variable length between the finial portions thereof;

FIG. 3 is a front elevational view of FIG. 2, the top, bottom and rear elevational views being identical thereto;

FIG. 4 is a right side elevational view of FIG. 2, the left side elevational view being identical thereto;

FIG. 5 is a side perspective view of the finial portion removed from the rod;

FIG. 6 is a front elevational view, the top and bottom views being identical thereto and the rear view being a mirror image thereof;

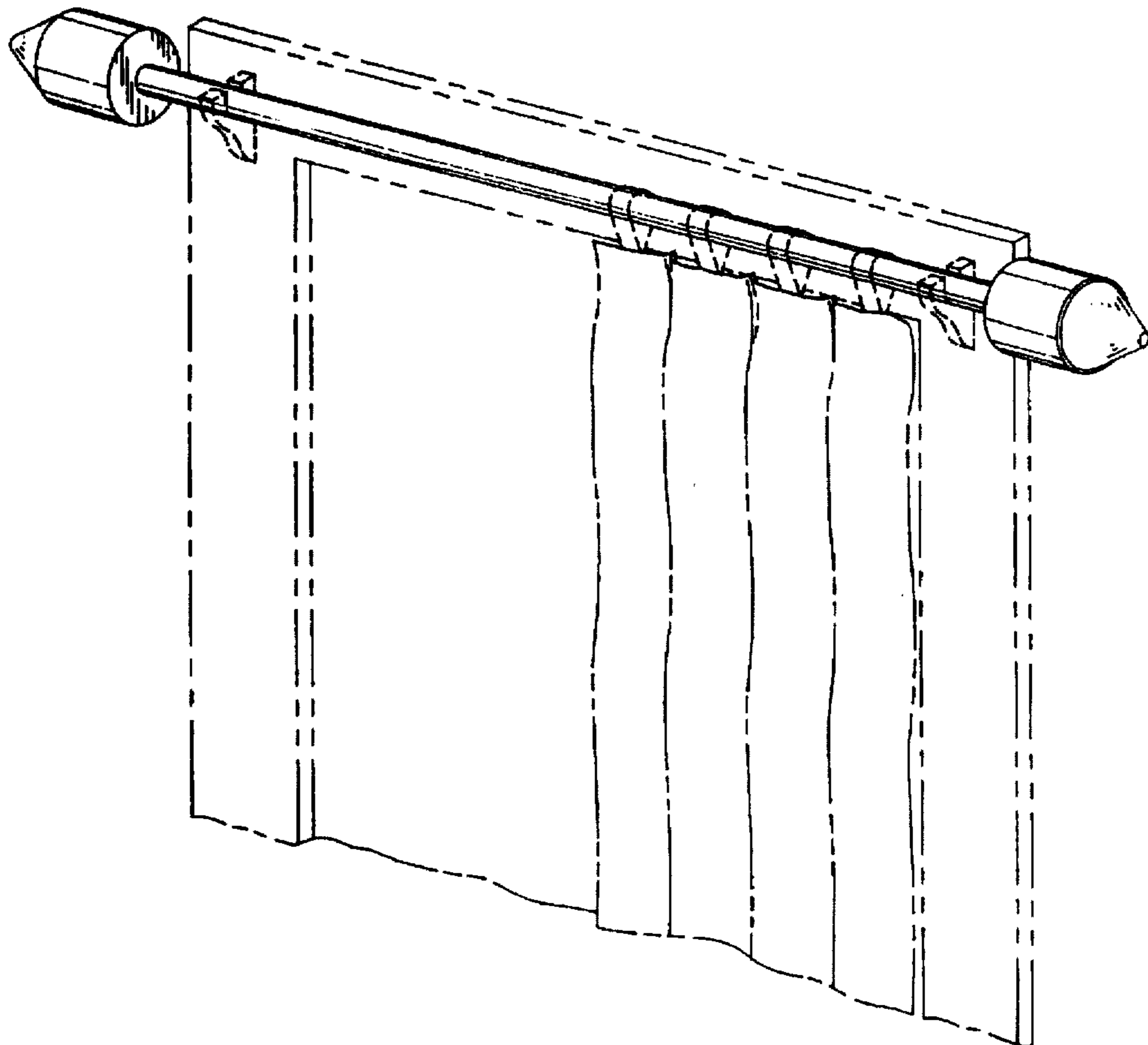
FIG. 7 is a right side elevational view thereof; and,

FIG. 8 is a left side elevational view thereof.

The broken line showing of a frame, support arms and curtains in FIG. 1 is for illustrative purposes and forms no part of the claimed design.

The finial portion of the curtain rod has been shown detached for clarity of illustration.

1 Claim, 2 Drawing Sheets



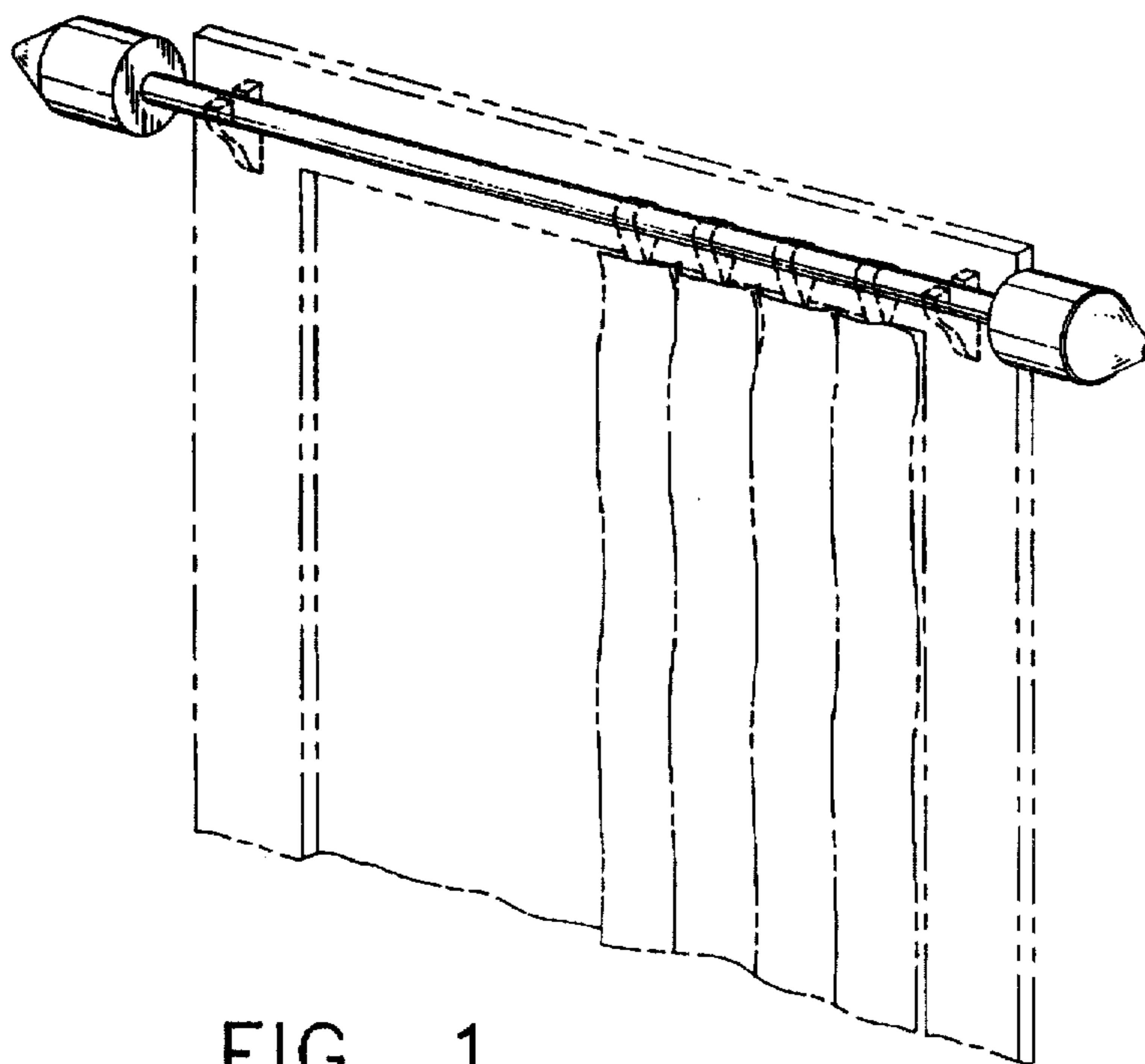


FIG. 1

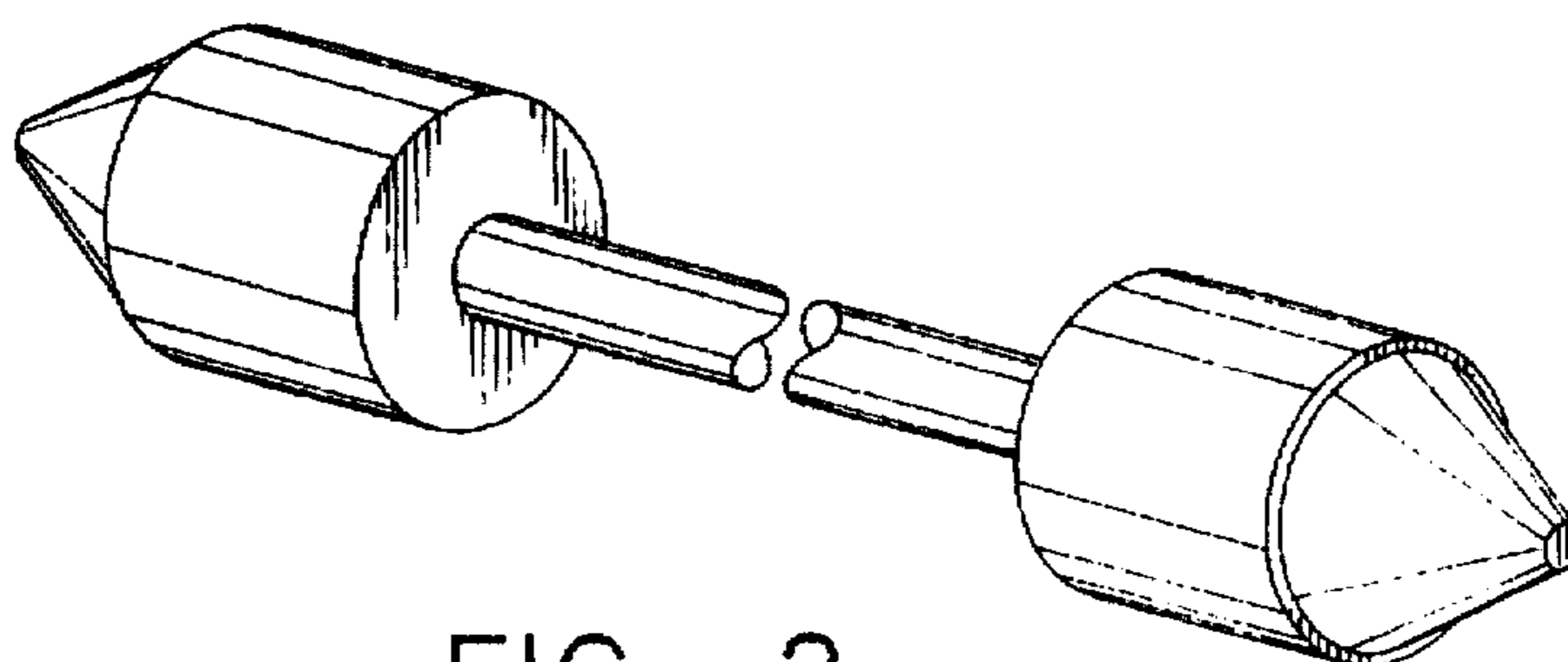


FIG. 2

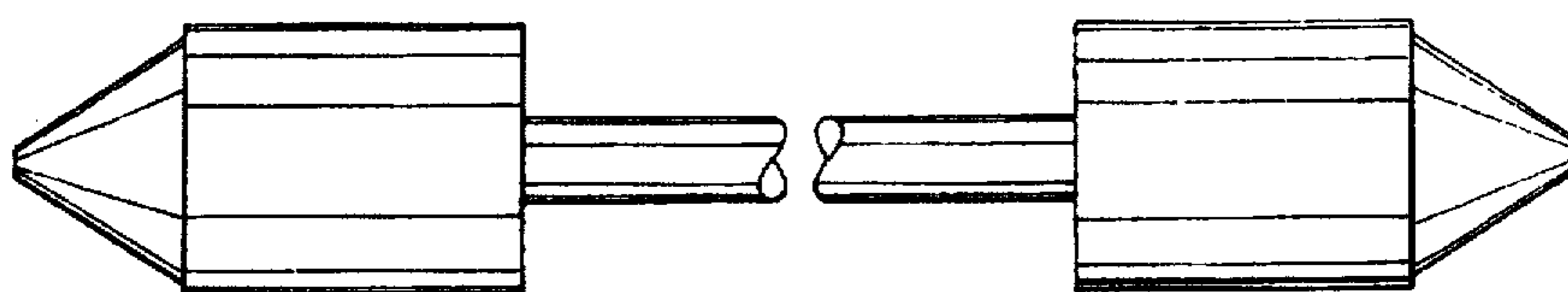


FIG. 3

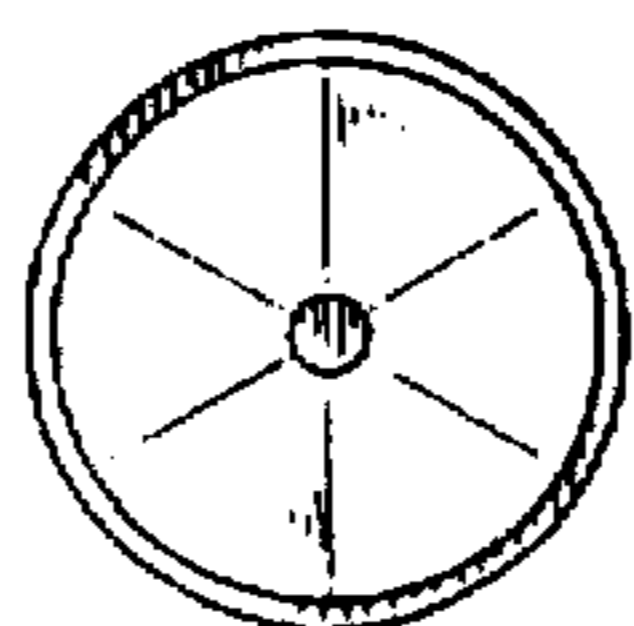


FIG. 4

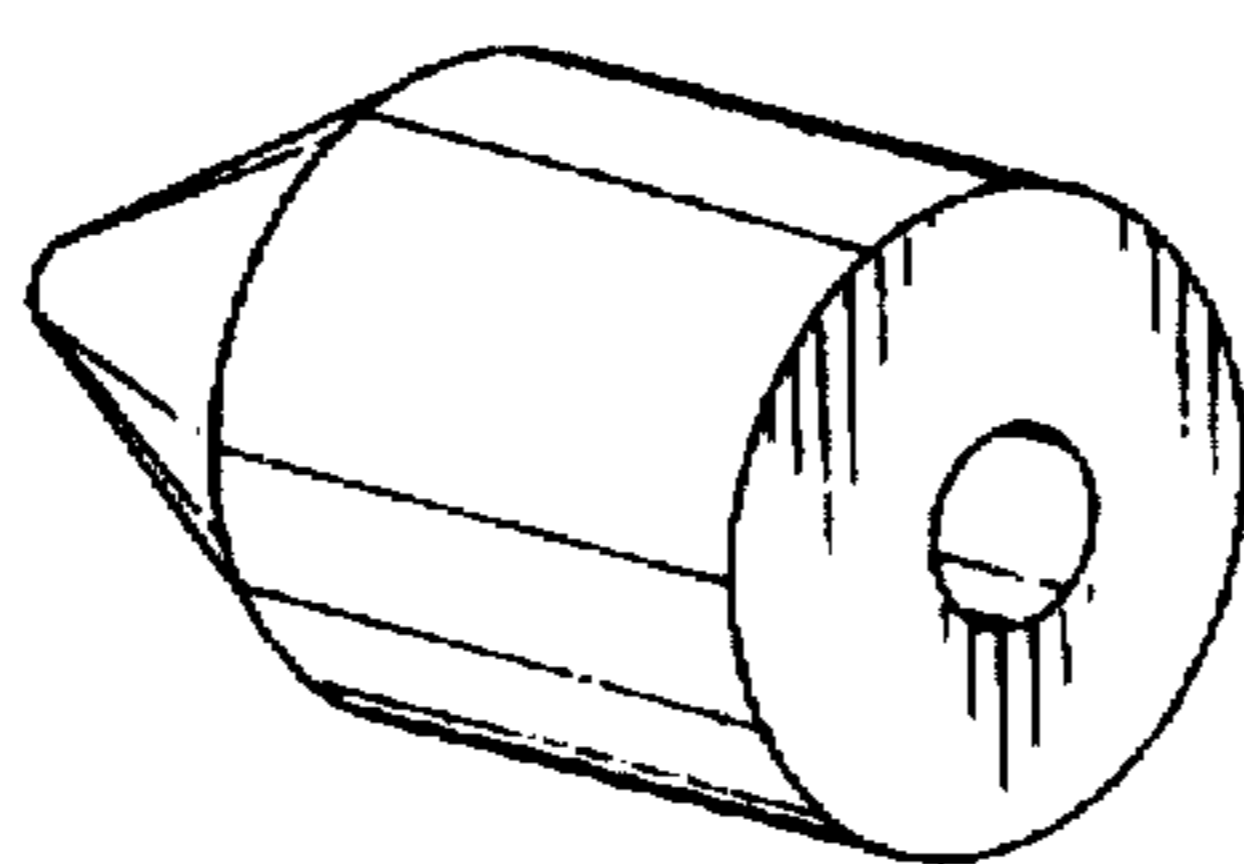


FIG. 5

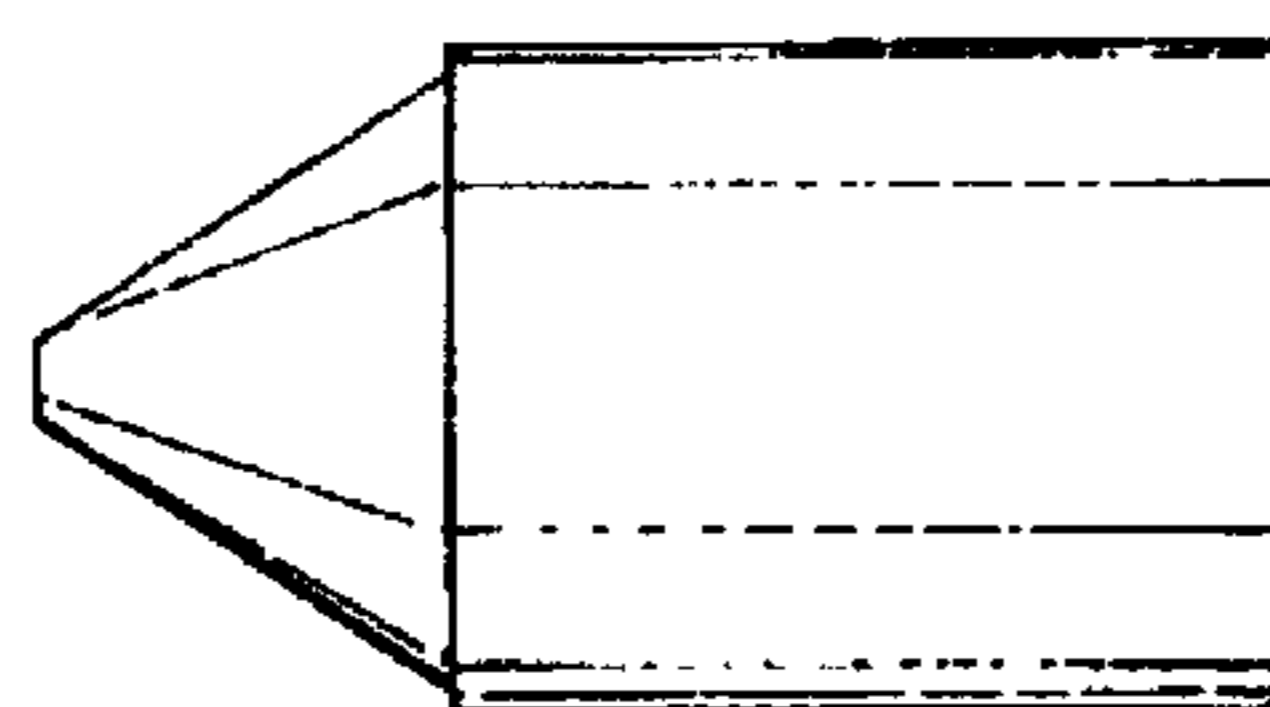


FIG. 6

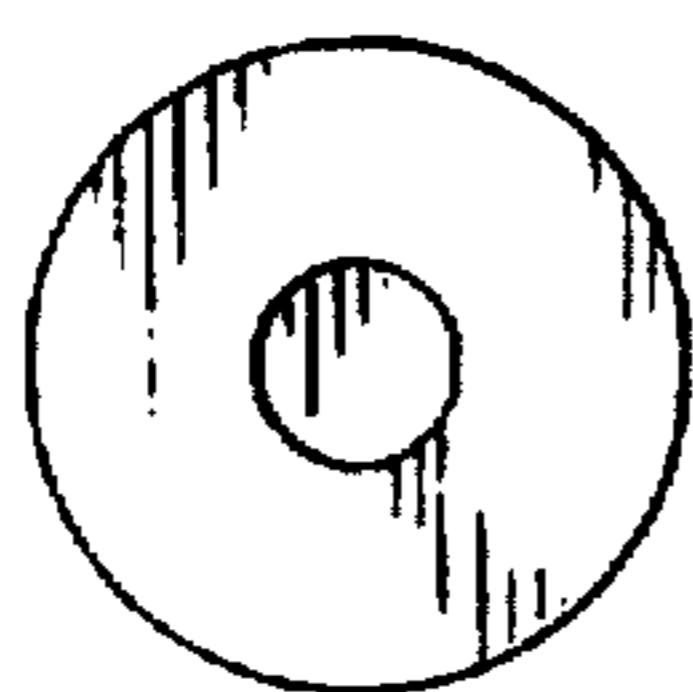


FIG. 7

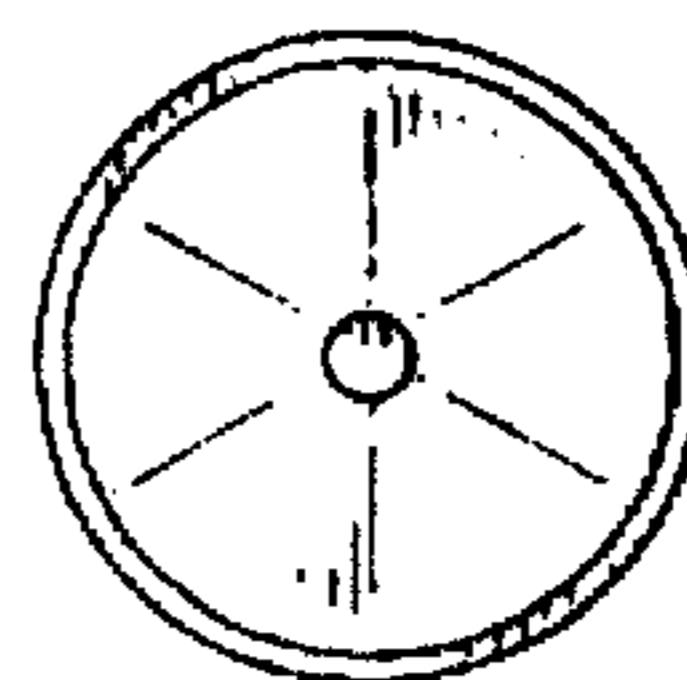


FIG. 8