

US00D385177S

# United States Patent [19]

[11] Patent Number: **Des. 385,177**

**Perry**

[45] Date of Patent: **\*\*Oct. 21, 1997**

[54] **ADJUSTABLE SAFETY BAR**

Androck catalog, towel bar, model No. 418 located at top of page, p. 44 Dec. 1942.

[76] Inventor: **Gordon K. Perry, Rt. 6, Box 425R,  
Lake City, Fla. 32025**

*Primary Examiner*—Holly Baynham  
*Attorney, Agent, or Firm*—Harold H. Dutton, Jr.

[\*\*] Term: **14 Years**

[21] Appl. No.: **47,031**

[57] **CLAIM**

[22] Filed: **Nov. 27, 1995**

The ornamental design for an adjustable safety bar, as shown and described.

[51] LOC (6) Cl. .... **08-05**

[52] U.S. Cl. .... **D8/363**

[58] Field of Search ..... D8/376-377, 355,  
D8/363; 248/262, 200.1; 160/330, 291;  
52/731.6, 735.1; D6/524, 533

**DESCRIPTION**

[56] **References Cited**

FIG. 1 is a perspective view of an adjustable safety bar showing my new design;

**U.S. PATENT DOCUMENTS**

FIG. 2 is a front view thereof;

965,658	7/1910	Reubel	248/262
989,990	4/1911	McGinley	160/330
1,320,007	10/1919	Hills	248/262
1,453,689	5/1923	Nole	248/262
2,219,075	10/1940	LeVeau	160/330 X

FIG. 3 is a rear view thereof;

FIG. 4 is a top view thereof;

The bottom view is a mirror image of the top view;

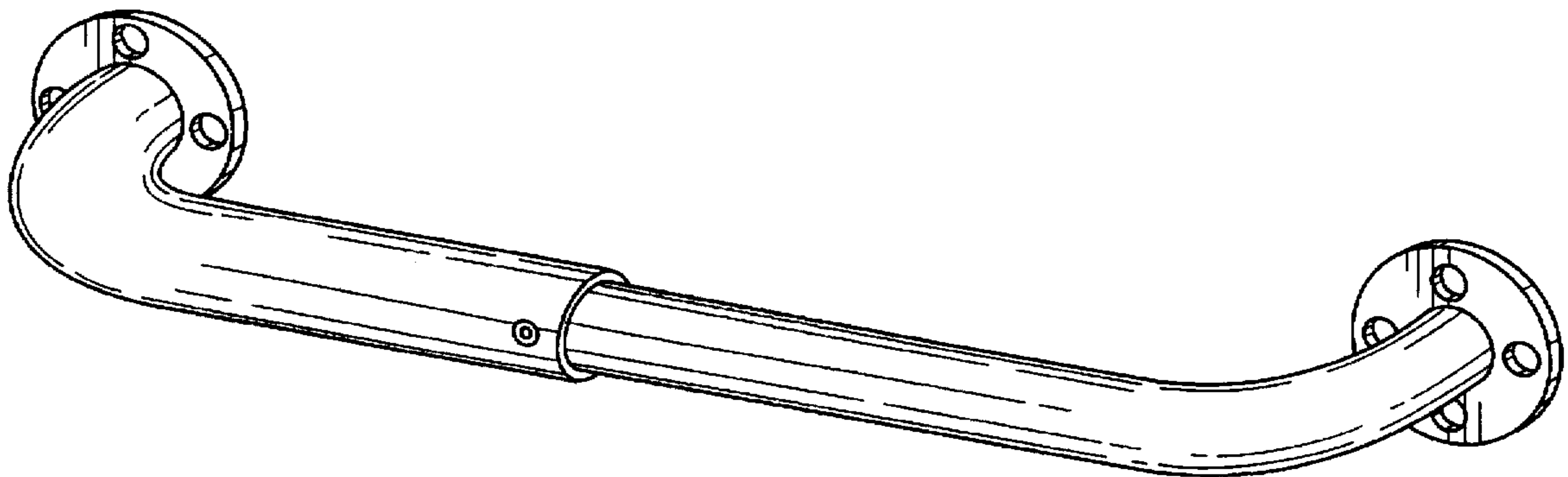
FIG. 5 is a right side view thereof; and,

FIG. 6 is a left side view thereof.

**OTHER PUBLICATIONS**

Sweets Catalog, Bradley Company Brochure, 1994 section 10800/BRC, p. 45, grab bar circled at right corner of page. Arbitare, towel bar, item A located at left of page, p. 52 Jun. 1979.

**1 Claim, 3 Drawing Sheets**



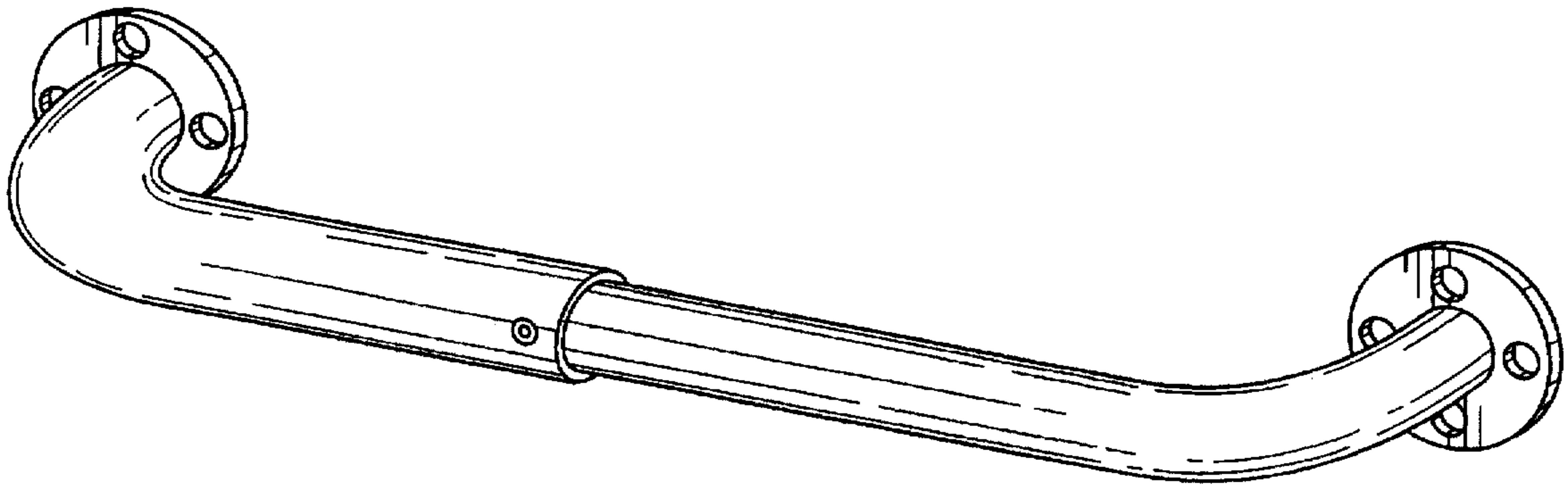


FIG. 1

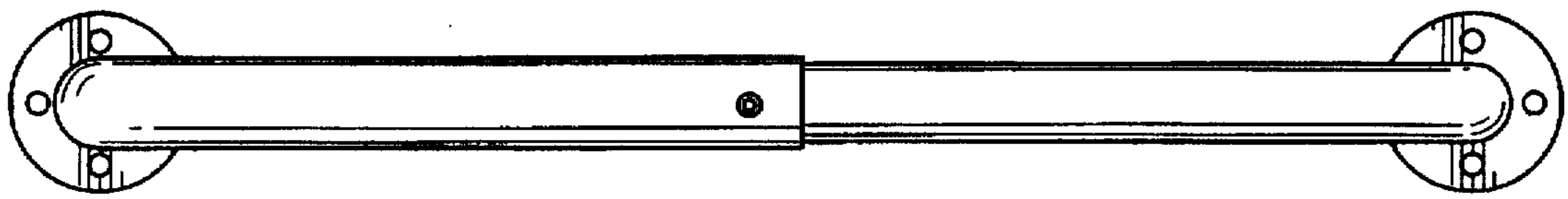


FIG. 2

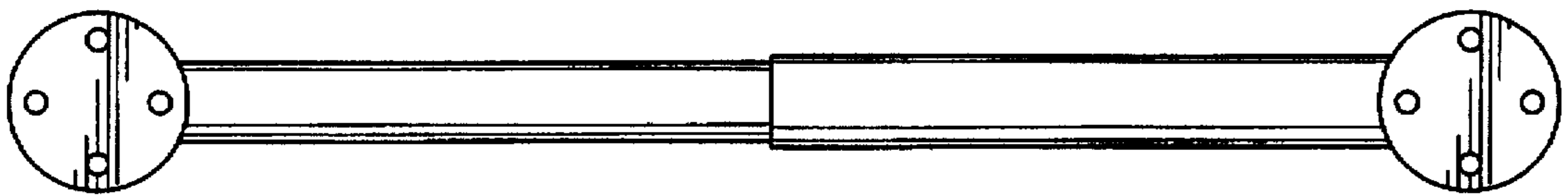


FIG. 3

FIG. 4

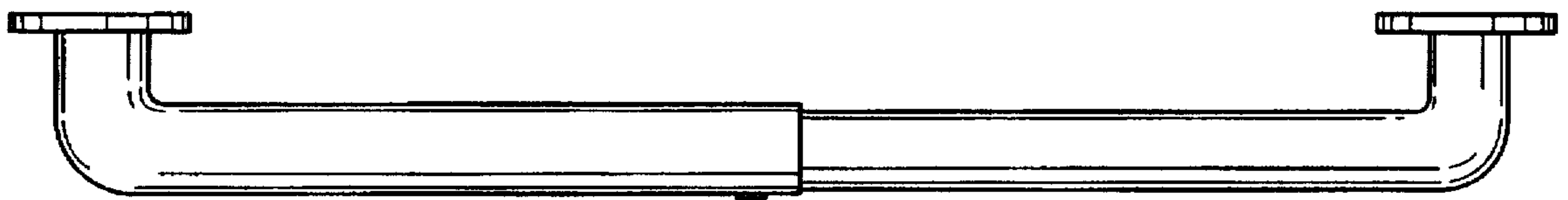


FIG. 5

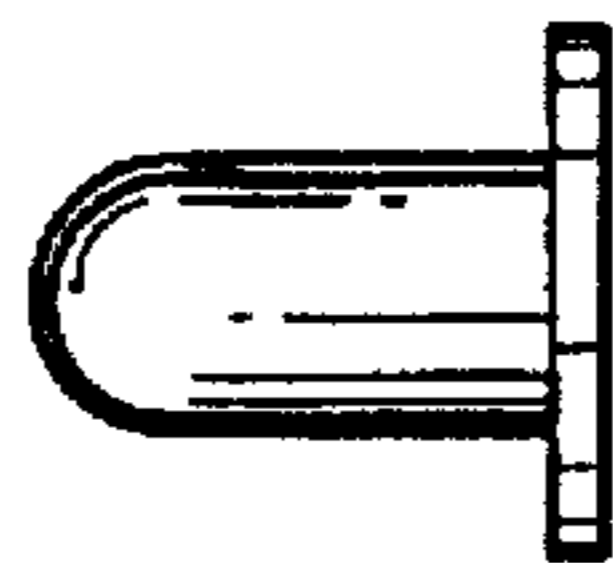


FIG. 6

