



US00D385172S

United States Patent [19]

[11] Patent Number: **Des. 385,172**

Bramsiepe et al.

[45] Date of Patent: ****Oct. 21, 1997**

[54] **SCREWDRIVER BOX**

5,517,885 5/1996 Feng 81/490
5,522,291 6/1996 Liv 81/490

[75] Inventors: **Holger Bramsiepe; Matthias Ocklenburg**, both of Wuppertal, Germany

Primary Examiner—Philip S. Hyder
Attorney, Agent, or Firm—Herbert Dubno

[73] Assignee: **Robert Schroder**, Wuppertal, Germany

[57] **CLAIM**

[**] Term: **14 Years**

The ornamental design for a screwdriver box, as shown and described.

[21] Appl. No.: **50,979**

DESCRIPTION

[22] Filed: **Mar. 1, 1996**

FIG. 1 is a front, right-side, top perspective view of a screwdriver box embodying our new design;
FIG. 2 is a top, right-side perspective view thereof with the box open;
FIG. 3 is a bottom left-side perspective view thereof with the box open;
FIG. 4 is a front elevational view thereof;
FIG. 5 is a rear elevational view thereof;
FIG. 6 is a left side-elevational view thereof;
FIG. 7 is a right side-elevational view thereof;
FIG. 8 is a top view thereof; and,
FIG. 9 is a bottom view thereof.

[51] LOC (6) Cl. **08-04**

[52] U.S. Cl. **D8/83; D8/85**

[58] Field of Search D8/82, 83, 84, D8/85, 86, 87; 81/489, 177.4, 490, 439, 440; 206/372, 373, 374, 375; D3/905

[56] **References Cited**

U.S. PATENT DOCUMENTS

D. 331,498	12/1992	Chen	D8/83
4,227,430	10/1980	Jansson et al.	81/177.4
4,934,223	6/1990	Wong	81/490
5,499,562	3/1996	Feng	81/490

1 Claim, 4 Drawing Sheets

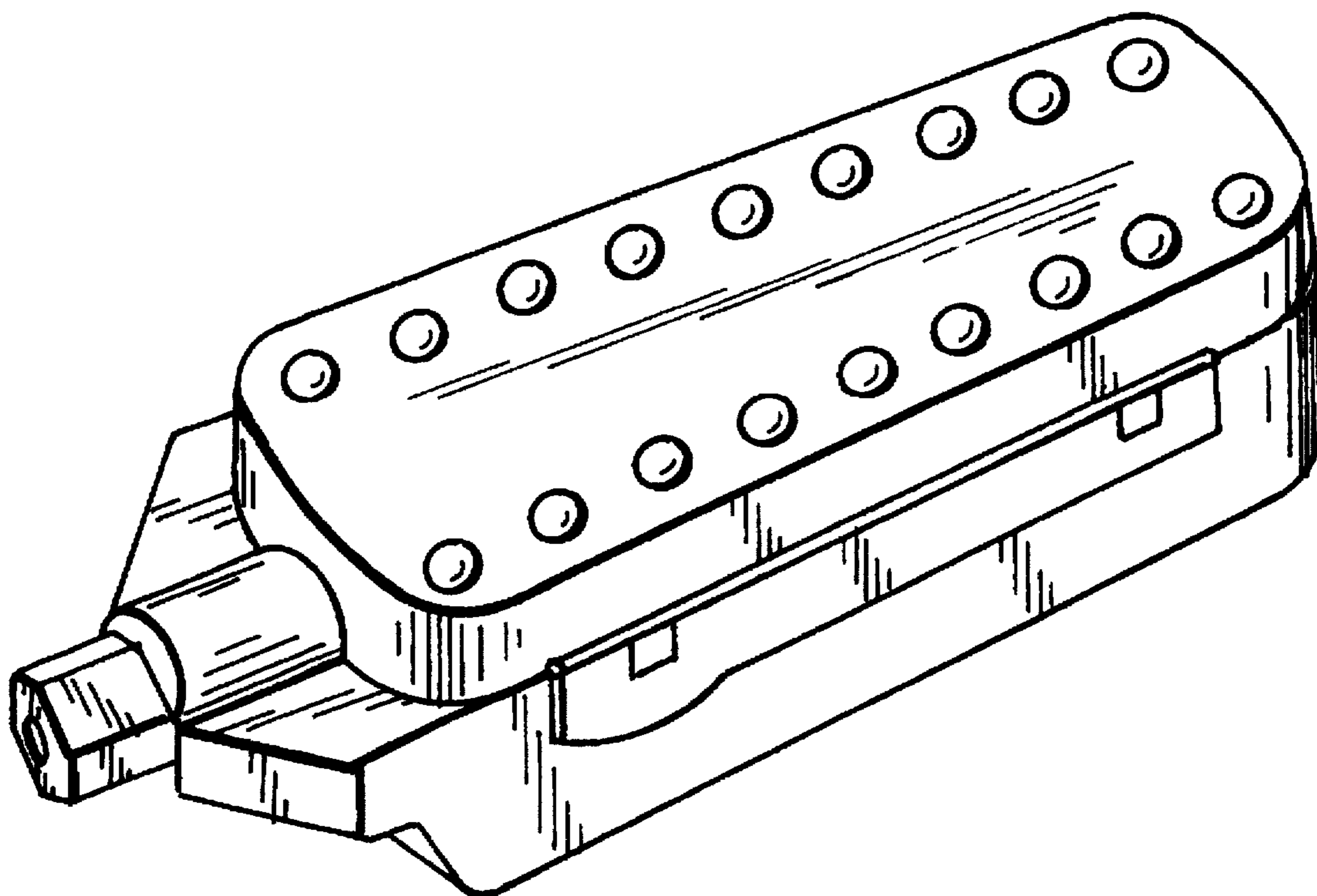


FIG. 1

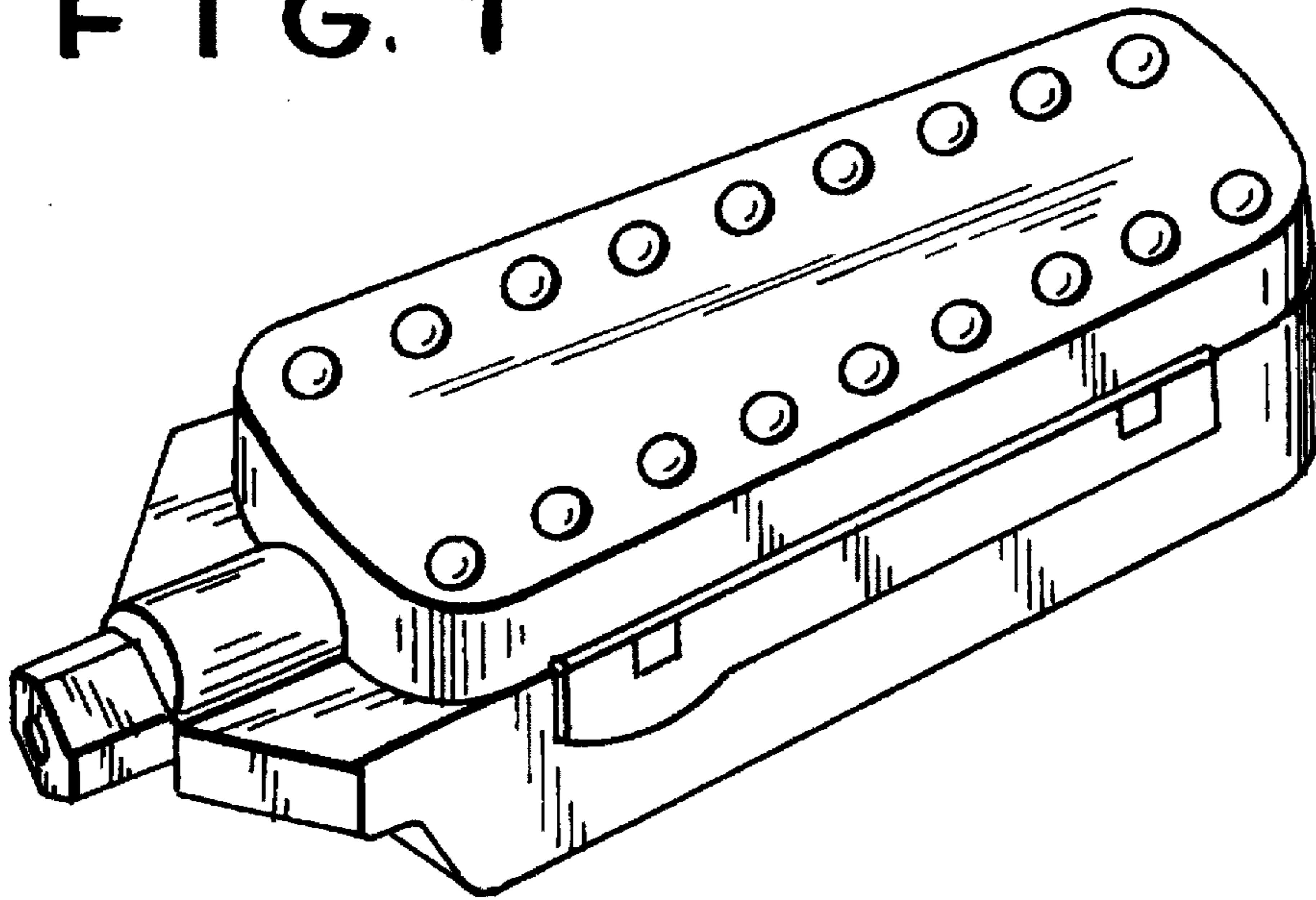


FIG. 4

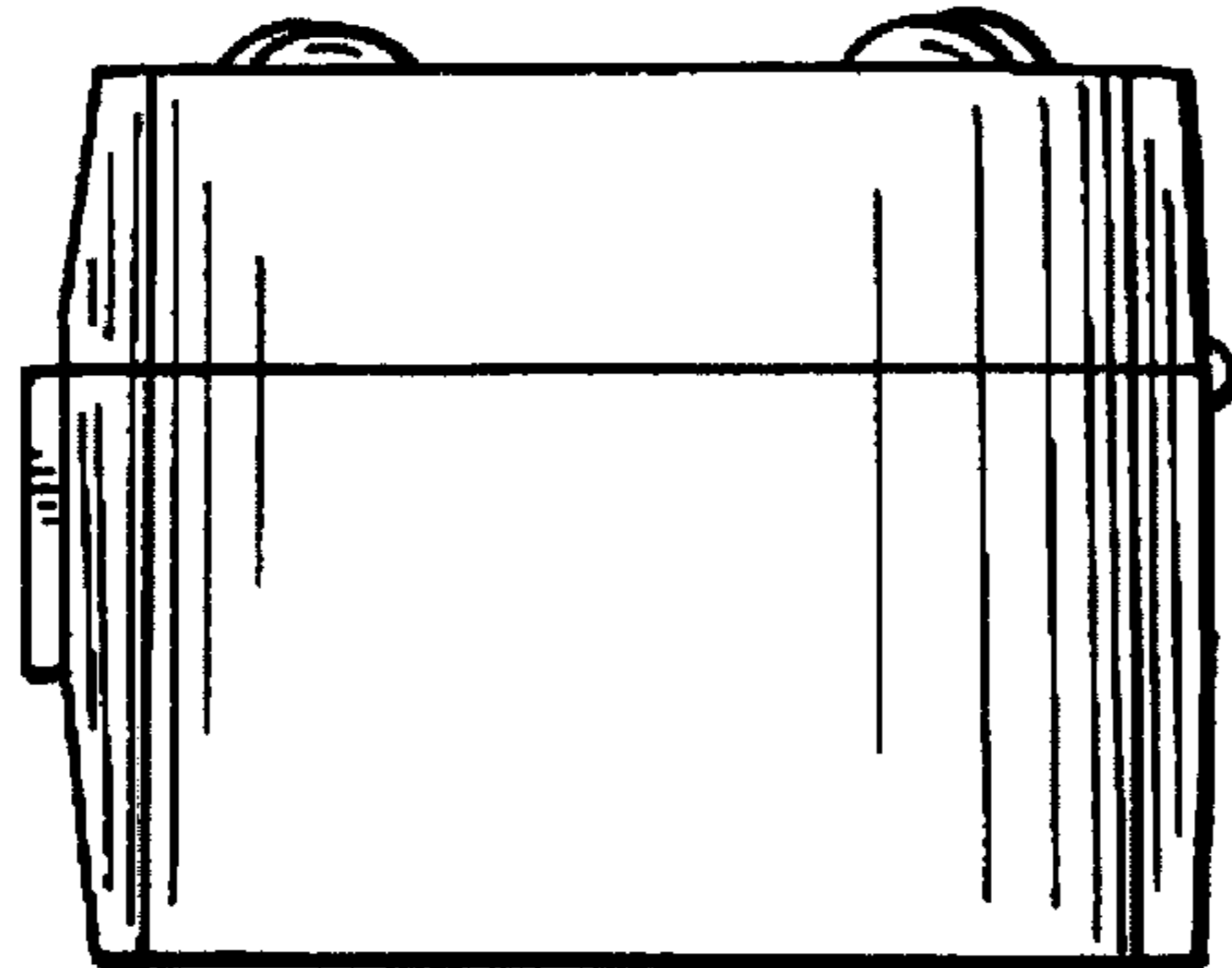
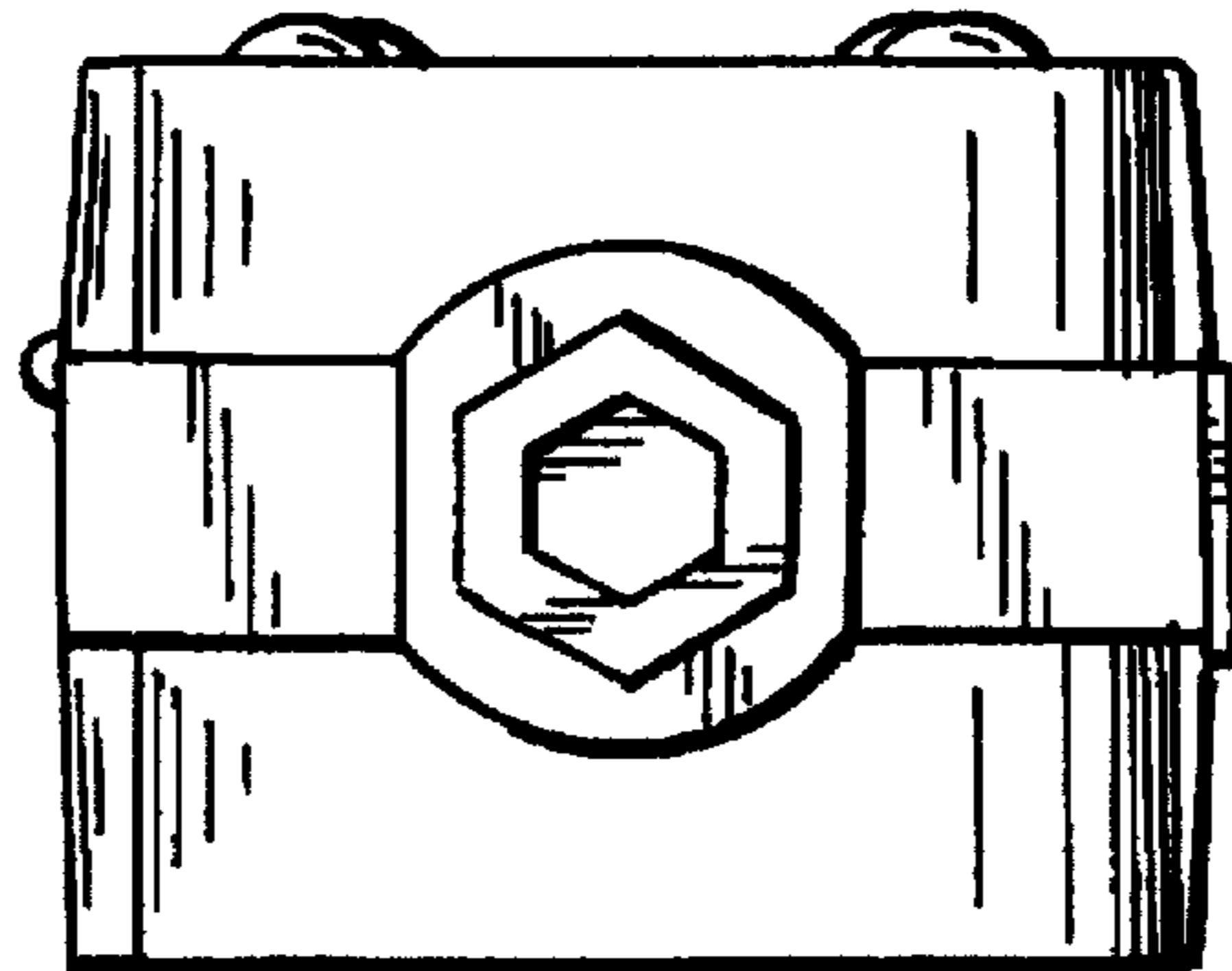


FIG. 5

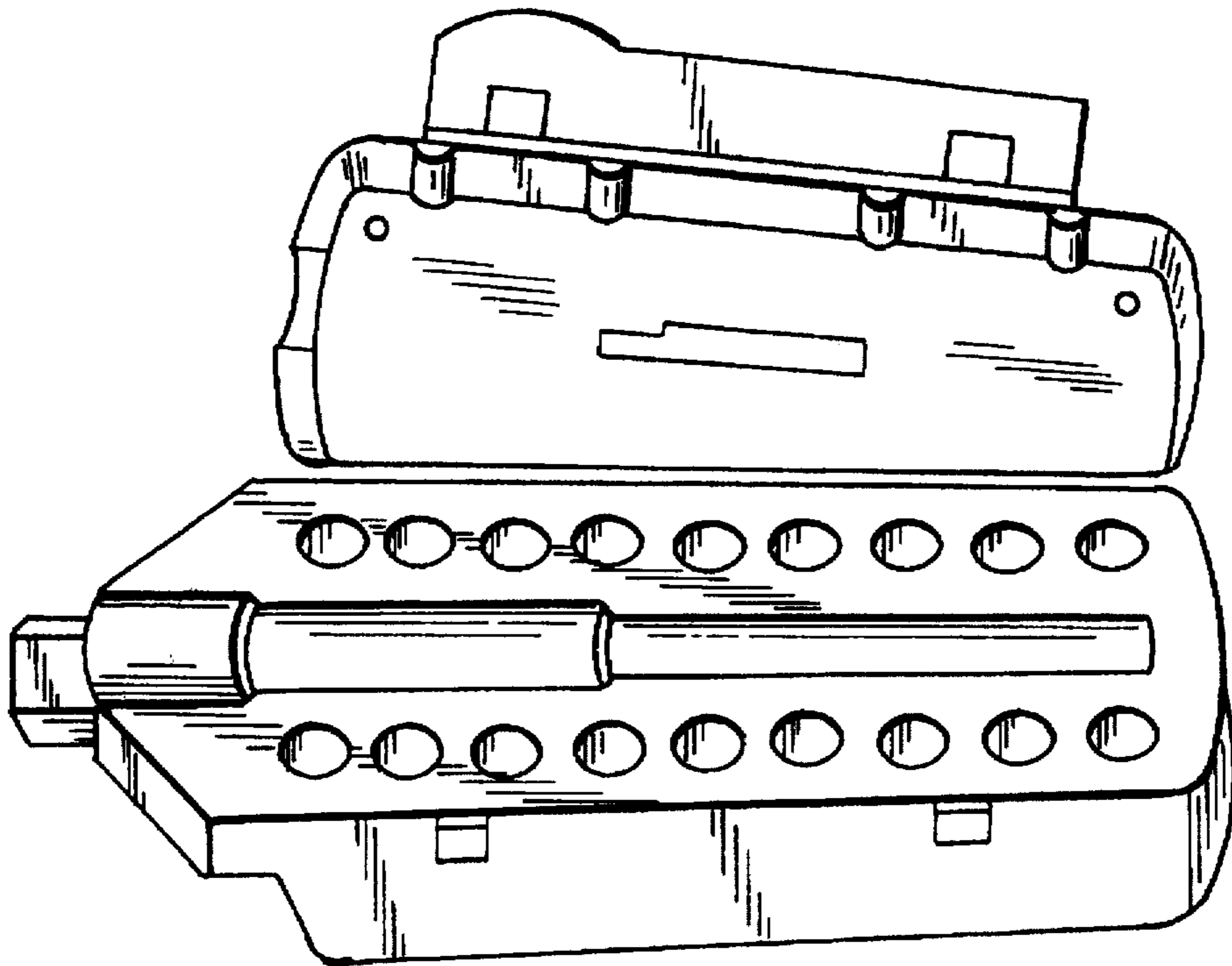


FIG. 2

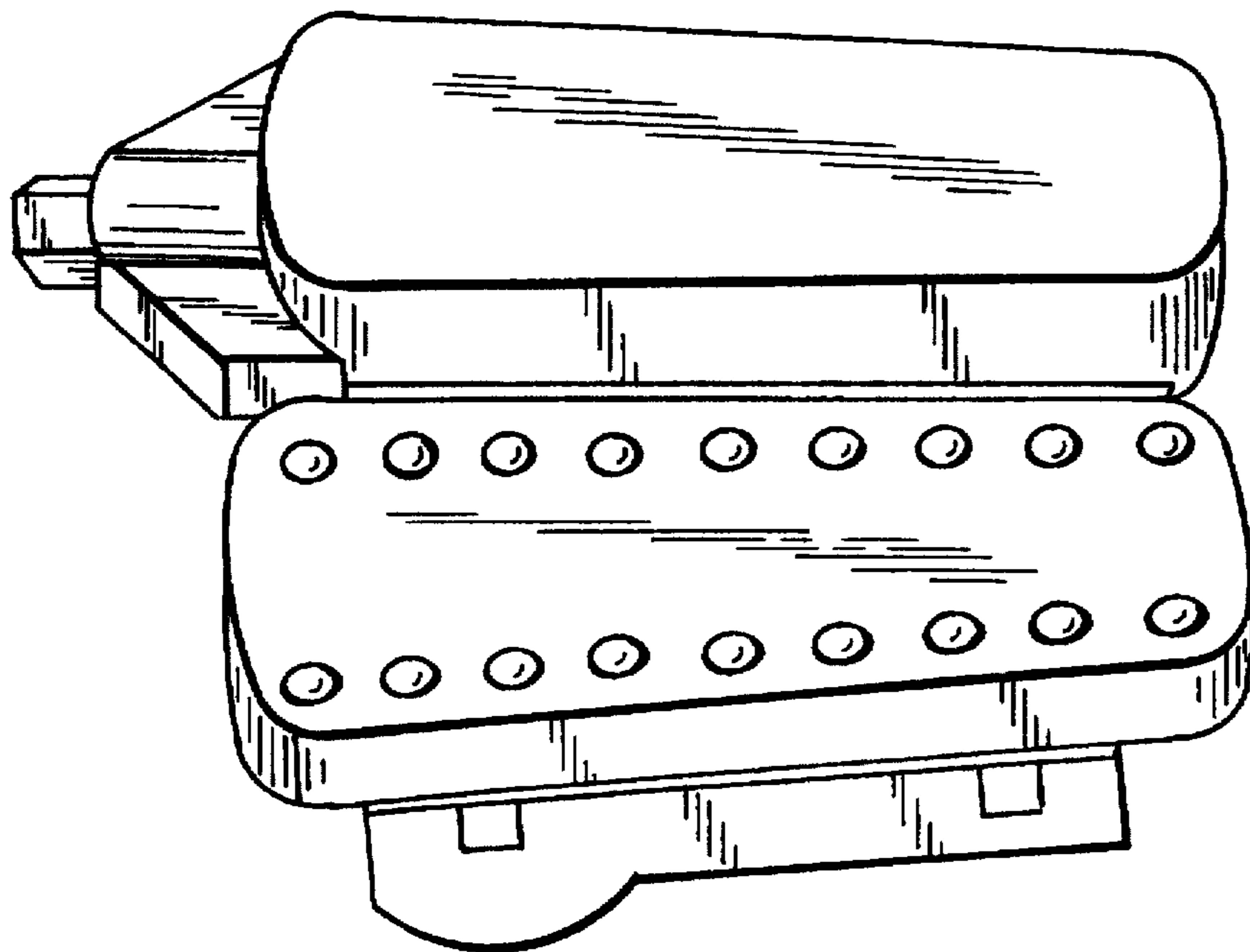


FIG. 3

FIG. 6

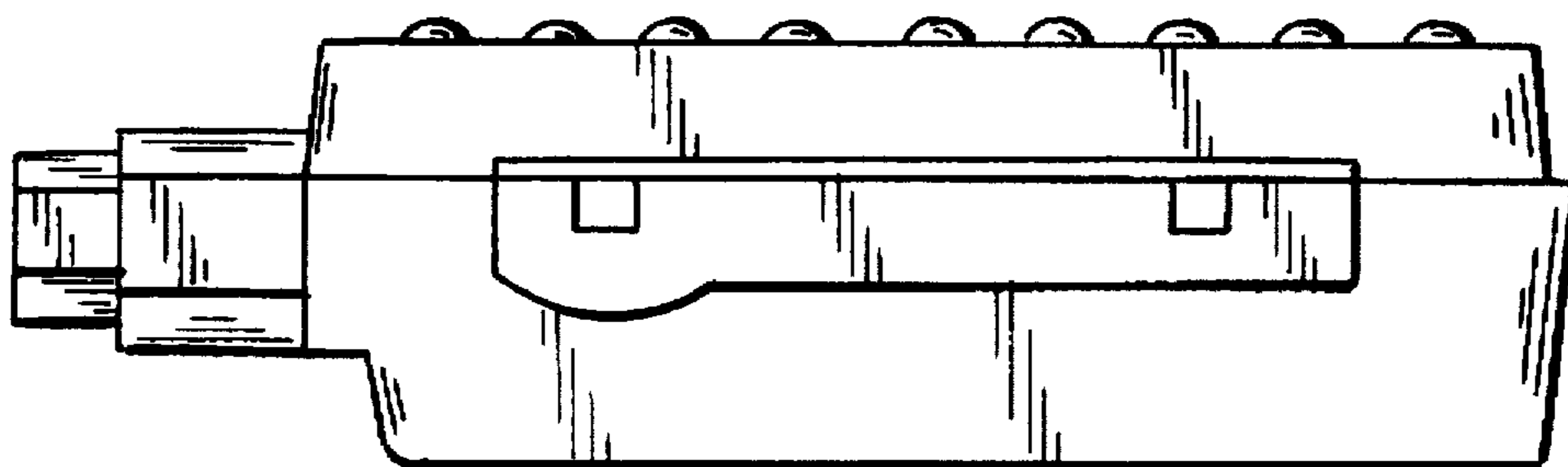
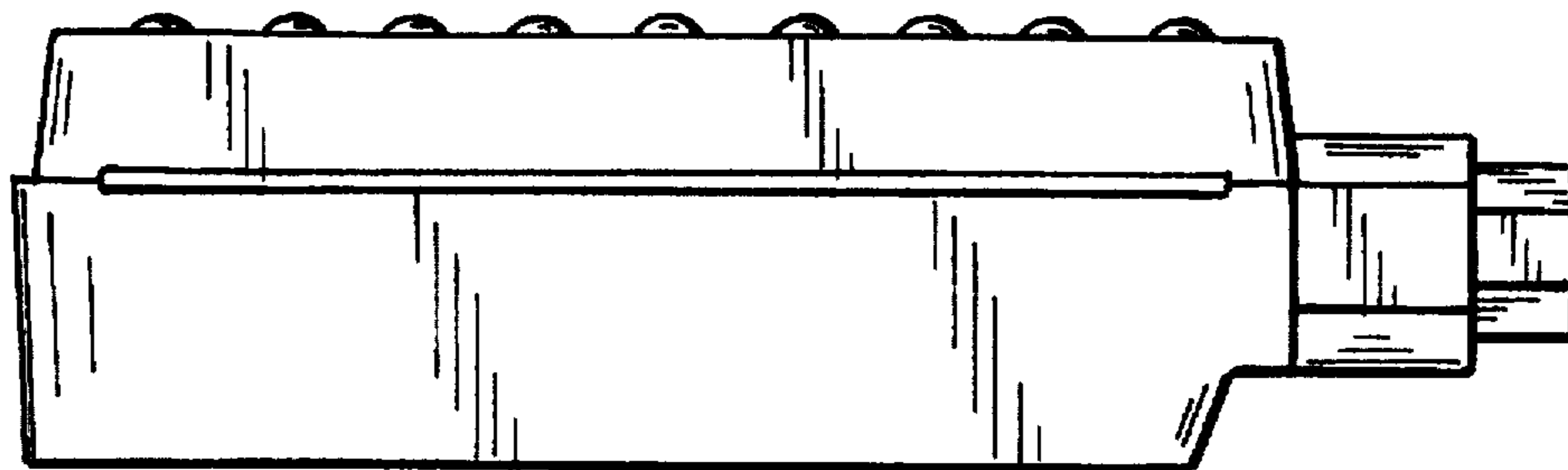


FIG. 7

FIG. 9

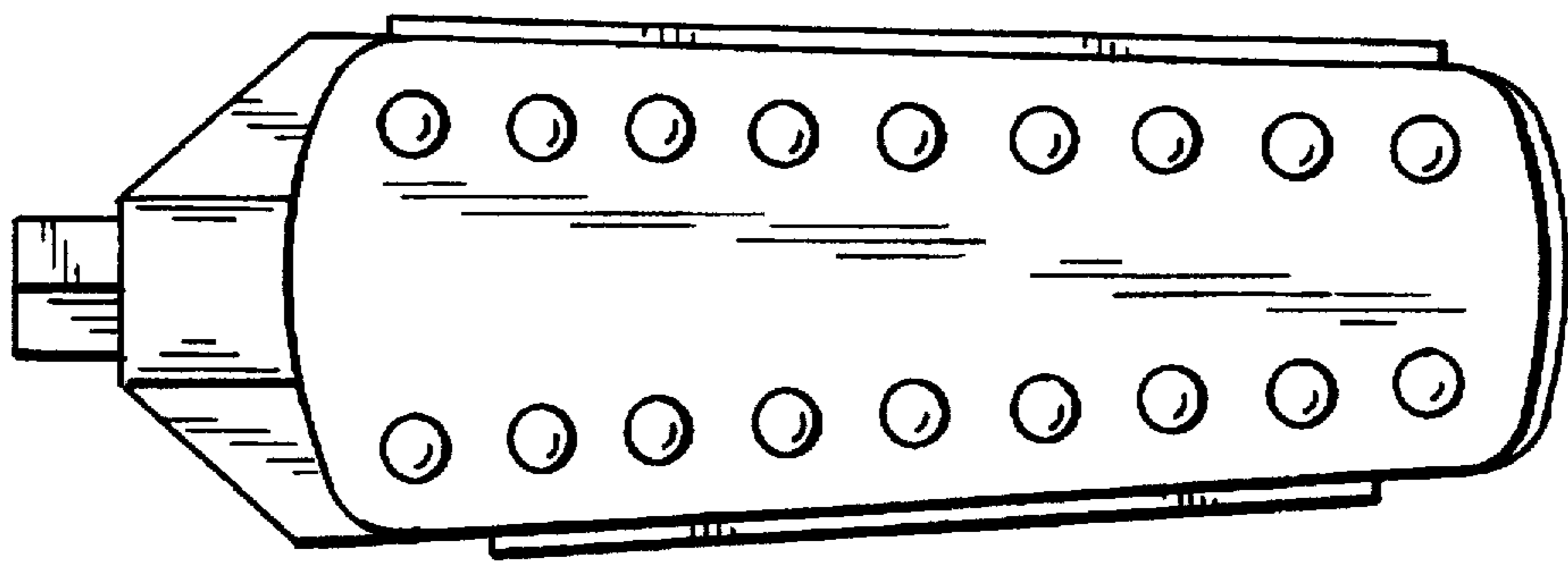
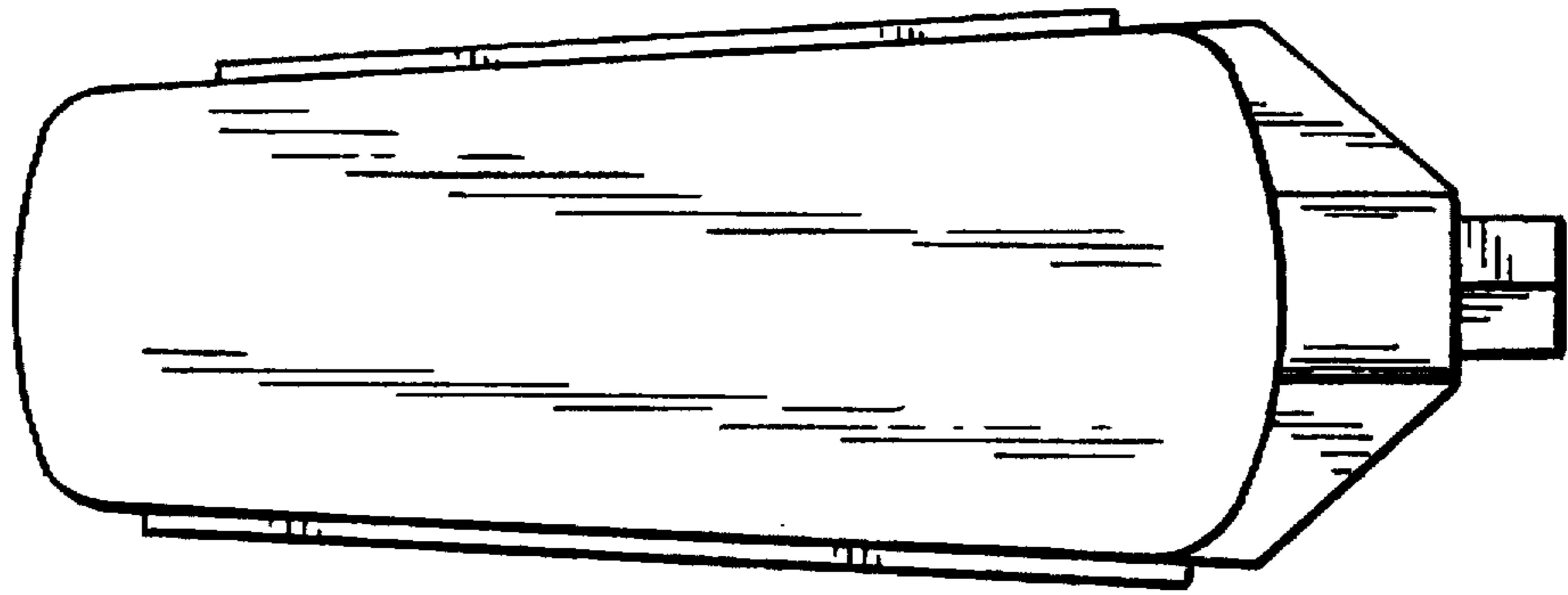


FIG. 8