

US00D385170S

United States Patent [19] Rivera

[11] Patent Number: **Des. 385,170**

[45] Date of Patent: *****Oct. 21, 1997**

[54] **FOLDING SCISSORS**

[75] Inventor: **Benjamin C. Rivera**, West Linn, Oreg.

[73] Assignee: **Leatherman Tool Group, Inc.**,
Portland, Oreg.

[*] Notice: The portion of the term of this patent subsequent to Jul. 1, 2011, has been disclaimed.

[**] Term: **14 Years**

5,062,173 11/1991 Collins et al. 7/128
 5,142,721 9/1992 Sessions et al. 7/128
 5,212,844 5/1993 Sessions et al. 7/128
 5,267,366 12/1993 Frazer 7/128

FOREIGN PATENT DOCUMENTS

409943 5/1910 France .
 2322229 5/1974 German Dem. Rep. .
 29556 4/1884 Germany .
 145784 7/1902 Germany .
 521555 3/1955 Italy .

OTHER PUBLICATIONS

Slip 'n' Snip Collapsible Scissors, at least as early as Oct. 1994.
 Leatherman Tool Group, Inc., "The Original Leatherman PST II" -Jul. 1995.
 Folding Scissors, at least as early as Oct. 1994.
Primary Examiner—Philip S. Hyder
Attorney, Agent, or Firm—Chernoff, Vilhauer, McClung & Stenzel

[21] Appl. No.: **47,307**

[22] Filed: **Nov. 29, 1995**

[51] LOC (6) Cl. **08-05**

[52] U.S. Cl. **D8/52; D3/18**

[58] Field of Search D3/18; D8/57,
D8/105, 51, 52, 98, 5; 7/128, 129; 30/255,
254, 260, 266, 268

[56] References Cited

U.S. PATENT DOCUMENTS

D. 296,042 6/1988 Lee D3/18
 D. 303,872 10/1989 Tamamura D3/18
 310,439 1/1885 Kamak .
 464,405 12/1891 Widmann .
 515,828 3/1894 Hayden .
 696,995 4/1902 Moser .
 1,524,694 2/1925 Maio 30/255
 1,828,121 10/1931 Adam et al. .
 2,575,652 11/1951 Bovee 81/43
 2,952,912 9/1960 Crawford 30/255
 3,766,648 10/1973 Chundelak, Jr. 30/255
 3,781,992 1/1974 Barr 30/255
 4,238,862 12/1980 Leatherman 7/128
 4,744,272 5/1988 Leatherman 7/129

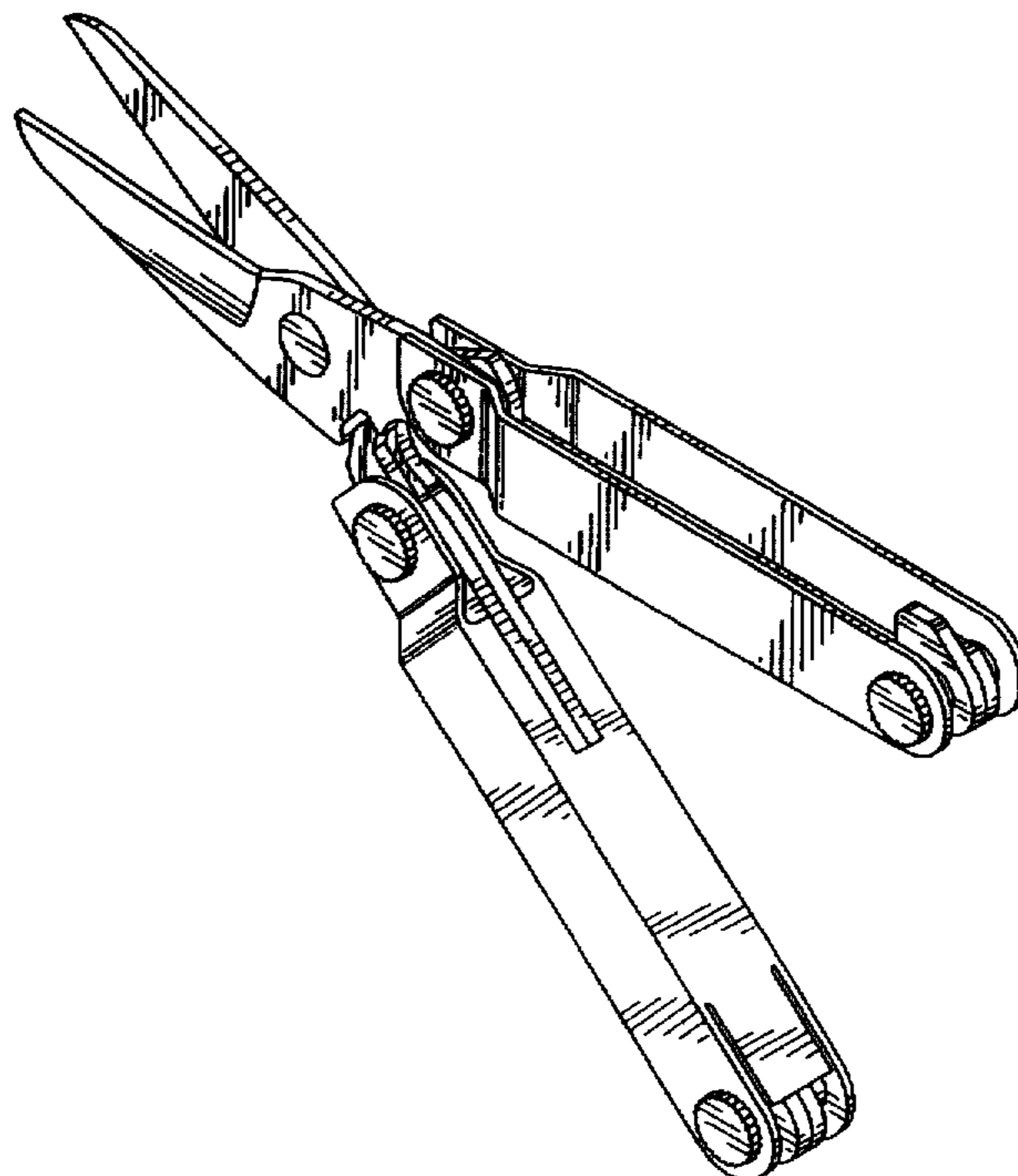
[57] CLAIM

The ornamental design for a folding scissors, as shown and described.

DESCRIPTION

FIG. 1 is a side elevational view of a folding scissors showing my new design, the other side being identical to that shown;
 FIG. 2 is a front end elevational view thereof;
 FIG. 3 is a rear end elevational view thereof;
 FIG. 4 is a top plan view thereof, the bottom plan view thereof being identical thereto; and,
 FIG. 5 is a perspective view thereof.

1 Claim, 2 Drawing Sheets



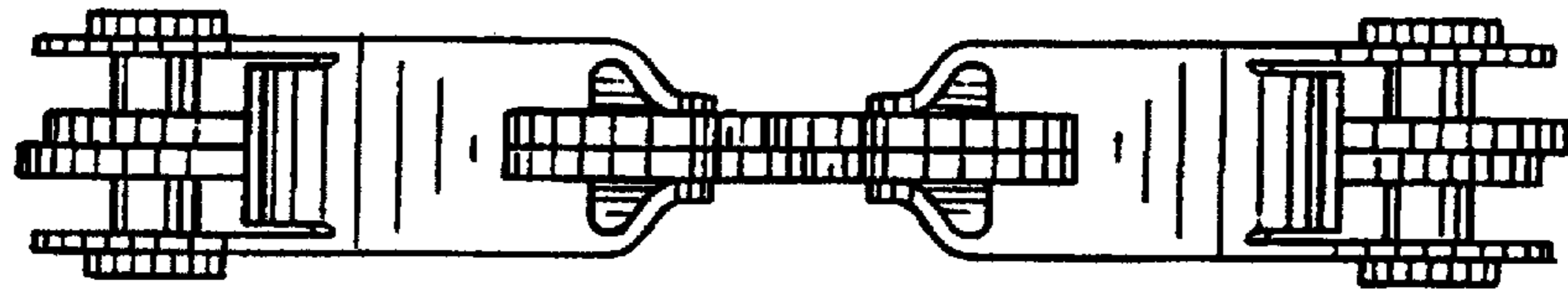


FIG.3

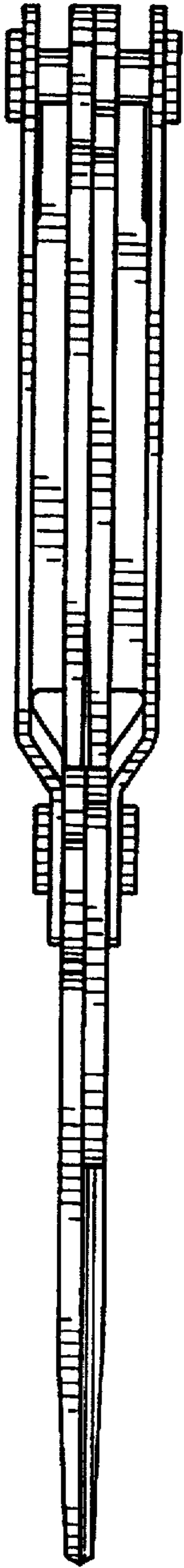


FIG.4

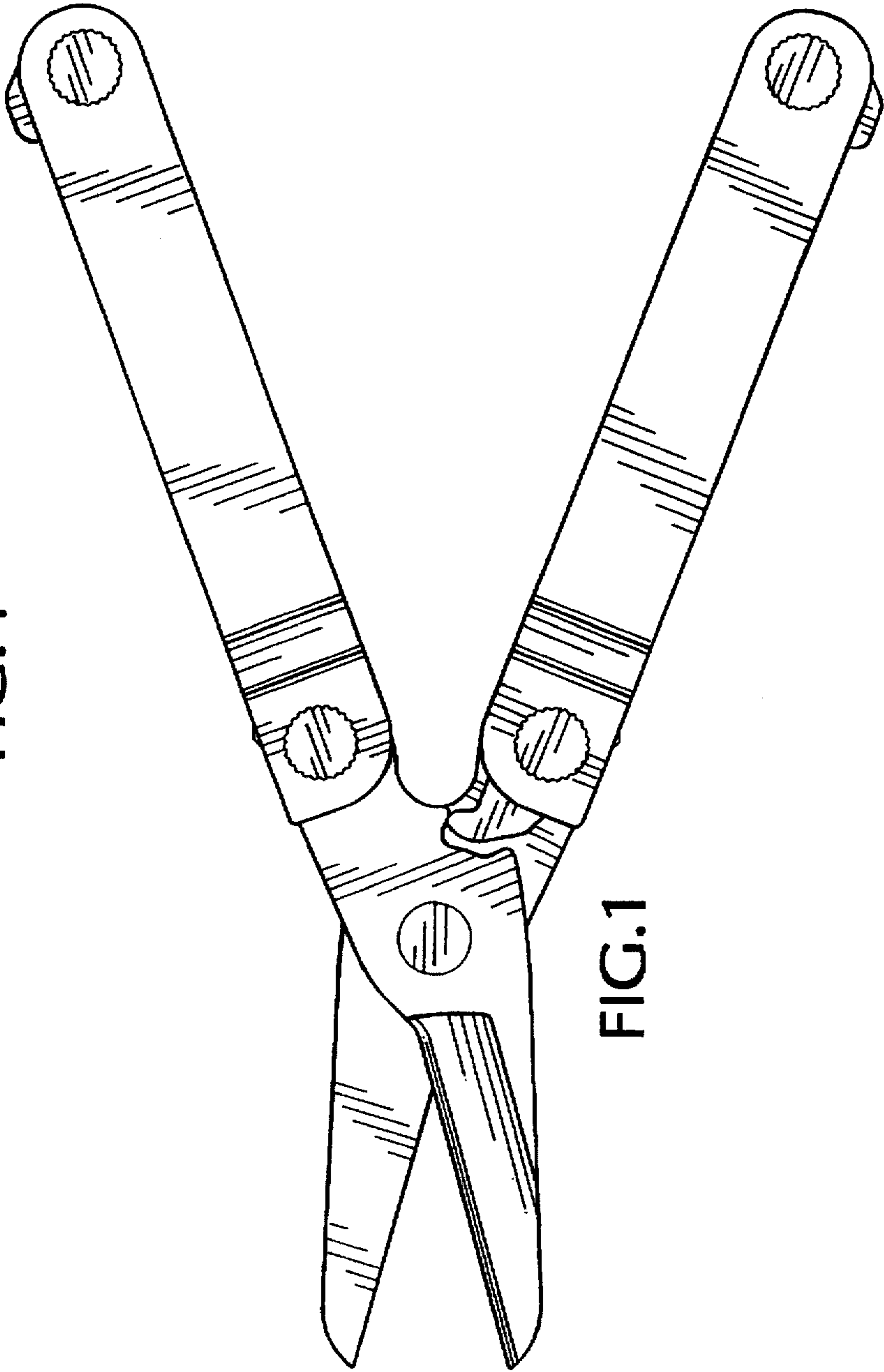


FIG.1

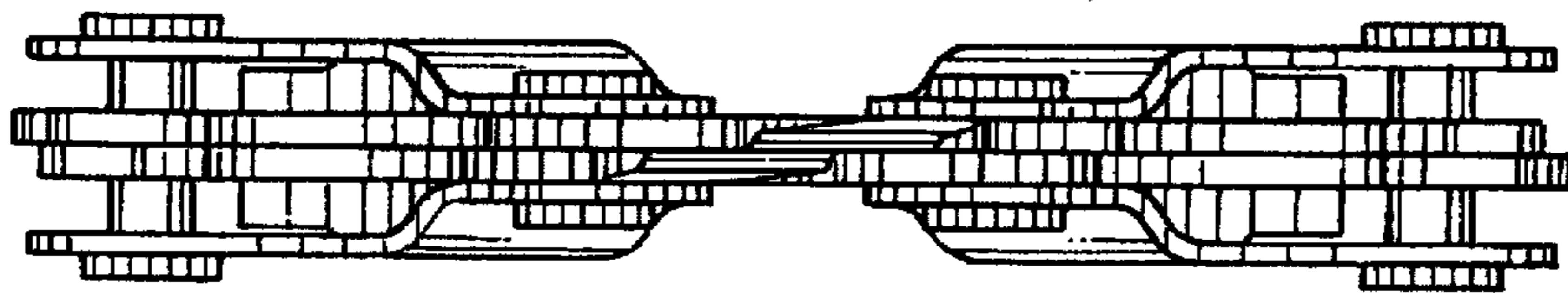


FIG.2

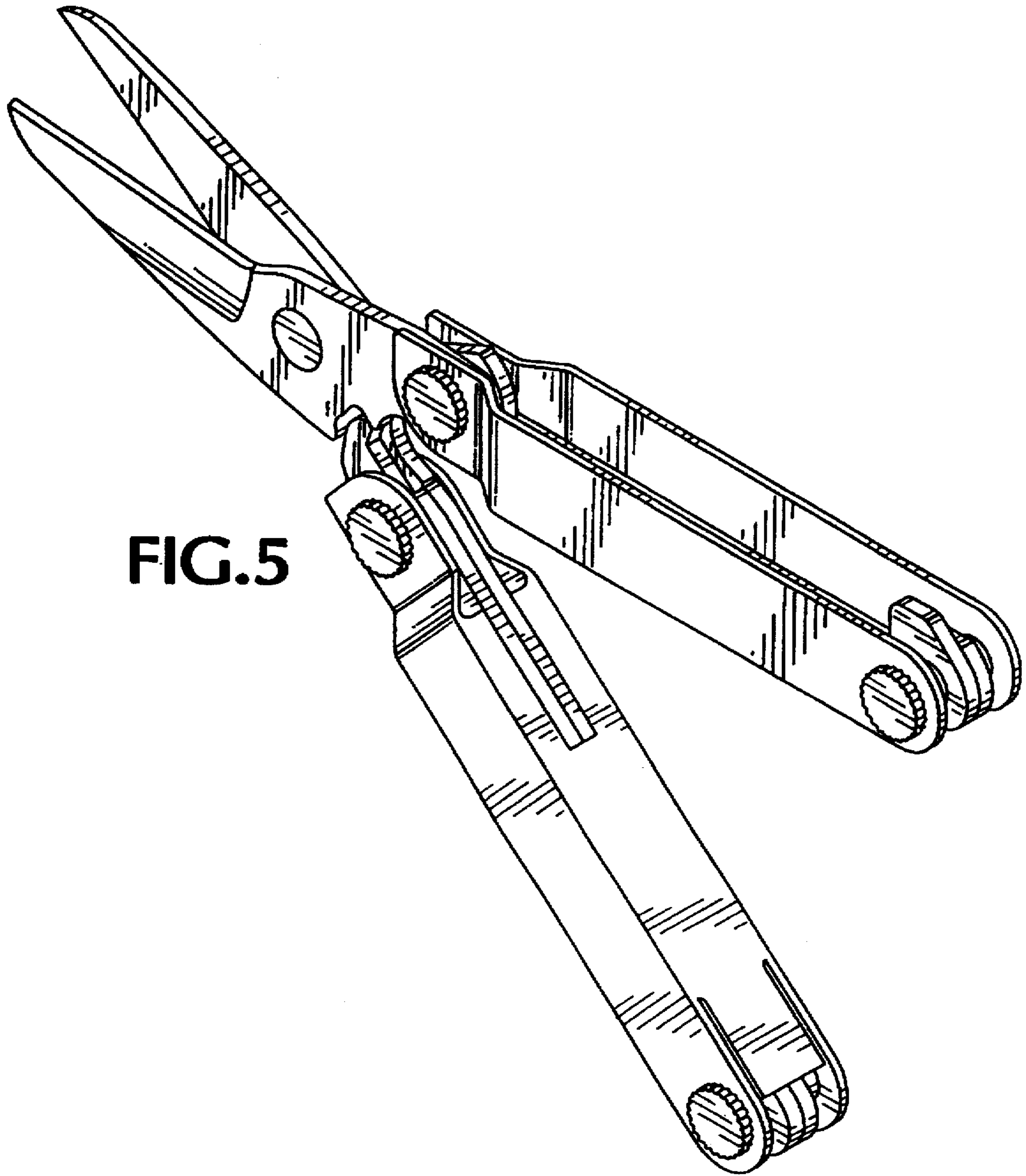


FIG.5