



US00D385169S

United States Patent [19] Rivera

[11] Patent Number: **Des. 385,169**

[45] Date of Patent: *****Oct. 21, 1997**

[54] **FOLDING SCISSORS**

[75] Inventor: **Benjamin C. Rivera**, West Linn, Oreg.

[73] Assignee: **Leatherman Tool Group, Inc.**,
Portland, Oreg.

[*] Notice: The portion of the term of this patent subsequent to Jul. 1, 2011, has been disclaimed.

[**] Term: **14 Years**

5,062,173 11/1991 Collins et al. 7/128
 5,142,721 9/1992 Sessions et al. 7/128
 5,212,844 5/1993 Sessions et al. 7/128
 5,267,366 12/1993 Frazer 7/128

FOREIGN PATENT DOCUMENTS

409943 5/1910 France .
 29556 4/1884 Germany .
 145784 7/1902 Germany .
 2322229 5/1974 Germany .
 521555 3/1955 Italy .

OTHER PUBLICATIONS

Slip 'n' Snip Collapsible Scissors, at least as early as Oct. 1994.

Leatherman Tool Group, Inc., "The Original Leatherman PST II"-Jul. 1995.

Folding Scissors, at least as early as Oct. 1994.

Primary Examiner—Philip S. Hyder

Attorney, Agent, or Firm—Chernoff, Vilhauer, McClung & Stenzel

[21] Appl. No.: **47,300**

[22] Filed: **Nov. 29, 1995**

[51] LOC (6) Cl. **08-05**

[52] U.S. Cl. **D8/52; D3/18**

[58] Field of Search D8/57, 105, 51,
D8/52, 98, 5; D3/18; 7/128, 129; 30/254,
255, 260, 266, 268

[56] References Cited

U.S. PATENT DOCUMENTS

D. 296,042 6/1988 Lee D3/18
 D. 303,872 10/1989 Tamamura D3/18
 310,439 1/1885 Kamak .
 464,405 12/1891 Widmann .
 515,828 3/1894 Hayden .
 696,995 4/1902 Moser .
 1,524,694 2/1925 Maio 30/255
 1,828,121 10/1931 Adam et al. .
 2,575,652 11/1951 Bovee 81/43
 2,952,912 9/1960 Crawford 30/255
 3,766,648 10/1973 Chundelak, Jr. 30/255
 3,781,992 1/1974 Barr 30/255
 4,238,862 12/1980 Leatherman 7/128
 4,744,272 5/1988 Leatherman 7/129

[57] CLAIM

The ornamental design for a folding scissors, as shown and described.

DESCRIPTION

FIG. 1 is a left side elevational view of a folding scissors showing my new design;

FIG. 2 is a front end elevational view thereof;

FIG. 3 is a rear end elevational view thereof;

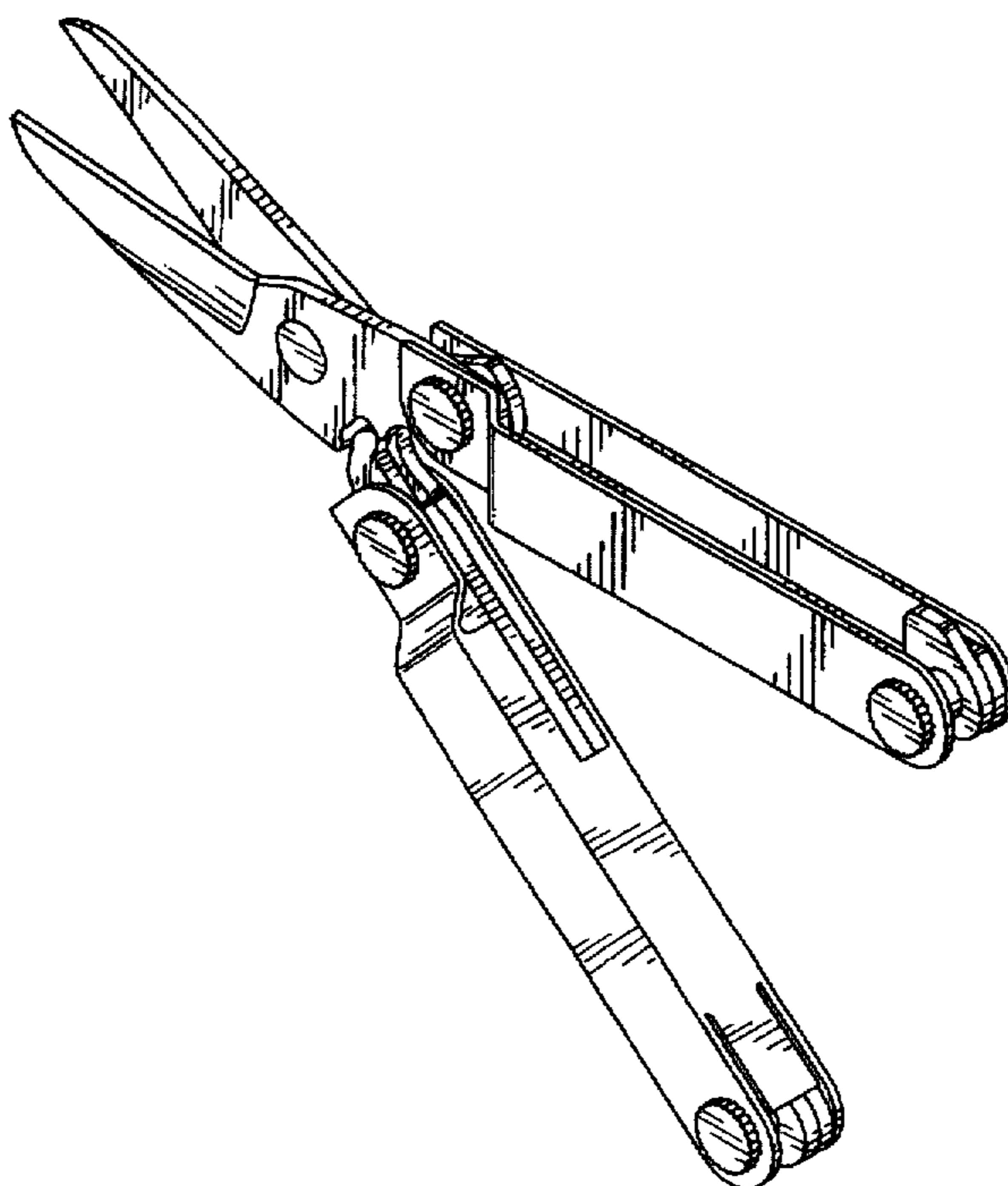
FIG. 4 is a top plan view thereof;

FIG. 5 is a bottom plan view thereof;

FIG. 6 is a right side elevational view thereof; and,

FIG. 7 is a perspective view thereof.

1 Claim, 3 Drawing Sheets



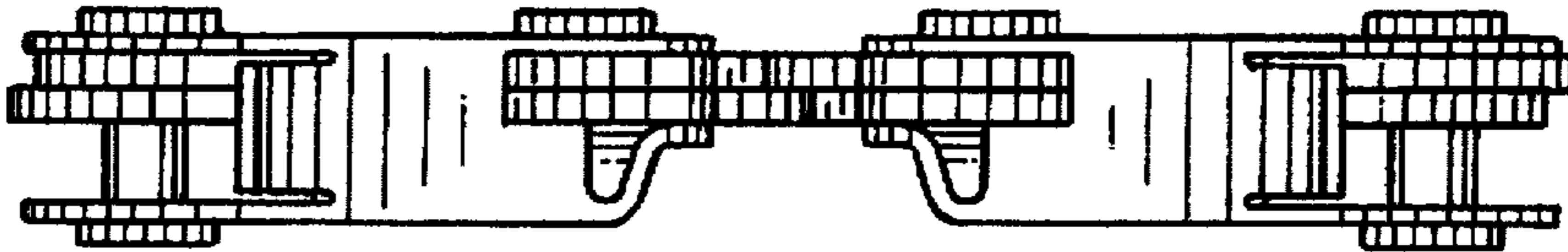


FIG. 3

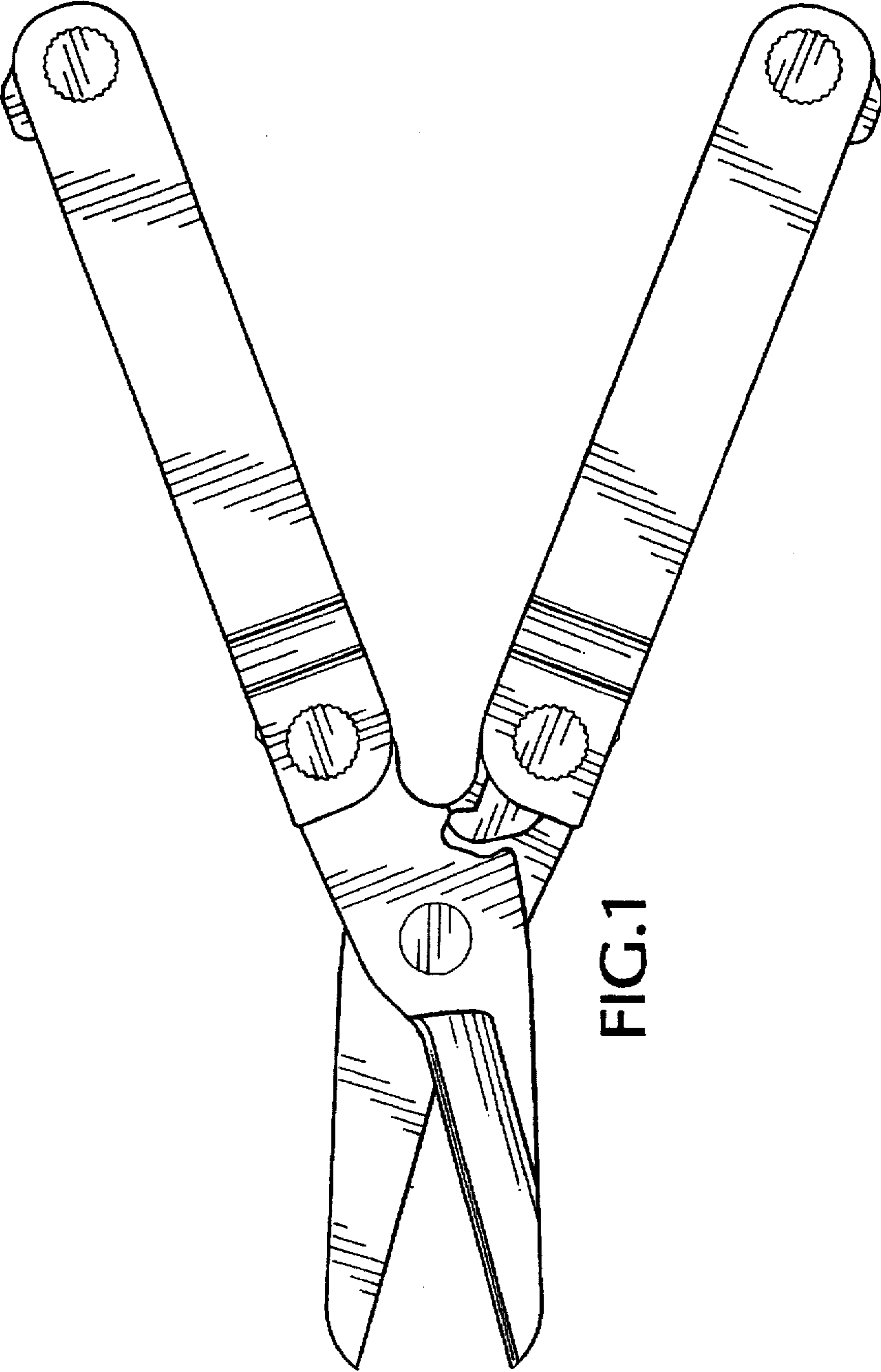


FIG. 1

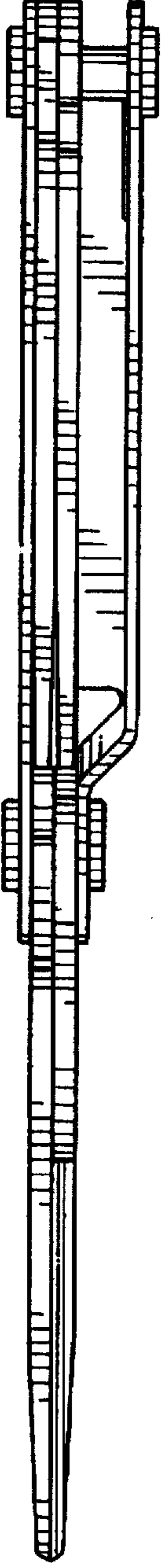


FIG. 4

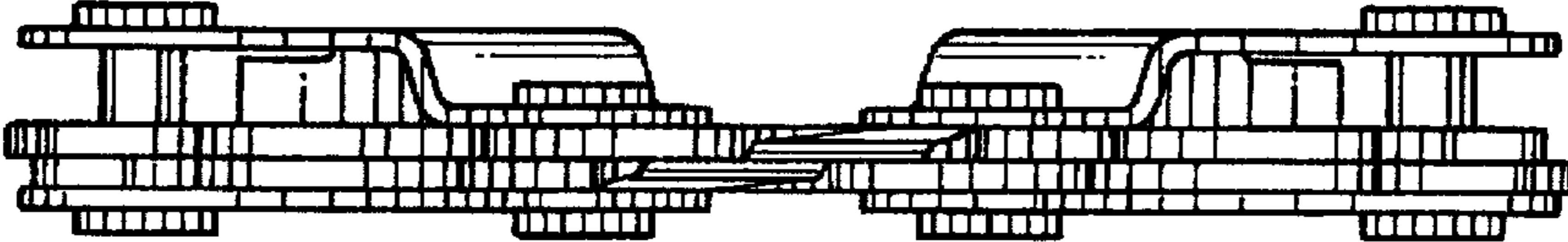


FIG. 2

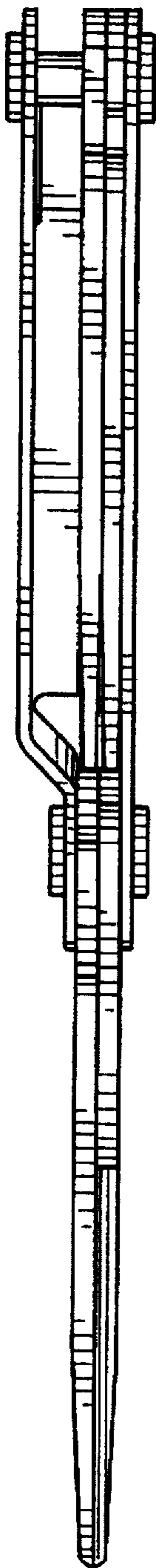


FIG. 5

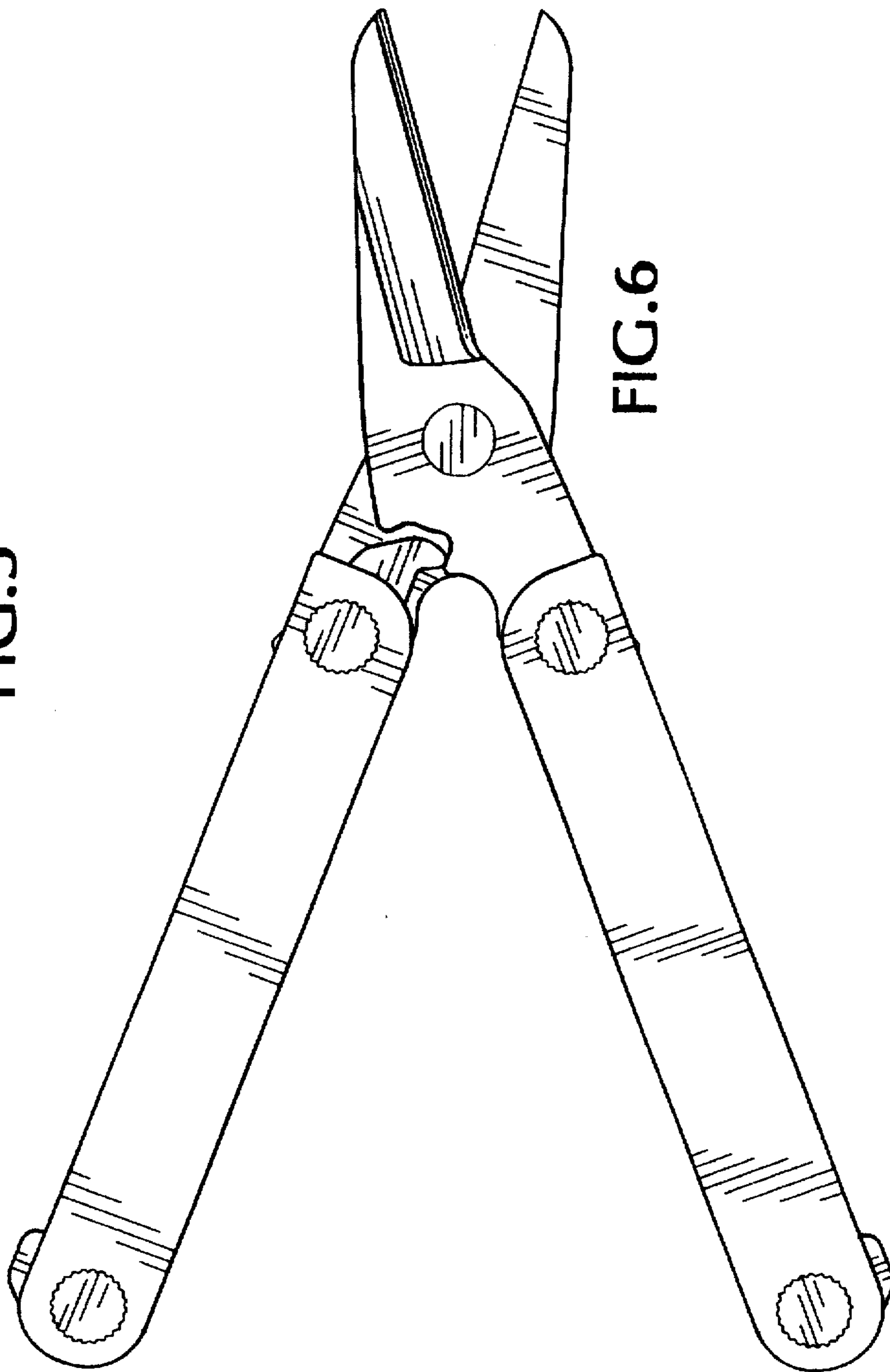


FIG. 6

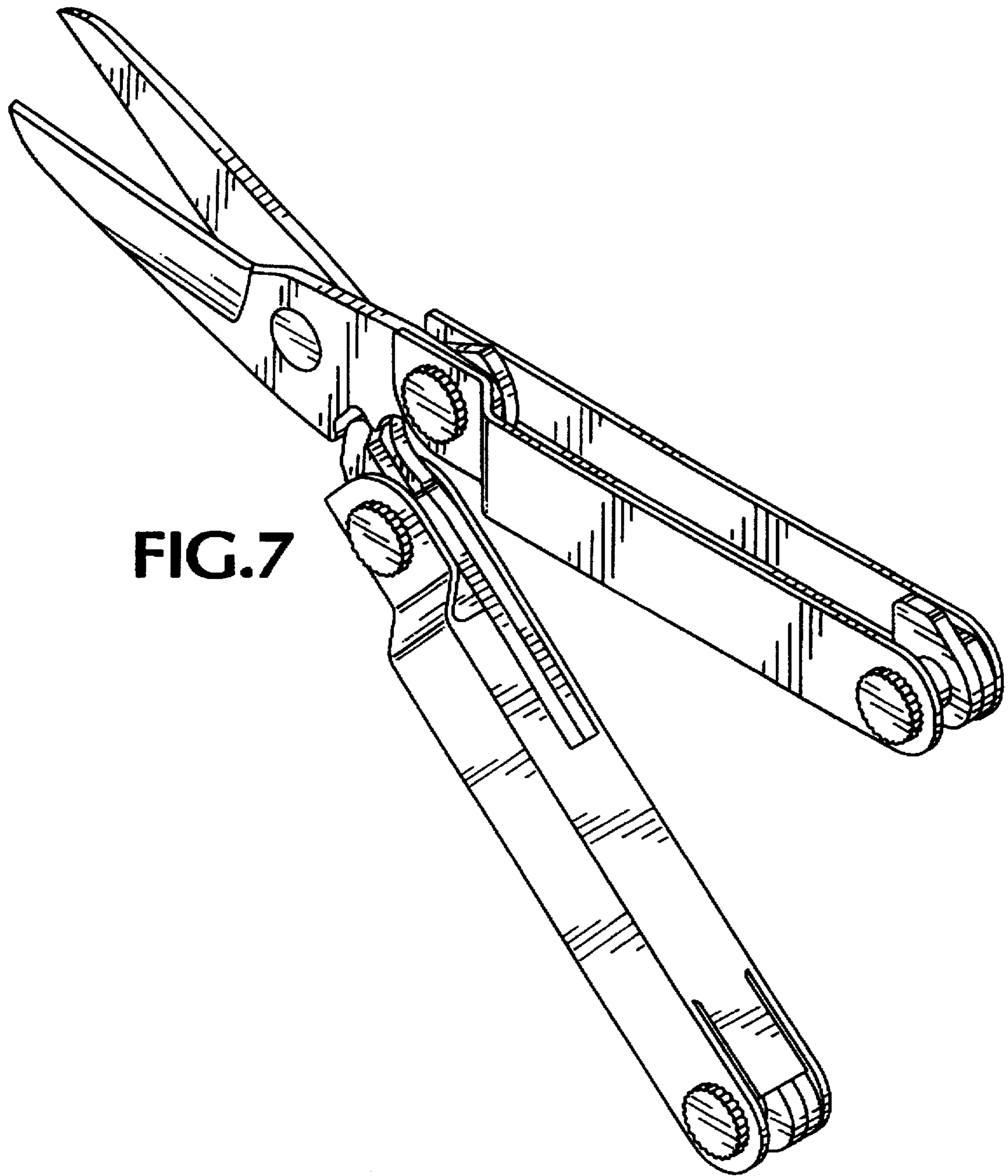


FIG.7