



US00D385167S

United States Patent [19]

[11] Patent Number: **Des. 385,167**

Weber

[45] Date of Patent: ****Oct. 21, 1997**

[54] **DOUBLE SPLIT**

[57] **CLAIM**

[76] Inventor: **Terry F. Weber**, Rte. 2 Box 139,
Berkeley Springs, W. Va. 25411

The ornamental design for a double split, as shown and described.

[**] Term: **14 Years**

DESCRIPTION

[21] Appl. No.: **56,807**

FIG. 1 is a perspective view of a double split showing my new design;

[22] Filed: **Jul. 9, 1996**

FIG. 2 is a rear elevation view;

[51] LOC (6) Cl. **08-05**

FIG. 3 is a top plan view;

[52] U.S. Cl. **D8/47**

FIG. 4 is a front elevation view;

[58] Field of Search D8/47, 98; 144/193.1-195.9;
254/104

FIG. 5 is a right side elevation view, the opposite side being a mirror image;

FIG. 6 is a bottom plan view;

[56] **References Cited**

U.S. PATENT DOCUMENTS

D. 297,500	9/1988	Kaplan	D8/47
4,209,046	6/1980	Lavigne	144/195.7
4,462,441	7/1984	Hillinger	144/195.7

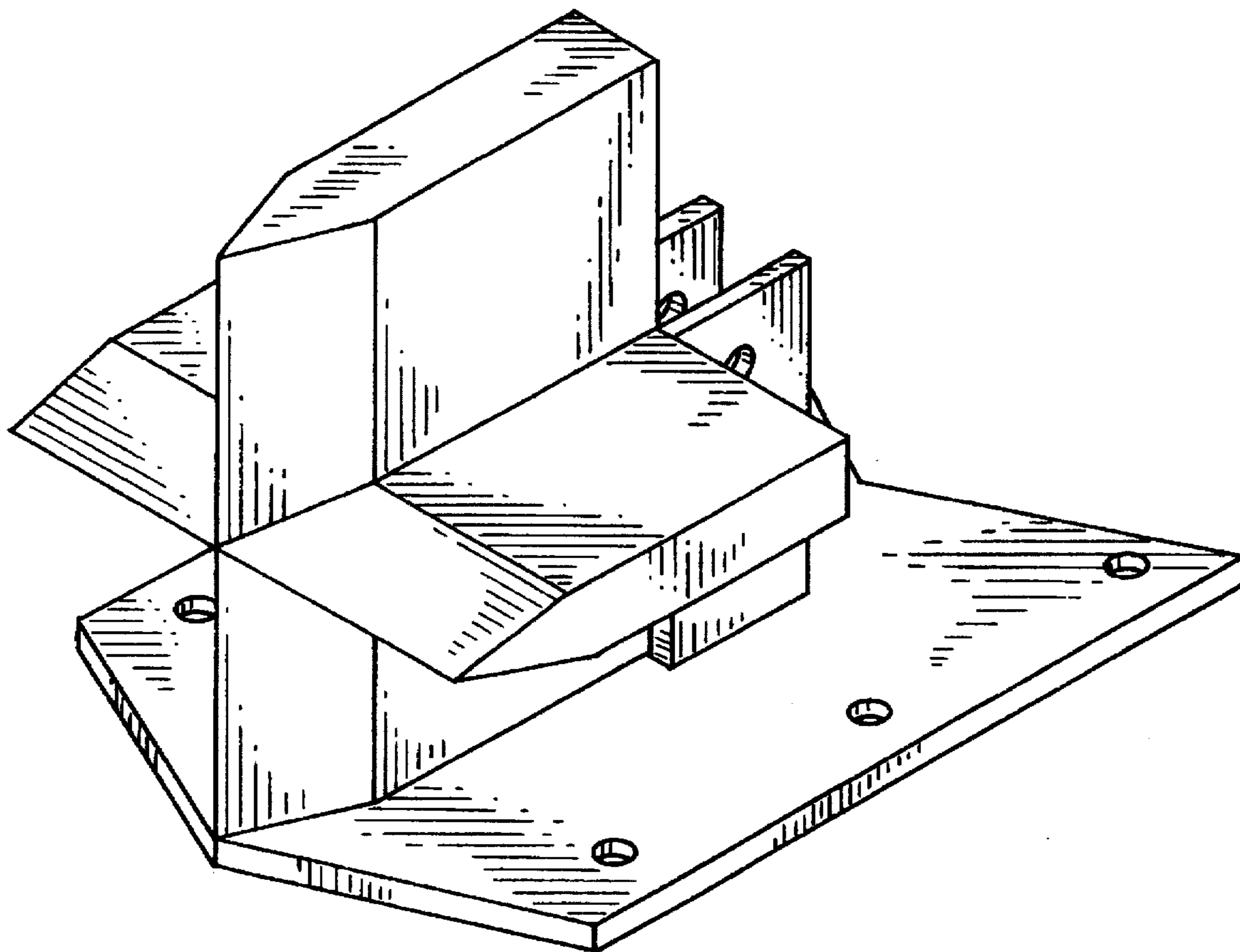
FIG. 7 is a front elevation view of a second embodiment of my new design;

FIG. 8 is a right side elevation view, the opposite side view being a mirror image, all other views being the same as those shown in FIGS. 3 and 6; and,

FIG. 9 is a perspective view of a third embodiment of my new design, all other views being the same as those shown in FIGS. 2-6 with the exception of the base portion.

Primary Examiner—Antoine Duval Davis
Attorney, Agent, or Firm—Michael J. Colitz, Jr.

1 Claim, 3 Drawing Sheets



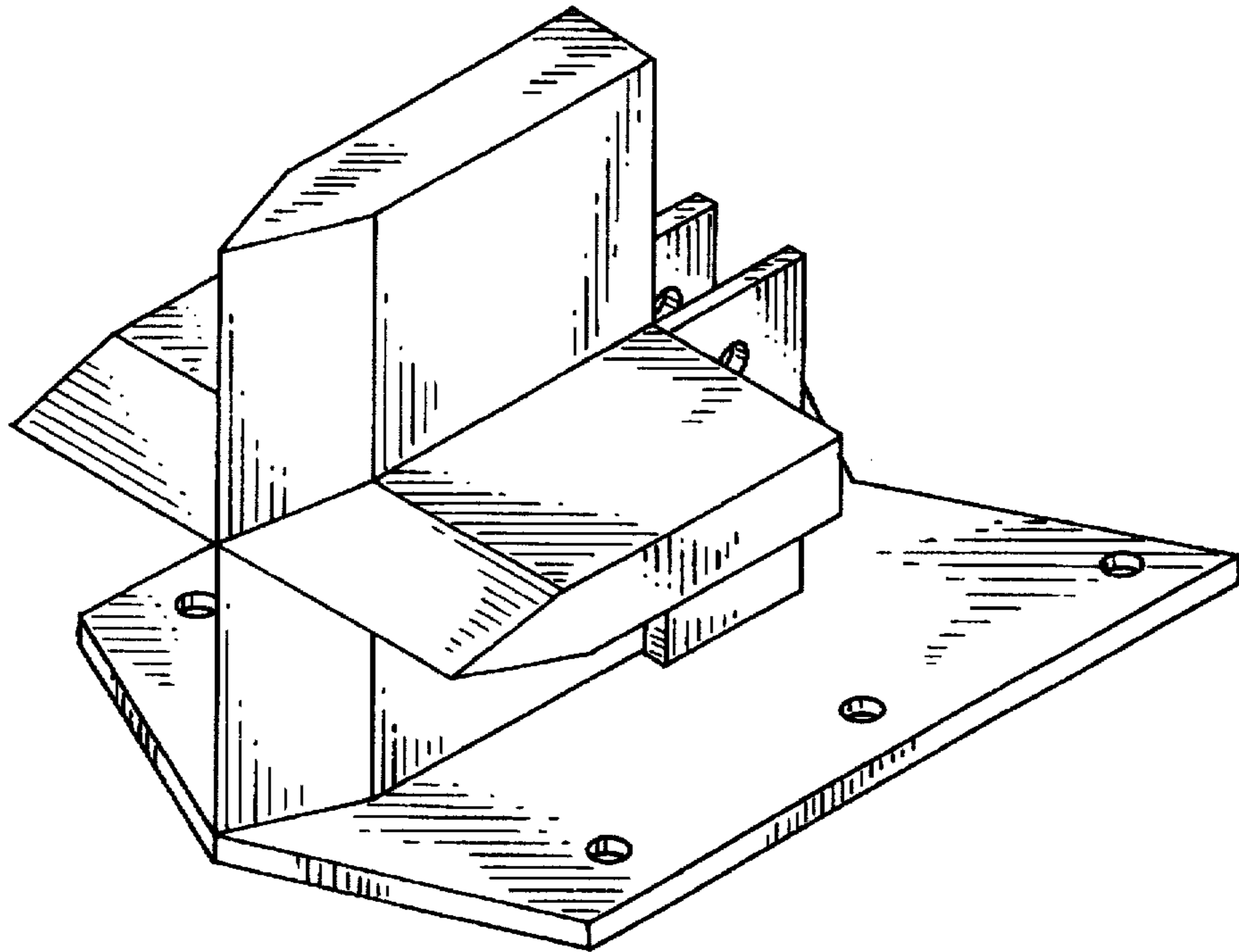


FIG. 1

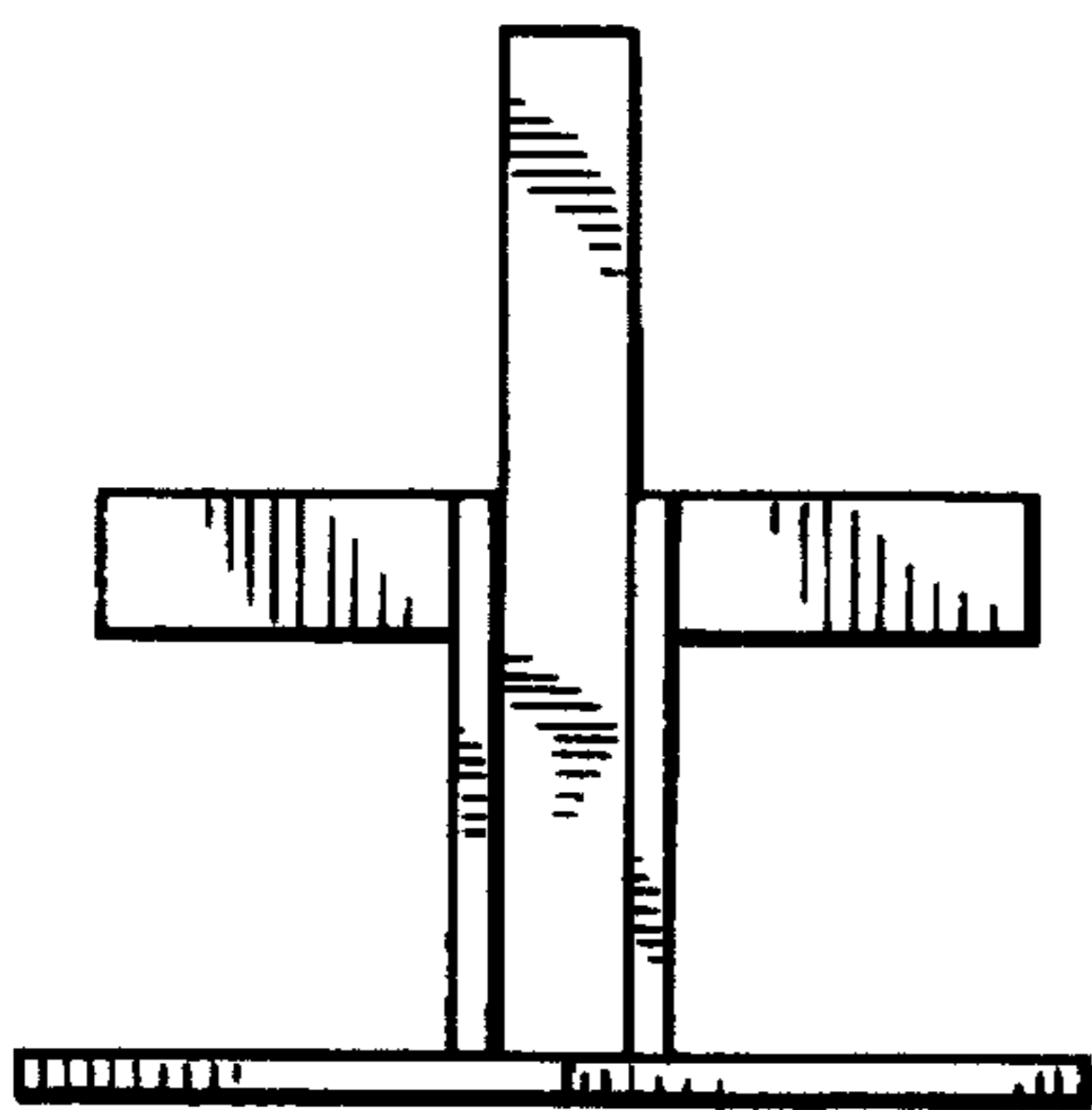


FIG. 2

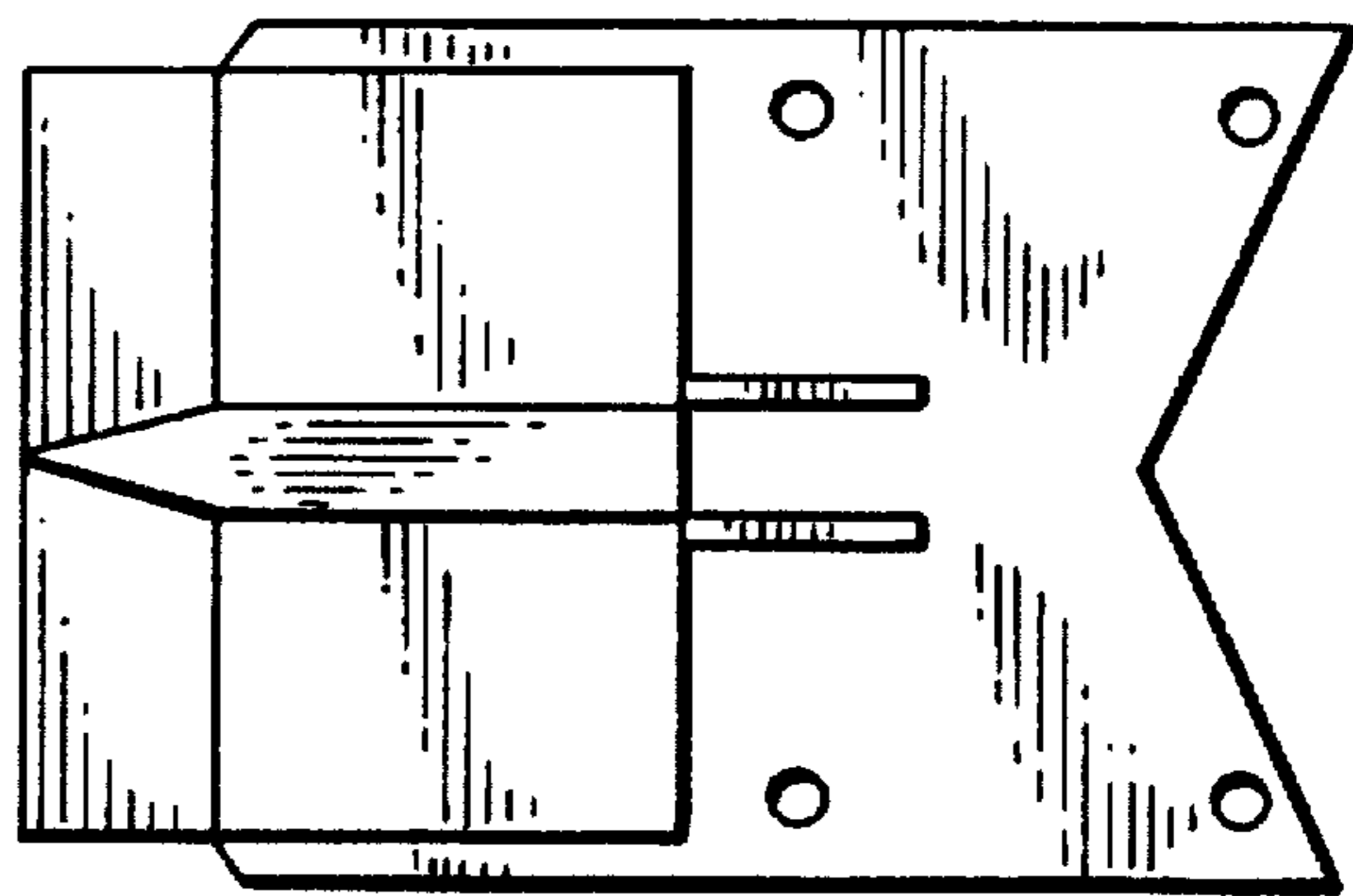


FIG. 3

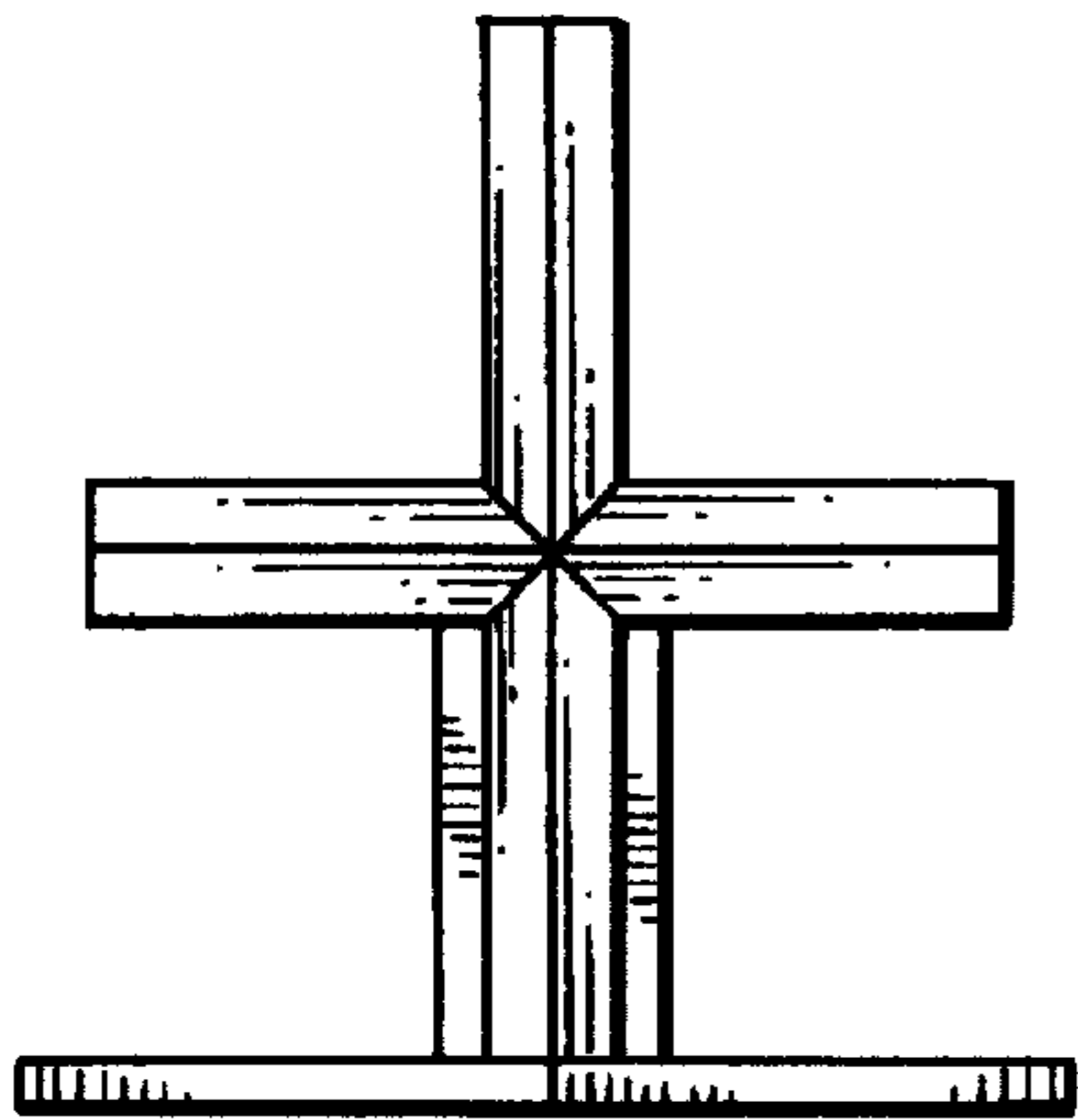


FIG. 4

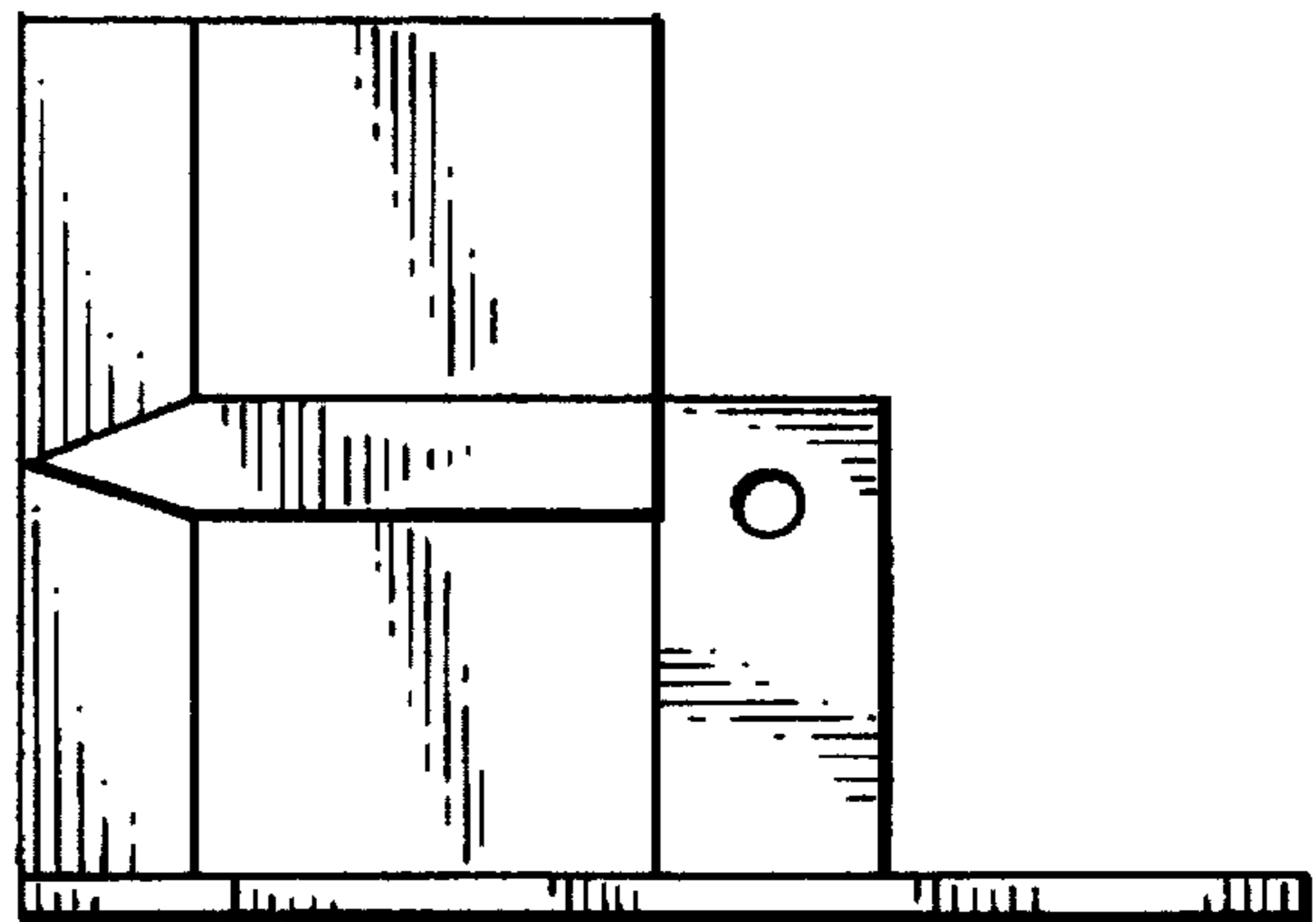


FIG. 5

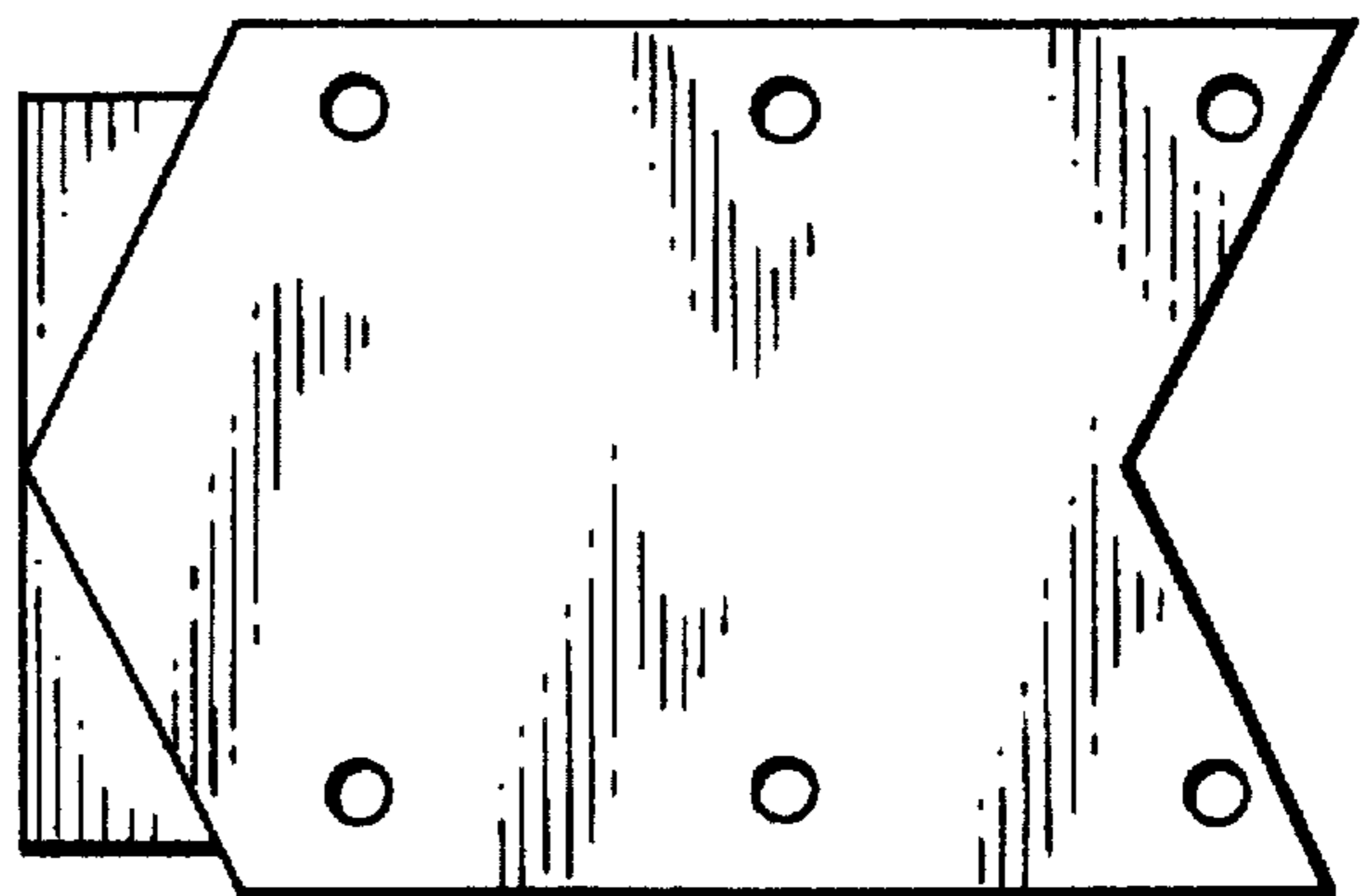


FIG. 6

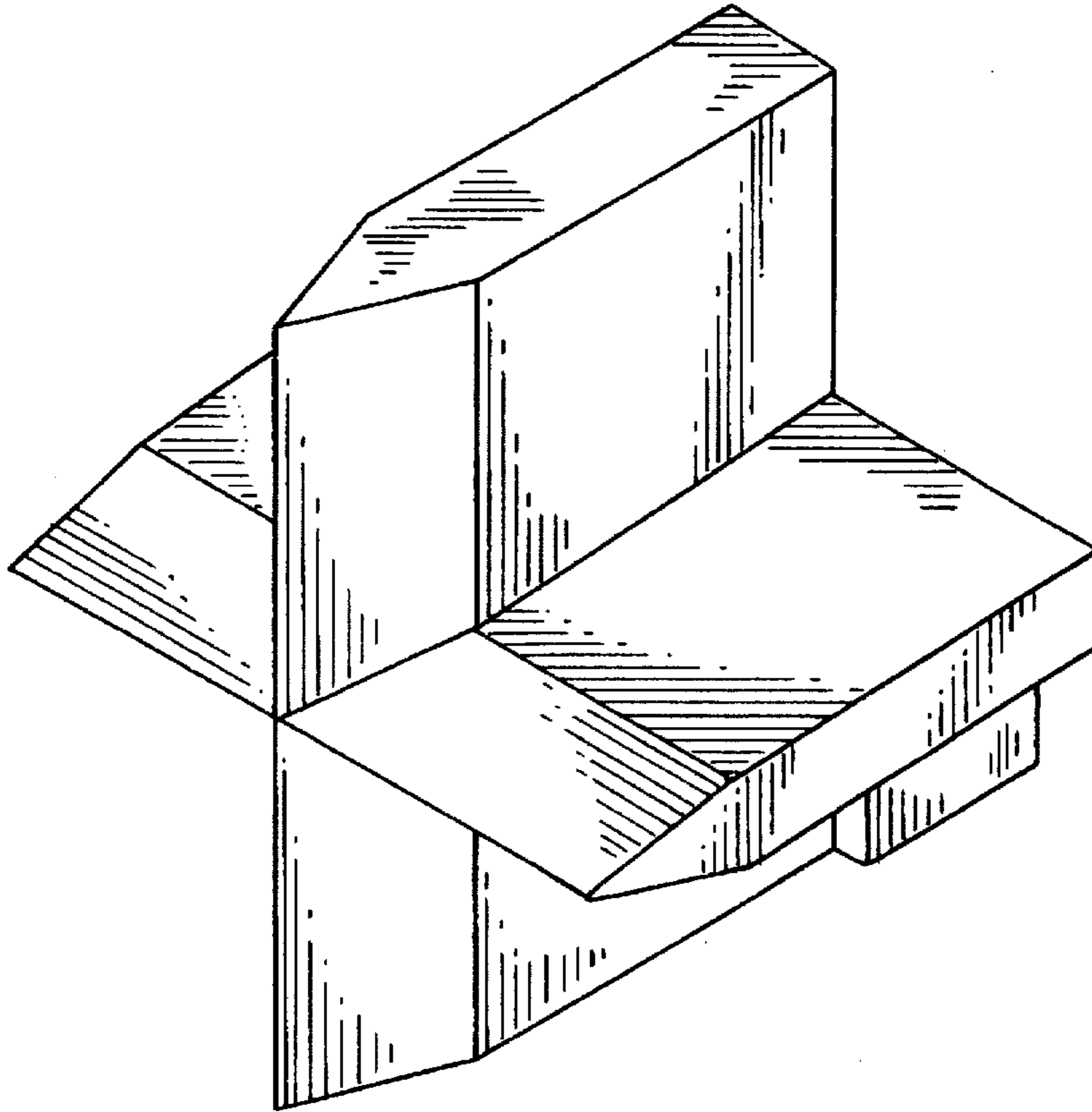


FIG. 9

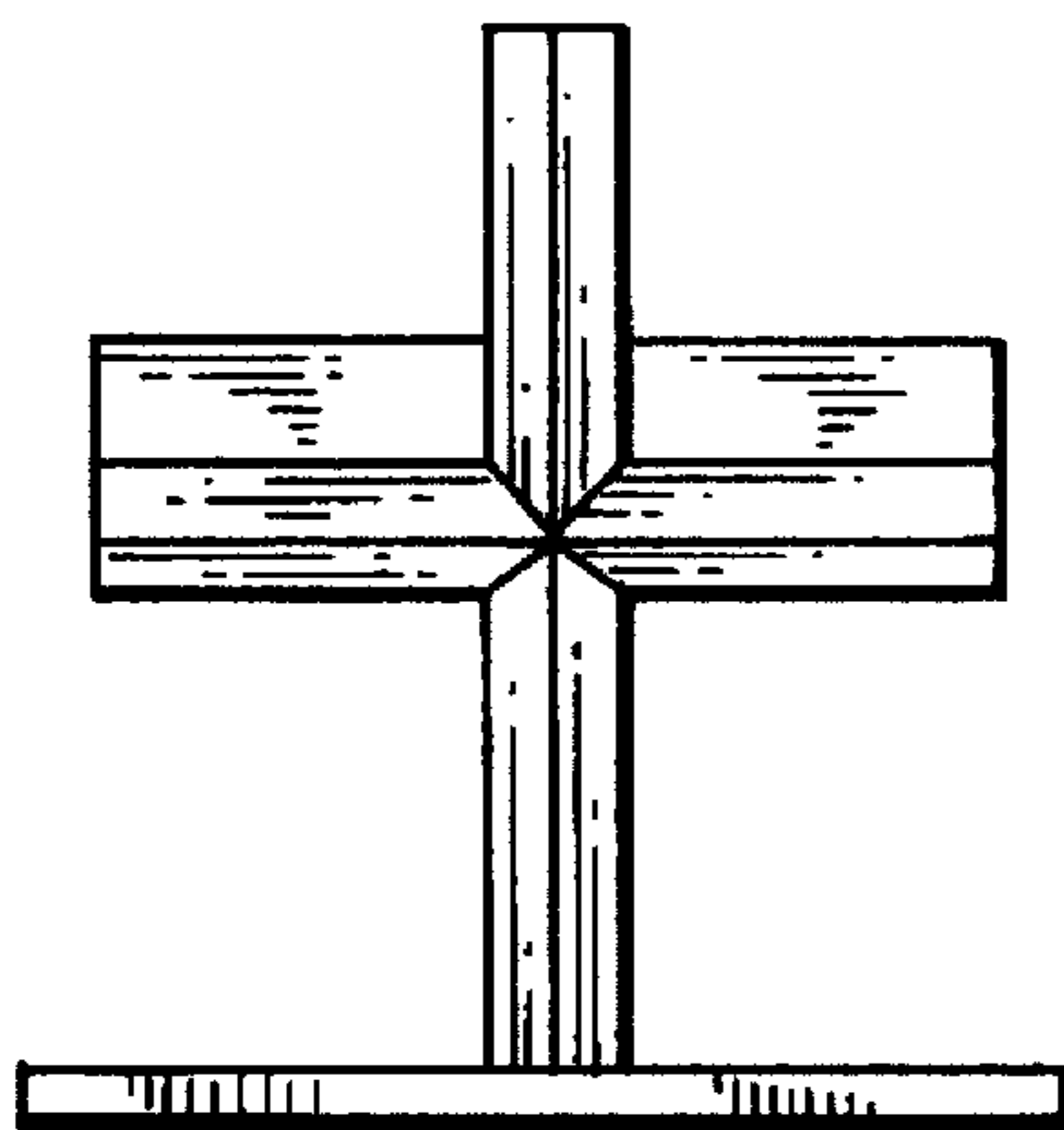


FIG. 7

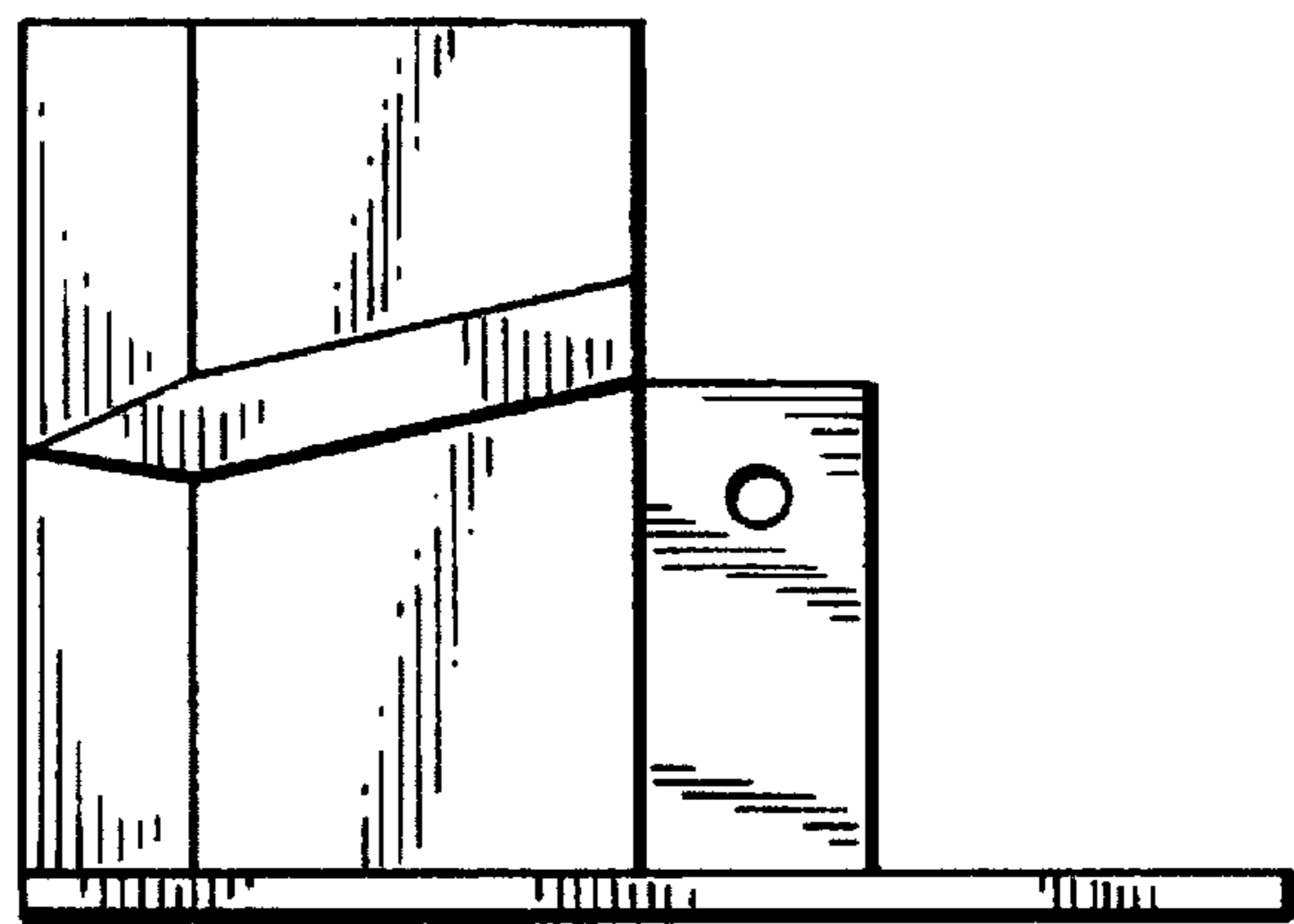


FIG. 8