



US00D385165S

# United States Patent [19] Suksi

[11] Patent Number: Des. 385,165

[45] Date of Patent: \*\*Oct. 21, 1997

## [54] COMBINATION ADJUSTABLE WRENCH

[75] Inventor: Paul Suksi, Colorado Springs, Colo.

[73] Assignee: Alvin C. Collins, Colorado Springs, Colo.

[\*\*] Term: 14 Years

[21] Appl. No.: 56,225

[22] Filed: Jun. 18, 1996

[51] LOC (6) Cl. .... 08-05

[52] U.S. Cl. .... D8/22; D8/26; D8/28

[58] Field of Search ..... D8/21, 22, 26, D8/28, 105; 81/77, 128, 173-176; 7/137, 139

## [56] References Cited

### U.S. PATENT DOCUMENTS

D. 47,435	6/1915	Petersen	.....	D8/22
1,117,562	11/1914	Hale	.....	81/77
3,363,490	1/1968	Maichen	.....	81/128
4,987,805	1/1991	Ejdenwik	.....	81/77

### FOREIGN PATENT DOCUMENTS

166763	7/1921	United Kingdom	.....	81/77
--------	--------	----------------	-------	-------

## OTHER PUBLICATIONS

Handsome Rewards Publication, Infinitely Adjustable Box Wrench Advertisement Handsome Rewards 19465 Brennan Ave Perris, CA 92379.

Primary Examiner—Sandra L. Morris  
Assistant Examiner—Richelle Shelton  
Attorney, Agent, or Firm—Pollock, Vande Sande & Priddy

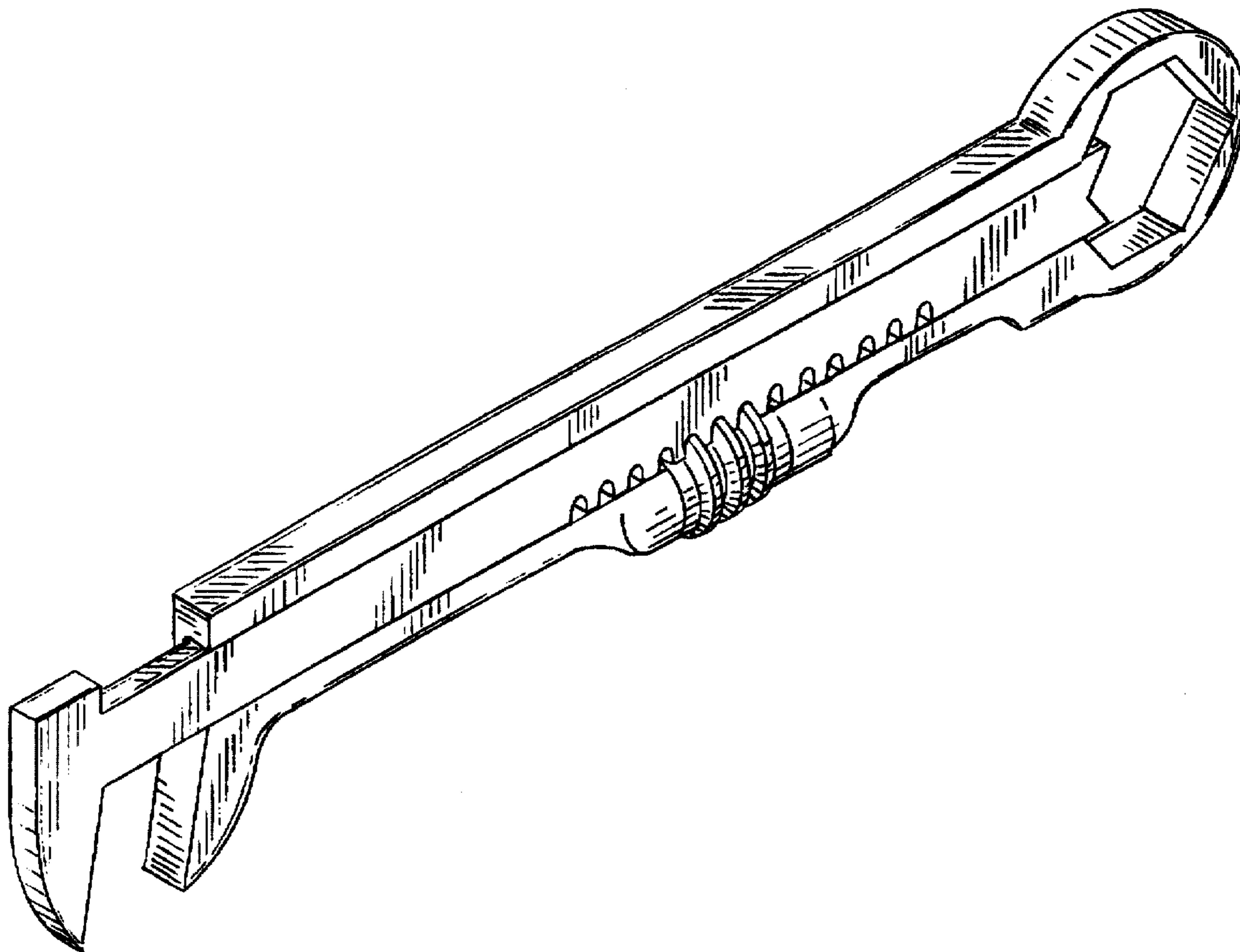
## [57] CLAIM

The ornamental design for a combination adjustable wrench, as shown and described.

## DESCRIPTION

FIG. 1 is a perspective view of the preferred embodiment of the new design;  
FIG. 2 is a front view of the embodiment of FIG. 1;  
FIG. 3 is a rear view of the embodiment of FIG. 1;  
FIG. 4 is a top view of the embodiment of FIG. 1;  
FIG. 5 is a bottom view of the embodiment of FIG. 1;  
FIG. 6 is a first end view of the embodiment of FIG. 1; and,  
FIG. 7 is a second end view of the embodiment of FIG. 1.

1 Claim, 2 Drawing Sheets



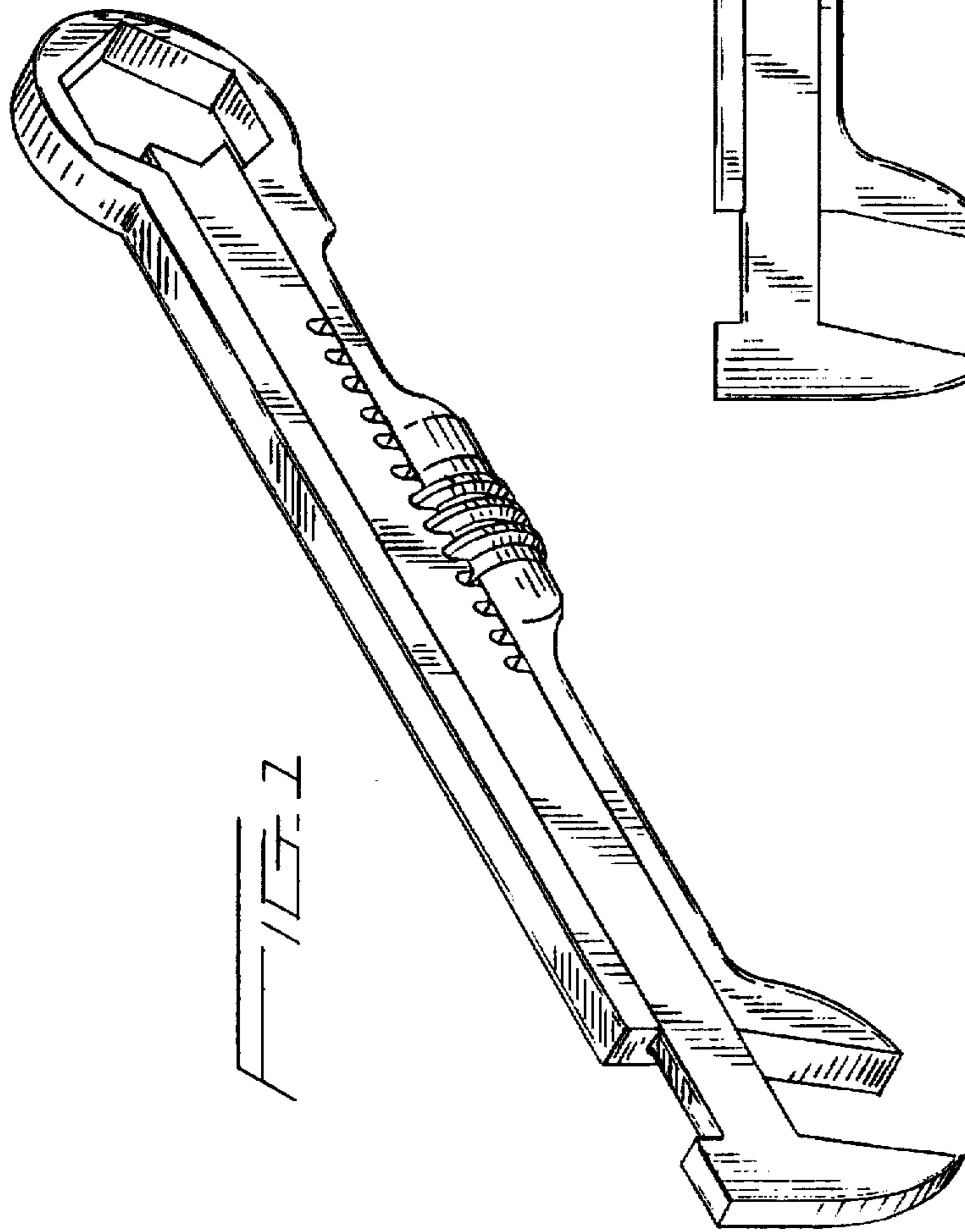


FIG. 2

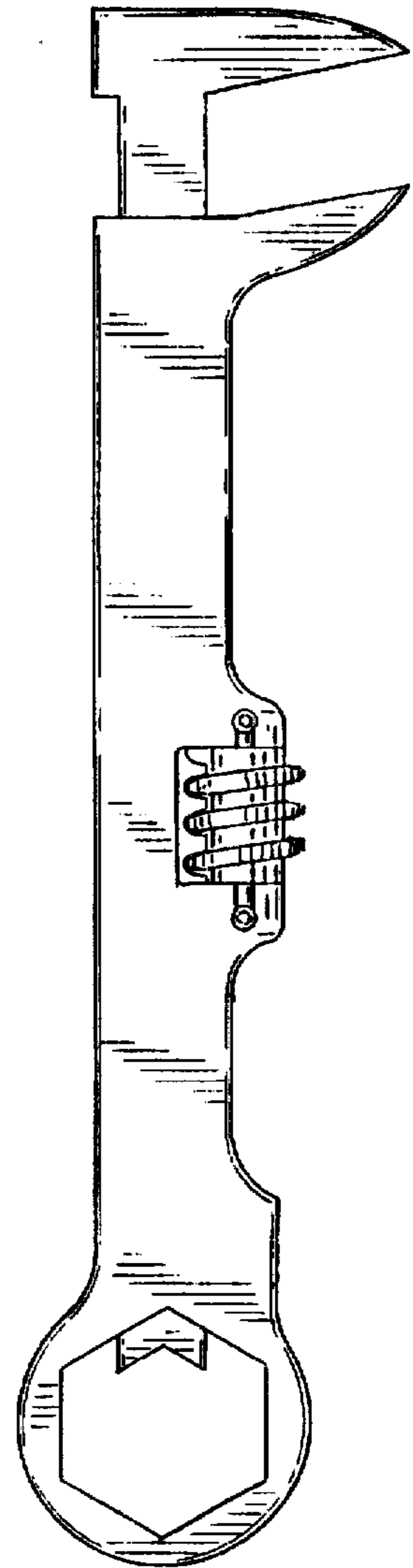
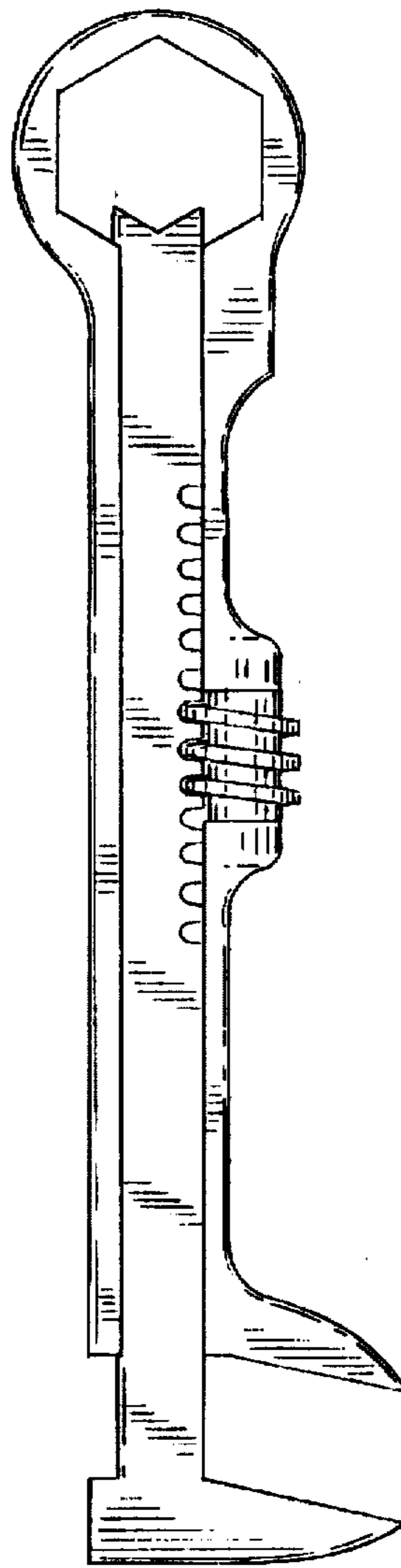


FIG. 3

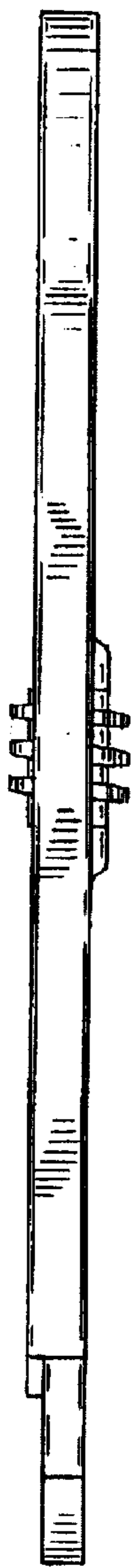


FIG. 4

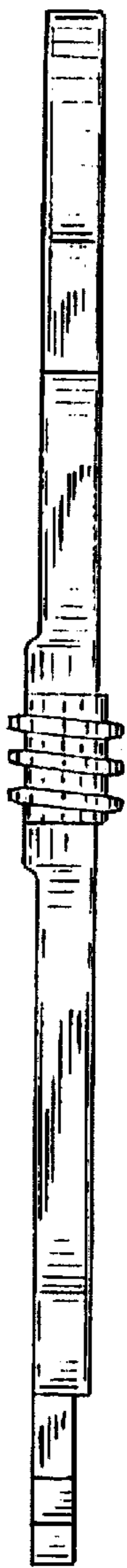


FIG. 5

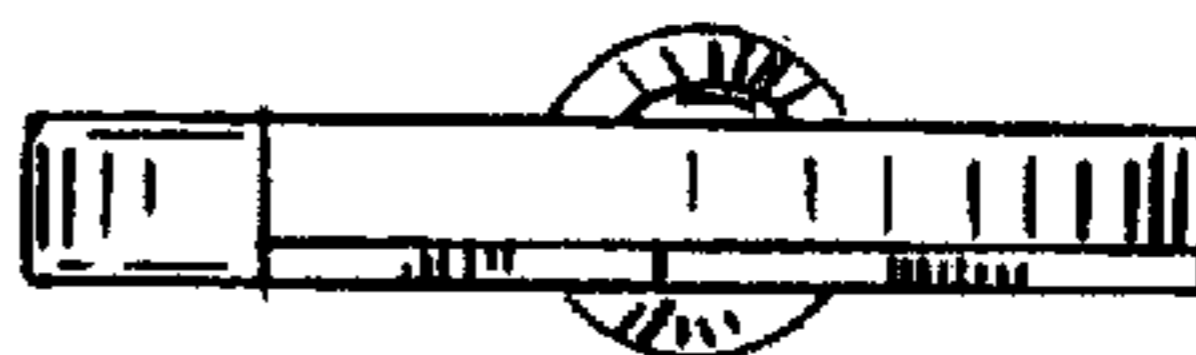


FIG. 6

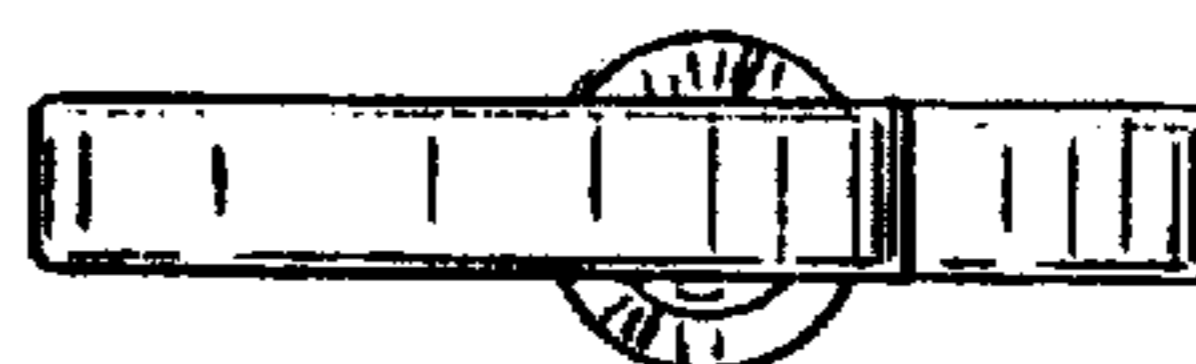


FIG. 7

UNITED STATES PATENT AND TRADEMARK OFFICE  
CERTIFICATE OF CORRECTION

PATENT NO. : D 385,165  
DATED : October 21, 1997  
INVENTOR(S) : Suksi

It is certified that error appears in the above-identified patent and that said Letters Patent is hereby corrected as shown below:

OTHER ((Including Author, Title, Date, Pertinent Pages, etc.)

**COLLINS INDUSTRIES INTERNATIONAL, INC., All you need is "Li'l Swede", On Sale Brochure, 1 year prior to January 18, 1996.**

Signed and Sealed this  
Fifth Day of December, 2000

Attest:



Q. TODD DICKINSON

Attesting Officer

Director of Patents and Trademarks