

US00D385158S

United States Patent [19]
Rausch

[11] **Patent Number: Des. 385,158**
[45] **Date of Patent: **Oct. 21, 1997**

[54] **WATER COOLER LID**
[75] **Inventor: Kevin Rausch, Wooster, Ohio**
[73] **Assignee: Rubbermaid Specialty Products Inc.,
Wooster, Ohio**
[**] **Term: 14 Years**
[21] **Appl. No.: 55,360**
[22] **Filed: Jun. 4, 1996**
[51] **LOC (6) Cl. 07-01**
[52] **U.S. Cl. D7/608; D7/701**
[58] **Field of Search D7/605-608, 300,
D7/305, 312, 313, 550, 553, 555, 701,
707, 708; 211/14, 74; 62/457.1, 457.2,
457.7; 215/12.1, 12.2, 13.1; 220/412, 411,
507; 248/346.11**

1,156,723 10/1915 Thomas 220/411
3,311,225 3/1967 Kidd 211/14 X
5,277,328 1/1994 Tocco D7/608 X

Primary Examiner—Sandra L. Morris
Attorney, Agent, or Firm—Richard B. O'Planick; Lisa B. Riedesel

[57] **CLAIM**

The ornamental design for a water cooler lid, as shown and described.

DESCRIPTION

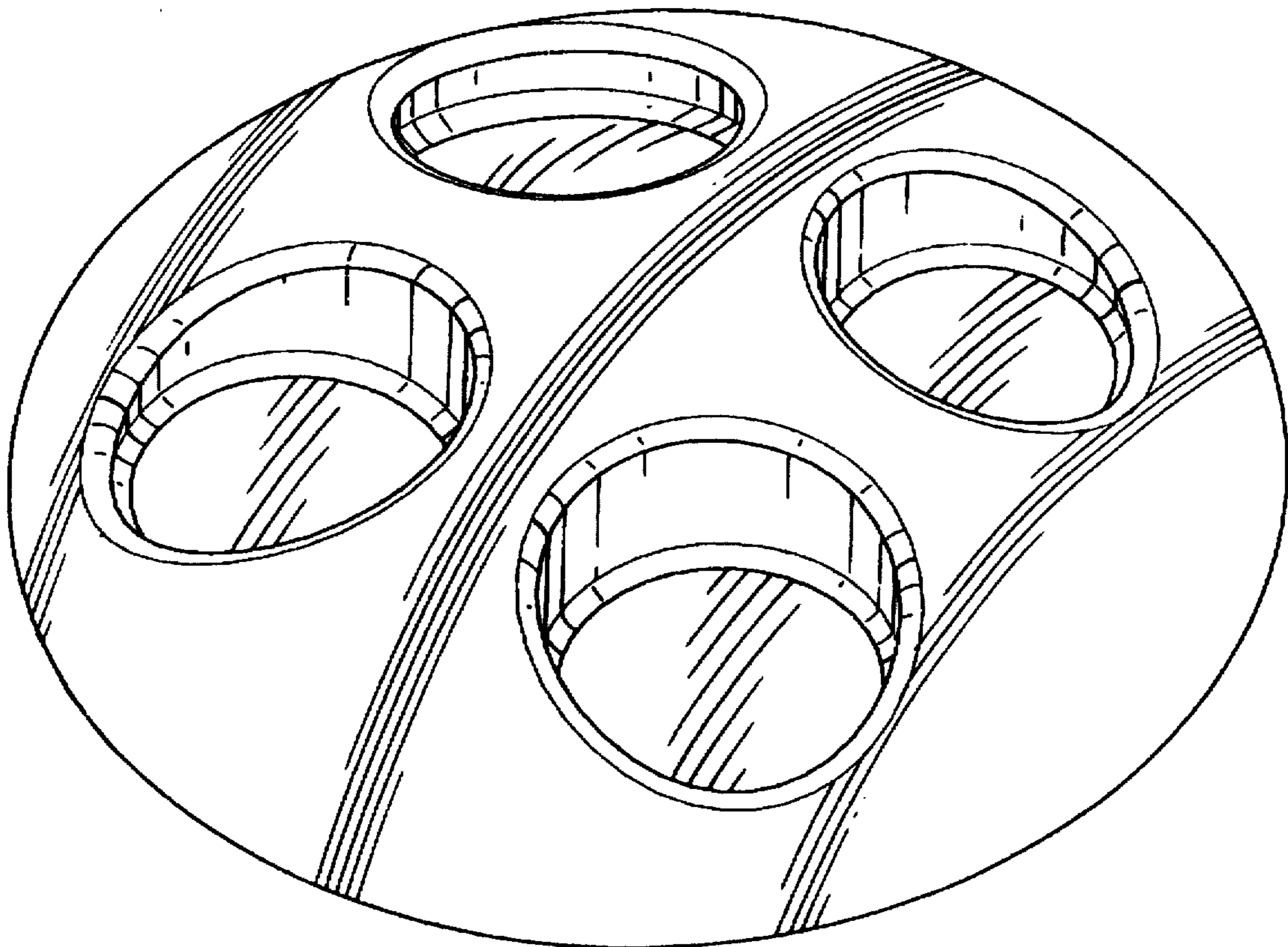
FIG. 1 is a top right front perspective view of a water cooler lid showing my new design;
FIG. 2 is a rear elevational view thereof;
FIG. 3 is a front elevational view thereof;
FIG. 4 is a left side elevational view thereof; the right side elevational view being a mirror image; and,
FIG. 5 is a top plan view thereof.

[56] **References Cited**

U.S. PATENT DOCUMENTS

692,109 1/1902 Boniface 220/507 X

1 Claim, 3 Drawing Sheets



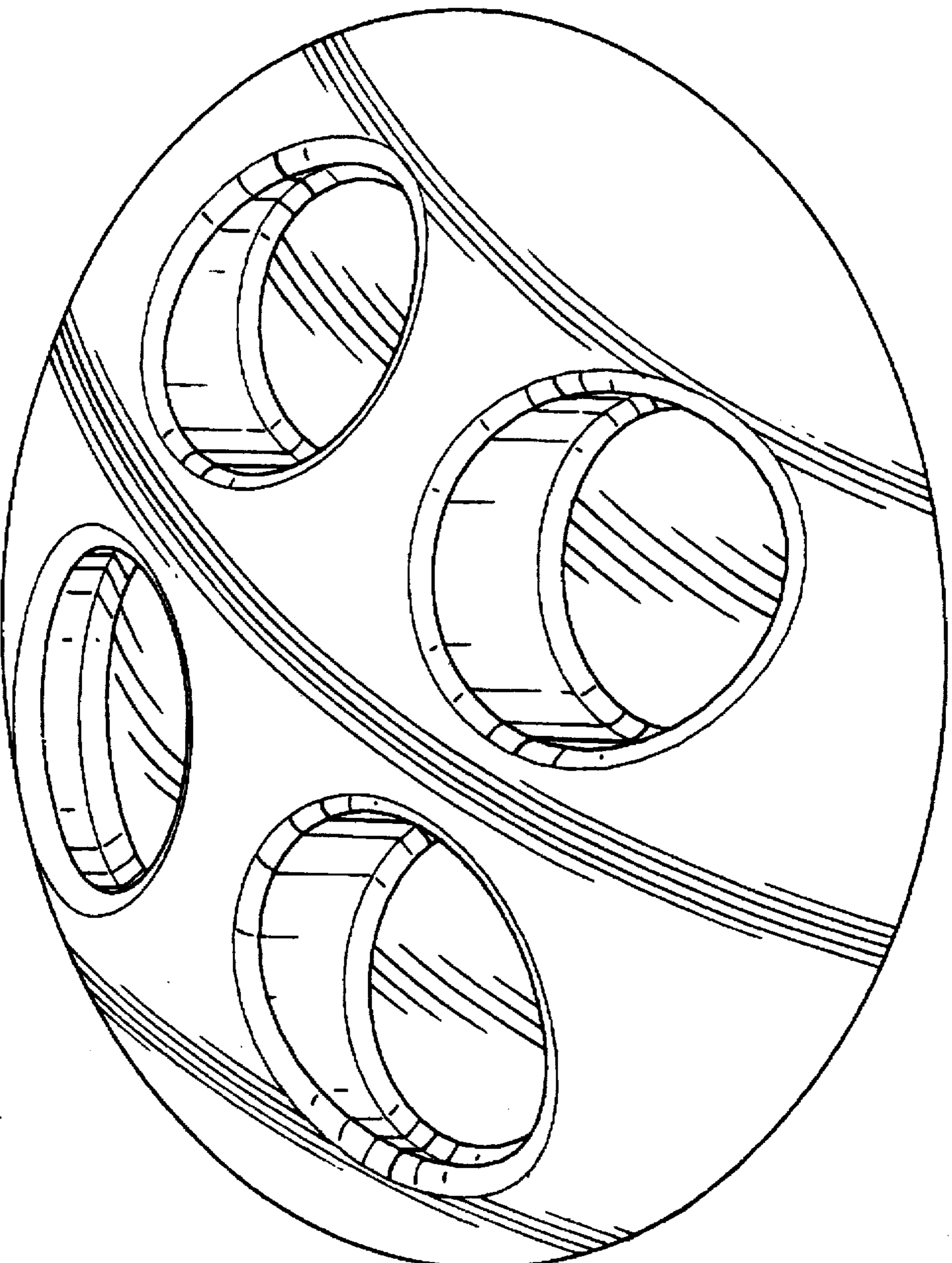


FIG. 1

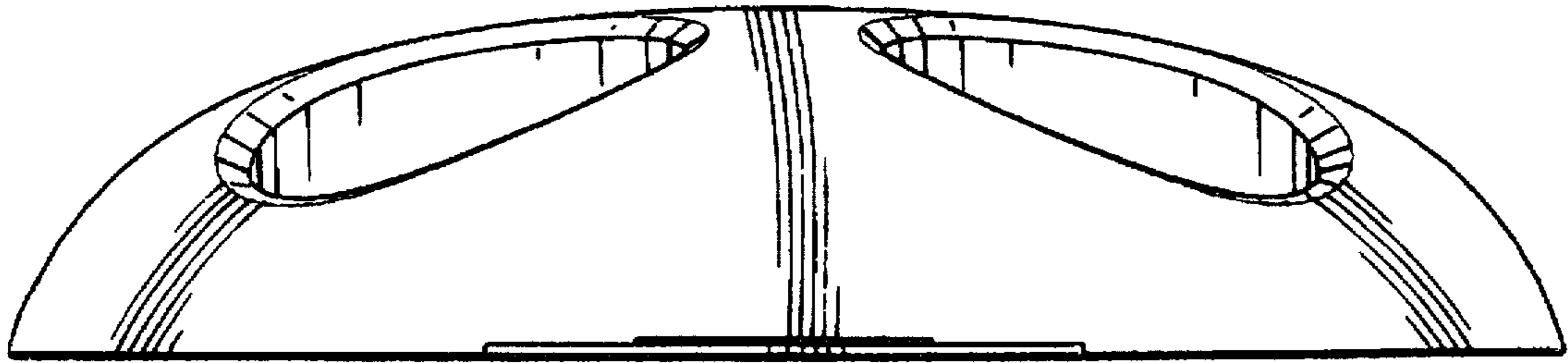


FIG. 2

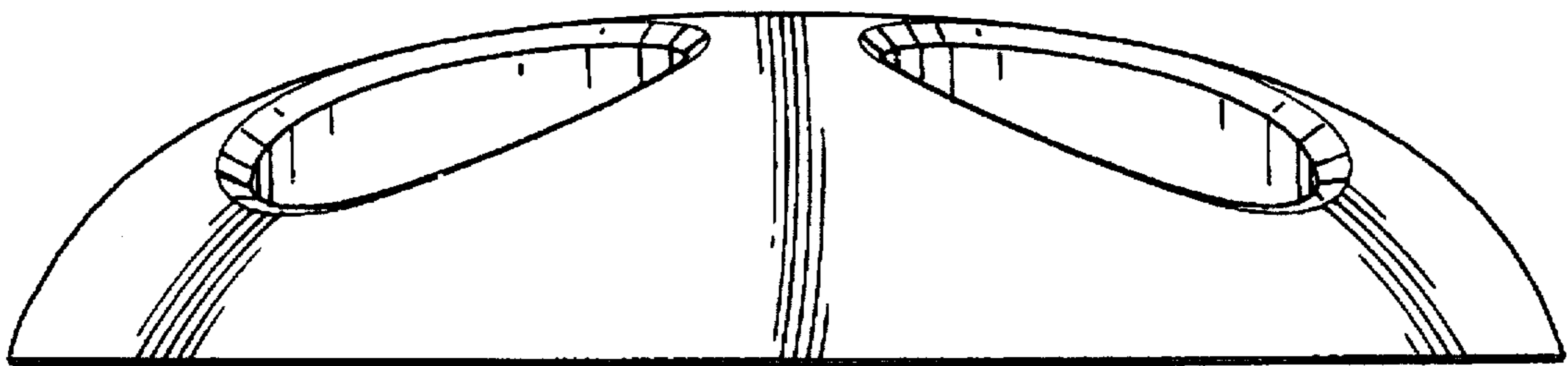


FIG. 3

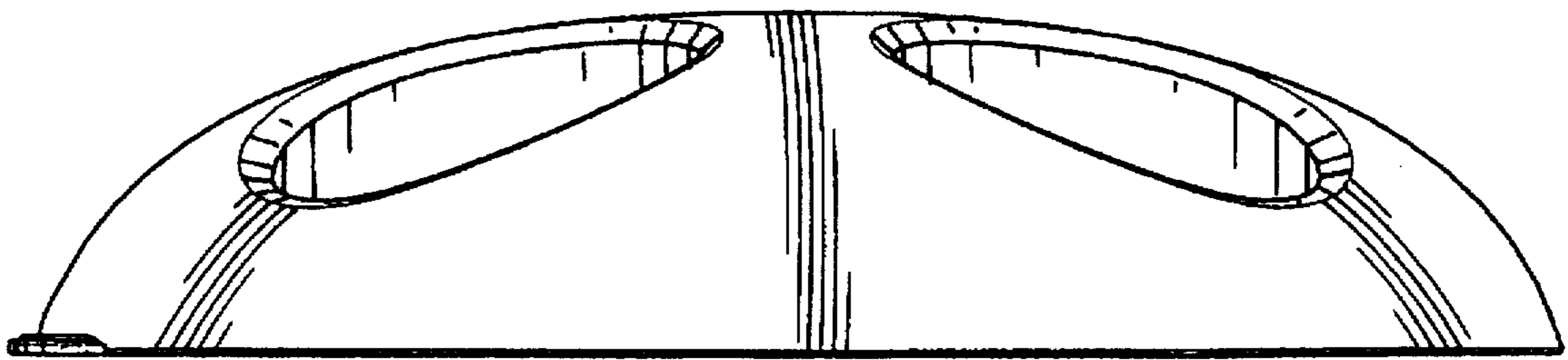


FIG. 4

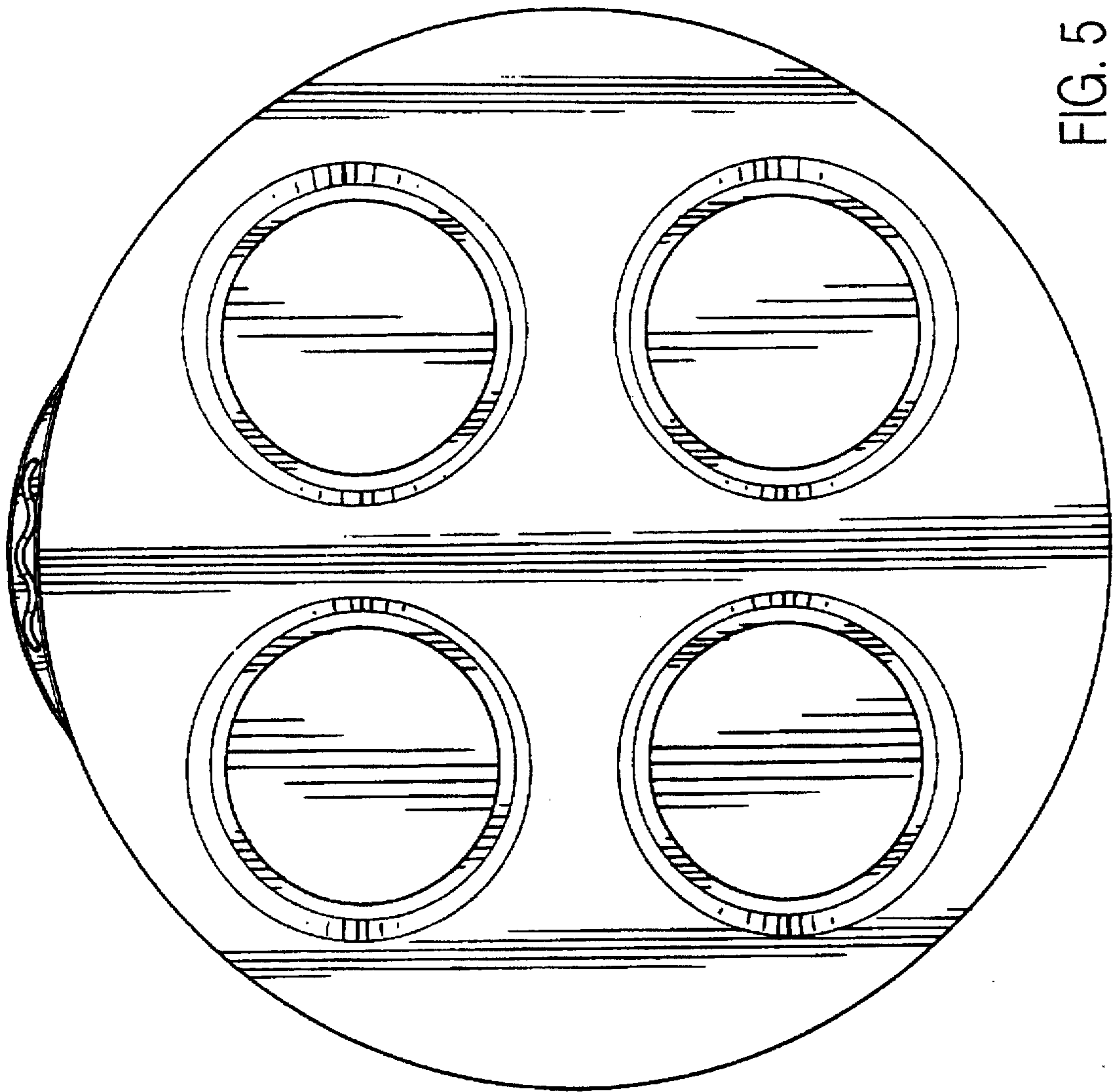


FIG. 5