

US00D385153S

# United States Patent [19]

Usbeck

[11] Patent Number: Des. 385,153

[45] Date of Patent: \*\*Oct. 21, 1997

[54] **HANDLE INSERT FOR KITCHEN UTENSILS**

[75] Inventor: Friedrich Wilhelm Usbeck, Marburg, Germany

[73] Assignee: Monopolwerk Usbeck & Soehne, GmbH & Co., Marburg/Lahn, Germany

[\*\*] Term: 14 Years

[21] Appl. No.: 54,052

[22] Filed: May 6, 1996

[30] Foreign Application Priority Data

Nov. 7, 1995 [WO] WIPO ..... 034639

[51] LOC (6) CL ..... 07-99

[52] U.S. Cl. .... D7/401.2; D7/375

[58] Field of Search ..... D8/DIG. 4, DIG. 5, D8/DIG. 7, 307, 317, 320, 303, 107; D7/393, 395, 664, 691, 649, 401.2; 16/110 R, 110 A, 114 A; 220/912; 30/322

[56] References Cited

U.S. PATENT DOCUMENTS

- D. 149,842 6/1948 Roblin ..... D8/DIG. 4
- D. 152,961 3/1949 Grundstrom ..... D7/395
- D. 153,817 5/1949 Mortrude ..... D8/DIG. 4
- D. 191,877 12/1961 Hvale ..... D7/395
- D. 232,690 9/1974 Aries ..... D7/361
- D. 278,402 4/1985 Reichard ..... D7/691
- D. 294,323 2/1988 Fern ..... D7/691
- D. 295,134 4/1988 Hahn ..... D7/401.2 X
- 1,965,354 7/1934 Patock ..... 16/114 A

Primary Examiner—M. N. Pandozzi  
Attorney, Agent, or Firm—Lowe, Price, LeBlanc & Becker

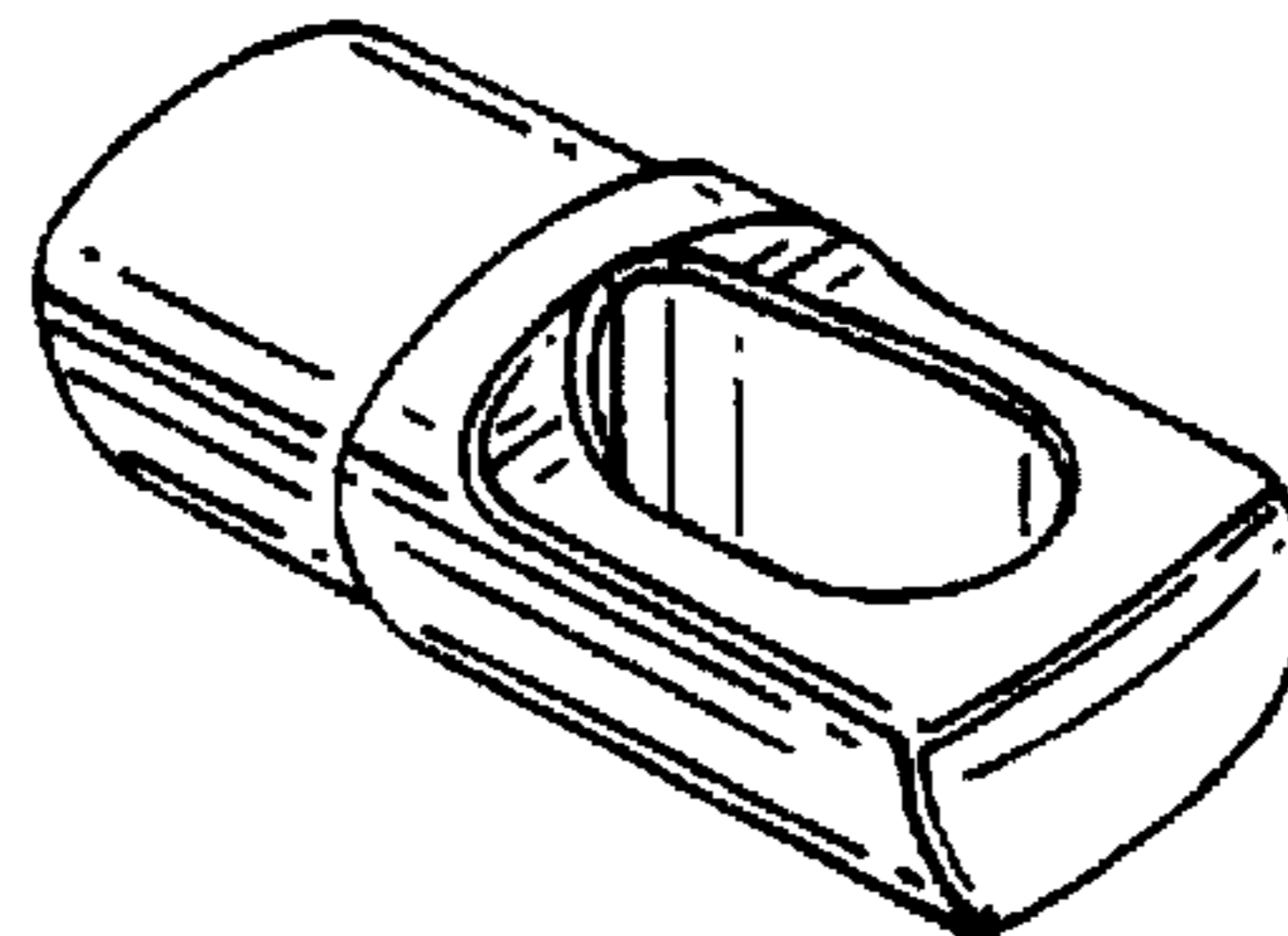
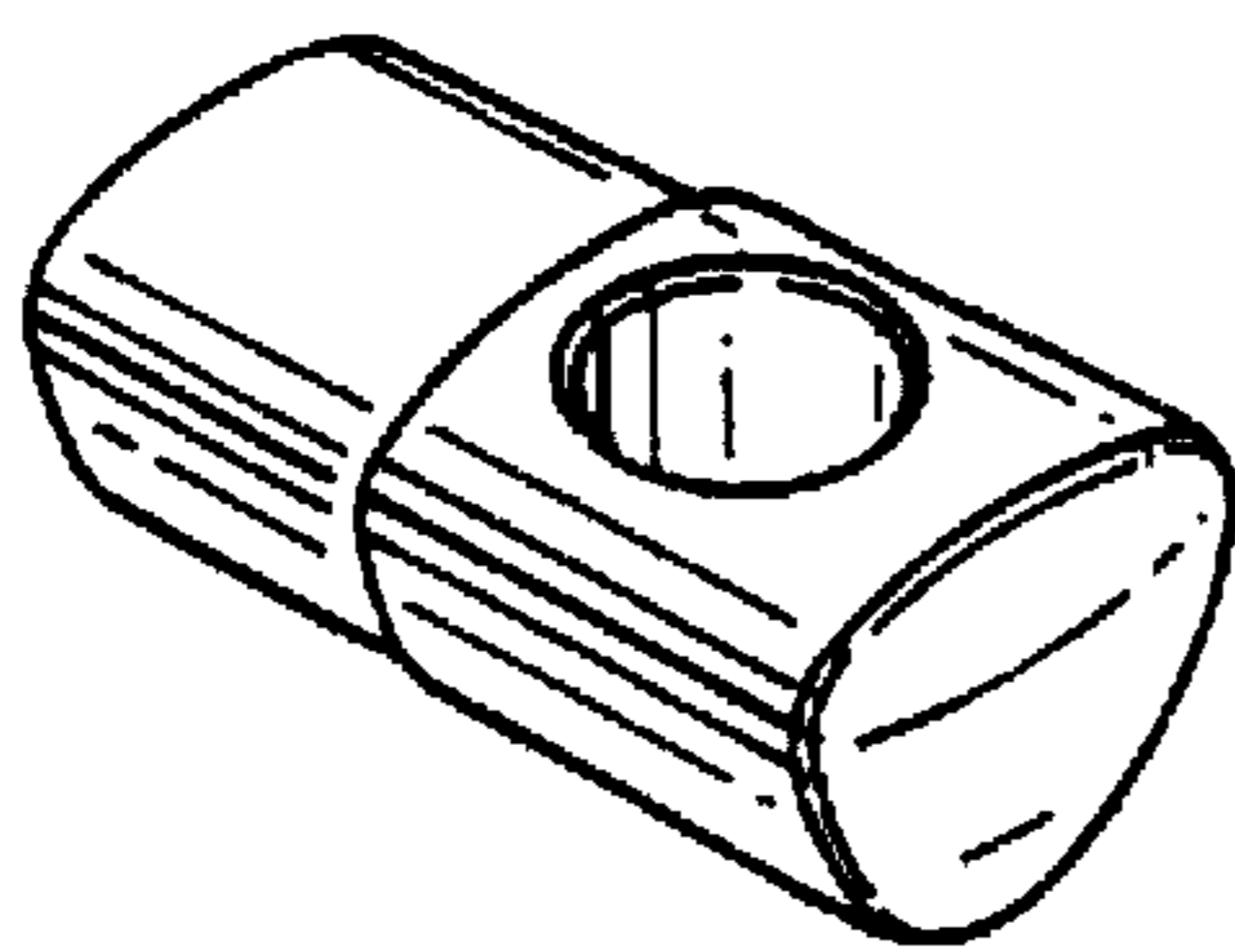
[57] CLAIM

The ornamental design for a handle insert for kitchen utensils, as shown and described.

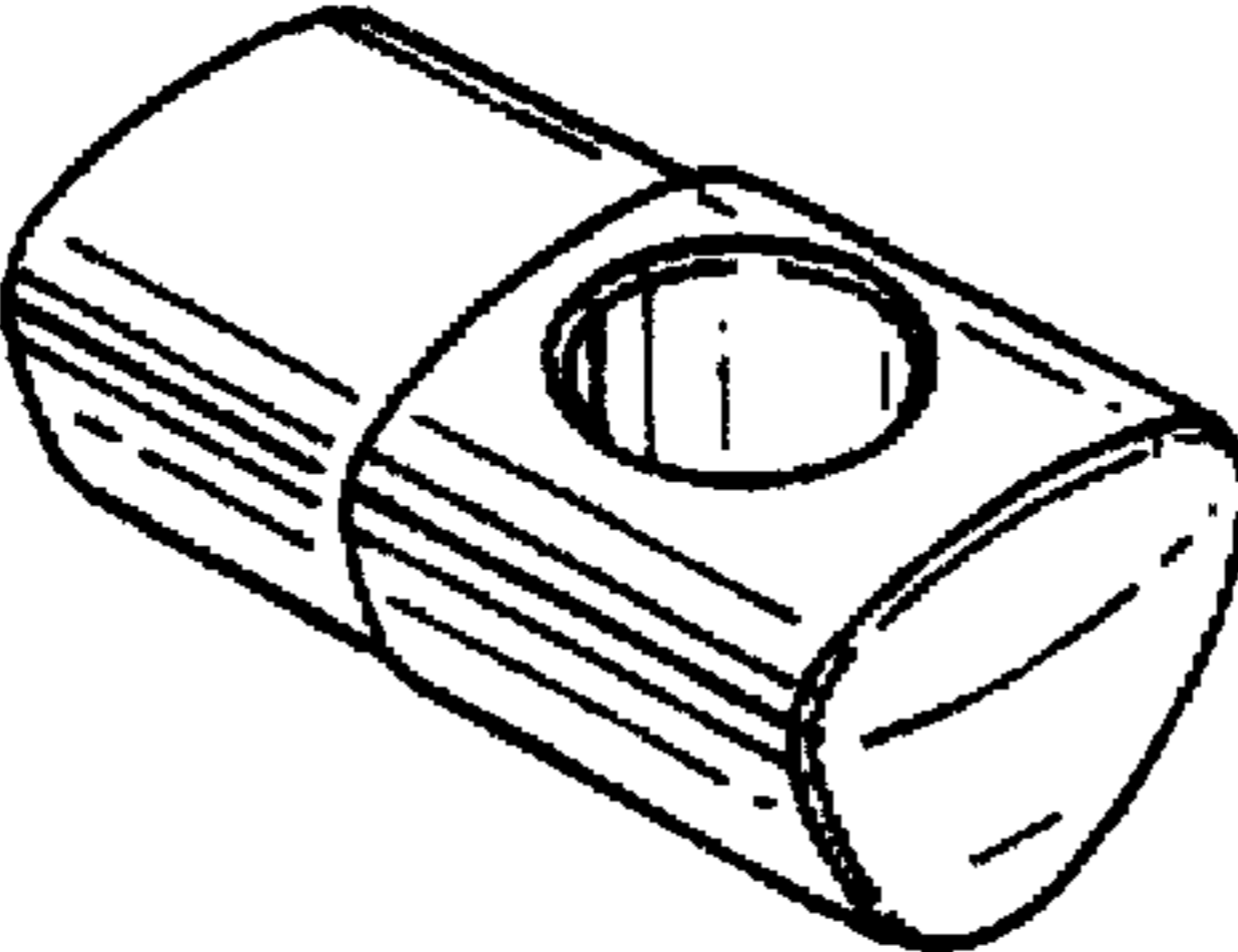
DESCRIPTION

FIG. 1 is a front perspective view of a handle insert for kitchen utensils showing my new design;  
 FIG. 2 is a rear view thereof;  
 FIG. 3 is a bottom view thereof;  
 FIG. 4 is a left side view thereof;  
 FIG. 5 is a front perspective view of a handle insert for kitchen utensils showing a second embodiment of my new design;  
 FIG. 6 is a rear view thereof;  
 FIG. 7 is a bottom view thereof;  
 FIG. 8 is a left side view thereof;  
 FIG. 9 is a front perspective view of a handle insert for kitchen utensils showing a third embodiment of my new design;  
 FIG. 10 is a rear view thereof;  
 FIG. 11 is a bottom view thereof;  
 FIG. 12 is a left side view thereof;  
 FIG. 13 is a front perspective view of a handle insert for kitchen utensils showing a fourth embodiment of my new design;  
 FIG. 14 is a rear view thereof;  
 FIG. 15 is a bottom view thereof; and,  
 FIG. 16 is a left side view thereof.

1 Claim, 4 Drawing Sheets



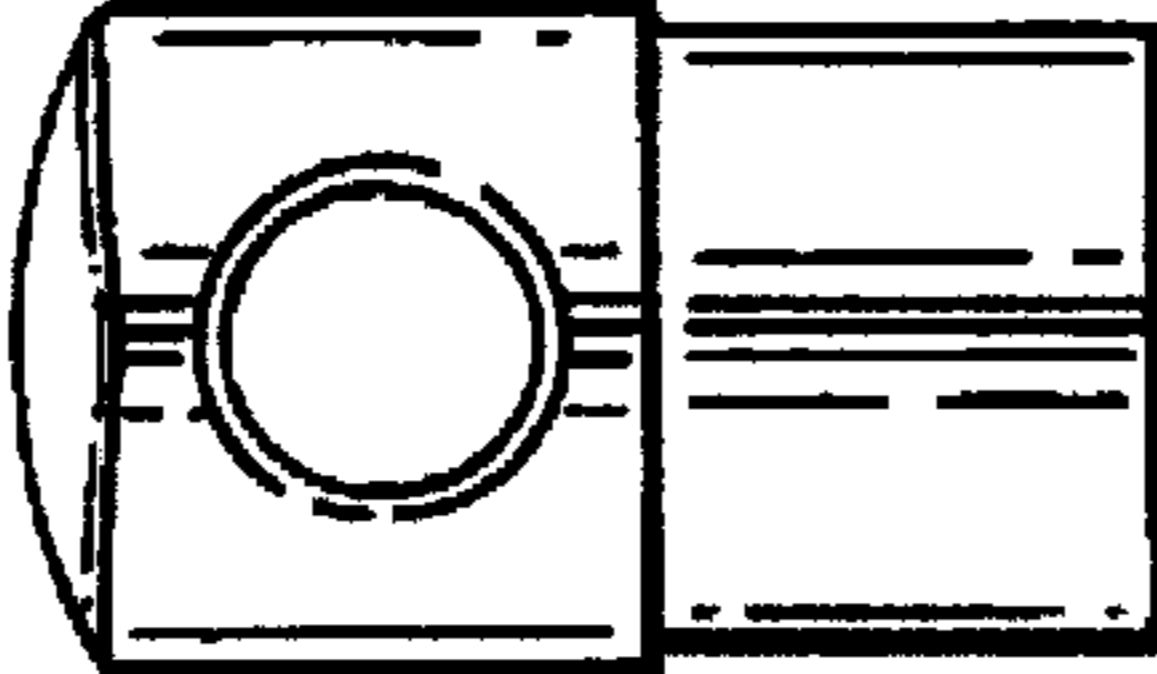
**Fig. 1**



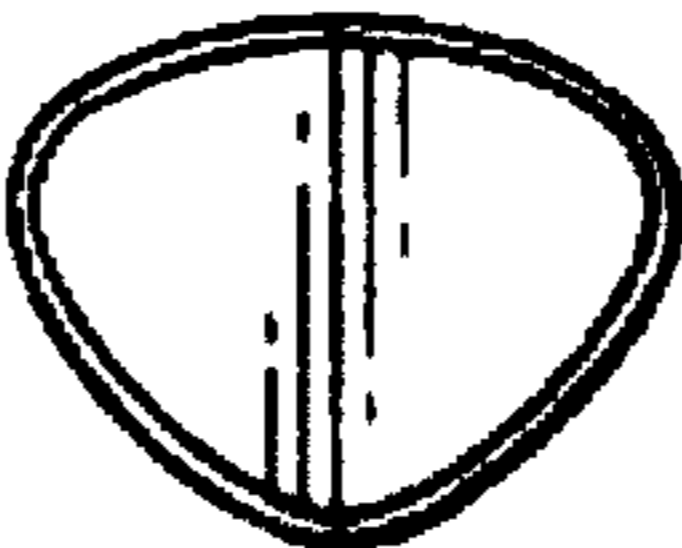
**Fig. 2**



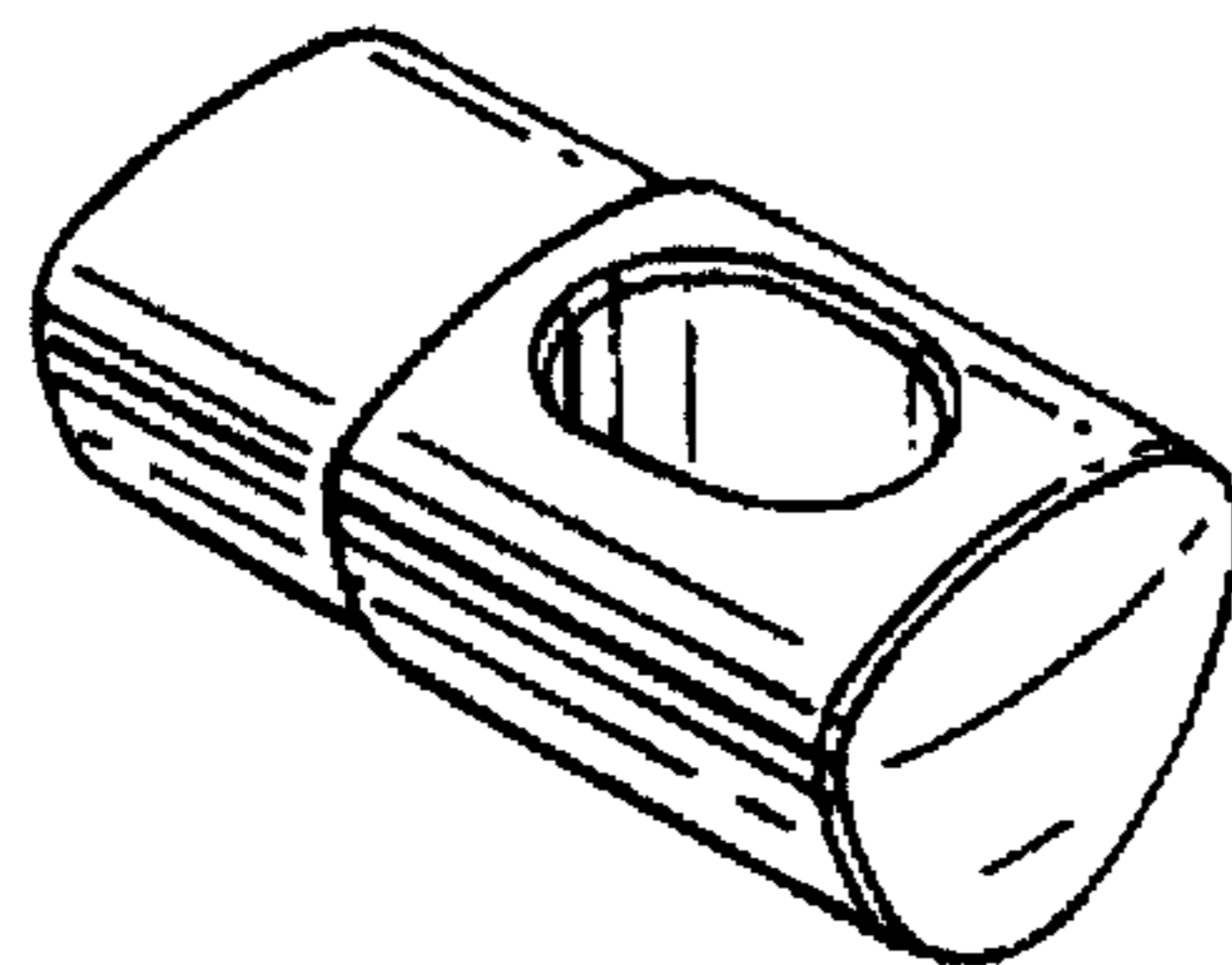
**Fig. 3**



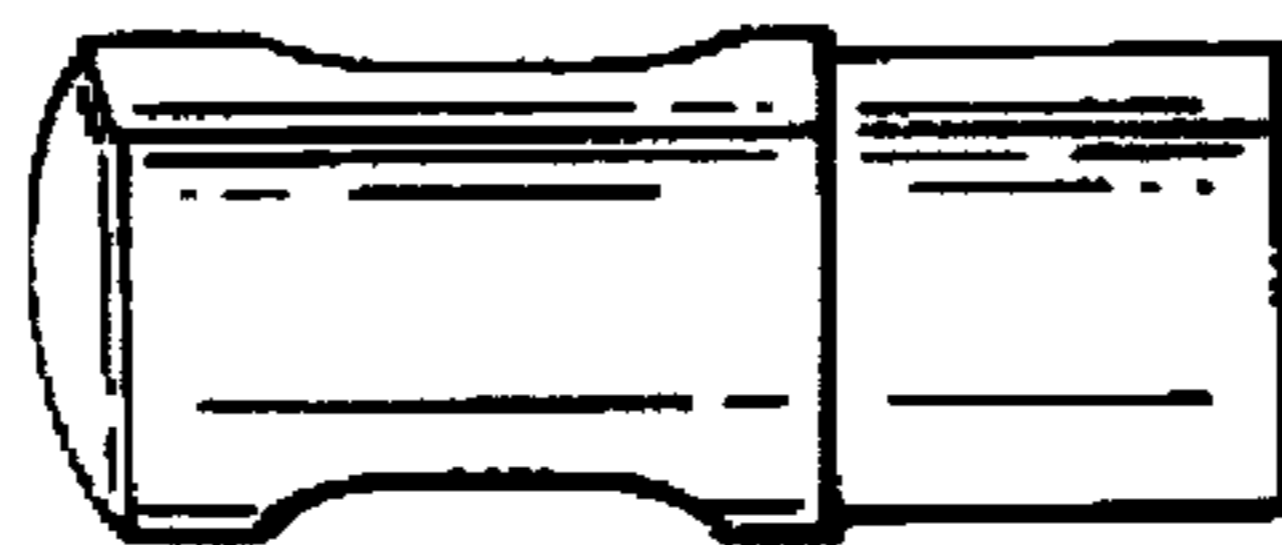
**Fig. 4**



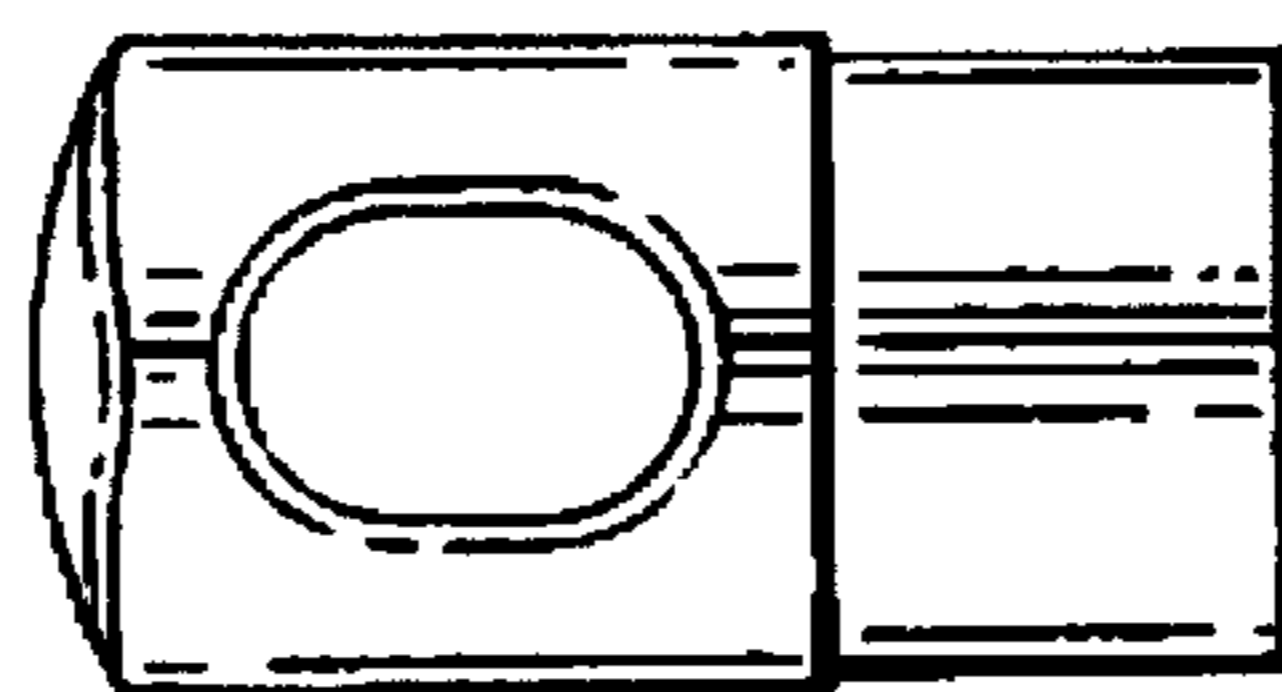
**Fig. 5**



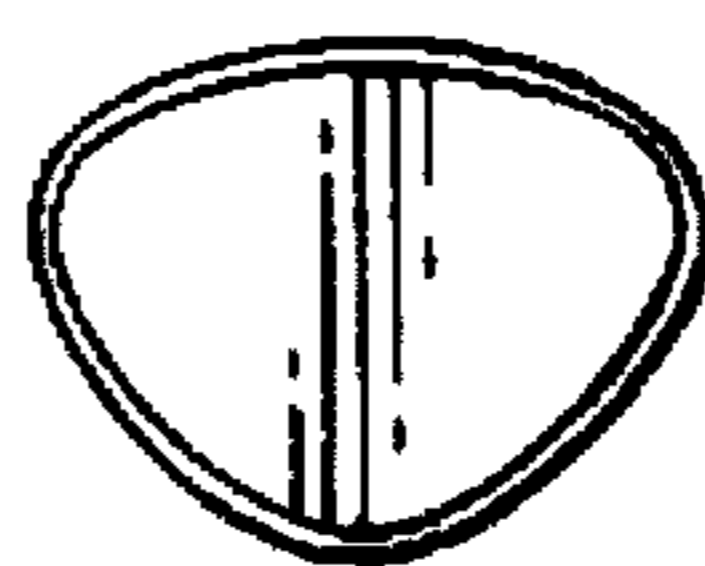
**Fig. 6**



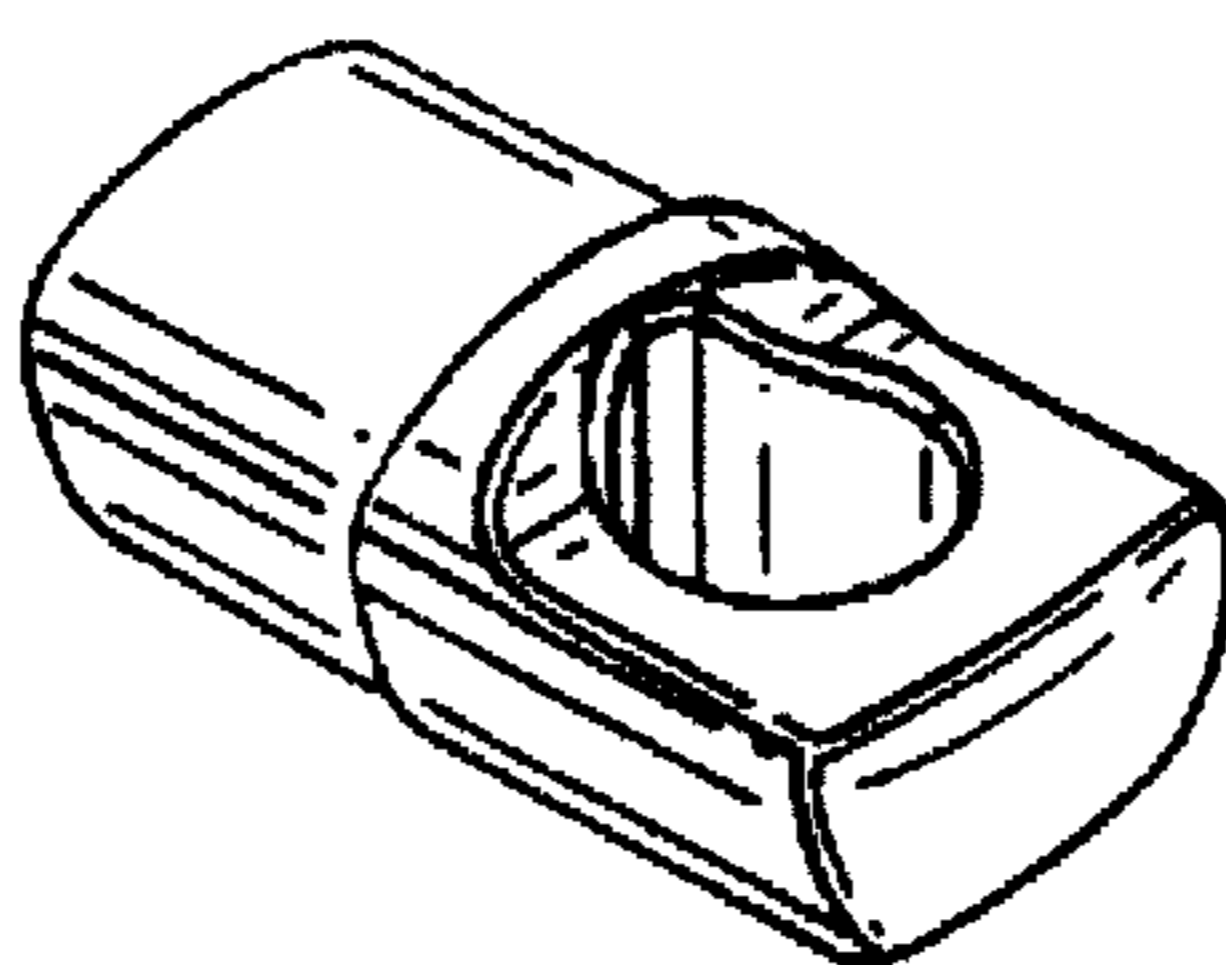
**Fig. 7**



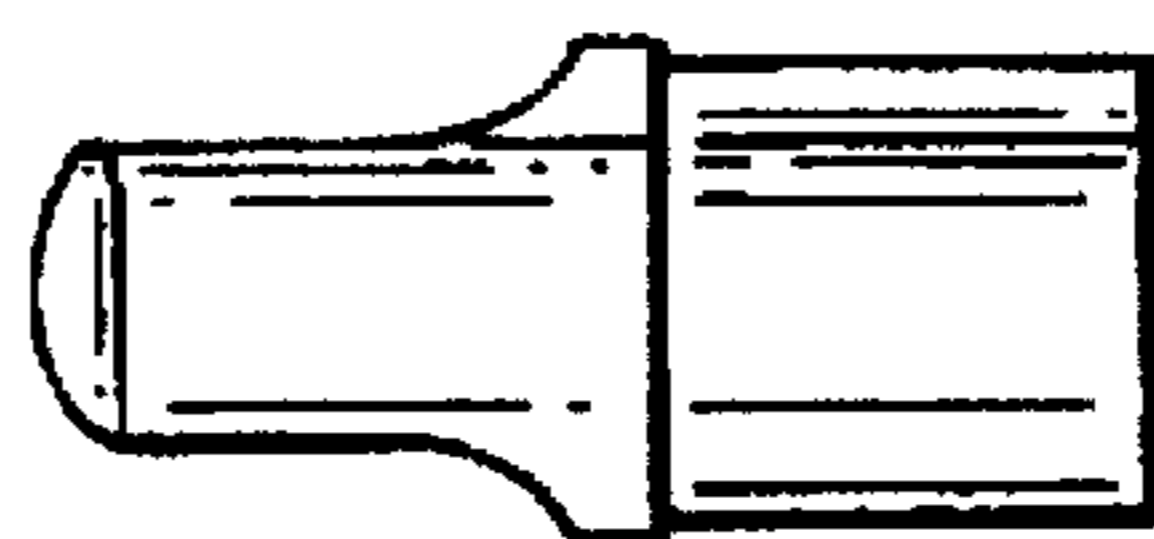
**Fig. 8**



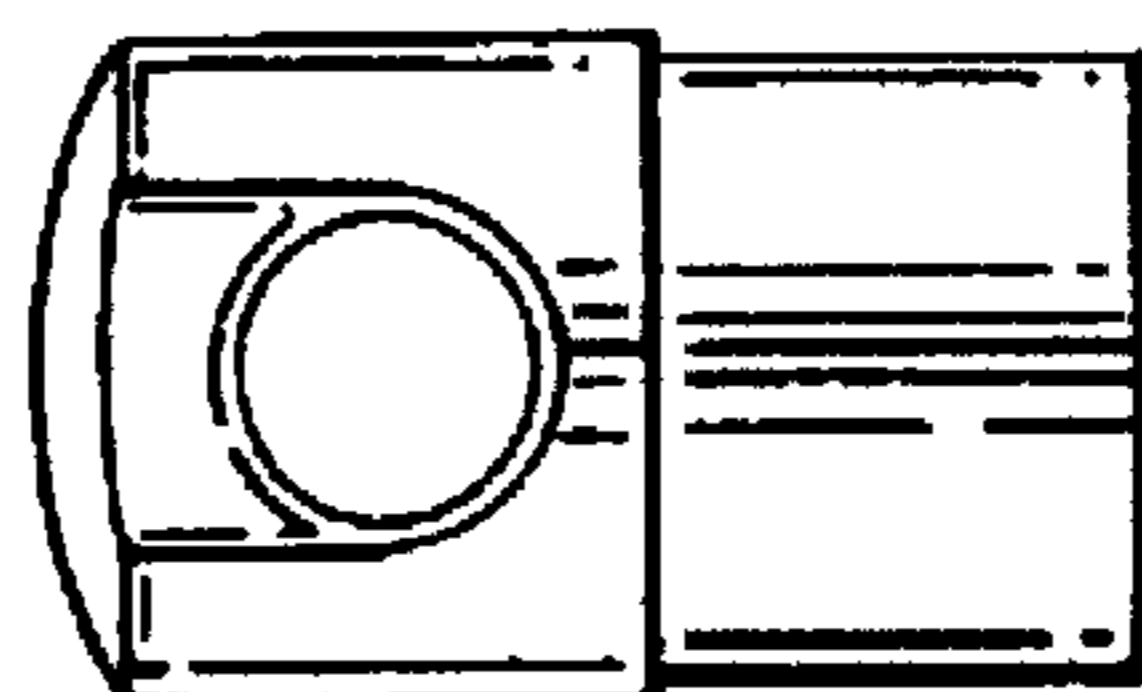
**Fig. 9**



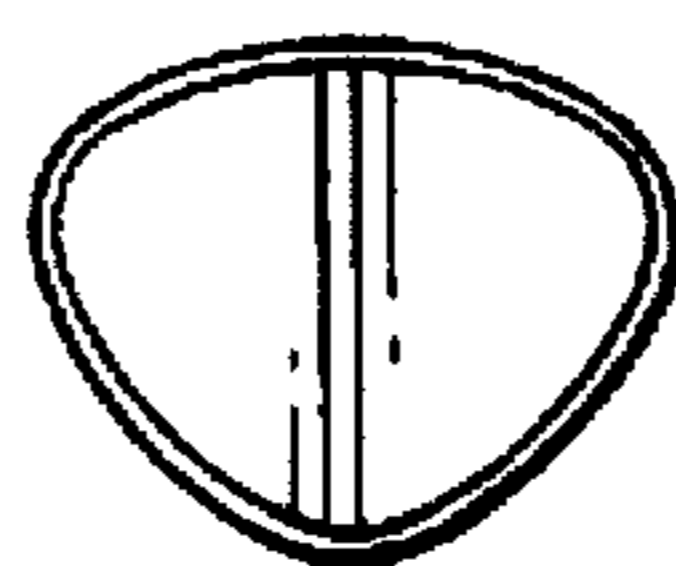
**Fig. 10**



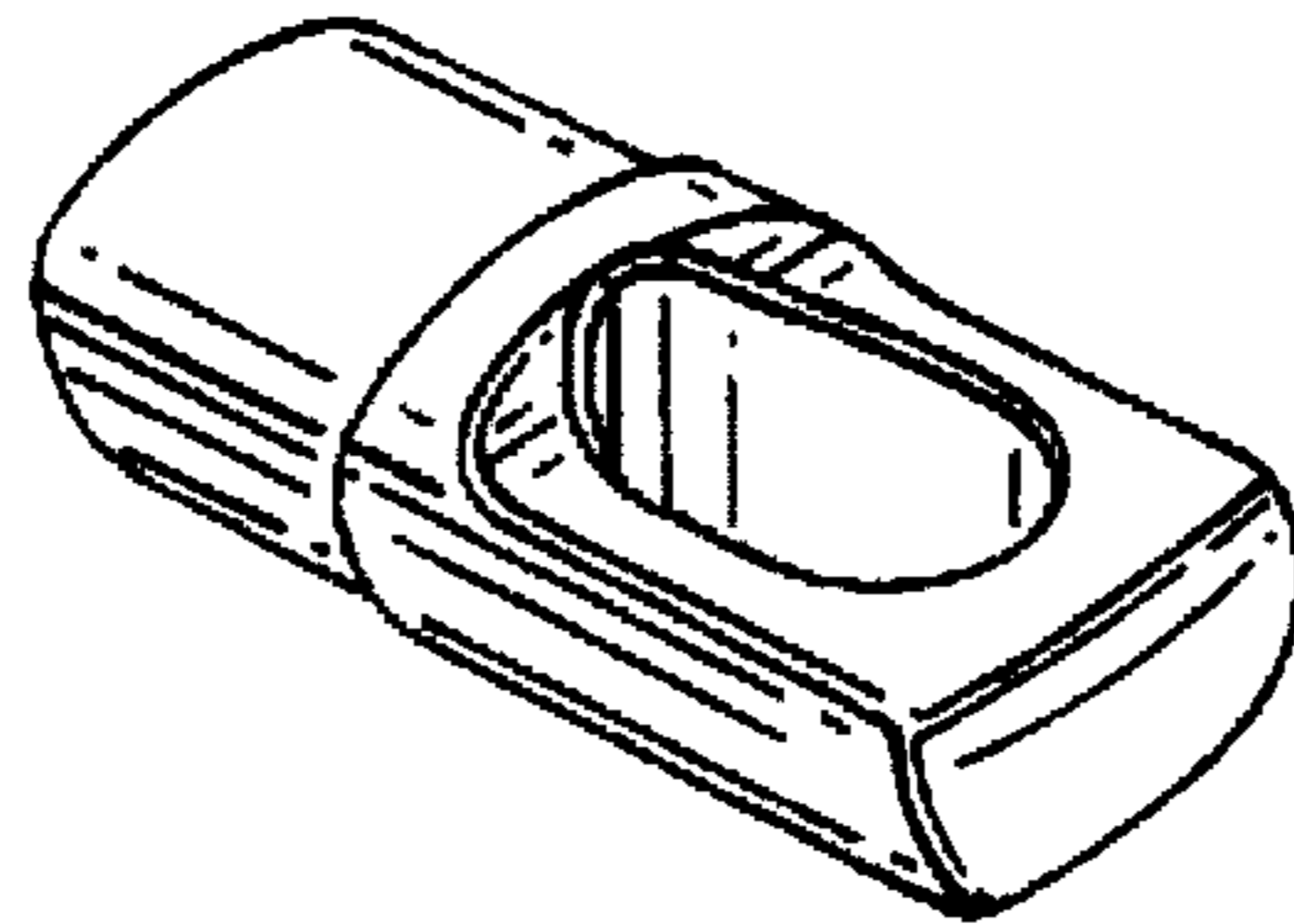
**Fig. 11**



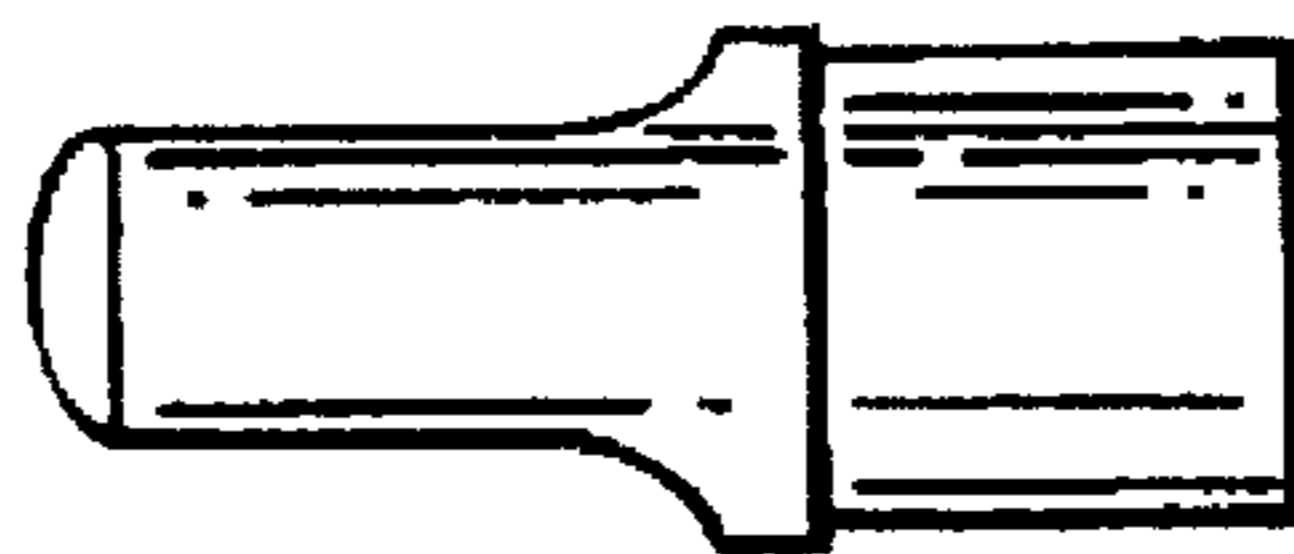
**Fig. 12**



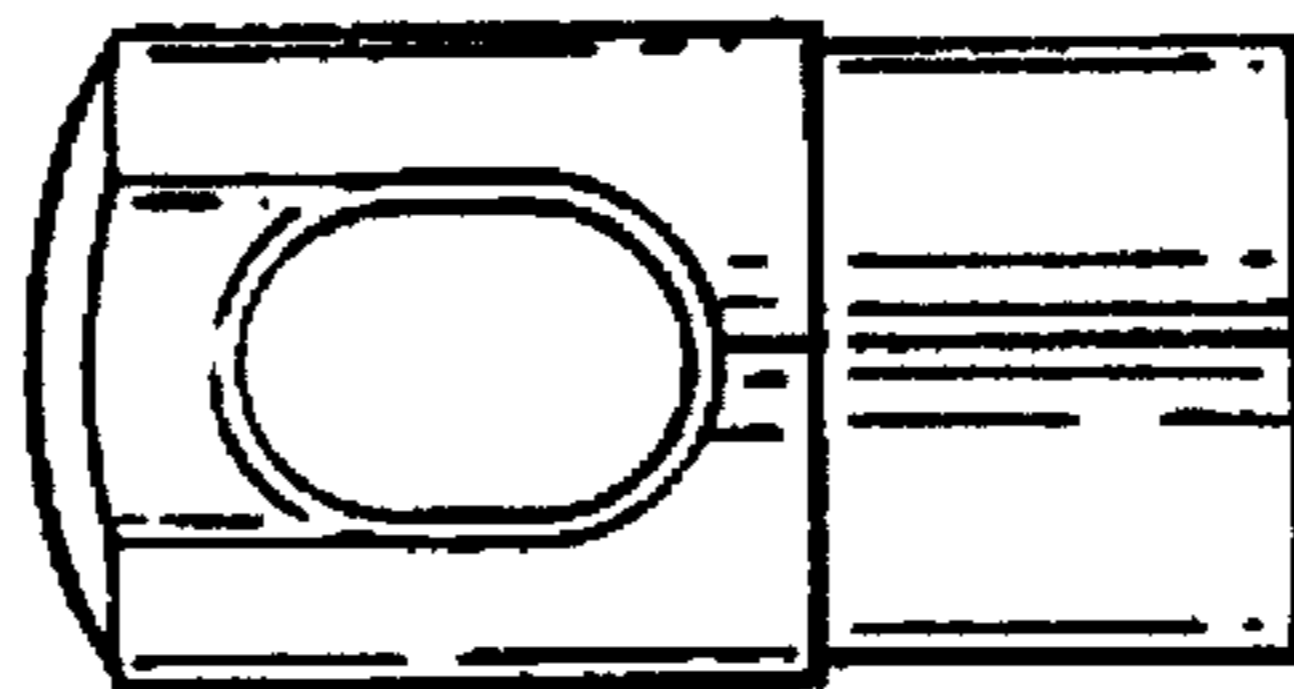
**Fig. 13**



**Fig. 14**



**Fig. 15**



**Fig. 16**

