

US00D385152S

United States Patent [19]
Rae

[11] **Patent Number: Des. 385,152**
[45] **Date of Patent: **Oct. 21, 1997**

[54] **COOKWARE LID**

[75] **Inventor: Robert Allan Rae, Kowloon, Hong Kong**
[73] **Assignee: Meyer Marketing Company Limited, Hong Kong**
[**] **Term: 14 Years**

[21] **Appl. No.: 54,907**
[22] **Filed: May 24, 1996**

[51] **LOC (6) Cl. 07-02**
[52] **U.S. Cl. D7/391**
[58] **Field of Search D7/354, 358, 360, D7/361, 391-394; 220/200, 213, 215, 912**

[56] **References Cited**

U.S. PATENT DOCUMENTS

D. 160,649 10/1950 Muller-Munk D7/391
D. 305,493 1/1990 Ryser D7/358 X
D. 324,624 3/1992 Gerlach D7/361

OTHER PUBLICATIONS

Anticipations a Ross-Simons Catalog; p. 25; T-Fal Cookware Lid top of page.

Primary Examiner—Caron D. Veynar
Attorney, Agent, or Firm—Wood, Herron & Evans

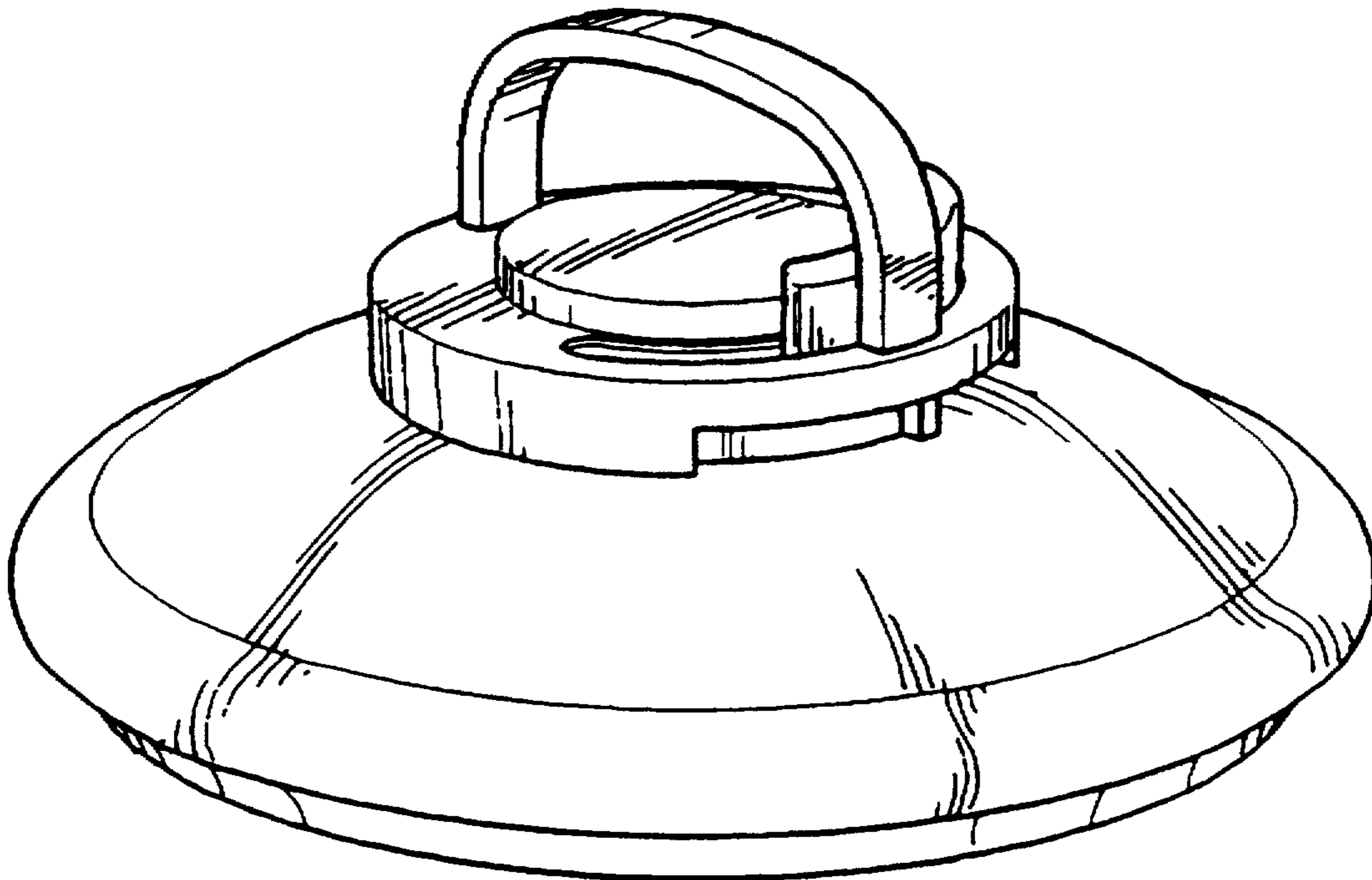
[57] **CLAIM**

The ornamental design for a cookware lid, as shown and described.

DESCRIPTION

FIG. 1 is a top plan view of a cookware lid showing my new design;
FIG. 2 is a left side elevational view thereof;
FIG. 3 is a front elevational view thereof;
FIG. 4 is a rear elevational view thereof;
FIG. 5 is a right side elevational view thereof;
FIG. 6 is a bottom plan view thereof; and,
FIG. 7 is a perspective view on an enlarged scale thereof.

1 Claim, 3 Drawing Sheets



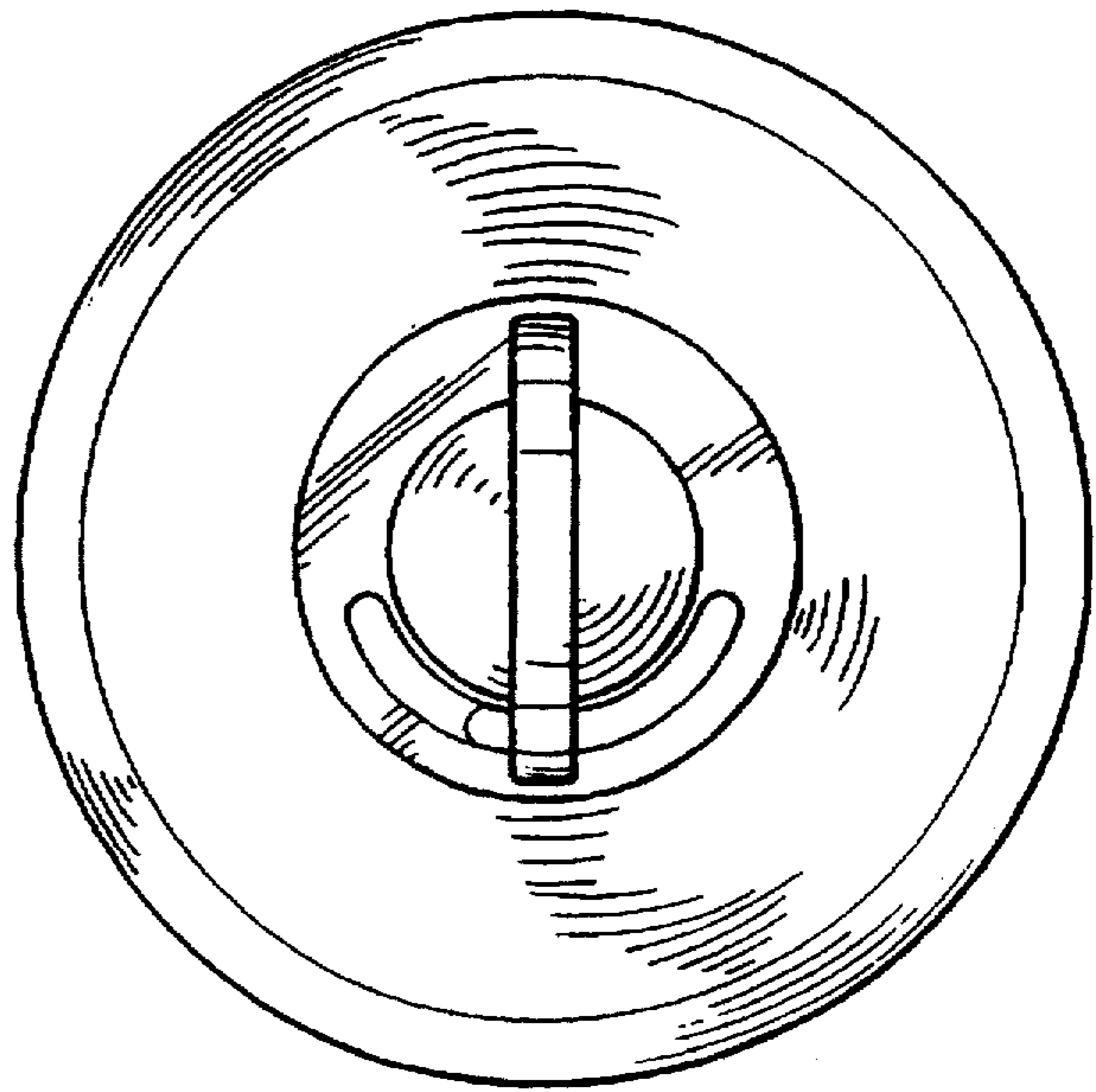


FIG. 1

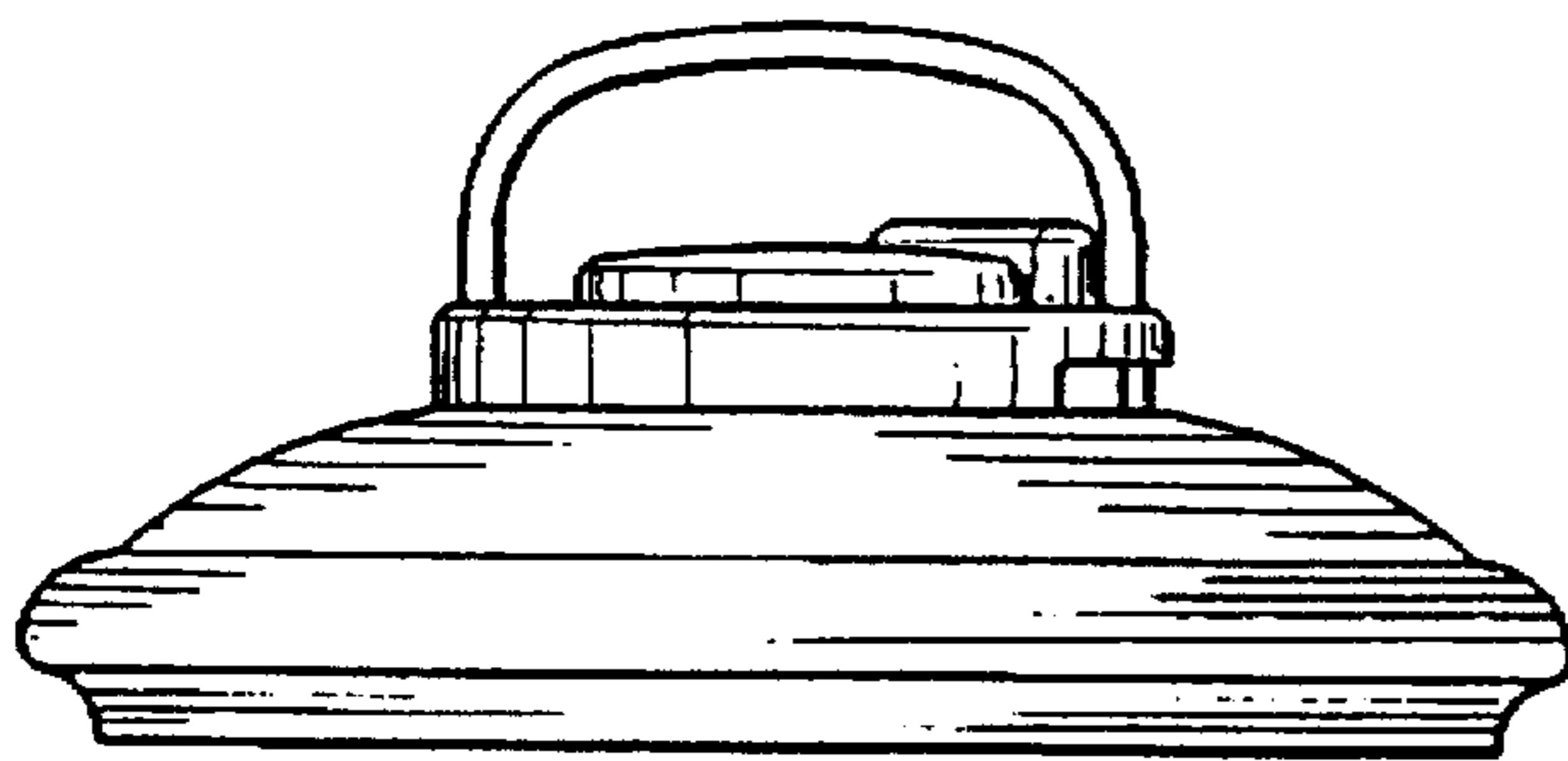


FIG. 2

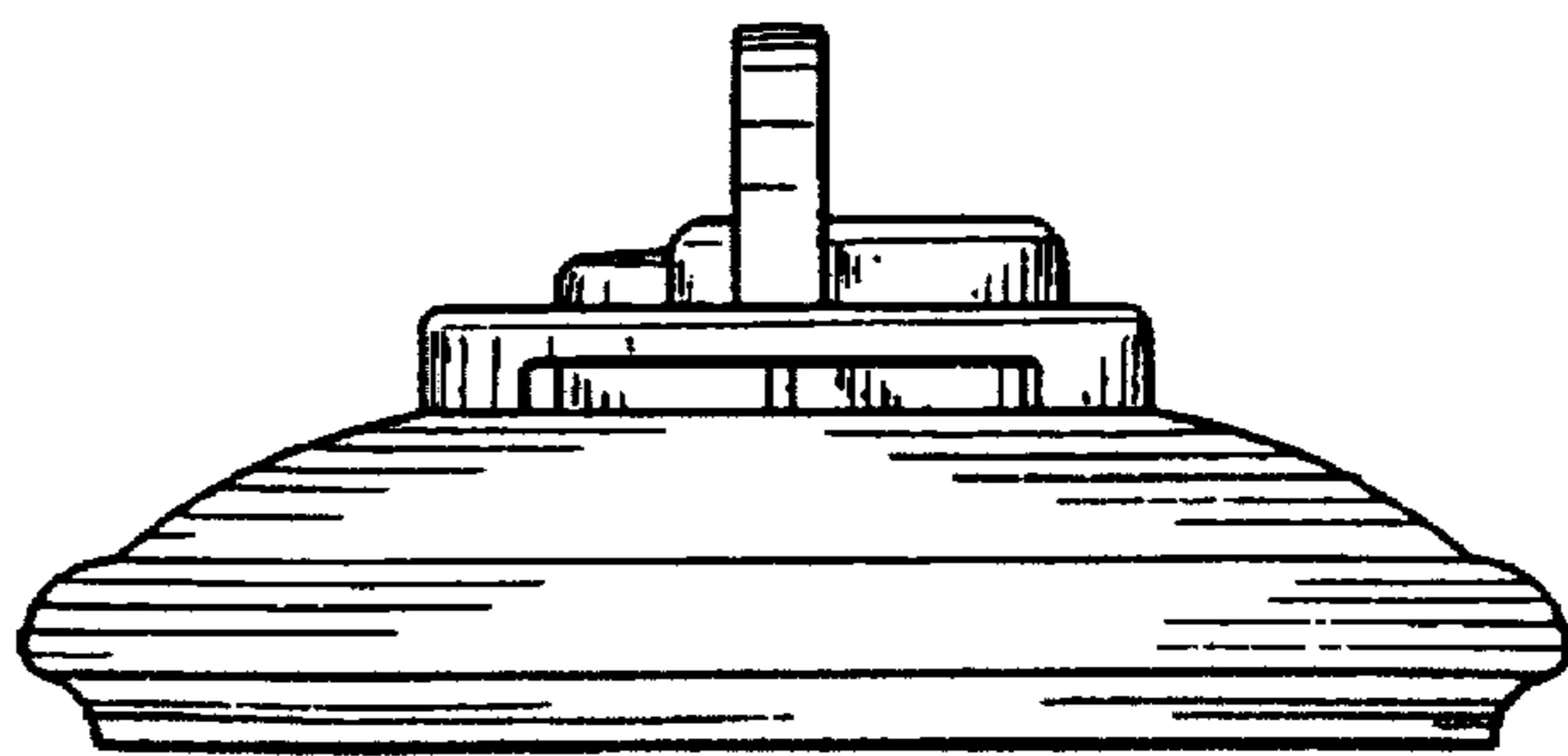


FIG. 3

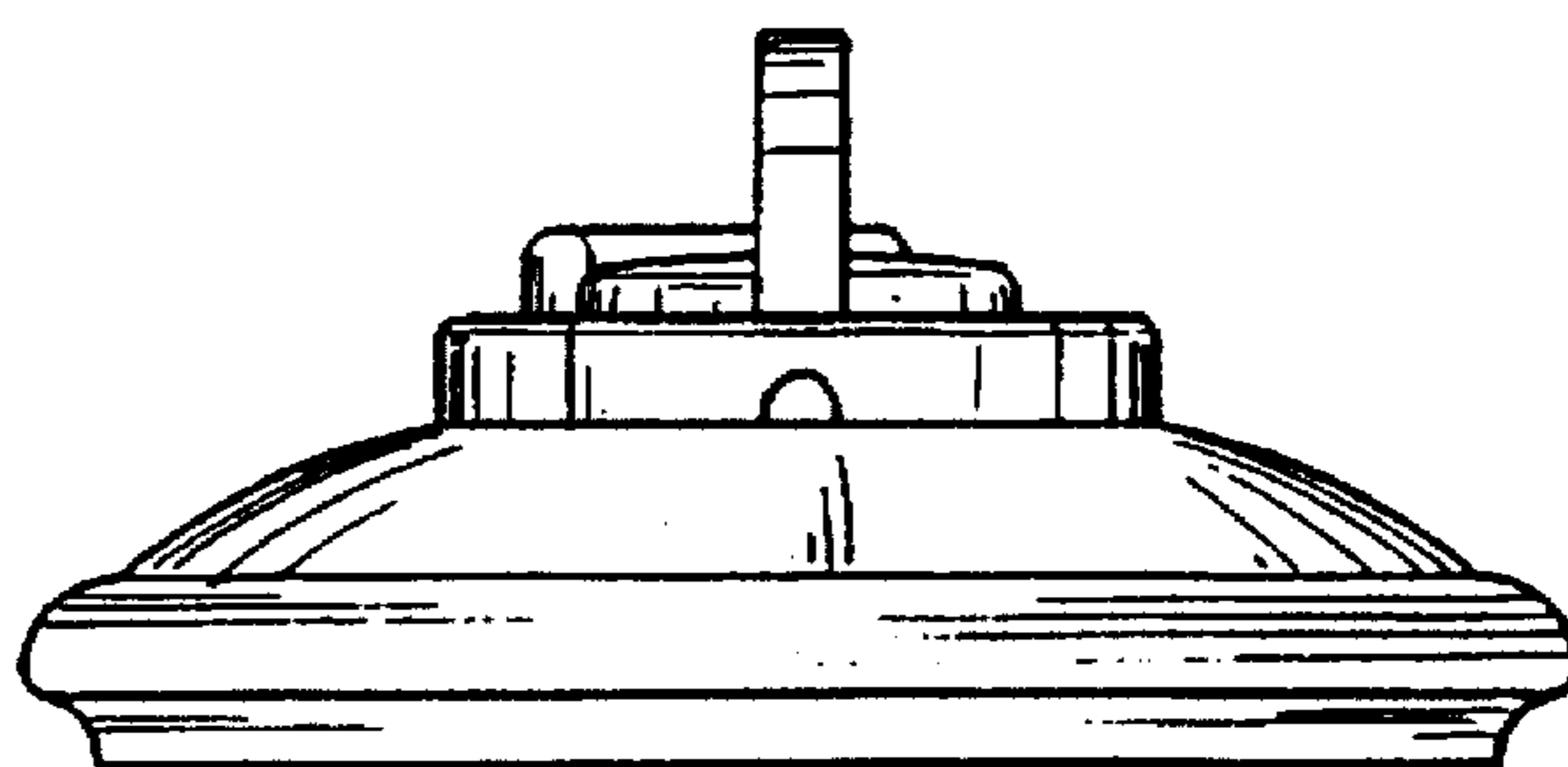


FIG. 4

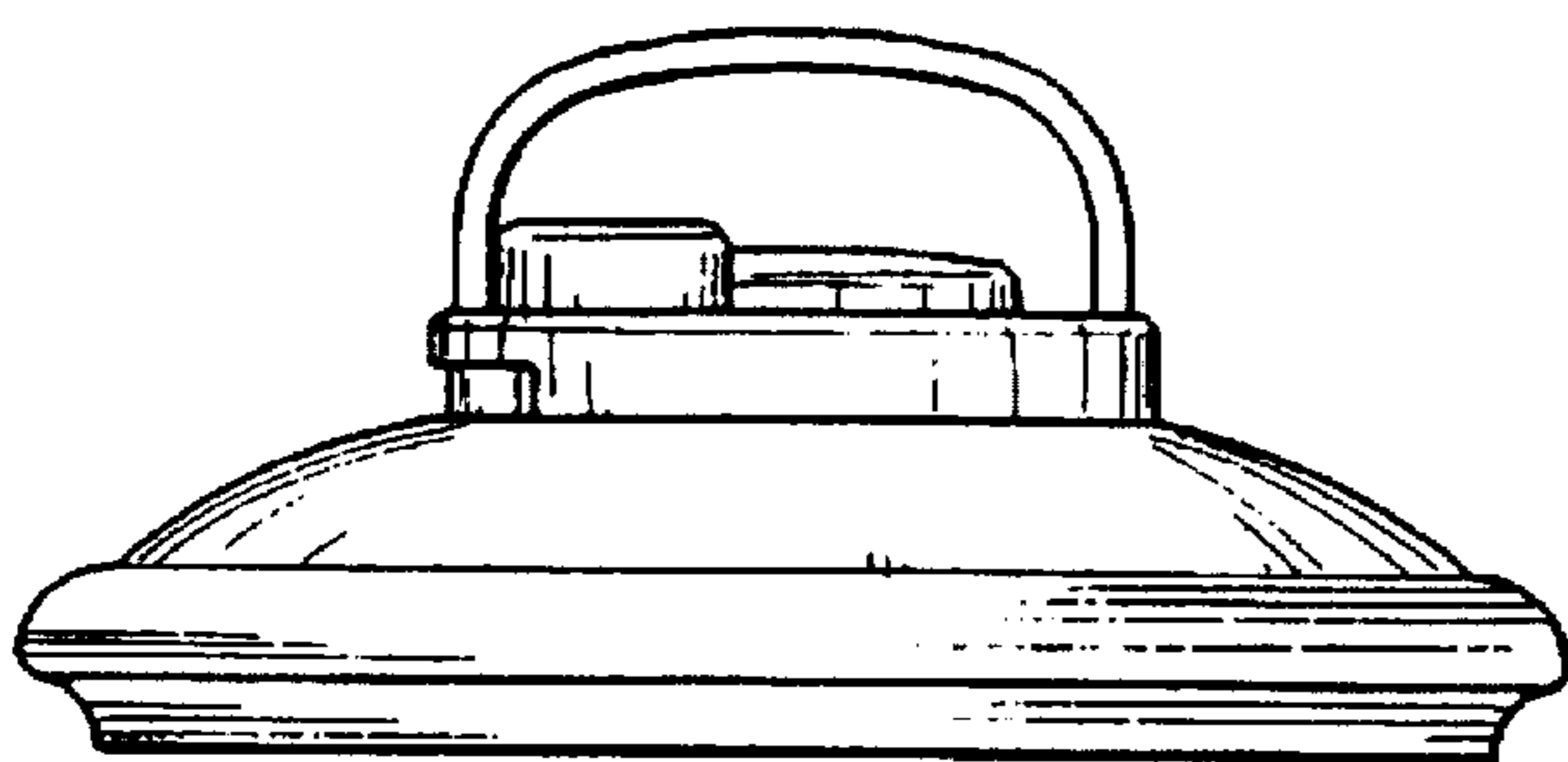


FIG. 5

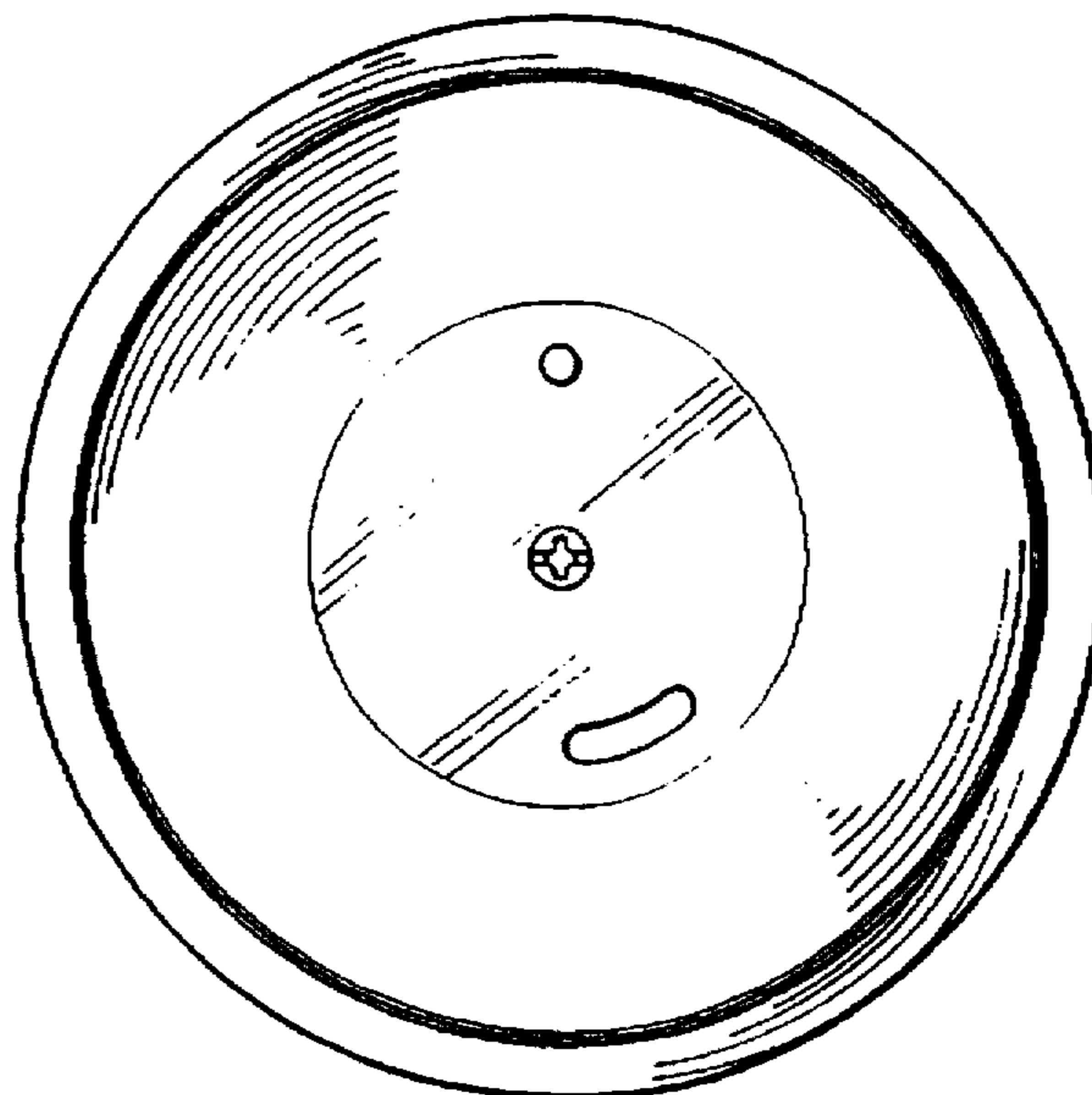


FIG. 6

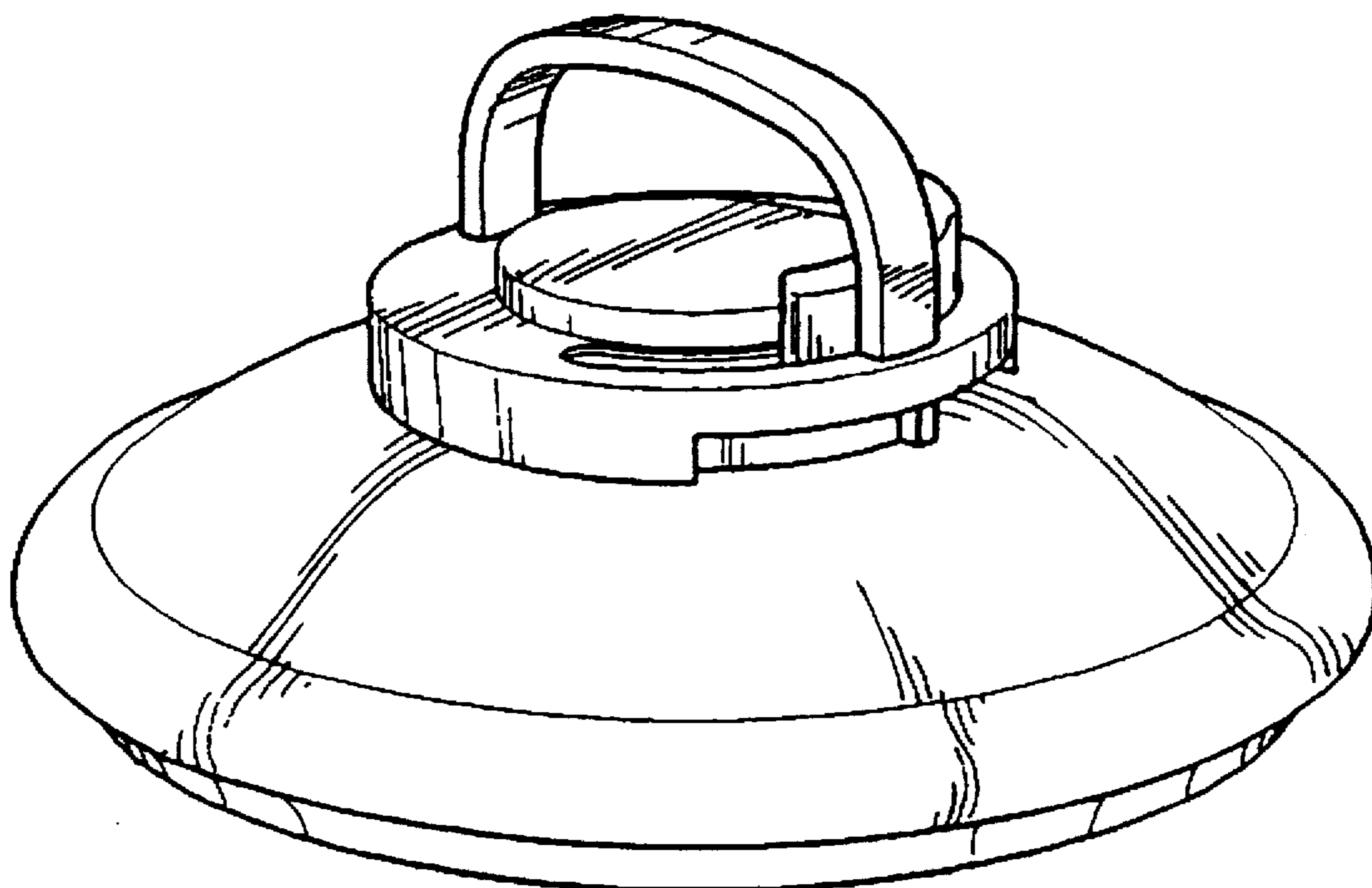


FIG. 7