



US00D385149S

**United States Patent** [19]  
**Feil**

[11] **Patent Number: Des. 385,149**  
[45] **Date of Patent: \*\*Oct. 21, 1997**

[54] **ELECTROMOTIVE KITCHEN APPLIANCE**

[75] **Inventor: Rolf Feil, Günzburg, Germany**

[73] **Assignee: Bosch-Siemens Hausgeraete GmbH,  
Munich, Germany**

[\*\*] **Term: 14 Years**

[21] **Appl. No.: 53,527**

[22] **Filed: Apr. 22, 1996**

[51] **LOC (6) Cl. .... 31-00**

[52] **U.S. Cl. .... D7/378; D7/384**

[58] **Field of Search .... D7/376, 378, 381,  
D7/384, 386, 412, 413; 366/129, 130, 197,  
199, 204, 205, 314; 241/282.1**

[56] **References Cited**

**U.S. PATENT DOCUMENTS**

- D. 209,493 12/1967 Le Sueur et al. .... D7/378
- D. 220,667 5/1971 Koshido et al. .... D7/378
- D. 235,608 7/1975 Yoshida et al. .... D7/378

- D. 259,133 5/1981 Klawitter ..... D7/378 X
- D. 306,389 3/1990 Nasui et al. .... D7/386 X
- D. 321,455 11/1991 Duquaine, Jr. et al. .... D7/361
- D. 339,715 9/1993 Barrault ..... D7/378

*Primary Examiner*—Caron D. Veynar  
*Attorney, Agent, or Firm*—Herbert L. Lerner; Laurence A. Greenberg

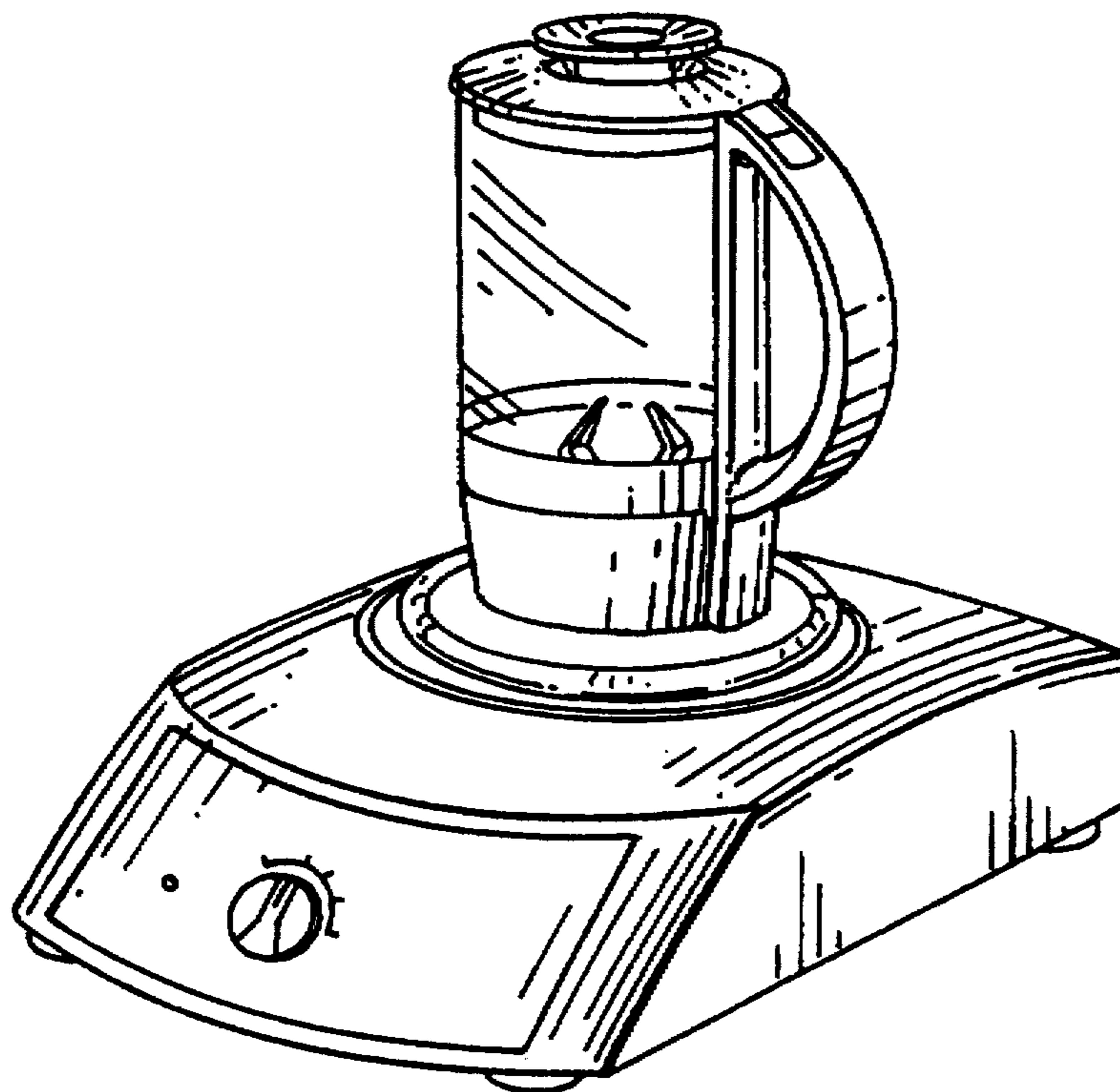
[57] **CLAIM**

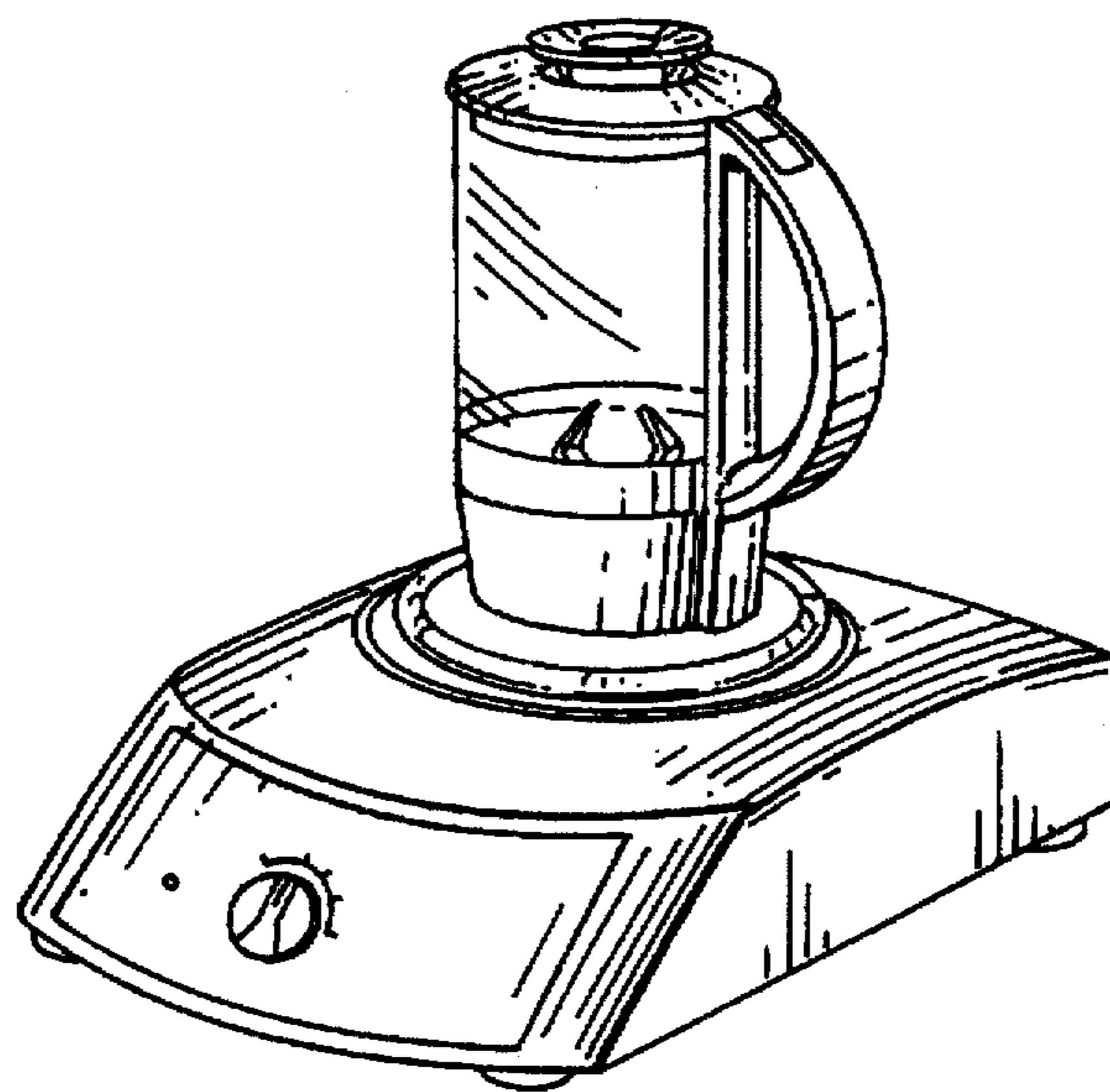
The ornamental design for a electromotive kitchen appliance, as shown and described.

**DESCRIPTION**

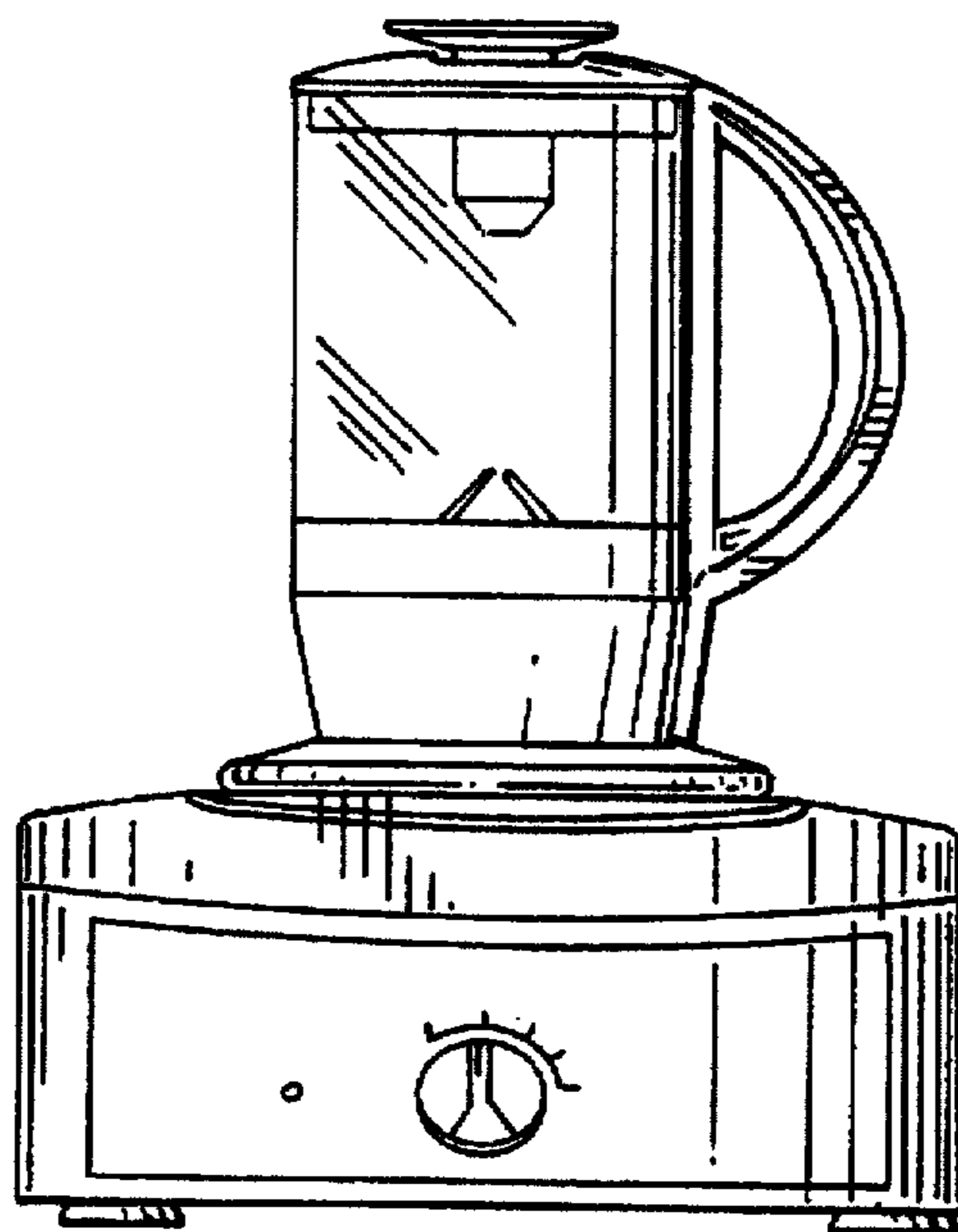
FIG. 1 is a top, front and right-side perspective view of an electromotive kitchen appliance according to the invention; FIG. 2 is a front-elevational view thereof; FIG. 3 is a rear-elevational view thereof; FIG. 4 is a right-side elevational view thereof; FIG. 5 is a left-side elevational view thereof; FIG. 6 is a top-plan view thereof; and, FIG. 7 is a bottom-plan view thereof.

**1 Claim, 4 Drawing Sheets**

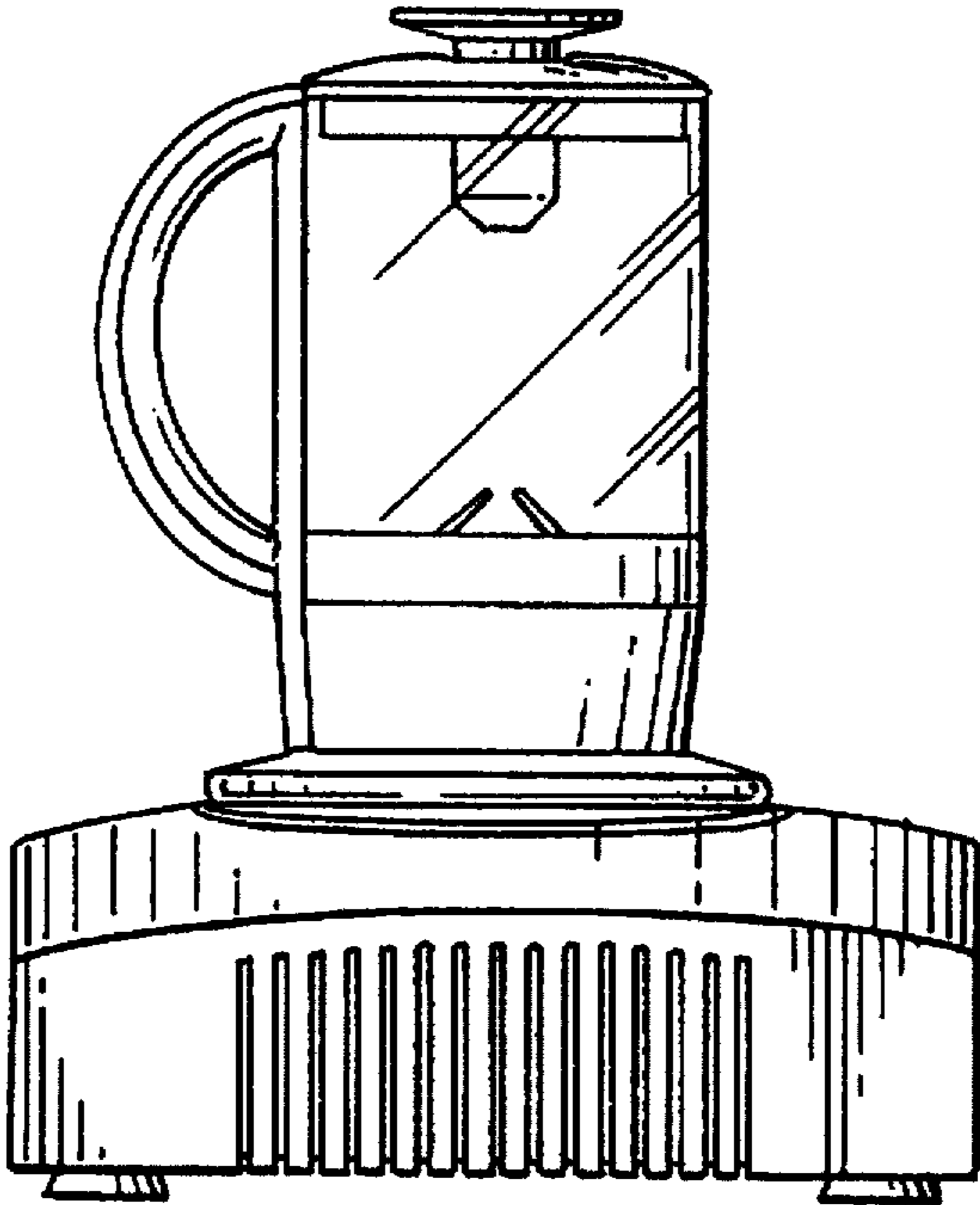




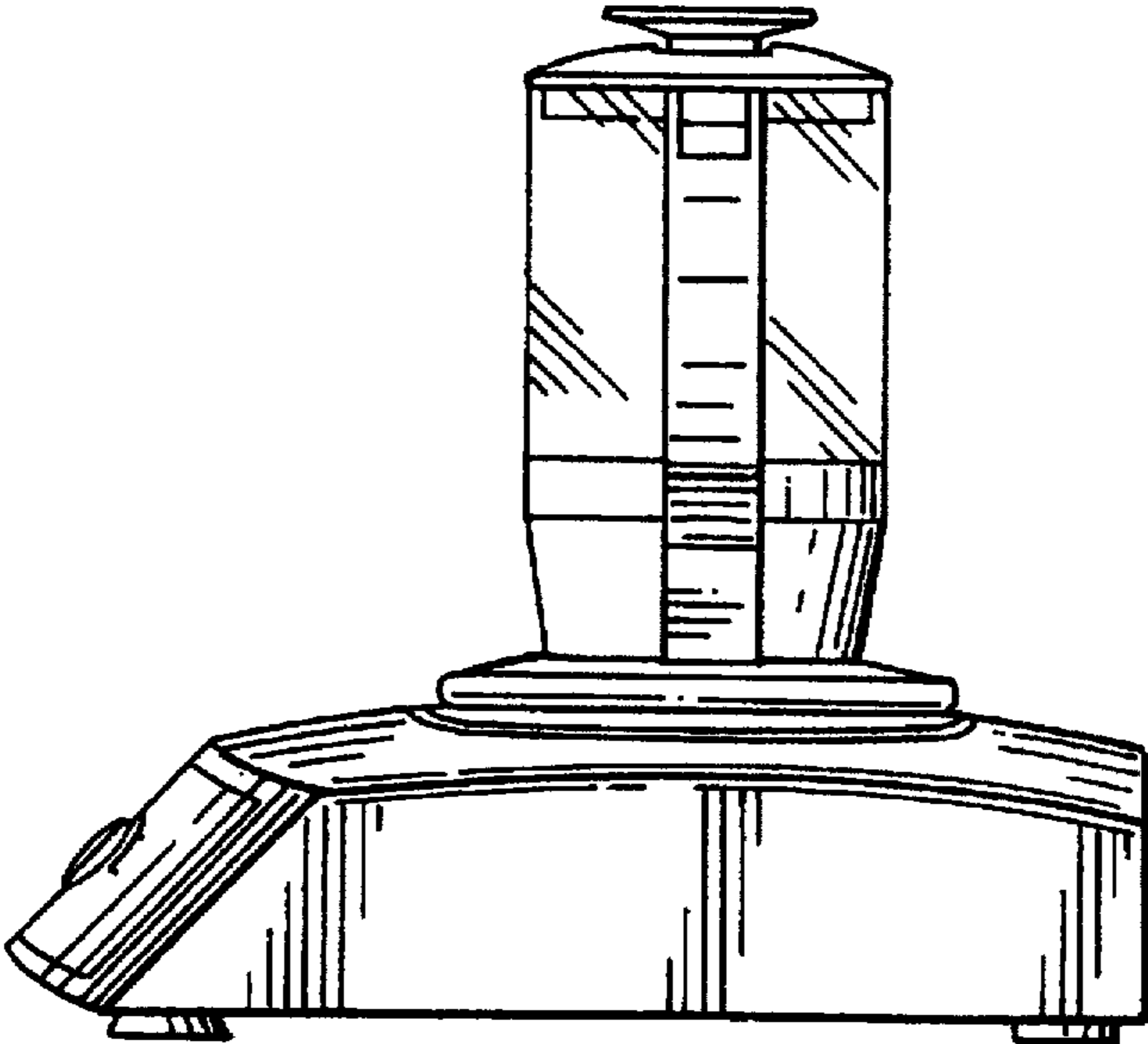
*Fig. 1*



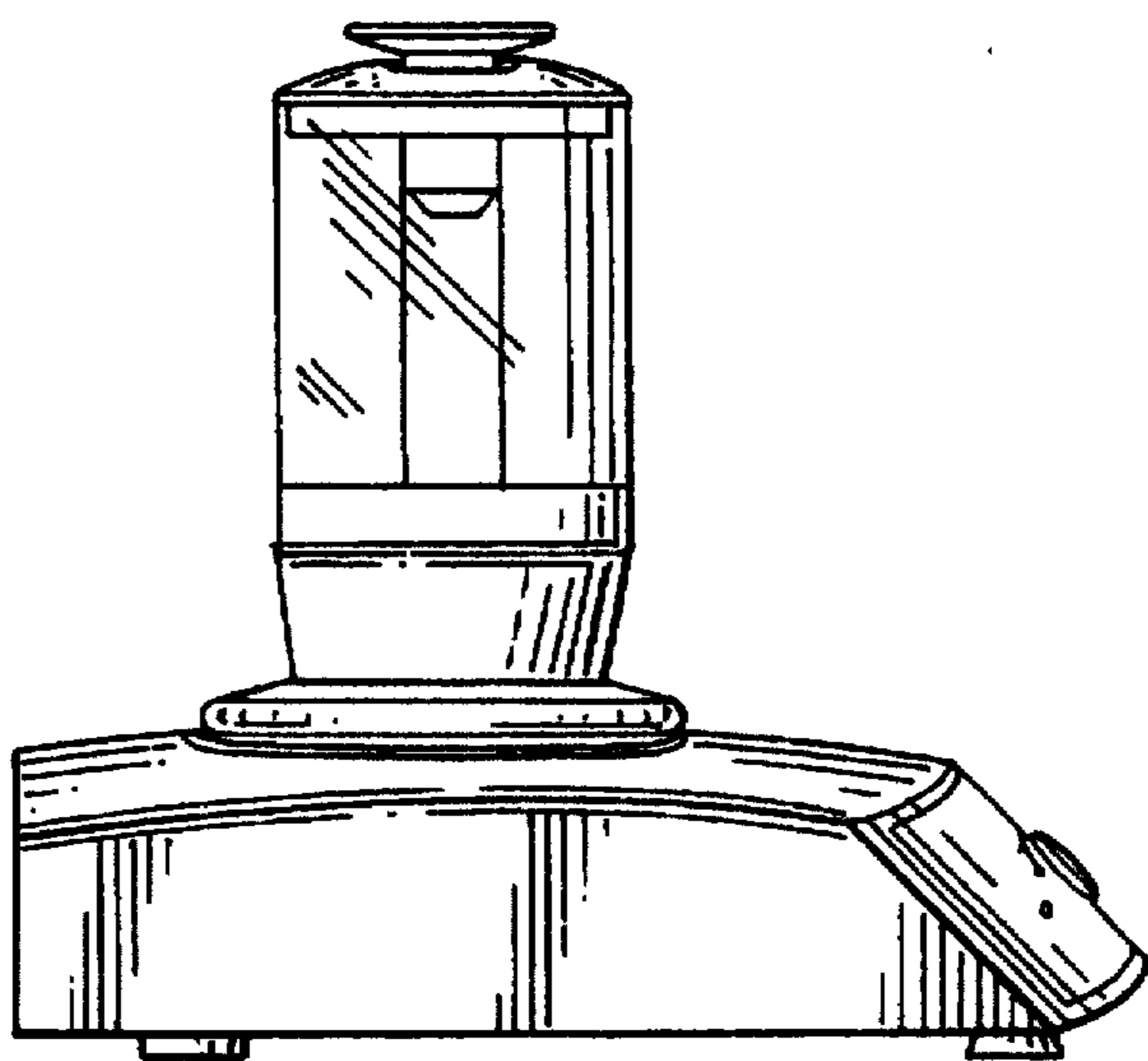
*Fig. 2*



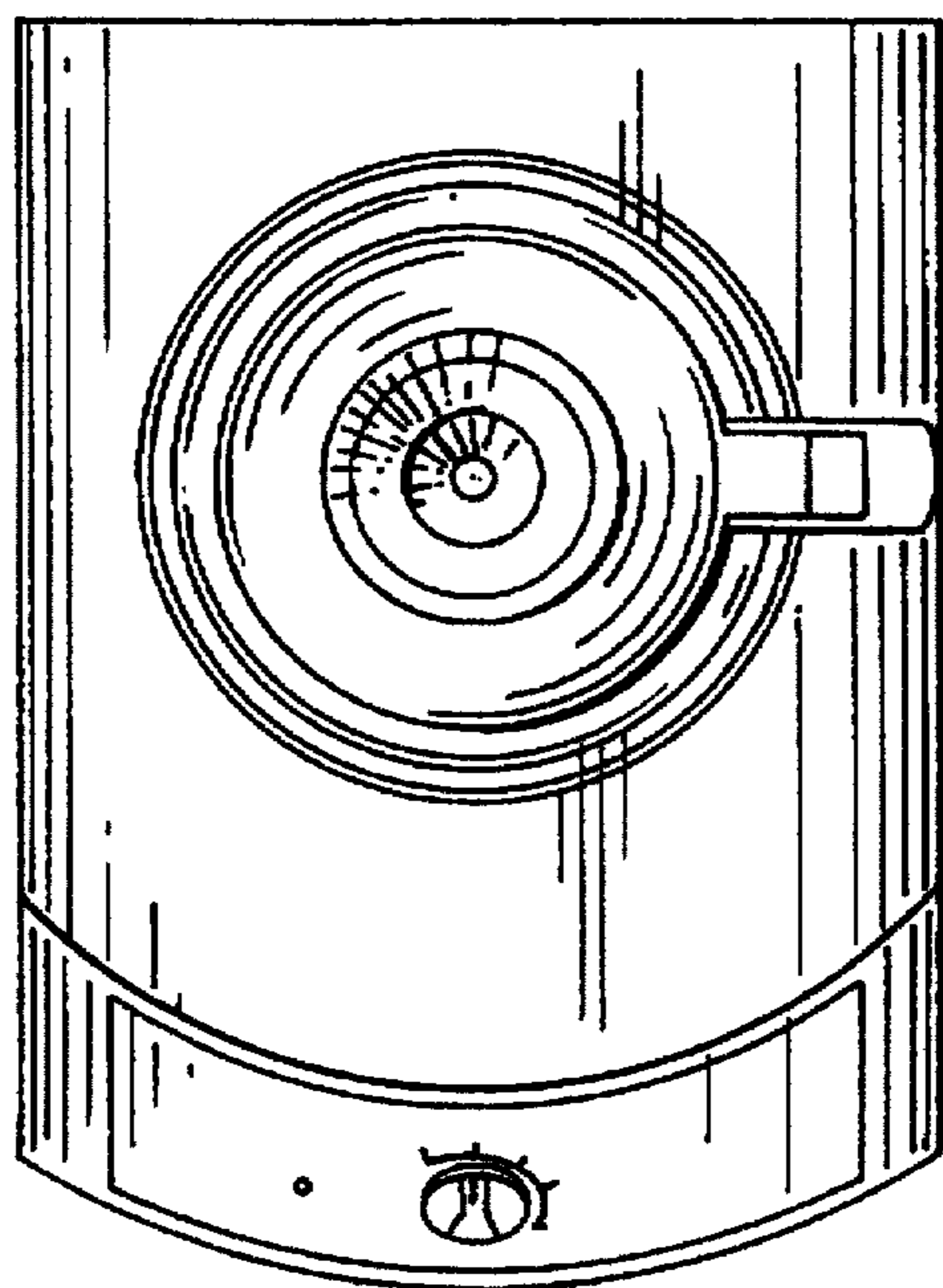
*Fig. 3*



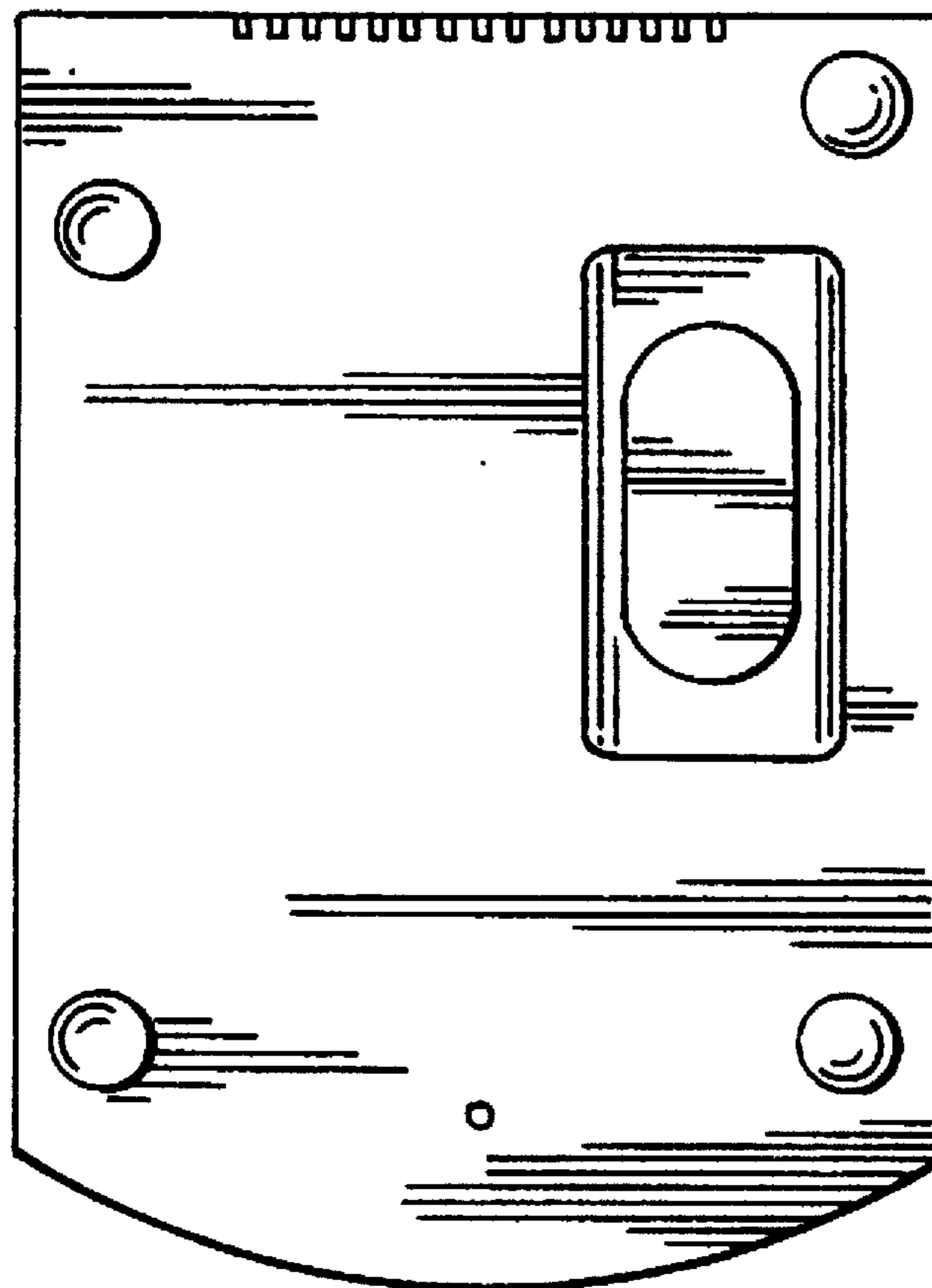
*Fig. 4*



*Fig. 5*



*Fig. 6*



*Fig. 7*