



US00D385147S

# United States Patent [19]

[11] Patent Number: **Des. 385,147**

Fielding et al.

[45] Date of Patent: **\*\*Oct. 21, 1997**

[54] **BARBECUE GRILL WITH HAMBURGER APPEARANCE**

5,070,777	12/1991	Novak	.....	126/25 R
5,159,917	11/1992	Archer et al.	.....	126/25 R
5,499,573	3/1996	Lin	.....	126/25 R

[75] Inventors: **Douglas R. Fielding; Charles S. Adams**, both of Berkeley, Calif.

### OTHER PUBLICATIONS

Weber, Go-Anywhere Grills, Charcoal Barbecues, Specialty Barbecues, 1995.

[73] Assignee: **Charcoal Companion, Inc.**, Oakland, Calif.

*Primary Examiner*—Ruth McInroy  
*Attorney, Agent, or Firm*—Owen, Wickersham & Erickson, P.C.

[\*\*] Term: **14 Years**

[21] Appl. No.: **62,239**

### [57] CLAIM

[22] Filed: **Nov. 12, 1996**

The ornamental design for barbecue grill with hamburger appearance, as shown and described.

[51] LOC (6) Cl. .... **07-02**

[52] U.S. Cl. .... **D7/332**

[58] Field of Search ..... D7/332-337, 365-366, D7/403-404; 126/25 R, 25 A, 29-30, 9 R, 38; D1/101, 104, 122, 124, 130

### DESCRIPTION

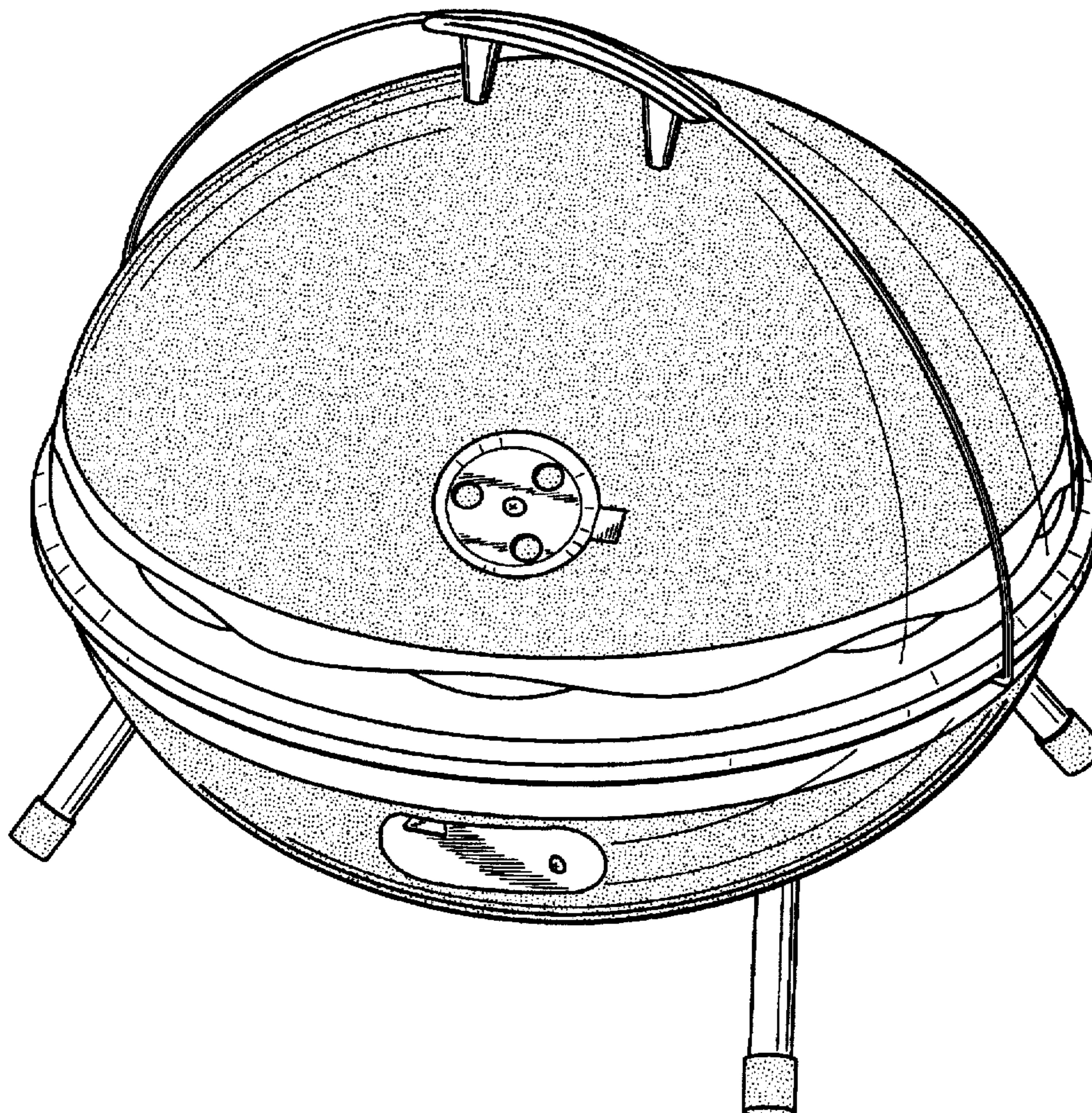
### [56] References Cited

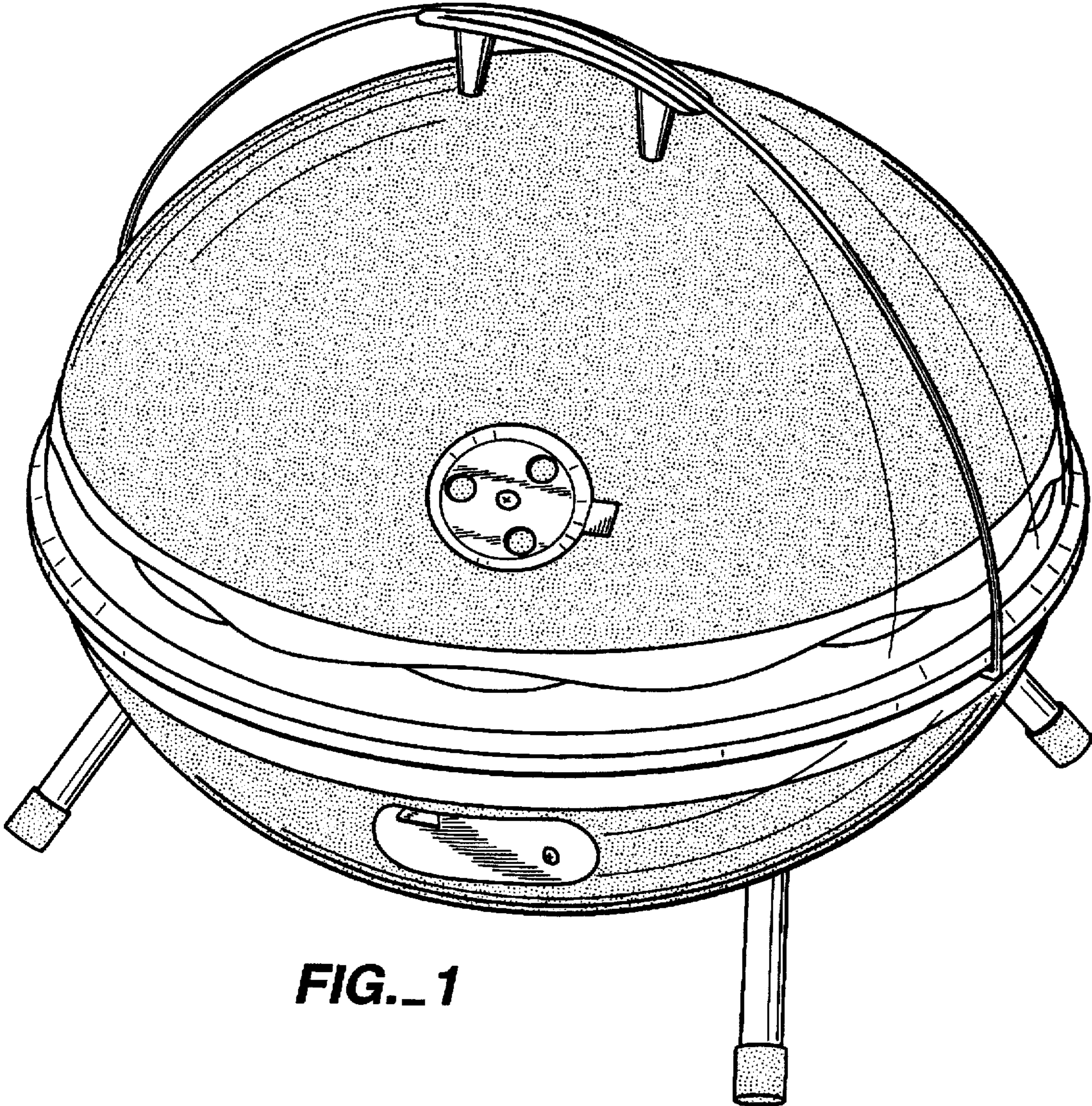
#### U.S. PATENT DOCUMENTS

D. 242,297	11/1976	Ortega	.....	D1/101
D. 293,191	12/1987	Stephen et al.	.....	D7/332
D. 315,079	3/1991	Jui-Yen	.....	D7/334
D. 327,805	7/1992	Parent et al.	.....	D7/334
D. 376,510	12/1996	Ting	.....	D7/332

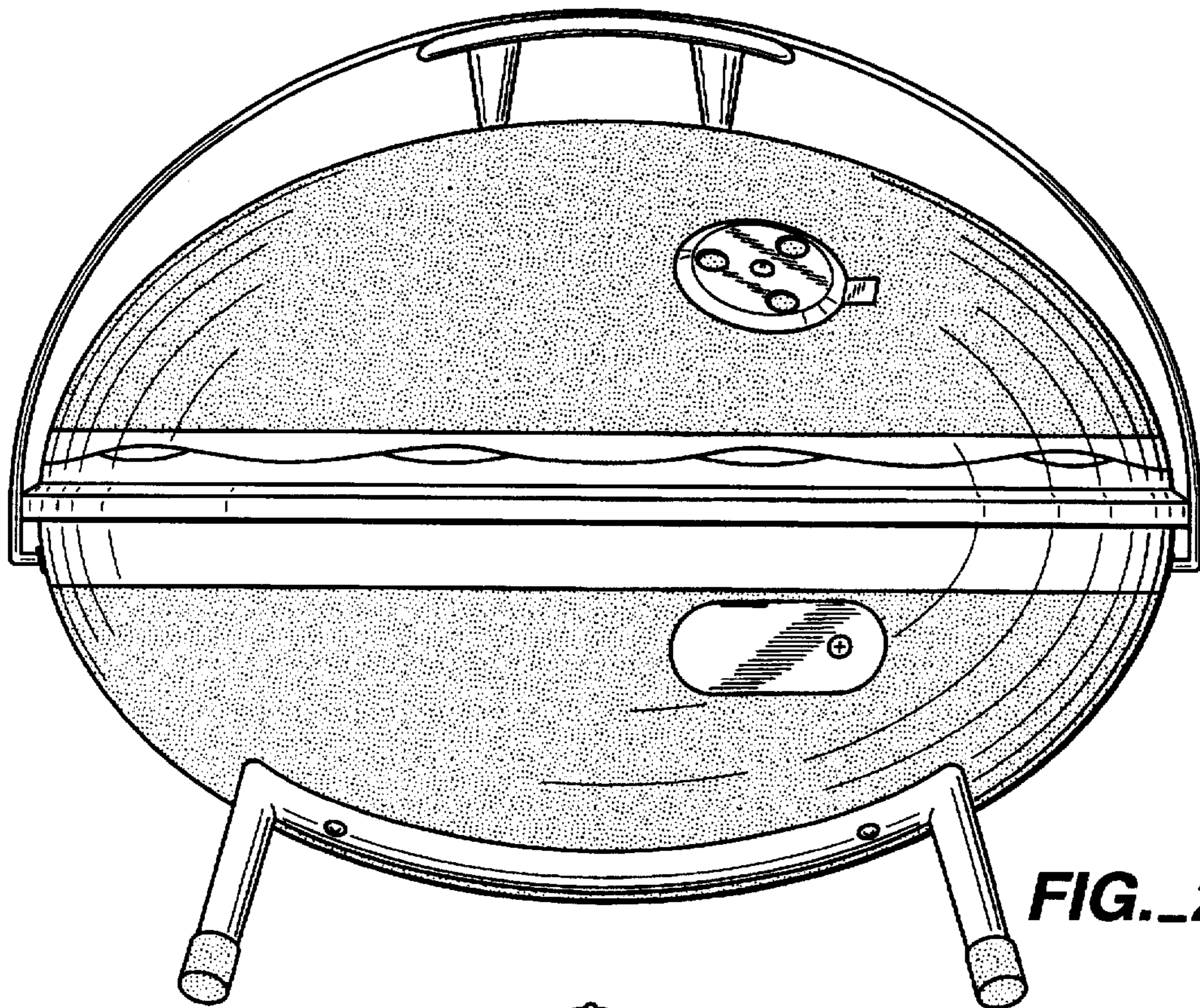
FIG. 1 is a perspective view of a barbecue grill with hamburger appearance showing our new design; FIG. 2 is a front elevational view thereof; FIG. 3 is a rear elevational view thereof; FIG. 4 is a right side elevational view thereof; FIG. 5 is a left side elevational view thereof; FIG. 6 is a top plan view thereof; and, FIG. 7 is a bottom plan view thereof.

**1 Claim, 5 Drawing Sheets**

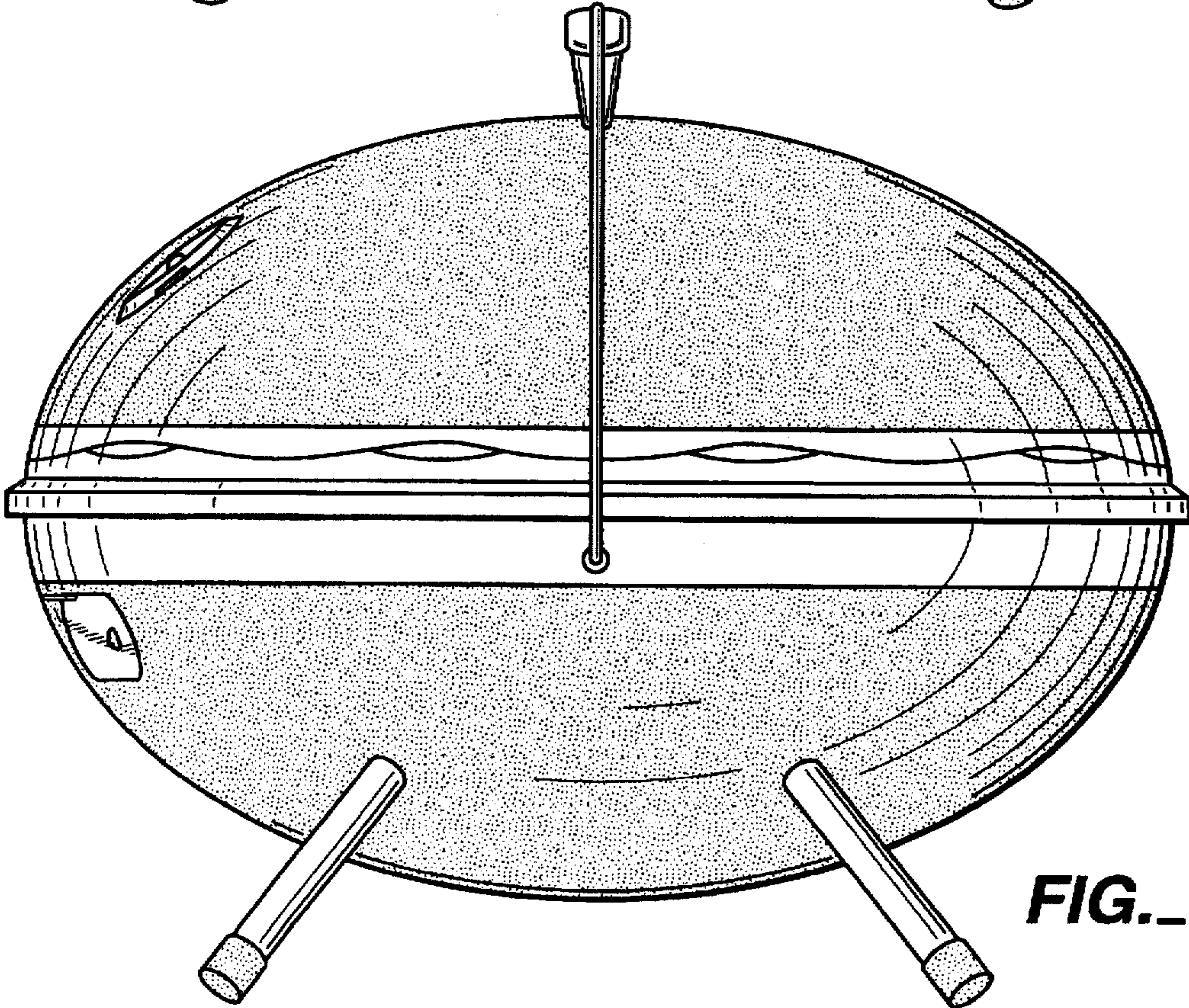




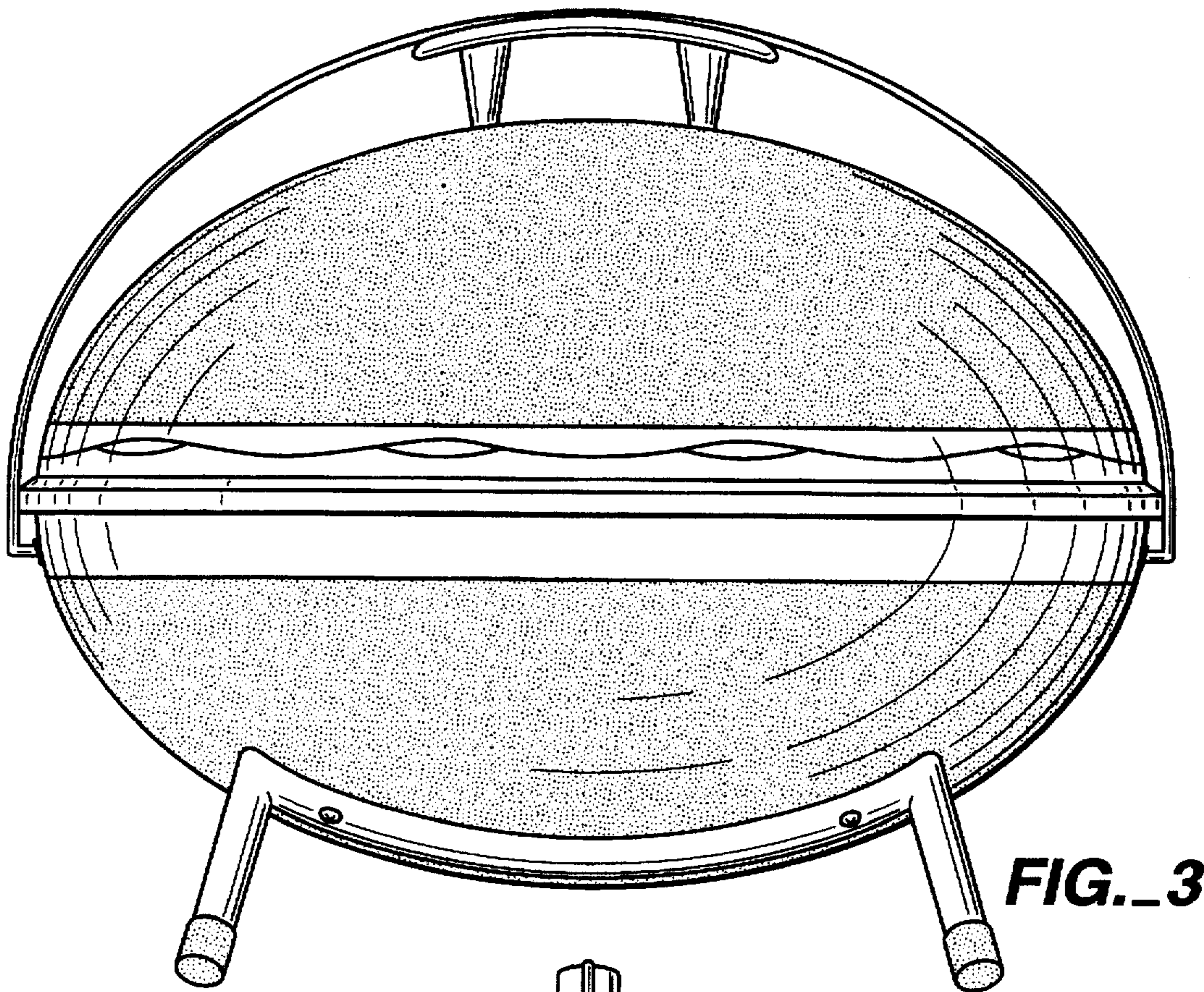
**FIG. 1**



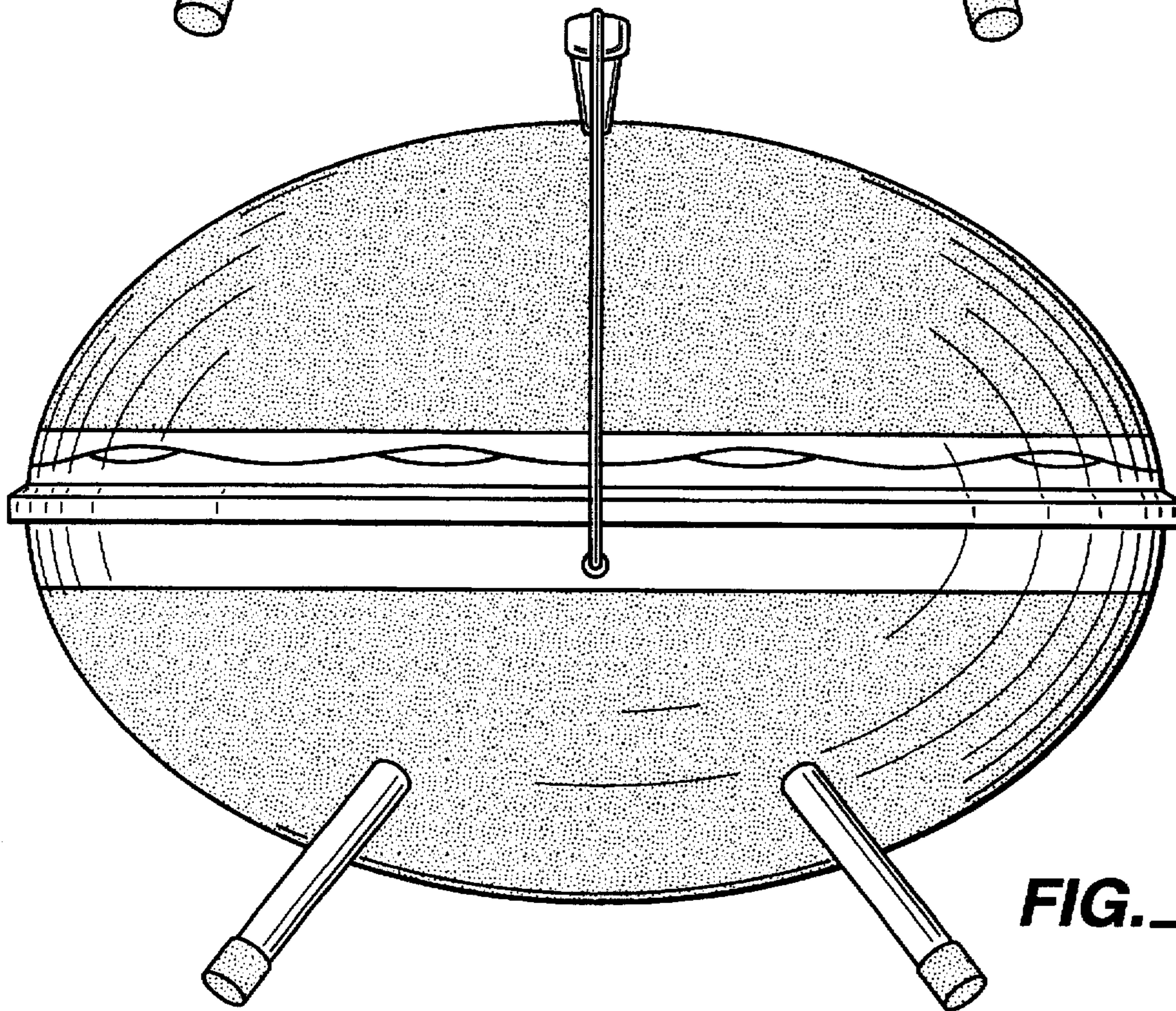
**FIG. 2**



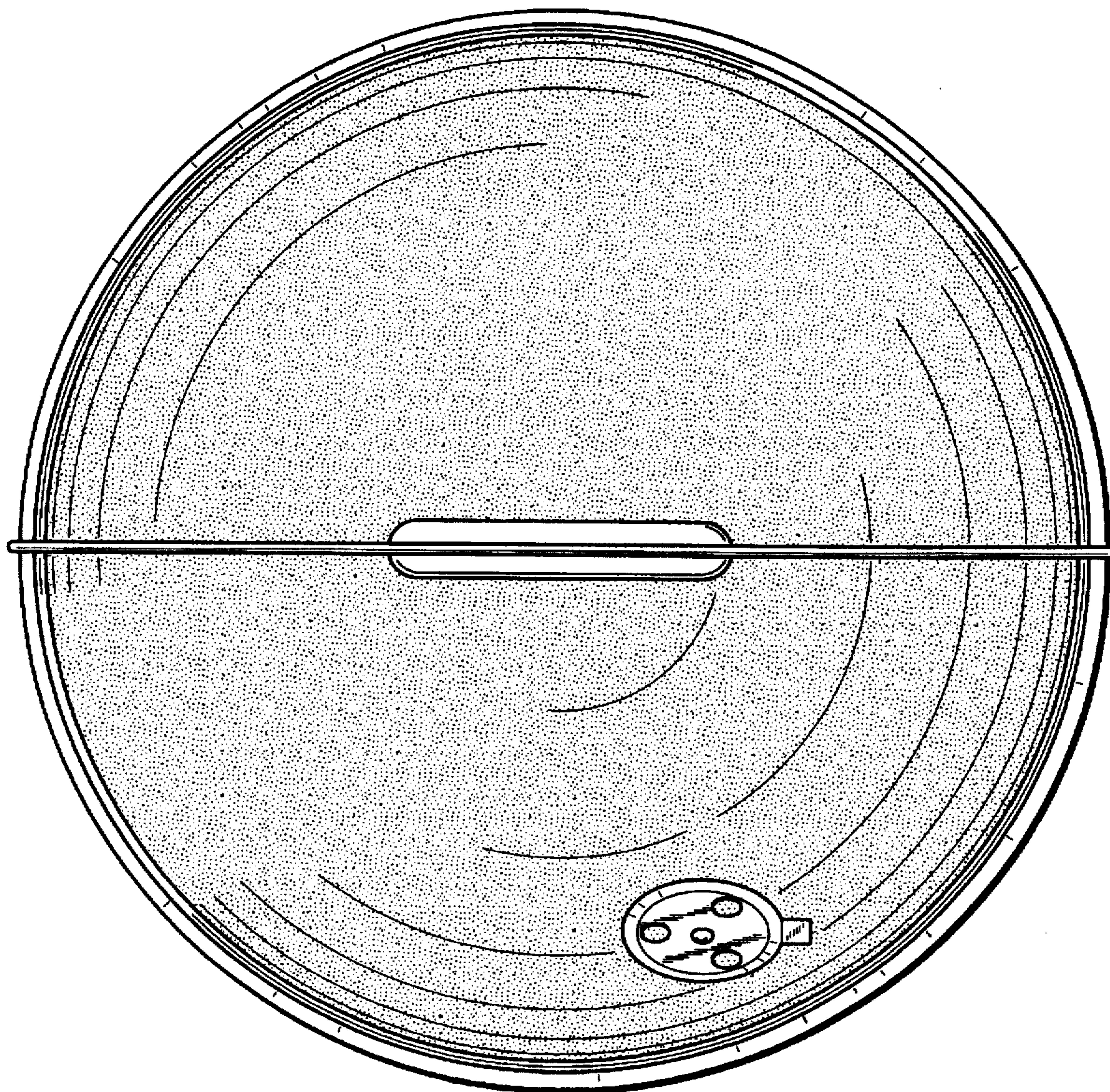
**FIG. 4**



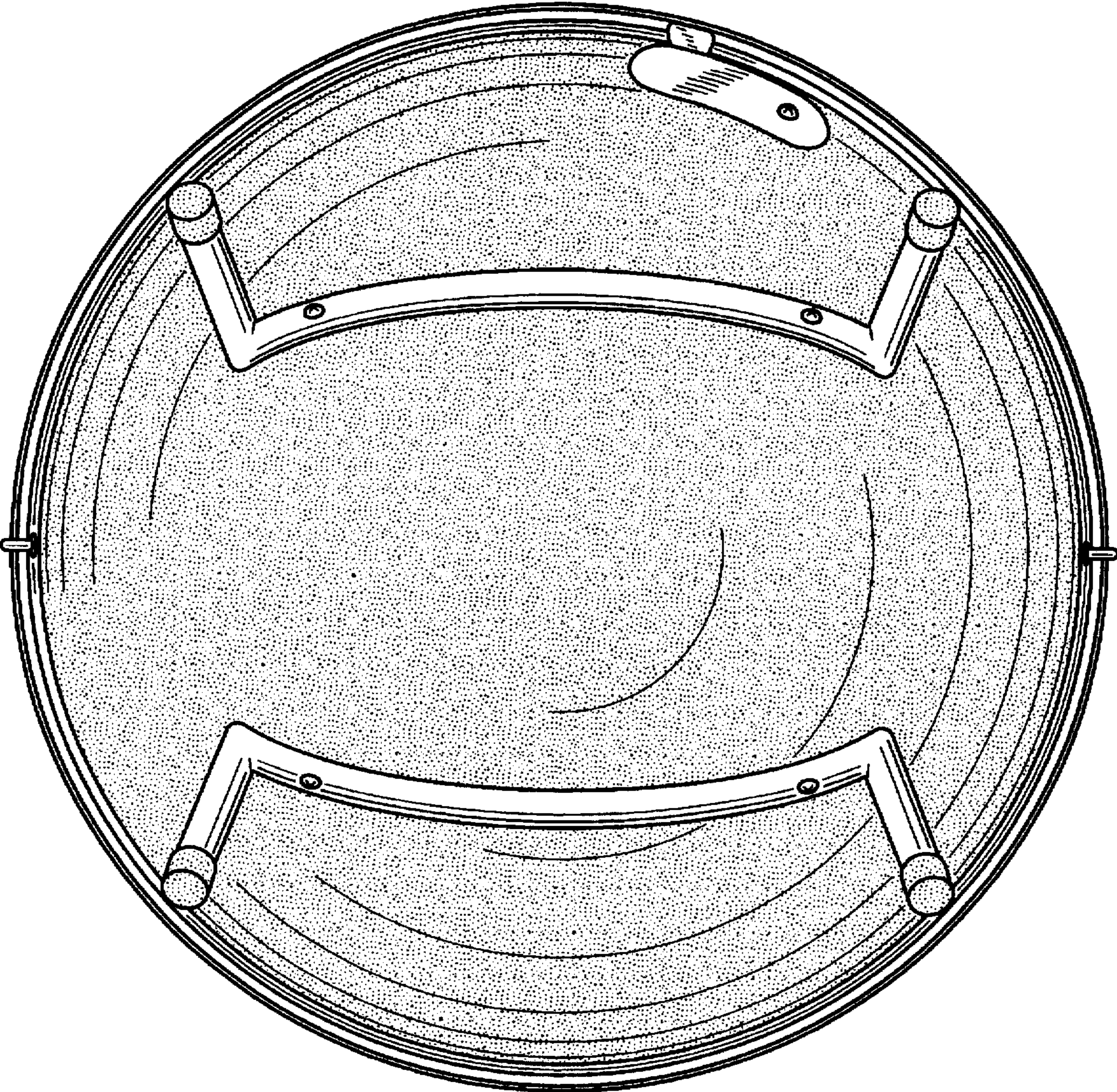
**FIG. 3**



**FIG. 5**



**FIG. 6**



**FIG.\_7**