



US00D385146S

# United States Patent [19]

[11] Patent Number: **Des. 385,146**

Fielding et al.

[45] Date of Patent: **\*\*Oct. 21, 1997**

[54] **BARBECUE GRILL WITH FOOTBALL APPEARANCE**

D. 370,380 6/1996 McGourthy, Jr. et al. .... D7/332  
D. 373,282 9/1996 Cordero ..... D7/334

[75] Inventors: **Douglas R. Fielding; Charles S. Adams**, both of Berkeley, Calif.

### OTHER PUBLICATIONS

Spalding, Fall & Winter 1953-54, copyright 1953, cover. "Spalding football" 1953.

[73] Assignee: **Charcoal Companion, Inc.**, Oakland, Calif.

*Primary Examiner*—Ruth McInroy  
*Attorney, Agent, or Firm*—Owen, Wickersham & Erickson, P.C.

[\*\*] Term: **14 Years**

[21] Appl. No.: **62,005**

### [57] CLAIM

[22] Filed: **Nov. 5, 1996**

The ornamental design for barbecue grill with football appearance, as shown and described.

[51] LOC (6) CL ..... **07-02**

[52] U.S. Cl. .... **D7/332**

[58] Field of Search ..... D7/332-337, 365-366,  
D7/403-404; 126/25 R, 25 A, 29-30, 9 R,  
38

### DESCRIPTION

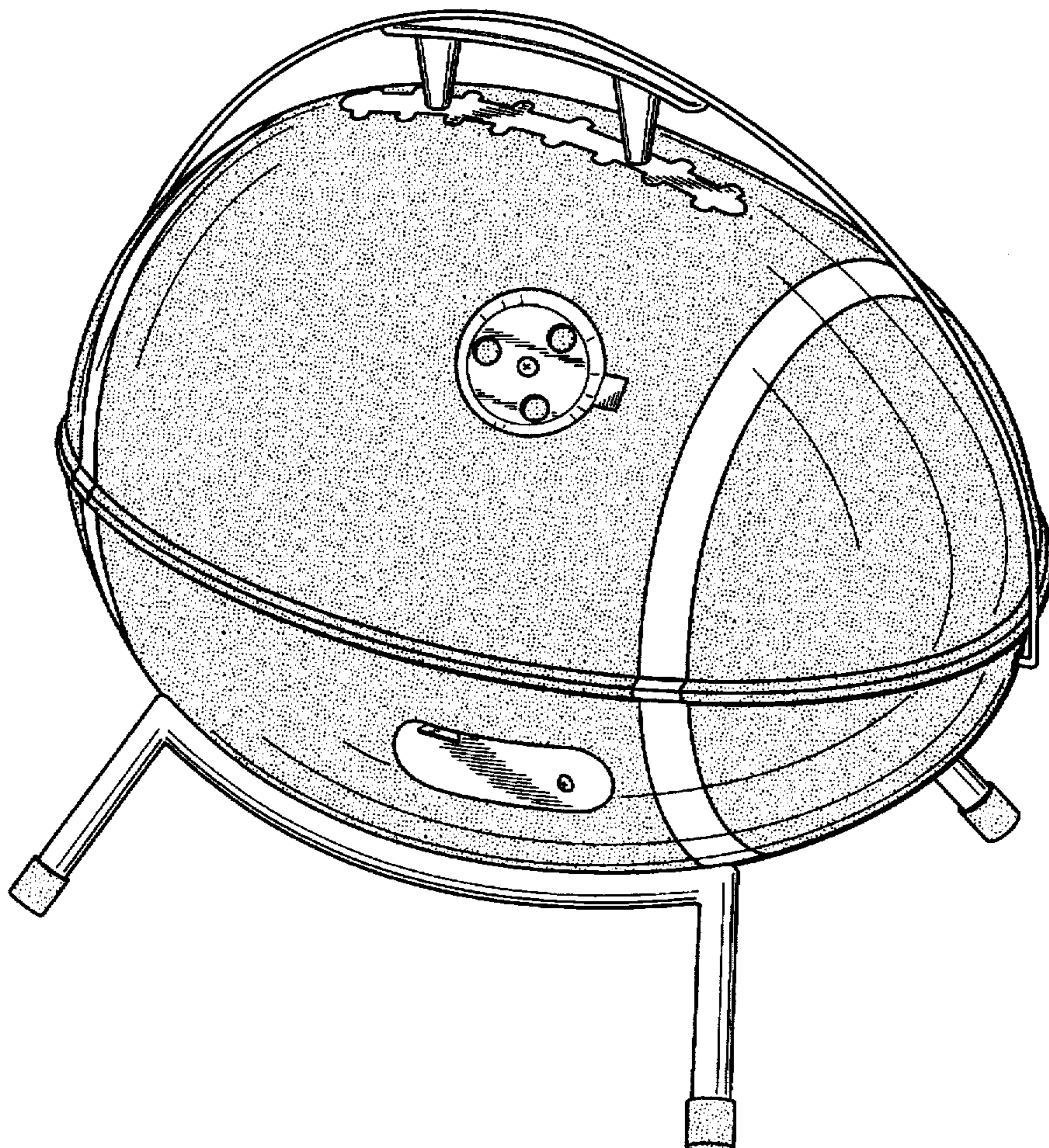
FIG. 1 is a view in perspective of a barbecue grill with football appearance showing our new design; FIG. 2 is a front elevational view thereof; FIG. 3 is a right side elevational view thereof; FIG. 4 is a rear elevational view thereof; FIG. 5 is a left side elevational view thereof; FIG. 6 is a top plan view thereof; and, FIG. 7 is a bottom plan view thereof.

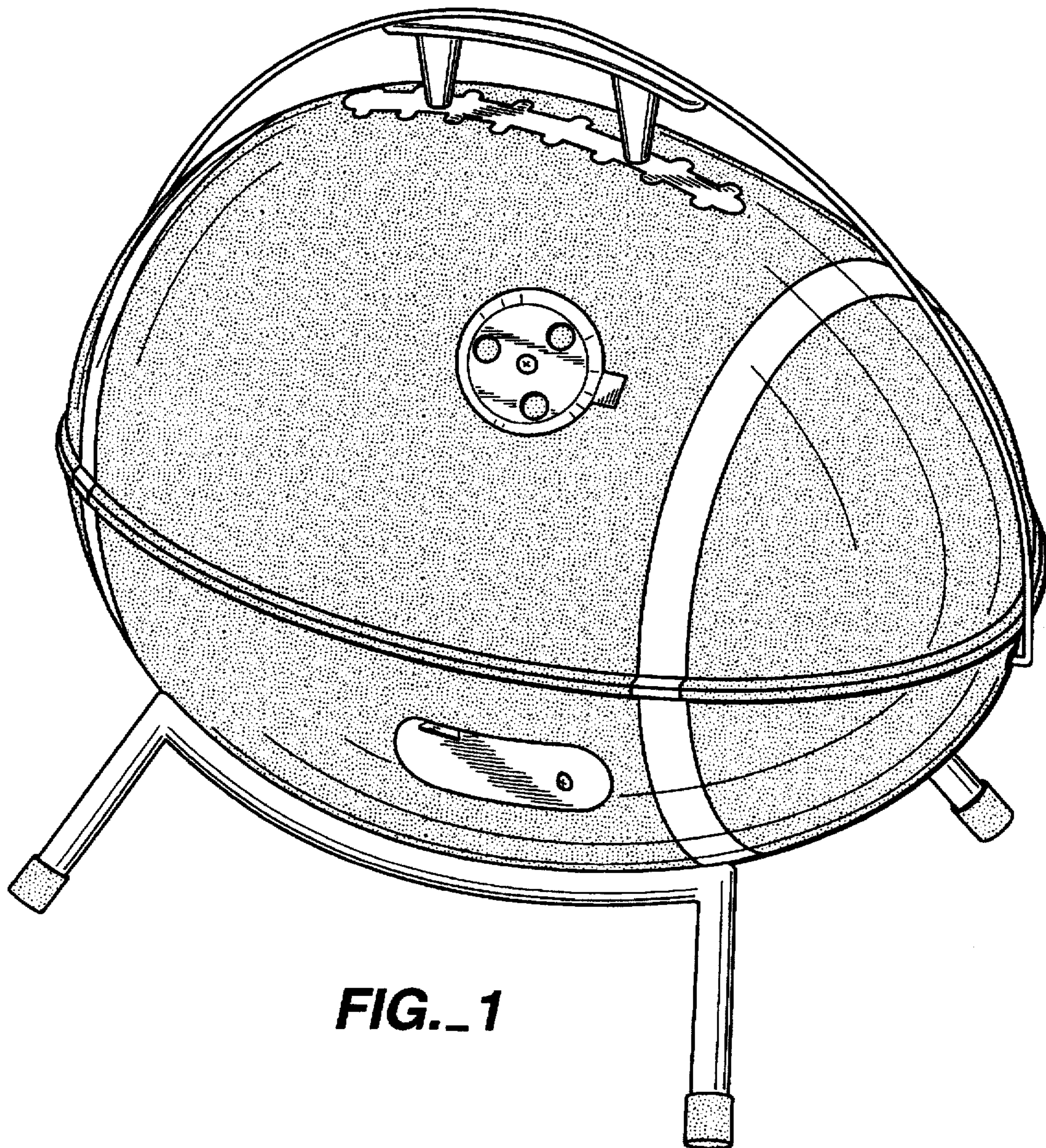
### [56] References Cited

#### U.S. PATENT DOCUMENTS

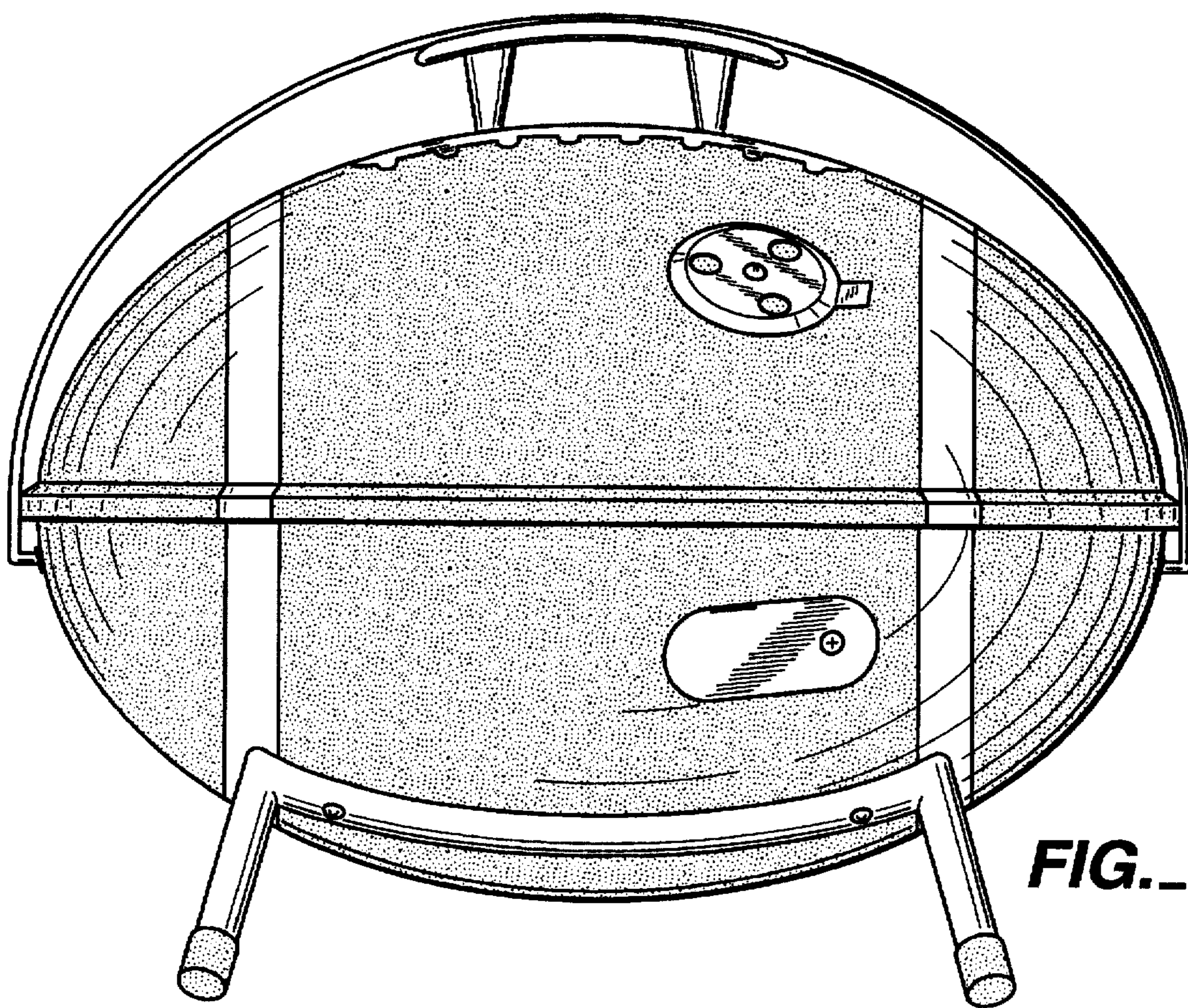
D. 282,811 3/1986 Best ..... D7/332  
D. 283,391 4/1986 McNiel ..... D7/332  
D. 314,882 2/1991 Bethel, Jr. .... D7/334  
D. 317,549 6/1991 Stadelmaier ..... D7/355

**1 Claim, 4 Drawing Sheets**

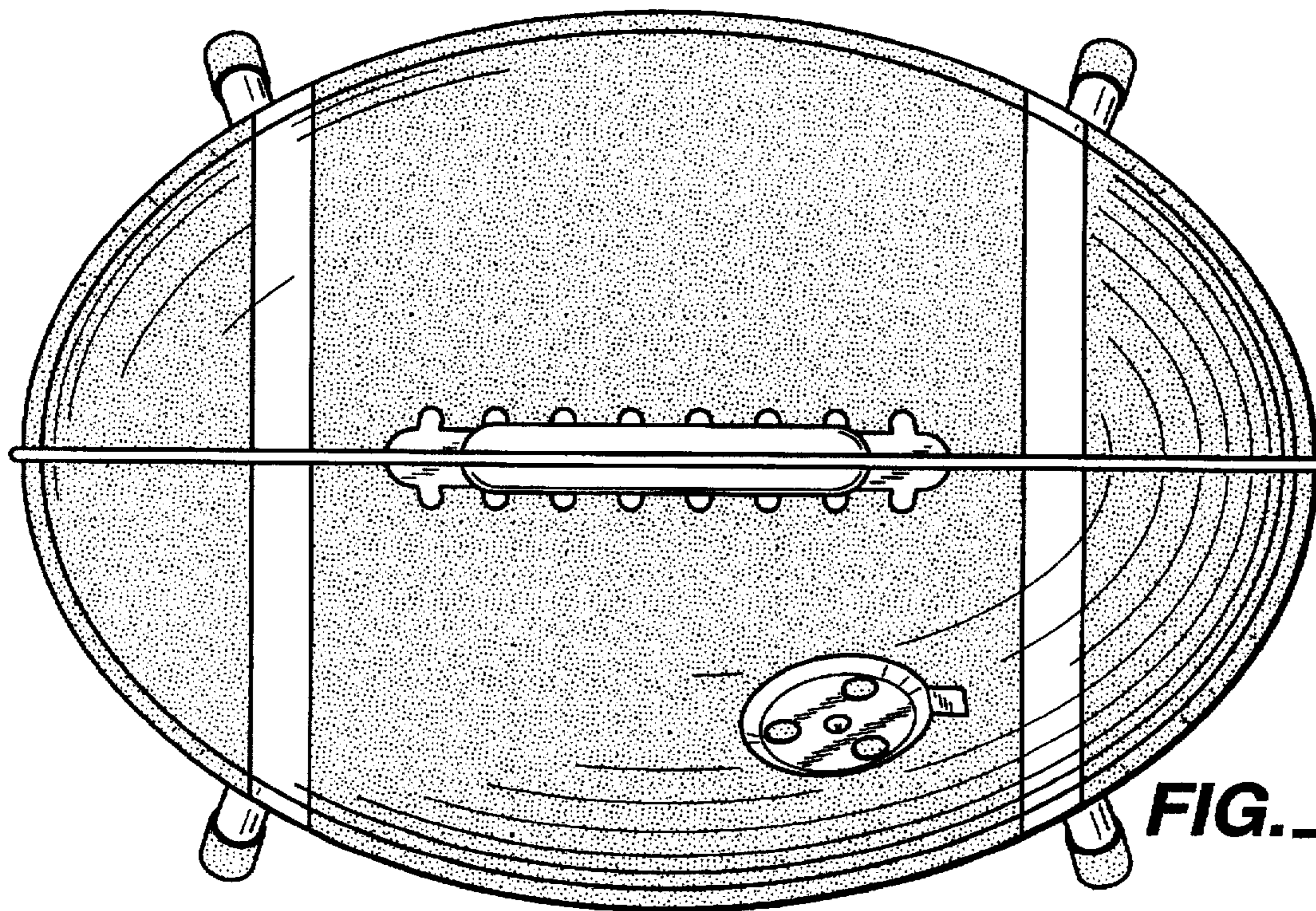




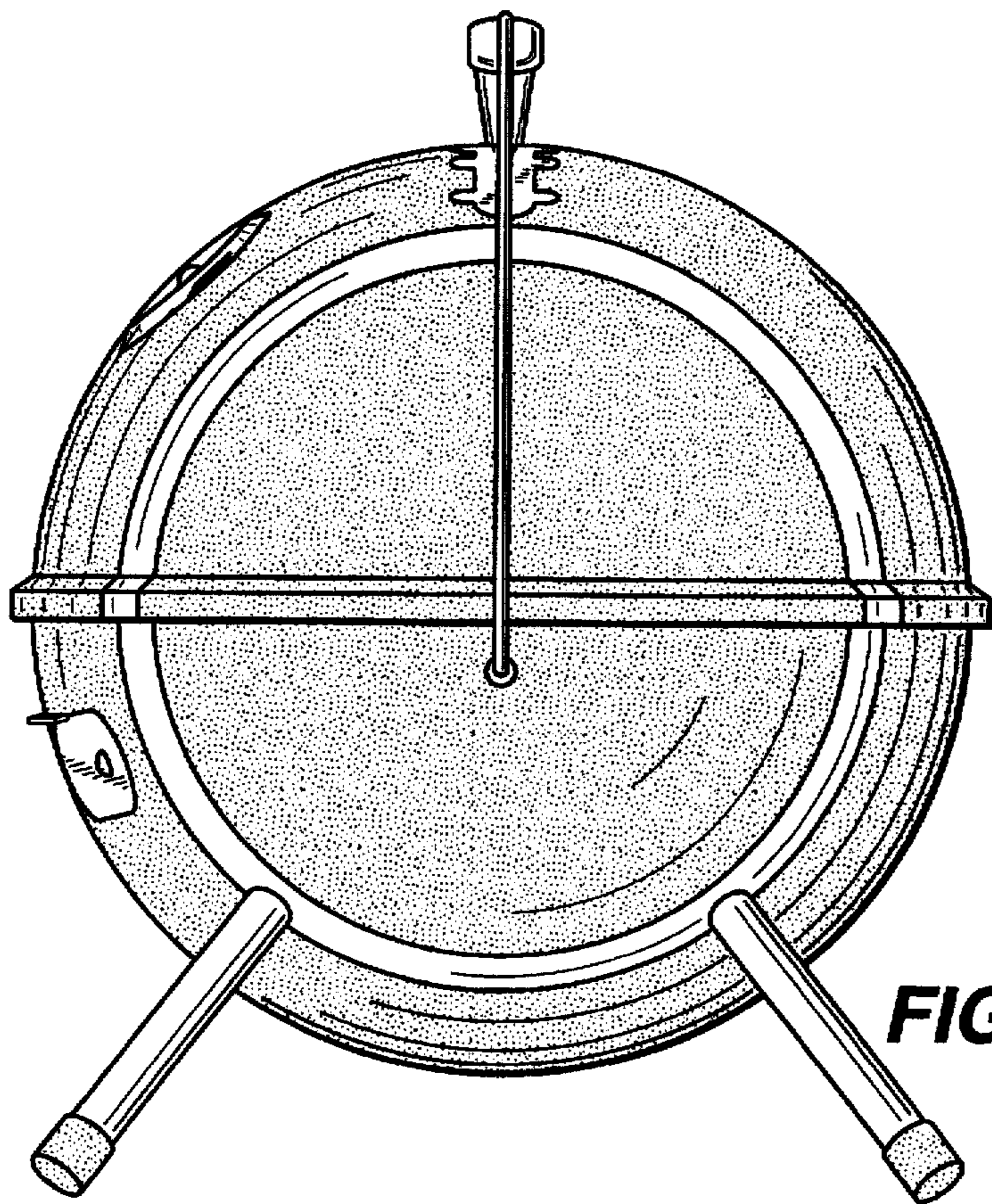
**FIG. 1**



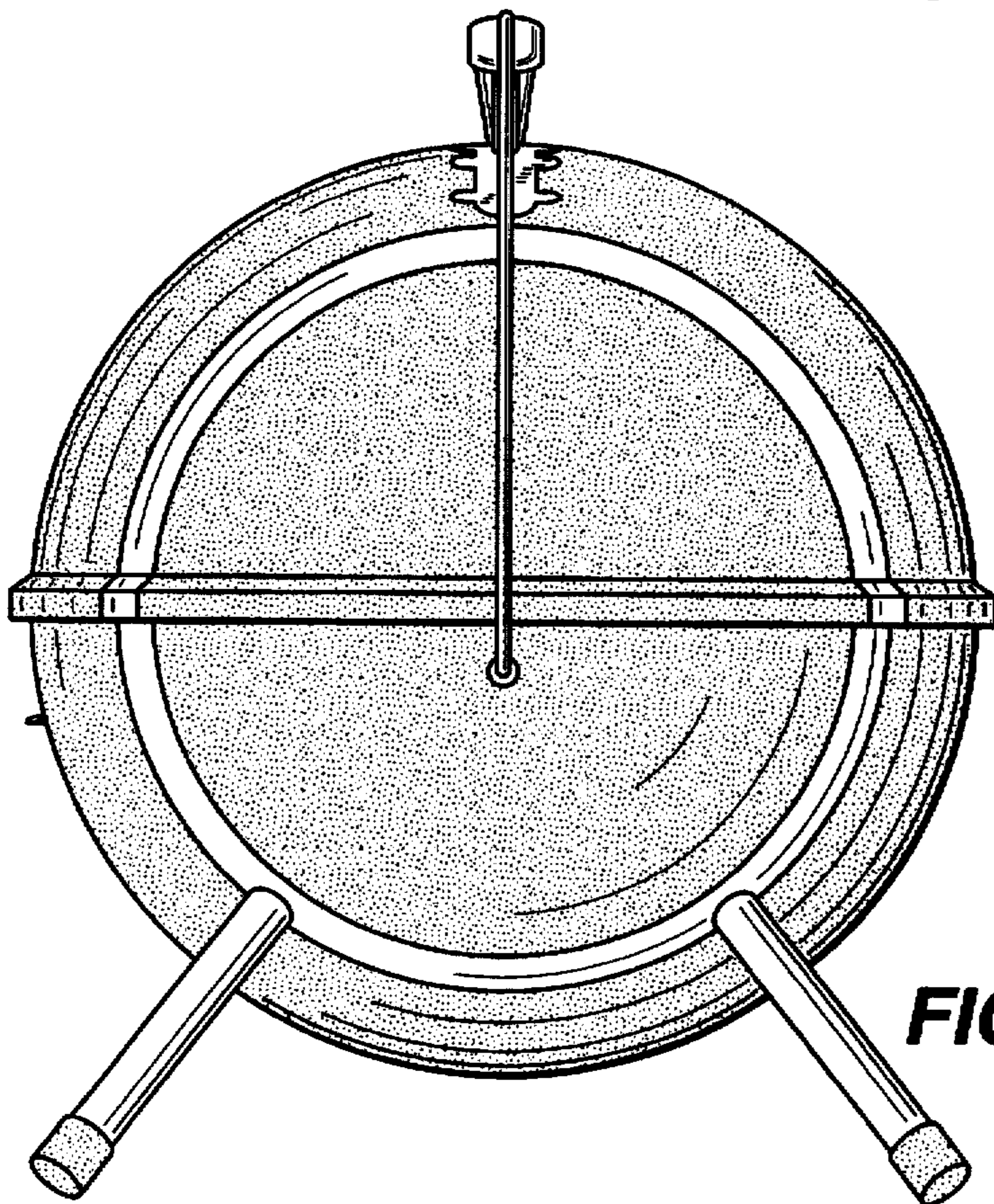
**FIG. 2**



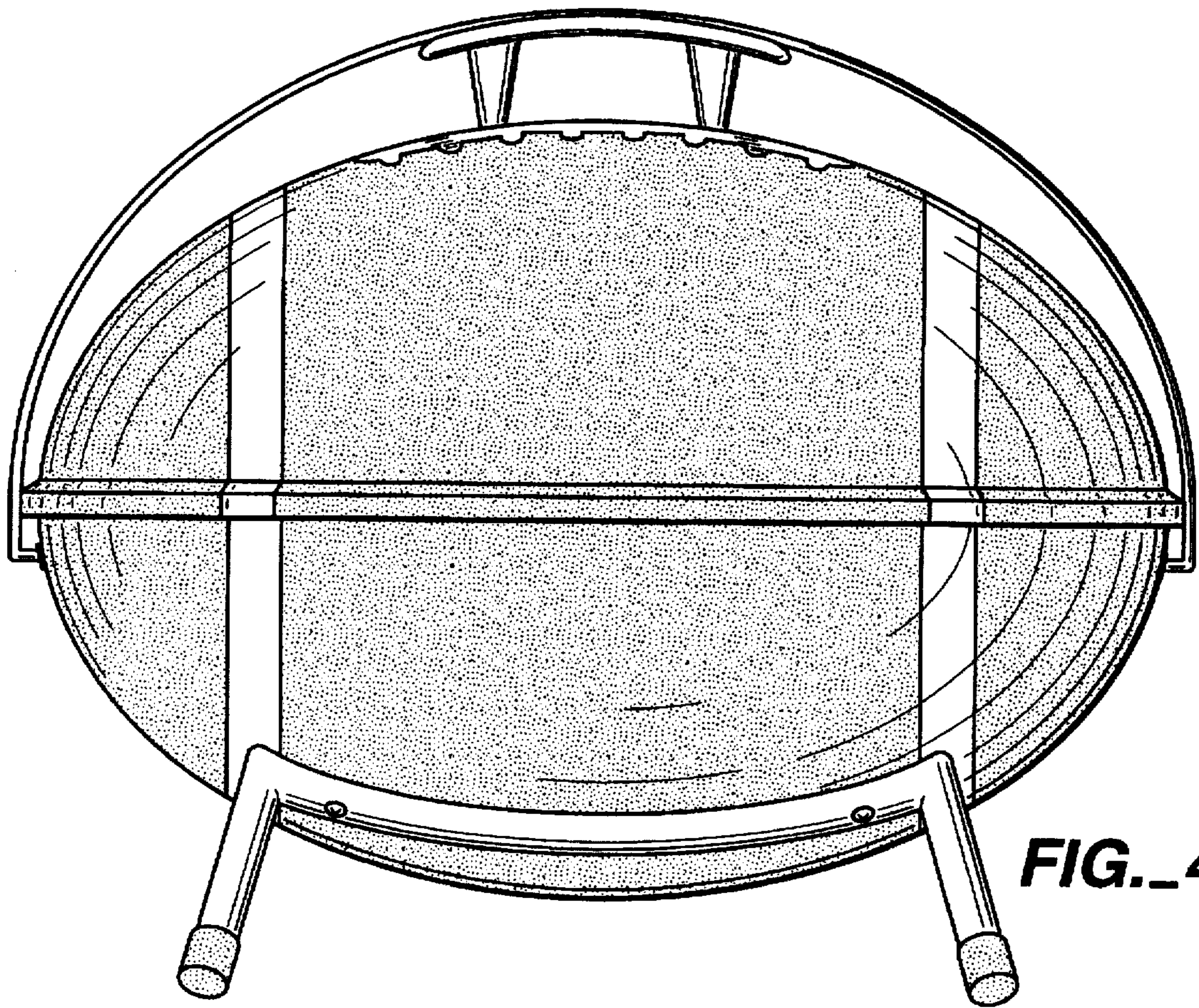
**FIG. 6**



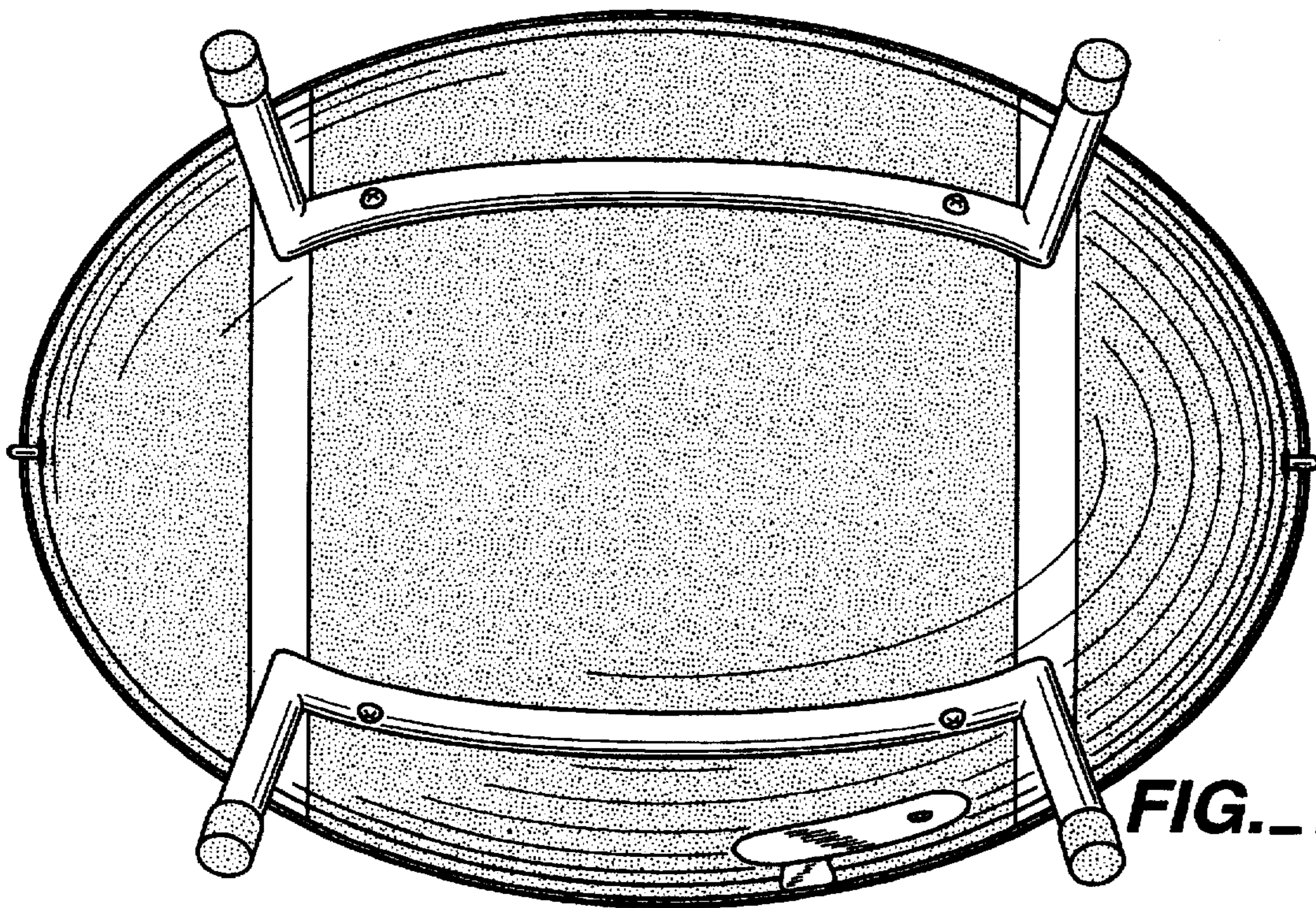
**FIG.\_3**



**FIG.\_5**



**FIG. 4**



**FIG. 7**