

US00D385138S

**United States Patent** [19]  
**Warshawsky**

[11] **Patent Number: Des. 385,138**  
[45] **Date of Patent: \*\*Oct. 21, 1997**

[54] **SOAP DISPENSER**

D. 279,062 6/1985 Kanfer ..... D6/542 X  
D. 349,649 8/1994 Hanna ..... D6/542 X

[75] **Inventor: Jerome Warshawsky, Hewlett Harbor, N.Y.**

*Primary Examiner*—Brian N. Vinson  
*Attorney, Agent, or Firm*—Alfred M. Walker

[73] **Assignee: L.W. Industries, Inc., Melville, N.Y.**

[57] **CLAIM**

[\*\*] **Term: 14 Years**

The ornamental design for a soap dispenser, as shown and described.

[21] **Appl. No.: 56,641**

**DESCRIPTION**

[22] **Filed: Jul. 3, 1996**

[51] **LOC (6) Cl. .... 07-07**

[52] **U.S. Cl. .... D6/542**

[58] **Field of Search ..... D6/542, 545; 222/153, 222/181, 182, 204, 209, 383-384**

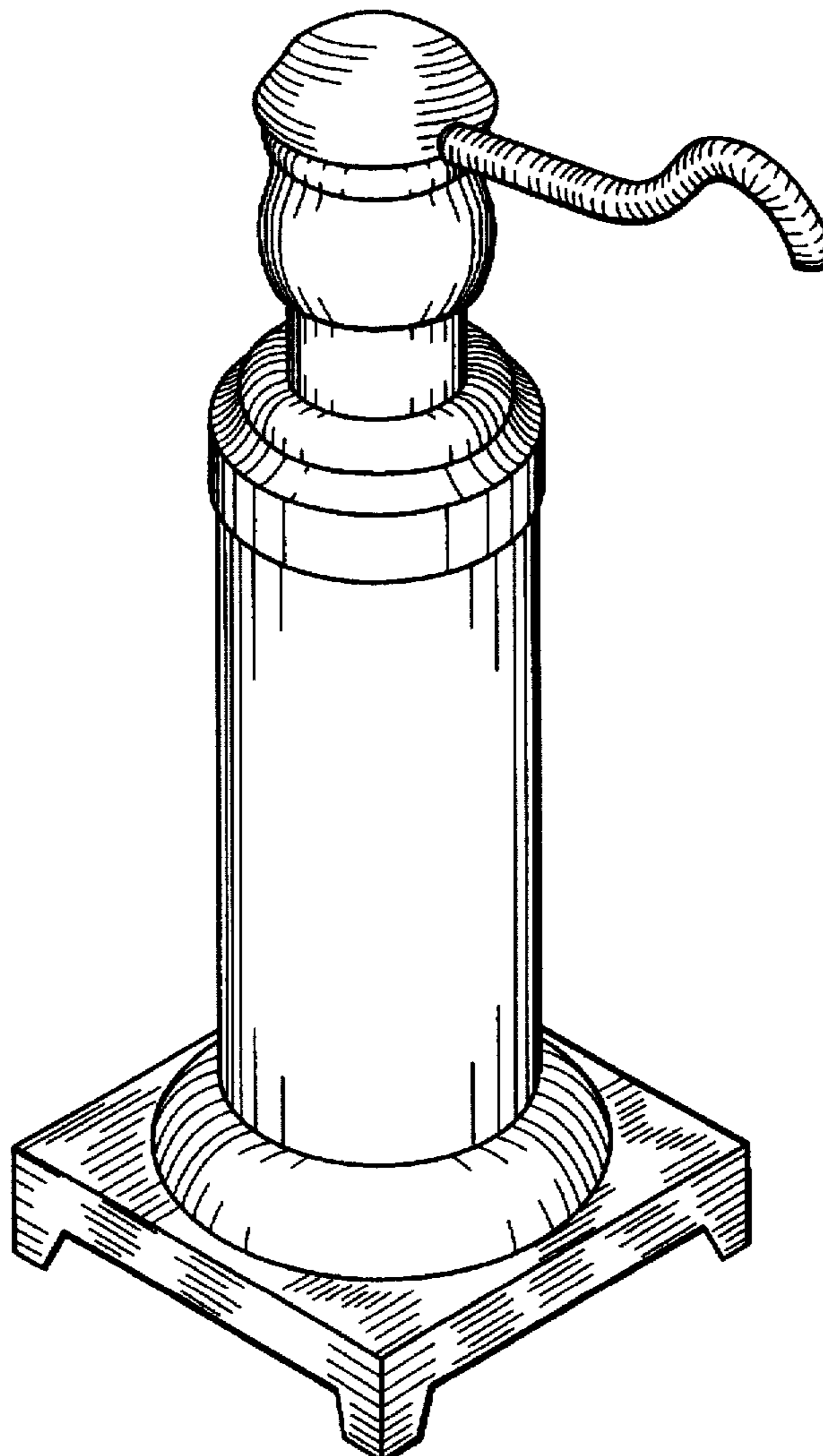
FIG. 1 is a perspective view of a soap dispenser, showing my new design;  
FIG. 2 is a right side elevational view thereof, all sides being identical thereto;  
FIG. 3 is a left side elevational view thereof;  
FIG. 4 is a front view thereof;  
FIG. 5 is a rear view thereof;  
FIG. 6 is a top plan view thereof; and,  
FIG. 7 is a bottom view thereof.

[56] **References Cited**

**U.S. PATENT DOCUMENTS**

D. 73,185 8/1927 Levernier ..... D6/542  
D. 247,940 5/1978 Tobin ..... D6/542

**1 Claim, 4 Drawing Sheets**



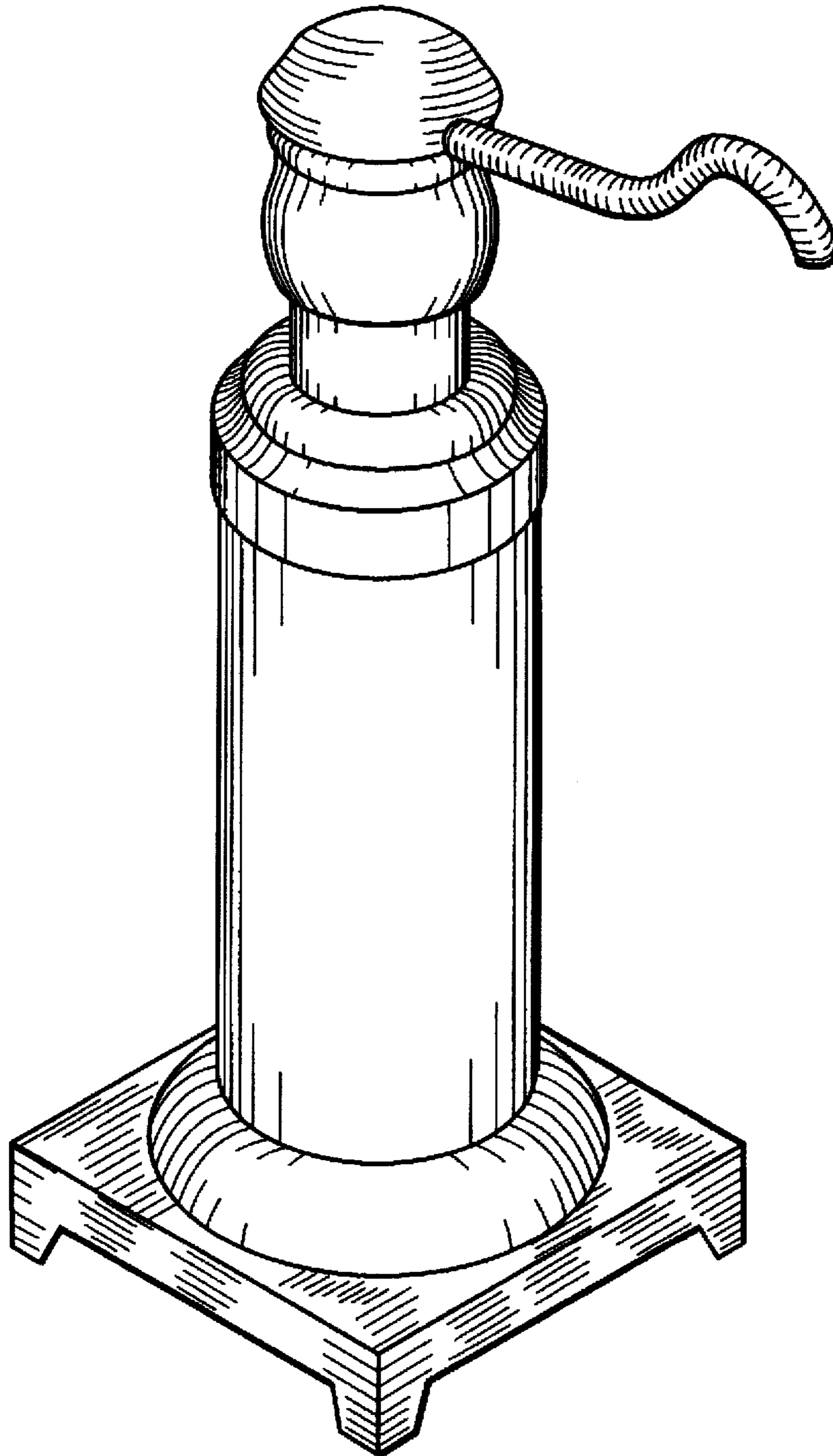


FIG. 1

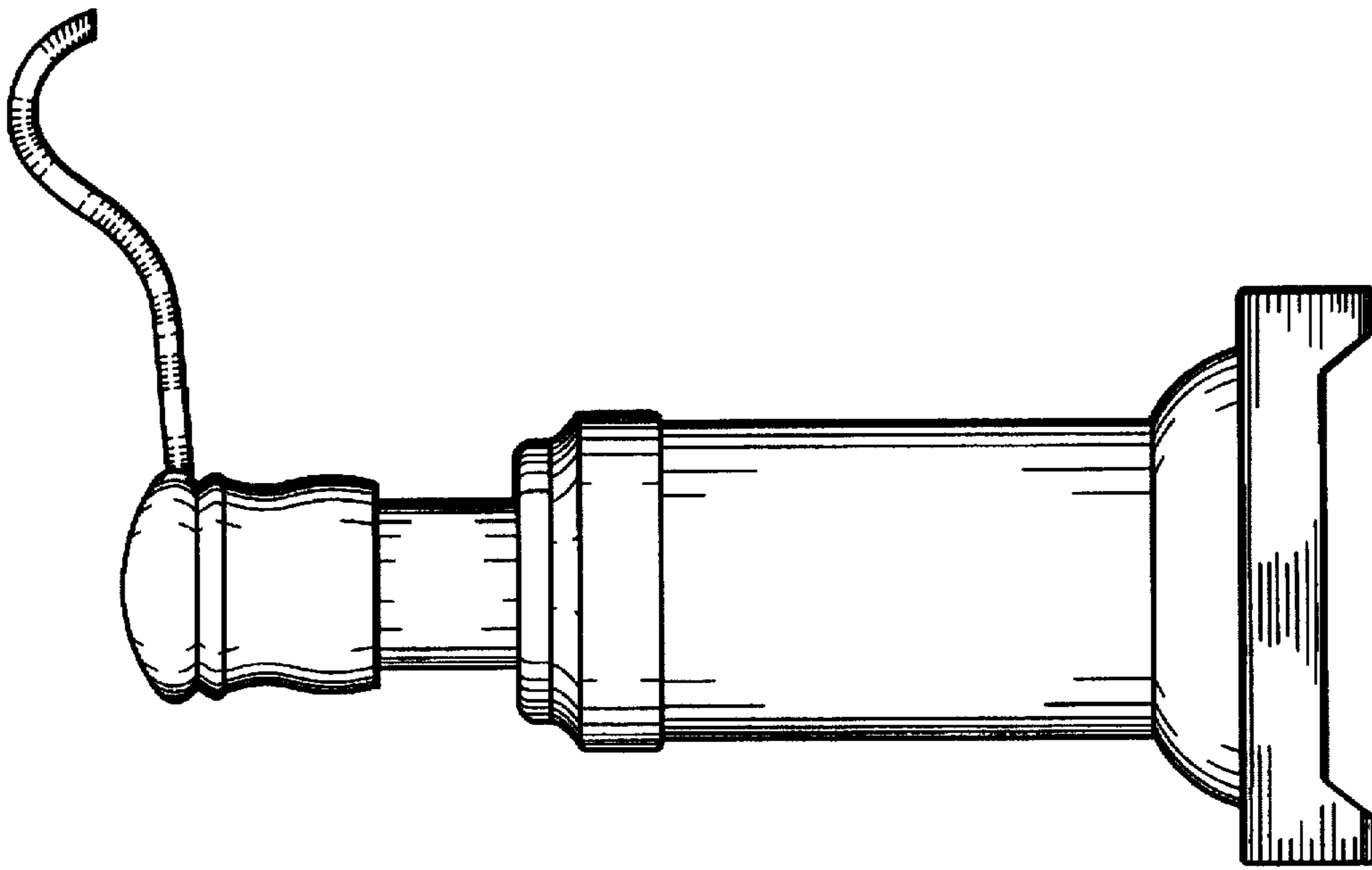


FIG. 3

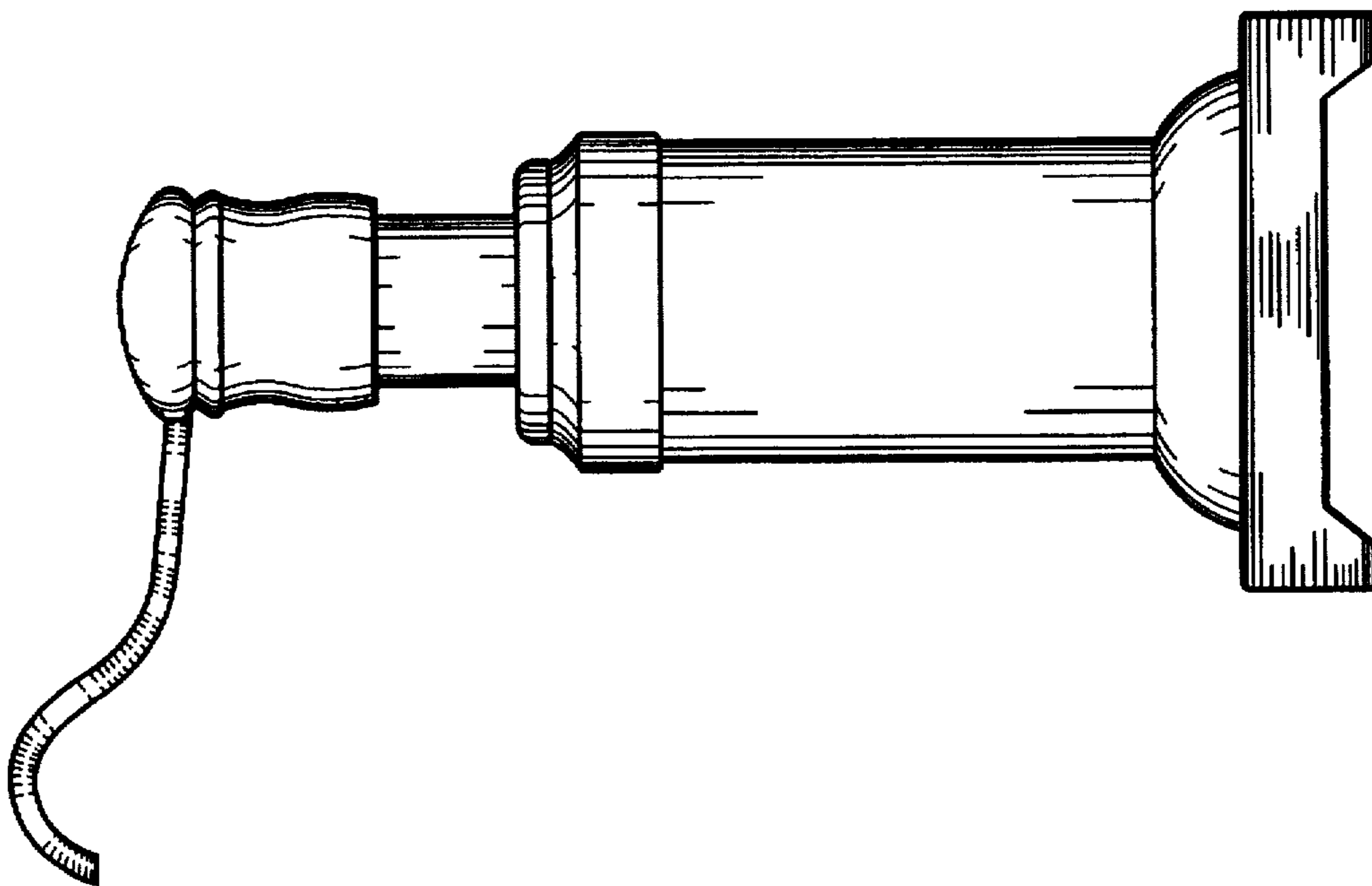


FIG. 2

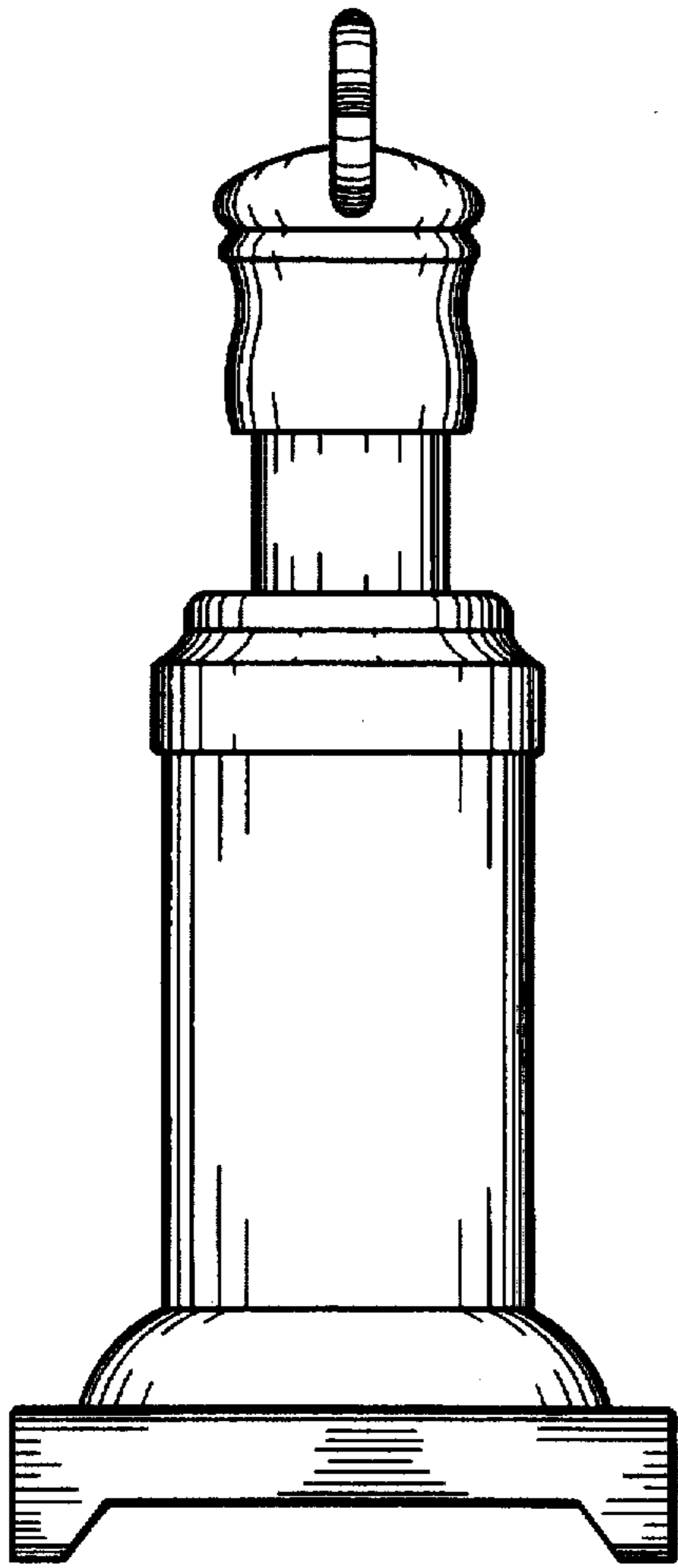


FIG. 4

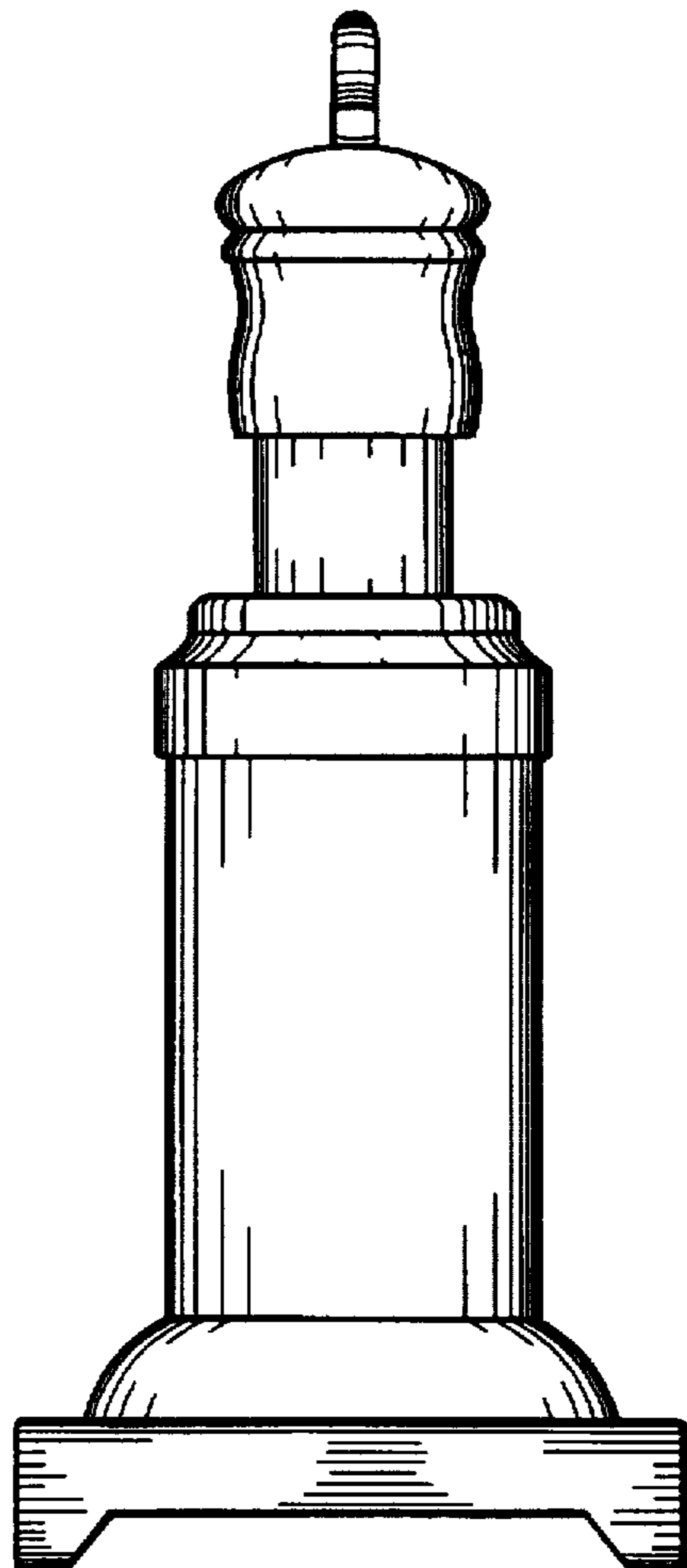


FIG. 5

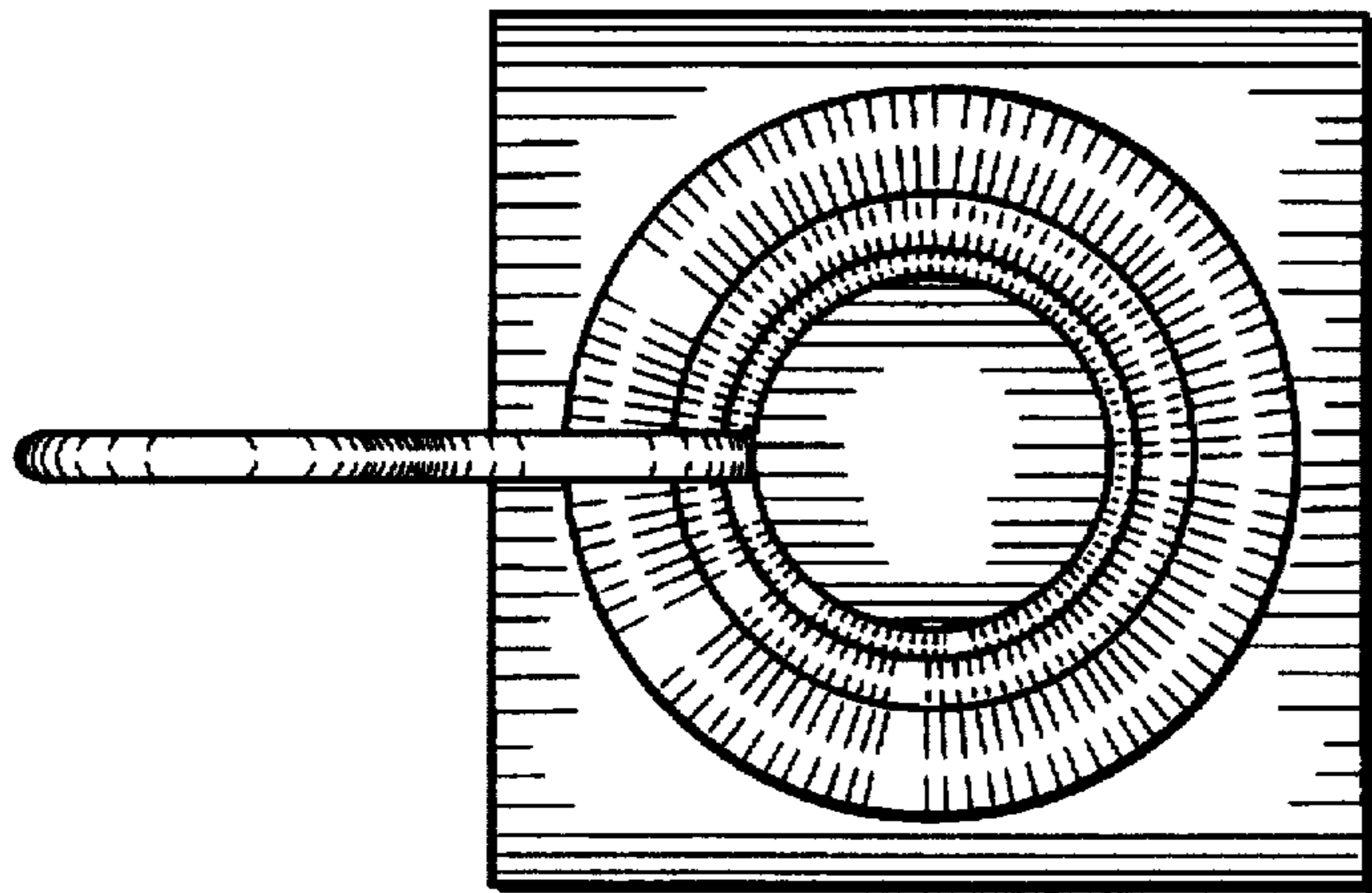


FIG. 6

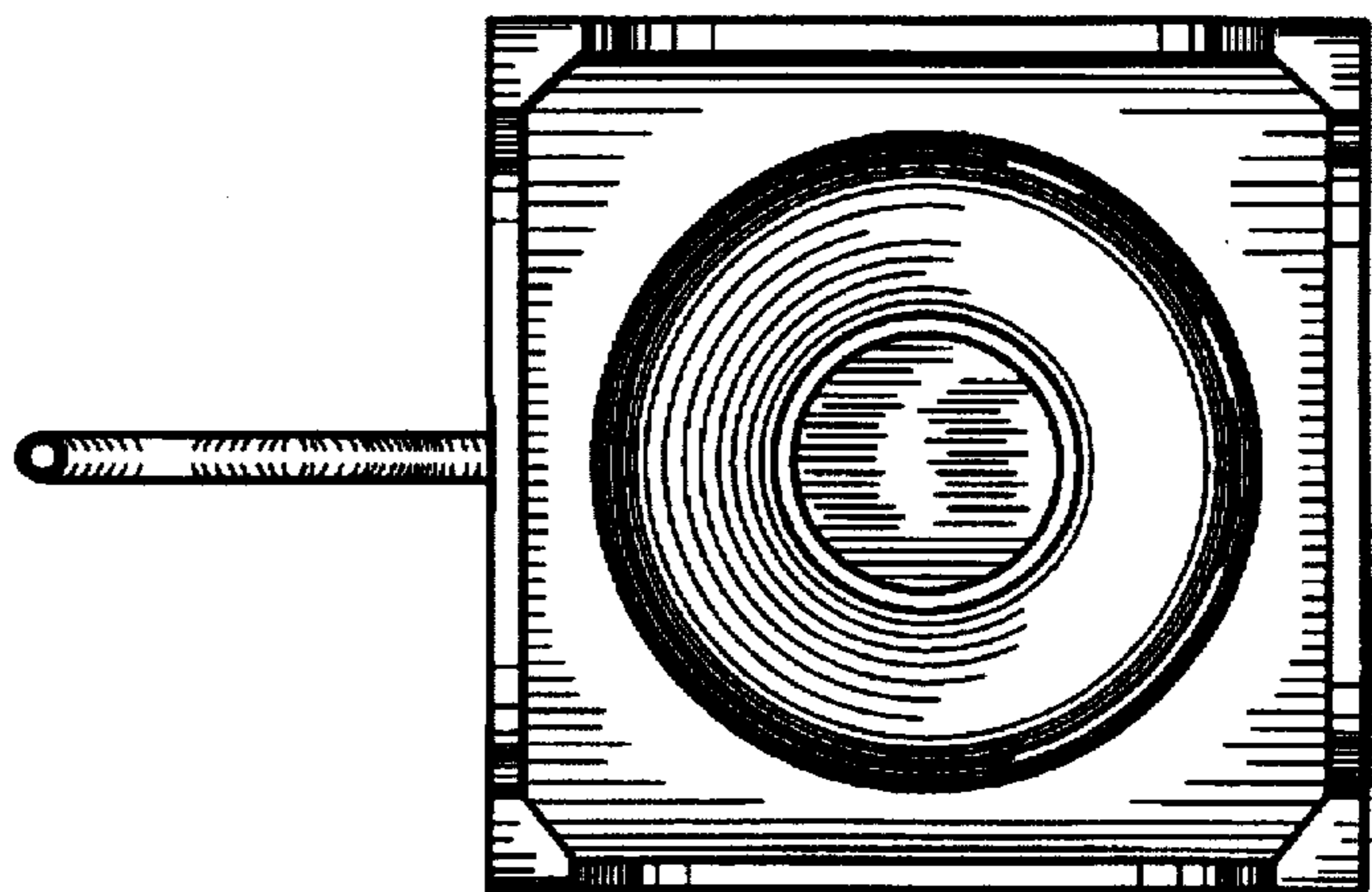


FIG. 7