



US00D385137S

United States Patent [19]

von Seidel

[11] Patent Number: **Des. 385,137**

[45] Date of Patent: ****Oct. 21, 1997**

[54] **SOAP DISH**

[76] Inventor: **Michael von Seidel**, 5 Romajador Avenue, Sandhurst Extension 4, Sandton, Transvaal Province, South Africa

[**] Term: **14 Years**

[21] Appl. No.: **56,640**

[22] Filed: **Jul. 3, 1996**

[30] **Foreign Application Priority Data**

Jan. 3, 1996 [ZA] South Africa F96/0005
Jan. 3, 1996 [ZA] South Africa F96/0006

[51] LOC (6) Cl. **23-02**

[52] U.S. Cl. **D6/536**

[58] Field of Search D6/532, 536, 534, D6/529, 533, 537; D28/76; 4/628, 656; 206/77.1, 565, 559, 557, 561; 248/309 R

[56] **References Cited**

U.S. PATENT DOCUMENTS

D. 154,903 8/1949 Caldwell D6/536
D. 240,784 8/1976 Beauchamp D6/536
D. 278,491 4/1985 Thompson D6/536
D. 286,354 10/1986 Bussell D6/536
1,309,965 7/1919 Schwab 4/628 X
4,277,042 7/1981 Ash, Sr. 248/309 R

4,331,232 5/1982 Larkin 206/77.1
4,621,730 11/1986 Mancusi, Jr. 206/77.1
4,993,546 2/1991 Southard 206/77.1

FOREIGN PATENT DOCUMENTS

1402789 12/1965 France .

Primary Examiner—Susan J. Lucas
Assistant Examiner—Pamela Burgess
Attorney, Agent, or Firm—Arnold, White & Durkee

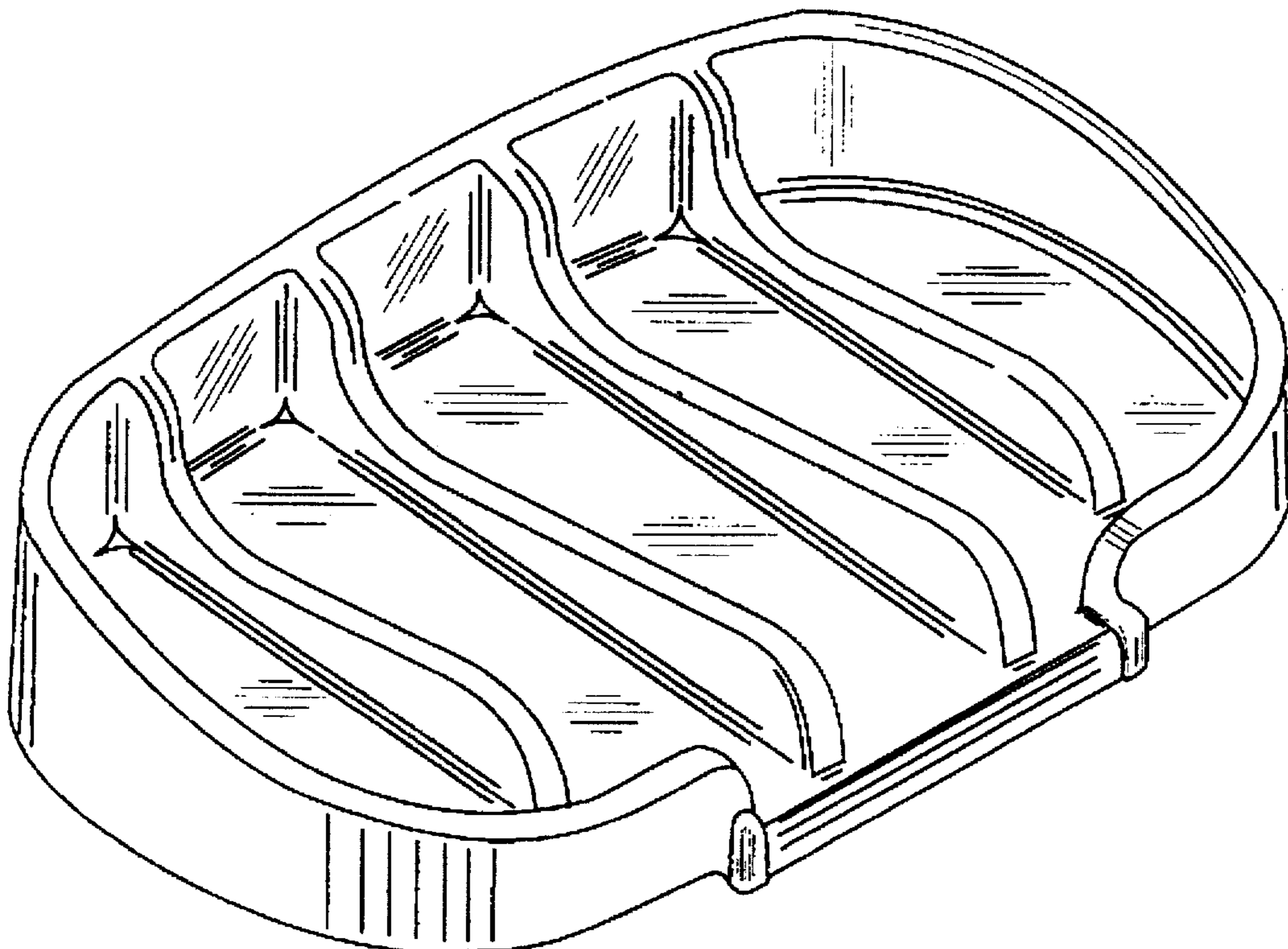
[57] **CLAIM**

The ornamental design for a soap dish, as shown and described.

DESCRIPTION

FIG. 1 is an isometric view of one form of the soap dish; FIG. 2 is a front view thereof; FIG. 3 is an underneath isometric view from the rear; FIG. 4 is a plan view; FIG. 5 is a side view; FIG. 6 is a cross-sectional view taken along line 6—6 in FIG. 4; FIG. 7 is an isometric view of a second embodiment of FIG. 1, the undisclosed underneath isometric view from the rear is basically the same as in FIG. 3; FIG. 8 is a front view thereof; and, FIG. 9 is a plan view thereof.

1 Claim, 5 Drawing Sheets



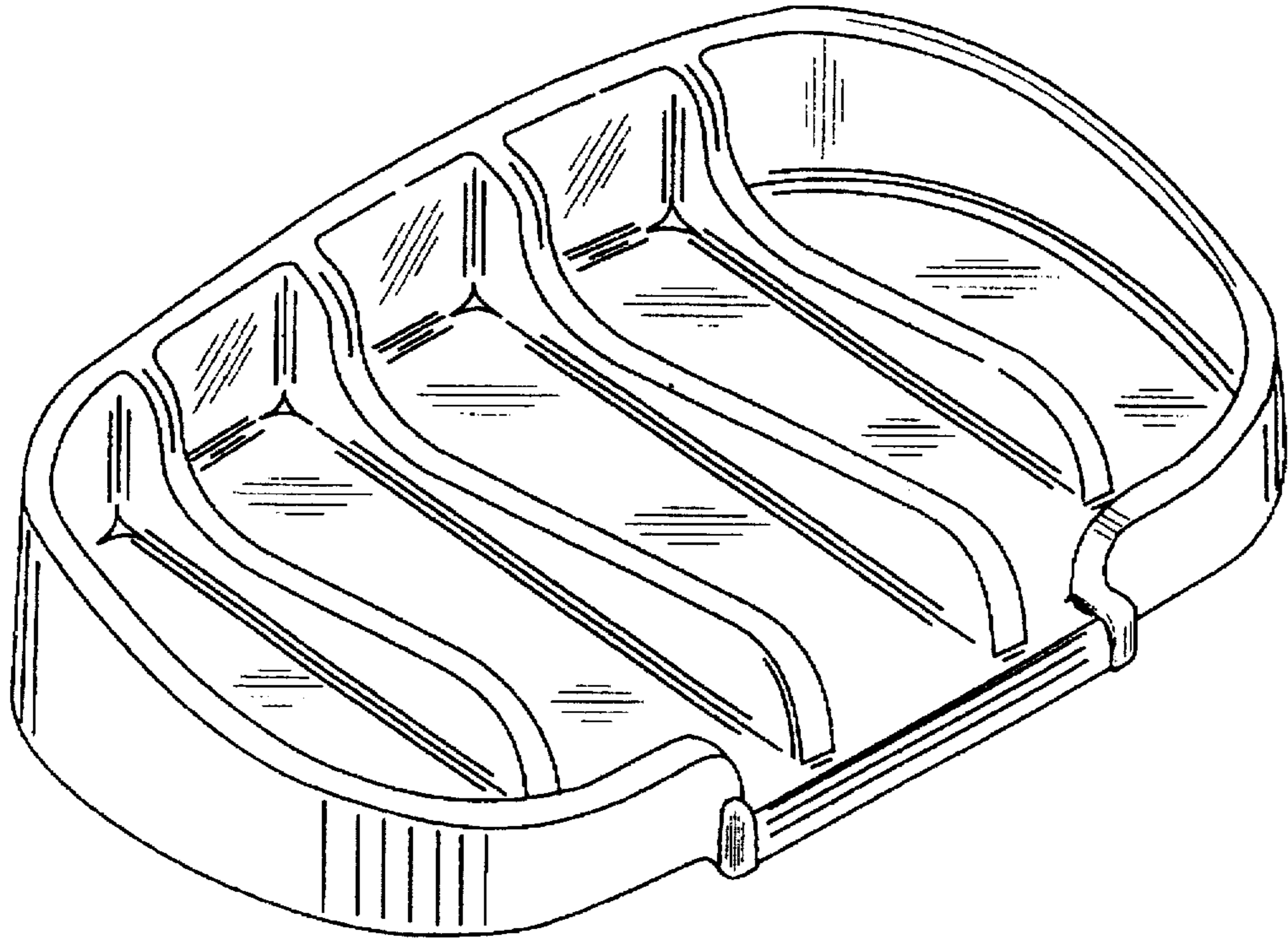


Fig 1

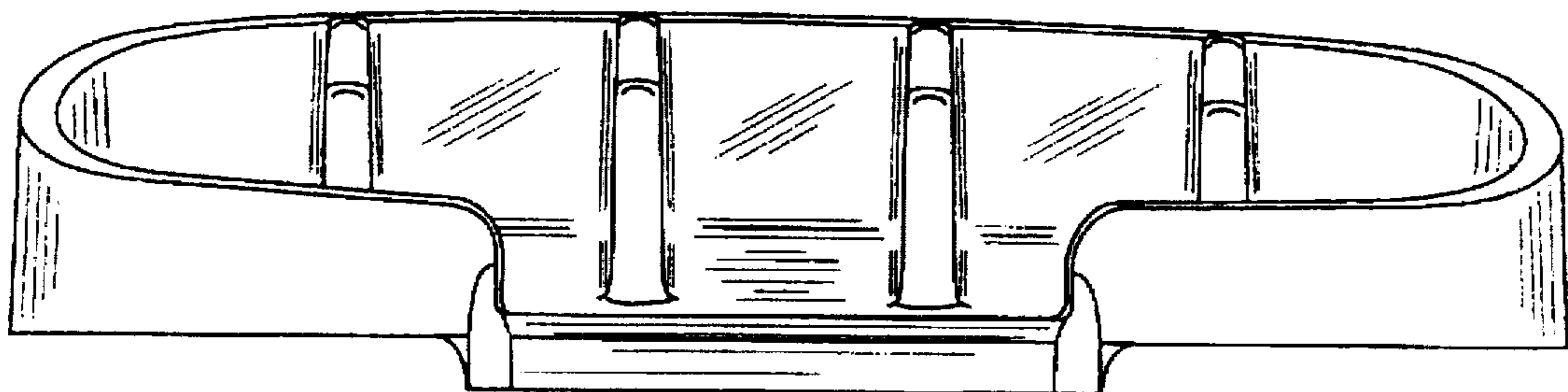


Fig 2

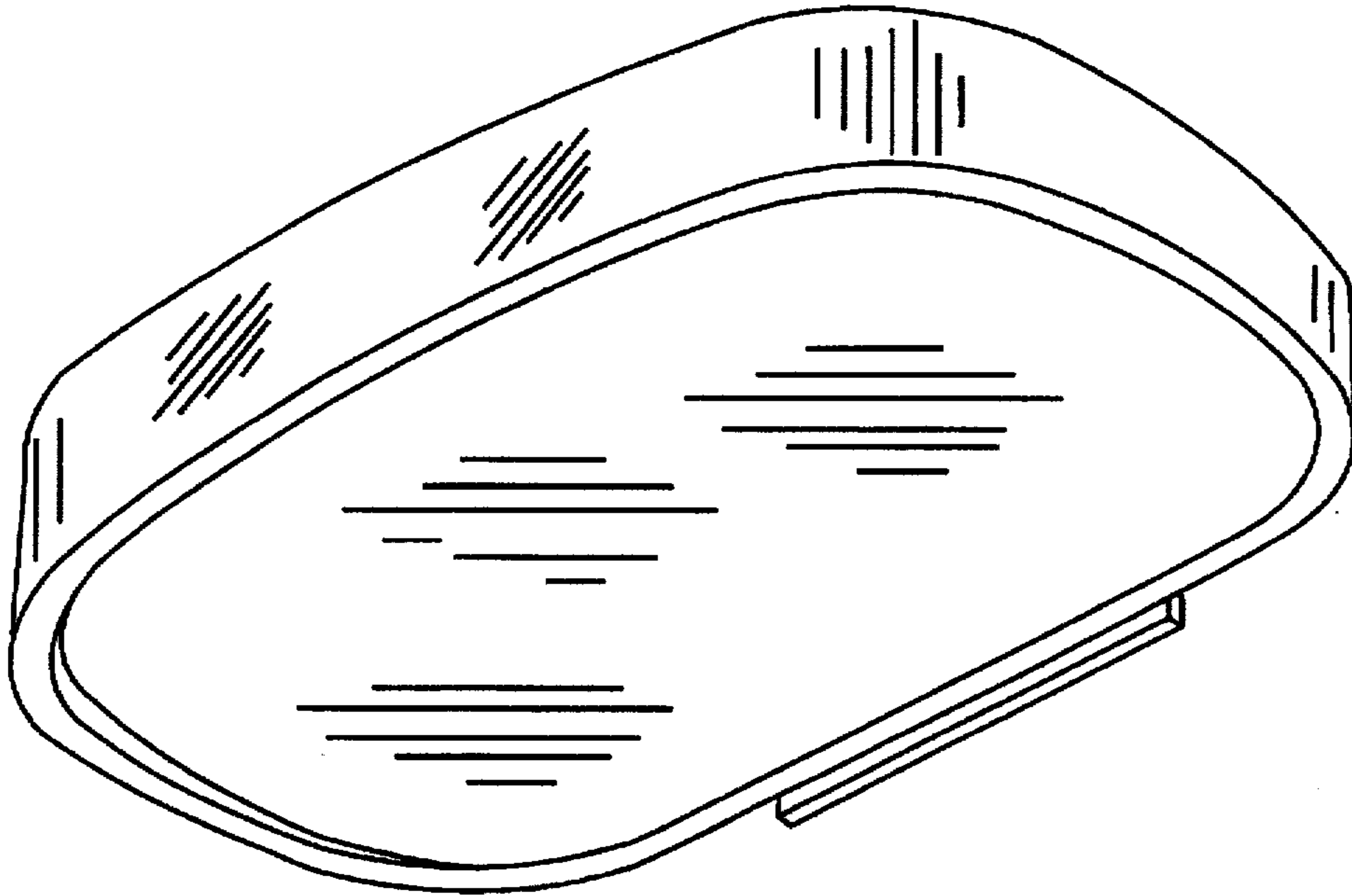


Fig 3

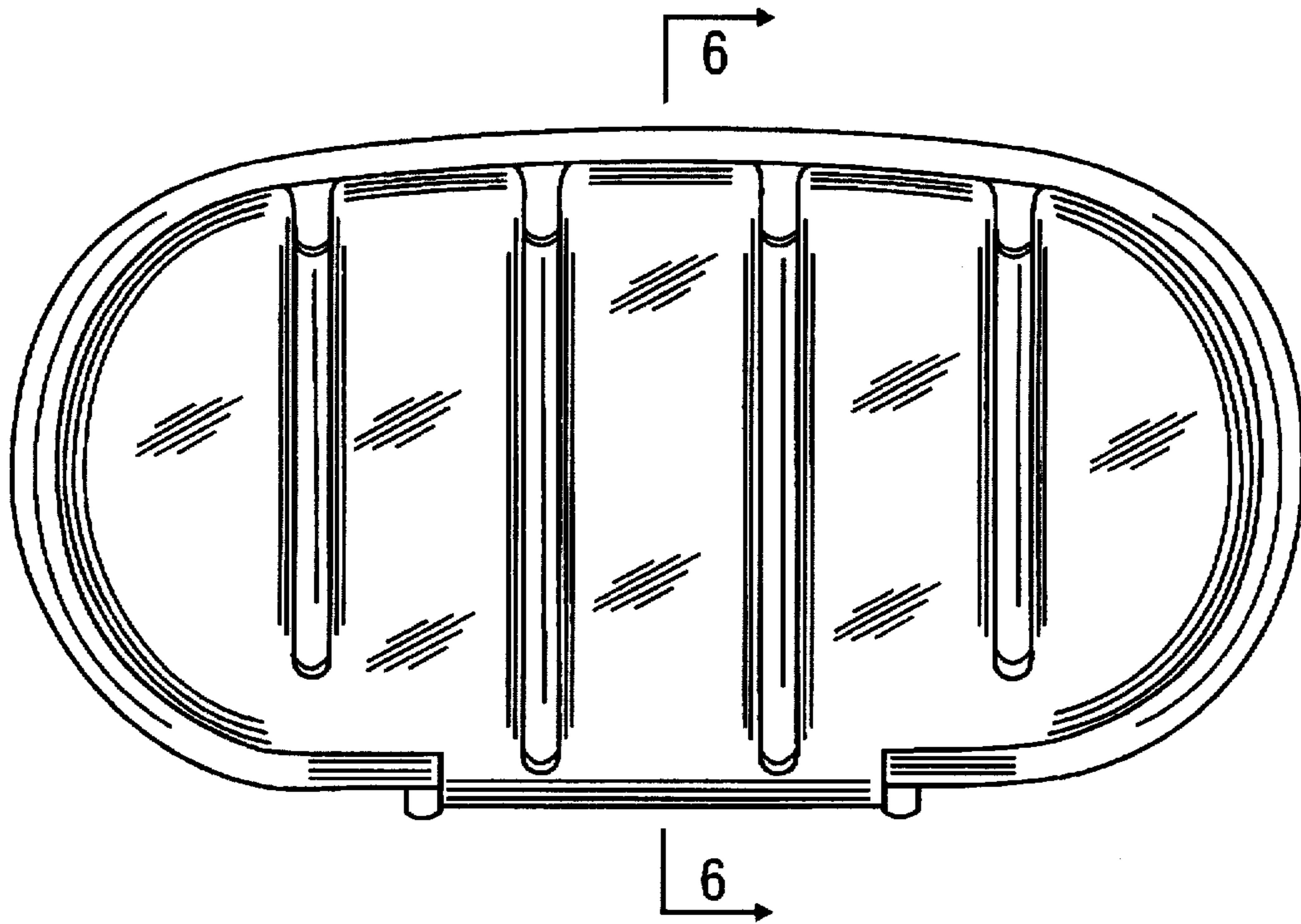


Fig 4

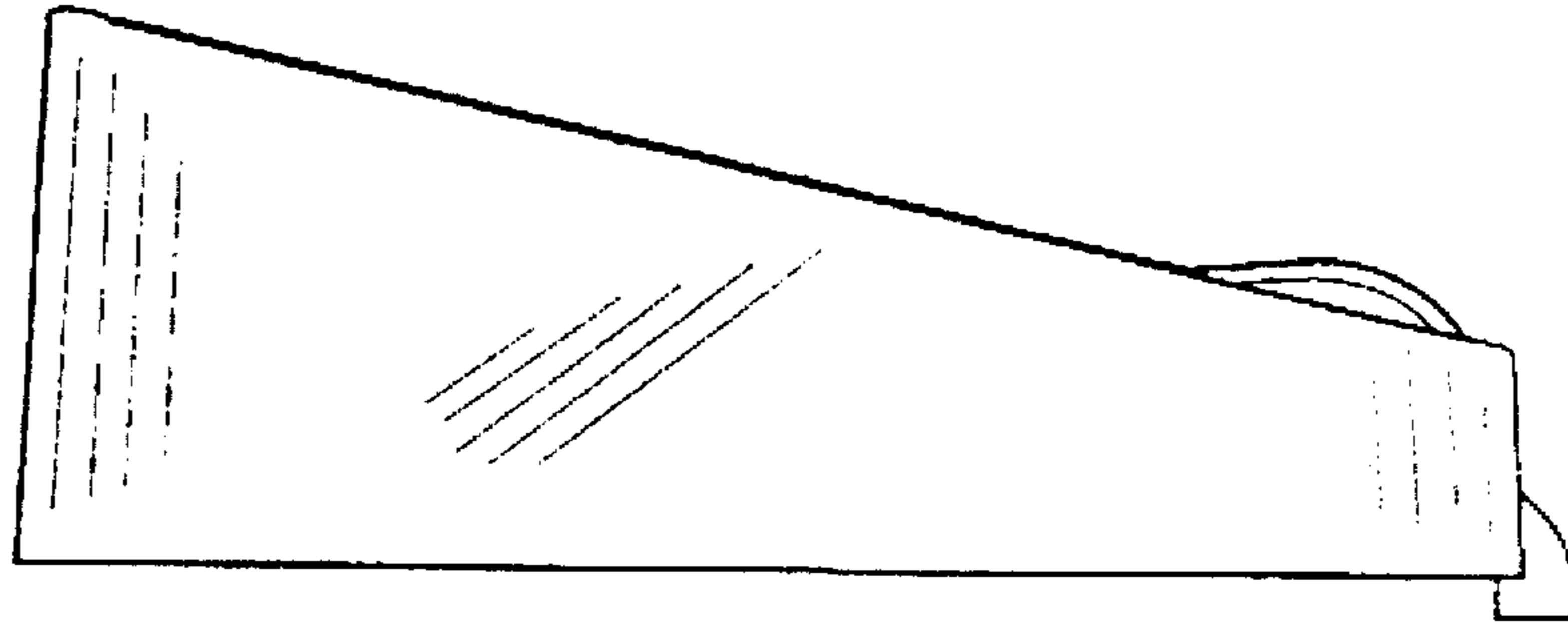


Fig 5

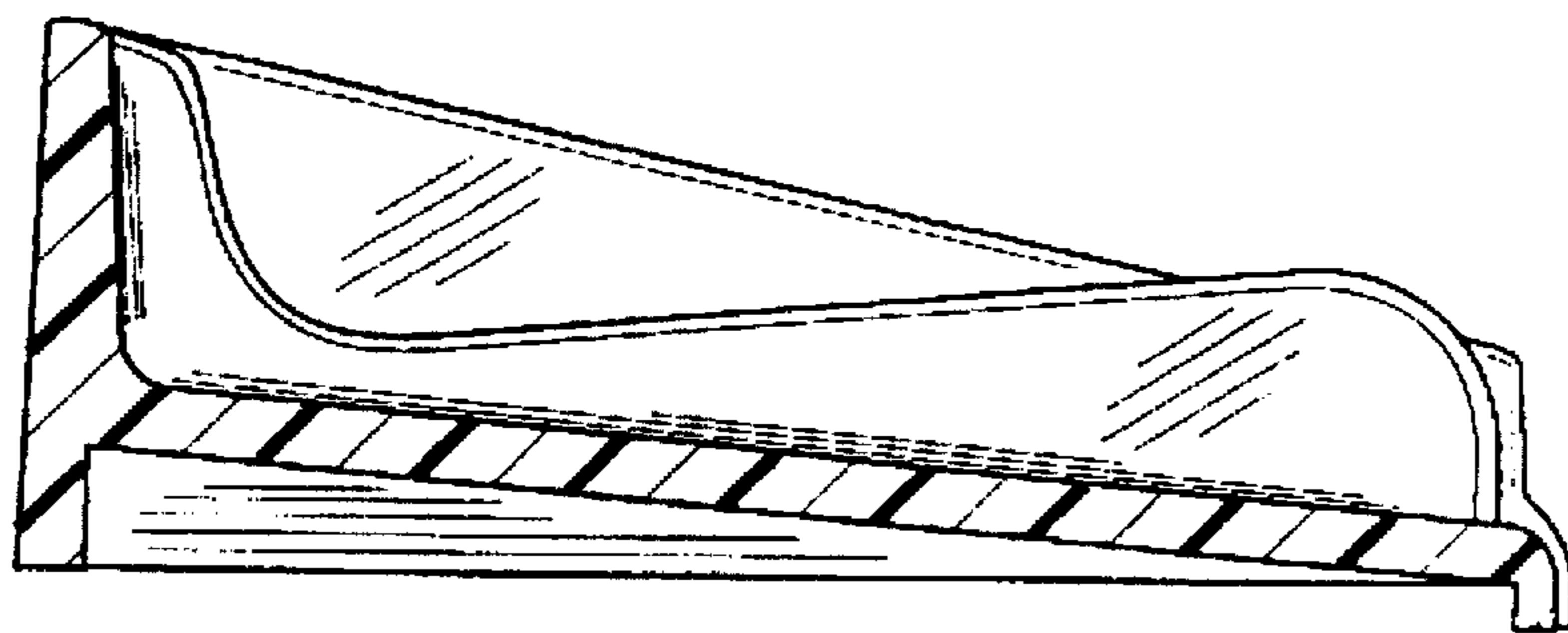


Fig 6

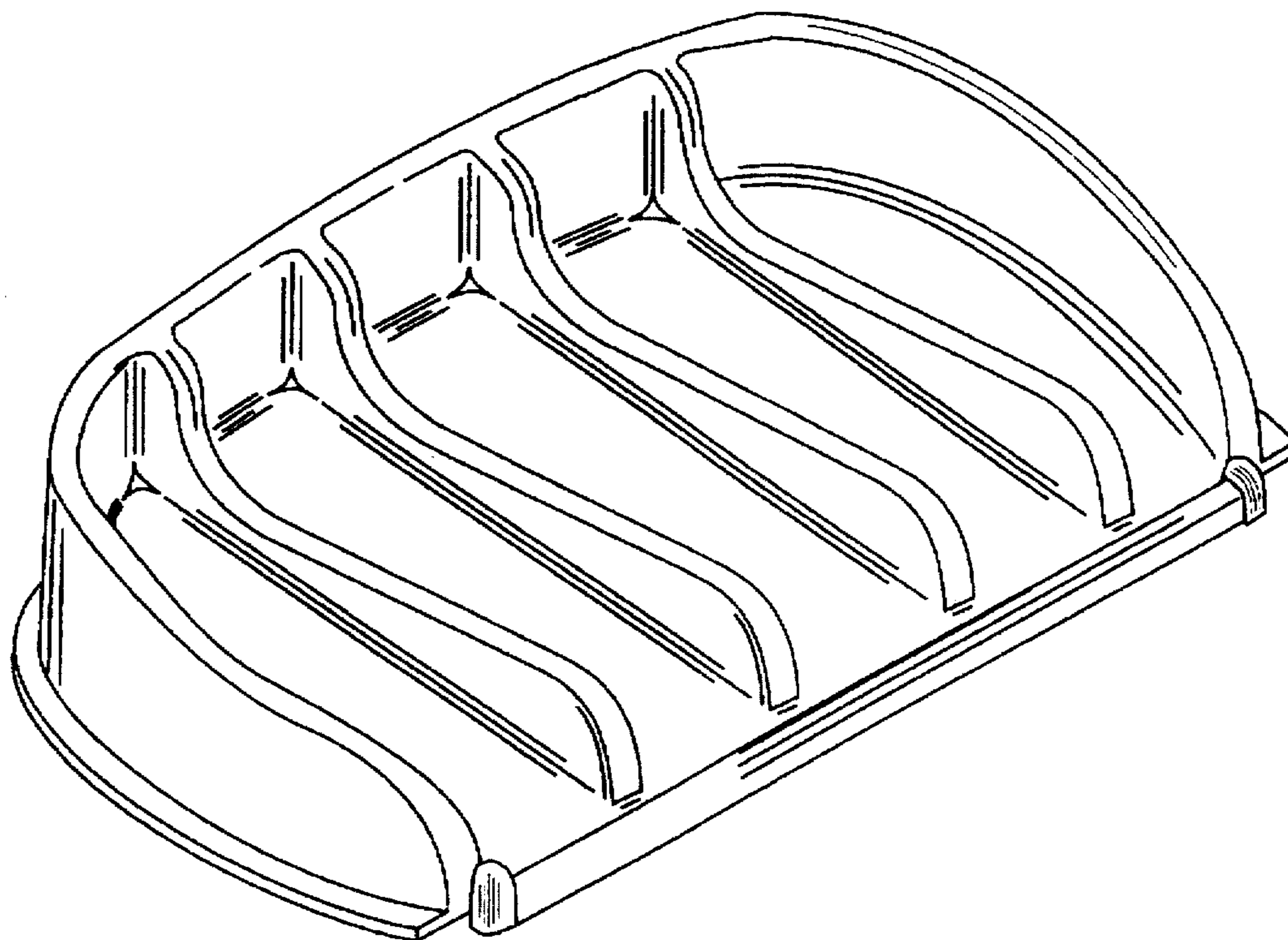


Fig 7

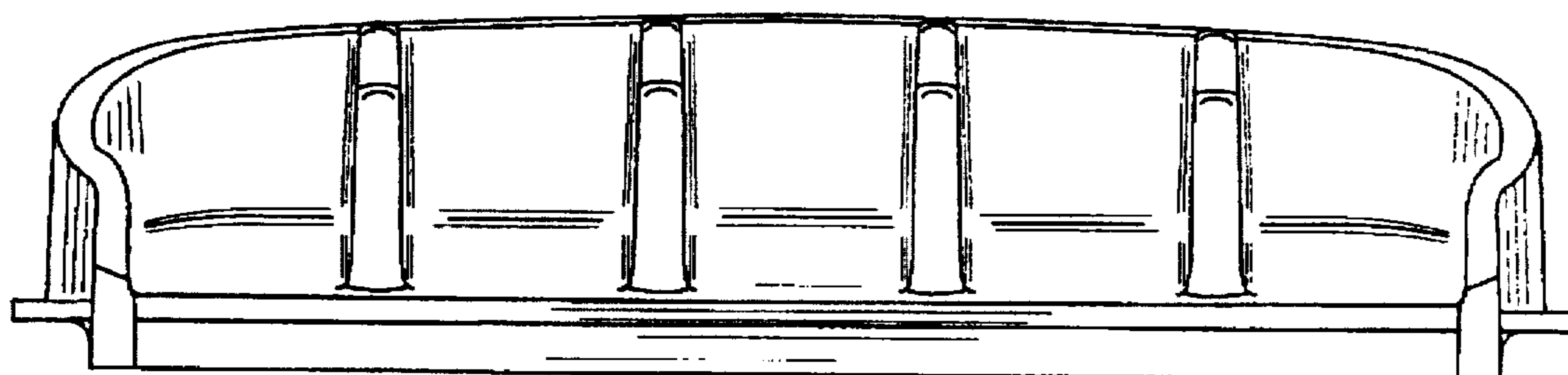


Fig 8

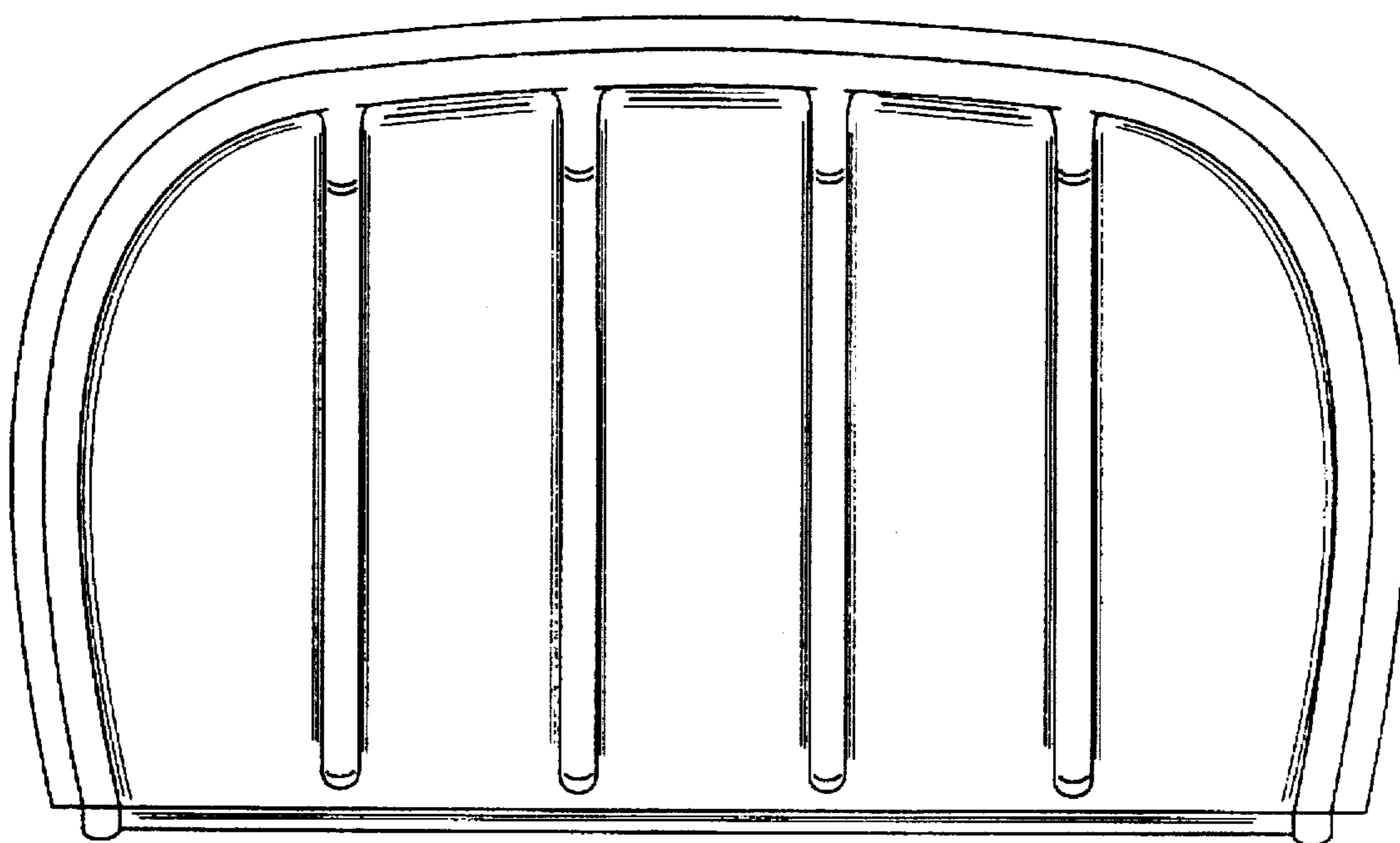


Fig 9