



US00D385136S

United States Patent [19]
Gutke

[11] **Patent Number: Des. 385,136**

[45] **Date of Patent: **Oct. 21, 1997**

[54] **BATHROOM ORGANIZER TREE**

4,667,822 5/1987 Coopmans 206/373
5,526,943 6/1996 Thompson 211/87

[76] **Inventor: Harvey Gutke, 8937 Cameo Way,
Sandy, Utah 84093**

Primary Examiner—Susan J. Lucas
Assistant Examiner—Pamela Burgess
Attorney, Agent, or Firm—Thorpe, North & Western, L.L.P.

[**] **Term: 14 Years**

[57] **CLAIM**

[21] **Appl. No.: 56,520**

The ornamental design for a bathroom organizer tree, as shown and described.

[22] **Filed: Jul. 1, 1996**

[51] **LOC (6) Cl. 06-02**

[52] **U.S. Cl. D6/524**

[58] **Field of Search** D6/567, 570, 571,
D6/512, 515, 553, 518, 524; 211/13, 50,
59.2, 88, 87; 221/22, 33, 45, 92, 282, 283;
206/373

DESCRIPTION

FIG. 1 is a front perspective view of a bathroom organizer tree according to the present design, the broken lines showing articles in phantom are for illustrative purposes only and form no part of the claimed design;

FIG. 2 is a top plan view thereof;

FIG. 3 is a left side elevation view thereof, the right side elevation view thereof being a mirror image of FIG. 3; and, FIG. 4 is a front elevation view thereof.

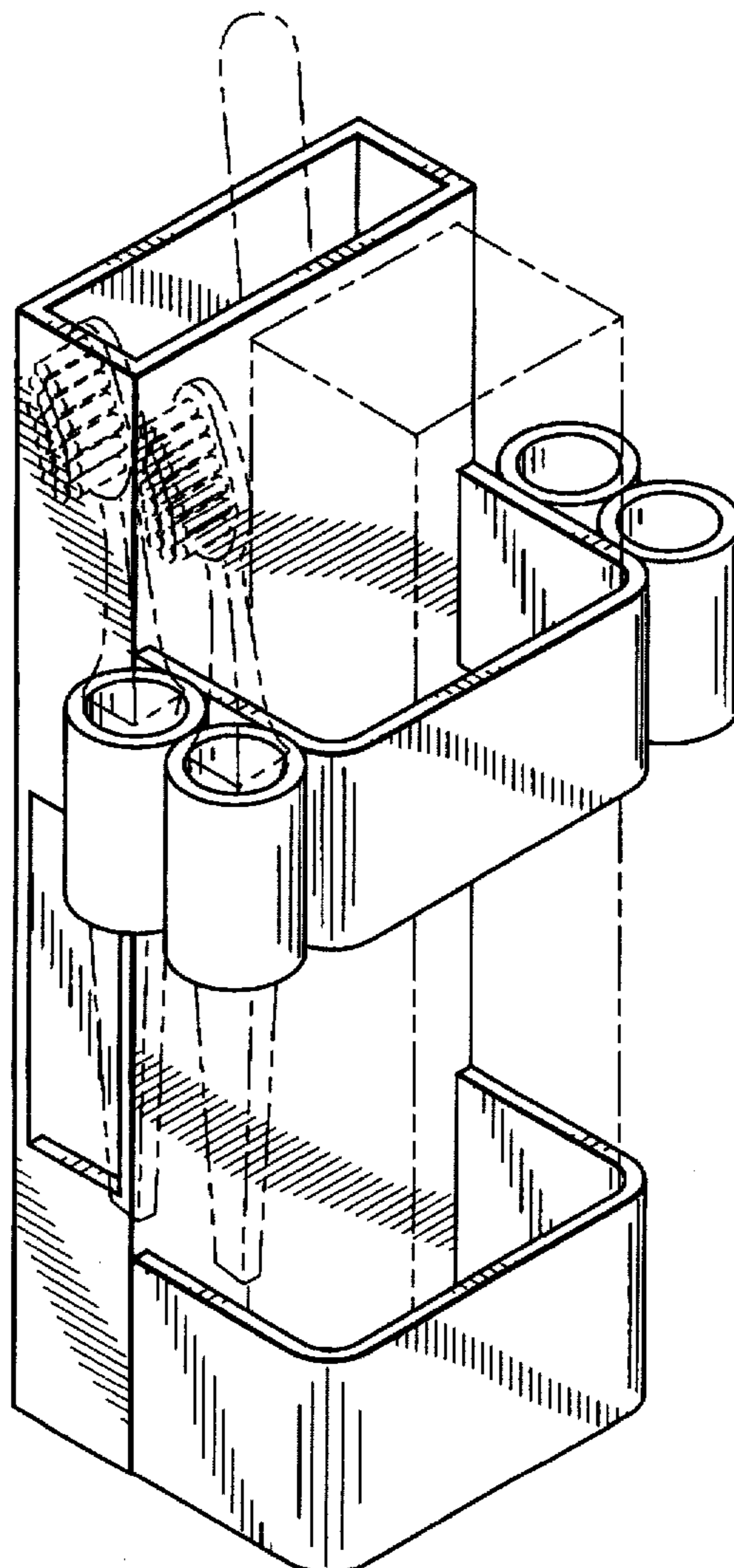
It is understood that the undisclosed bottom is flat and plain.

[56] **References Cited**

U.S. PATENT DOCUMENTS

D. 337,016 7/1993 Fortescne D6/567
4,033,650 7/1977 Alissandratos D6/524 X

1 Claim, 2 Drawing Sheets



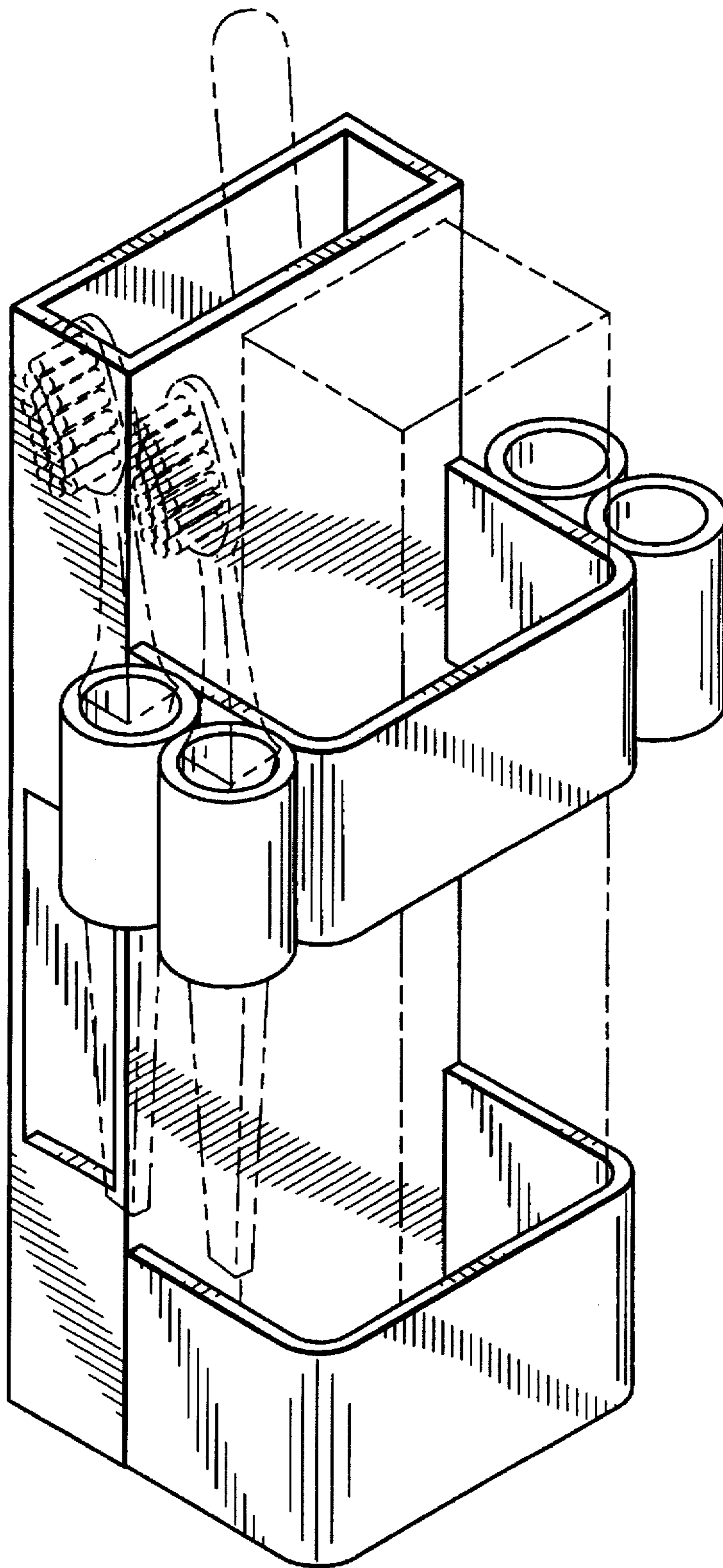


Fig. 1

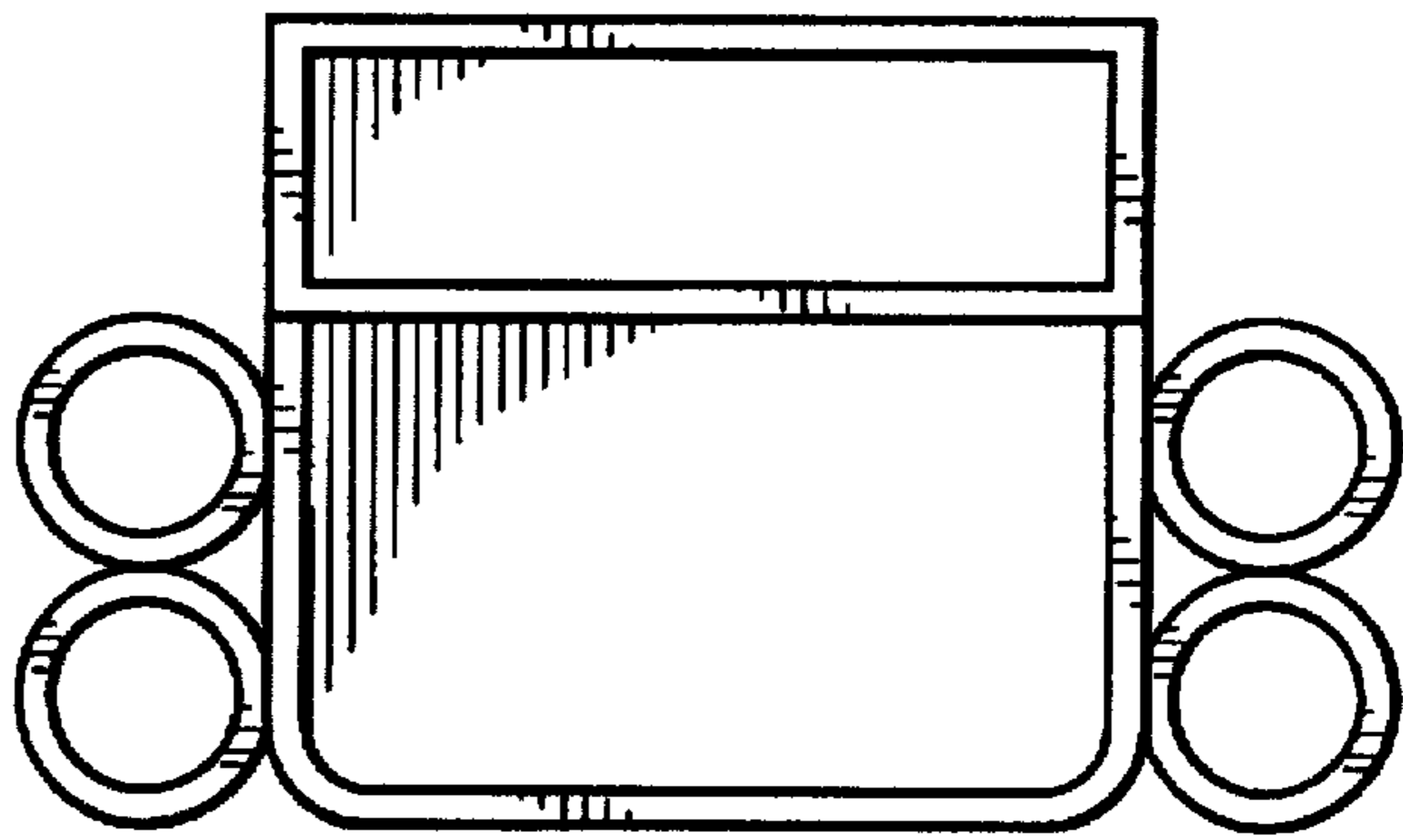


Fig. 2

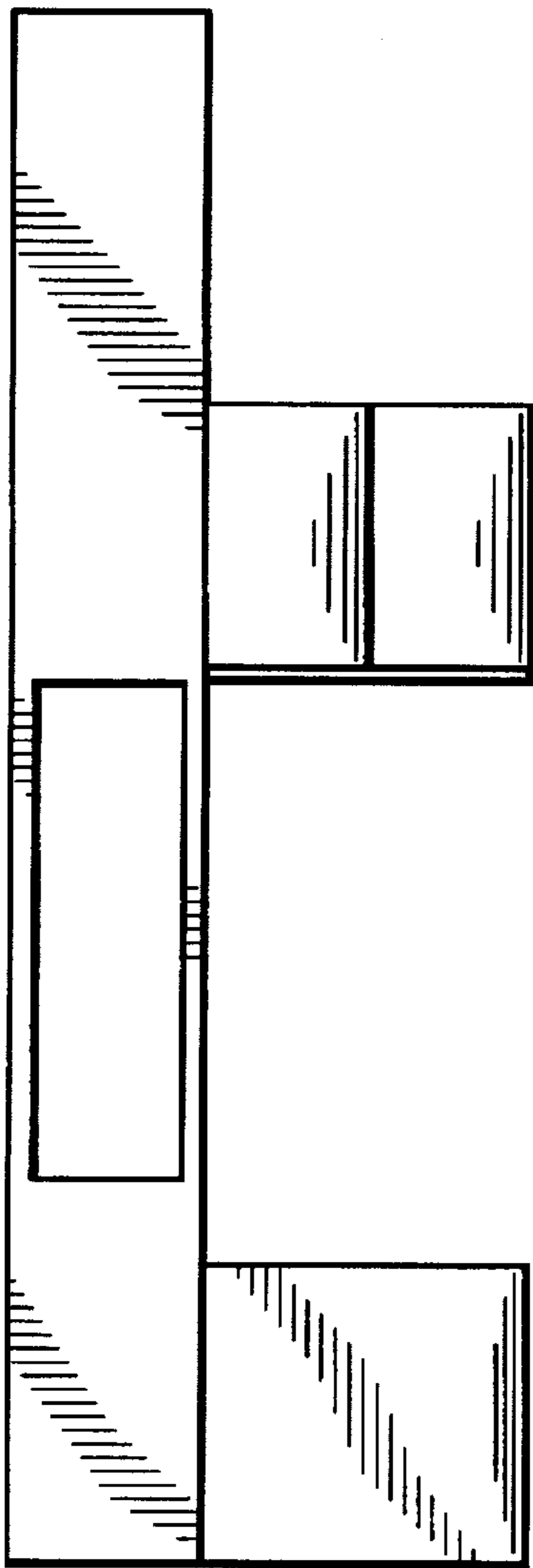


Fig. 3

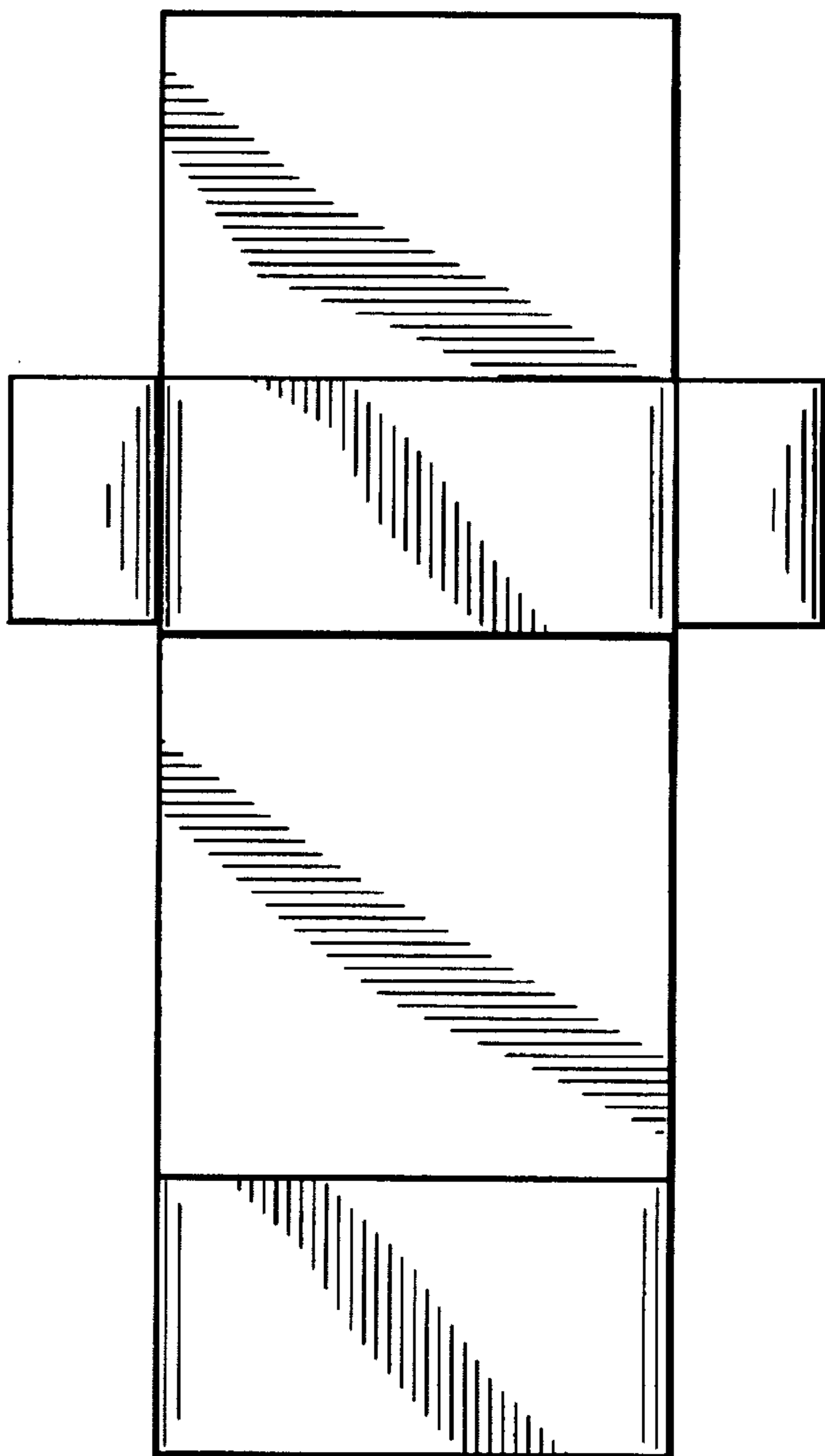


Fig. 4