



US00D385131S

United States Patent [19] Lopez

[11] Patent Number: Des. 385,131
[45] Date of Patent: **Oct. 21, 1997

[54] MULTIPLE DISPLAY UNIT WITH BASKET

[75] Inventor: Roberto Lopez, Miami, Fla.

[73] Assignee: the Wm. Wrigley Jr. Company,
Chicago, Ill.

[**] Term: 14 Years

[21] Appl. No.: 46,013

[22] Filed: Nov. 6, 1995

[51] LOC (6) Cl. 20-03

[52] U.S. Cl. D6/462; D20/10; D20/42

[58] Field of Search D20/10, 43, 41,
D20/44, 19; D6/403, 405, 458, 462, 464;
40/607, 649; 211/181, 119; 248/175

[56] **References Cited**

U.S. PATENT DOCUMENTS

D. 123,807 12/1940 Heckman D6/462

D. 279,150 6/1985 Belotta D6/462
2,724,511 11/1955 Morgan 211/181
5,215,199 6/1993 Bejarano 211/181 X

Primary Examiner—Susan J. Lucas
Assistant Examiner—Jennifer A. Register

[57] **CLAIM**

The ornamental design for a multiple display unit with basket, as shown and described.

DESCRIPTION

FIG. 1 is a front perspective view of the multiple display unit with basket;

FIG. 2 is a back perspective view thereof;

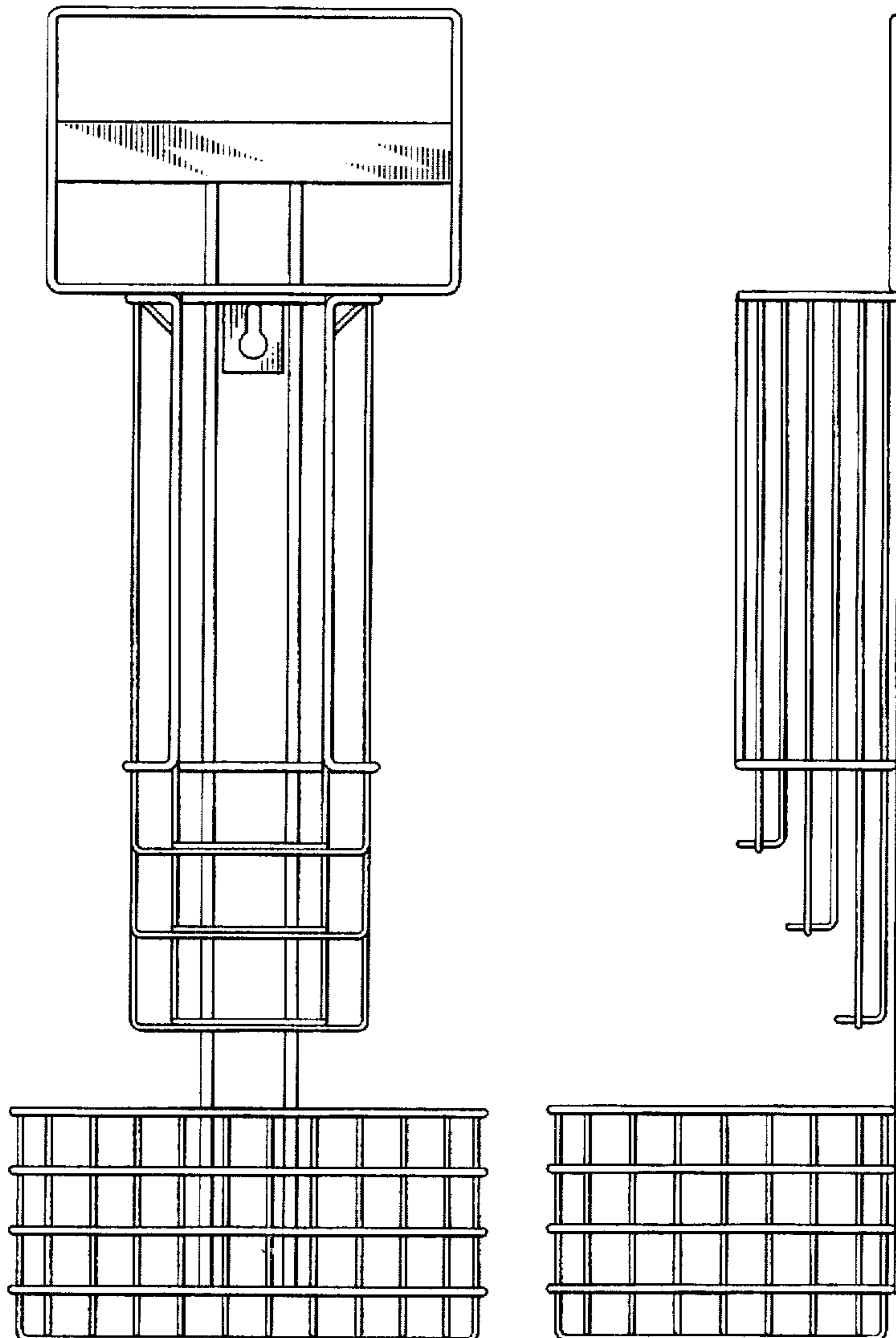
FIG. 3 is a left side elevational view thereof;

FIG. 4 is a right side elevational view thereof;

FIG. 5 is a top plan view thereof; and,

FIG. 6 is a bottom plan view thereof.

1 Claim, 6 Drawing Sheets



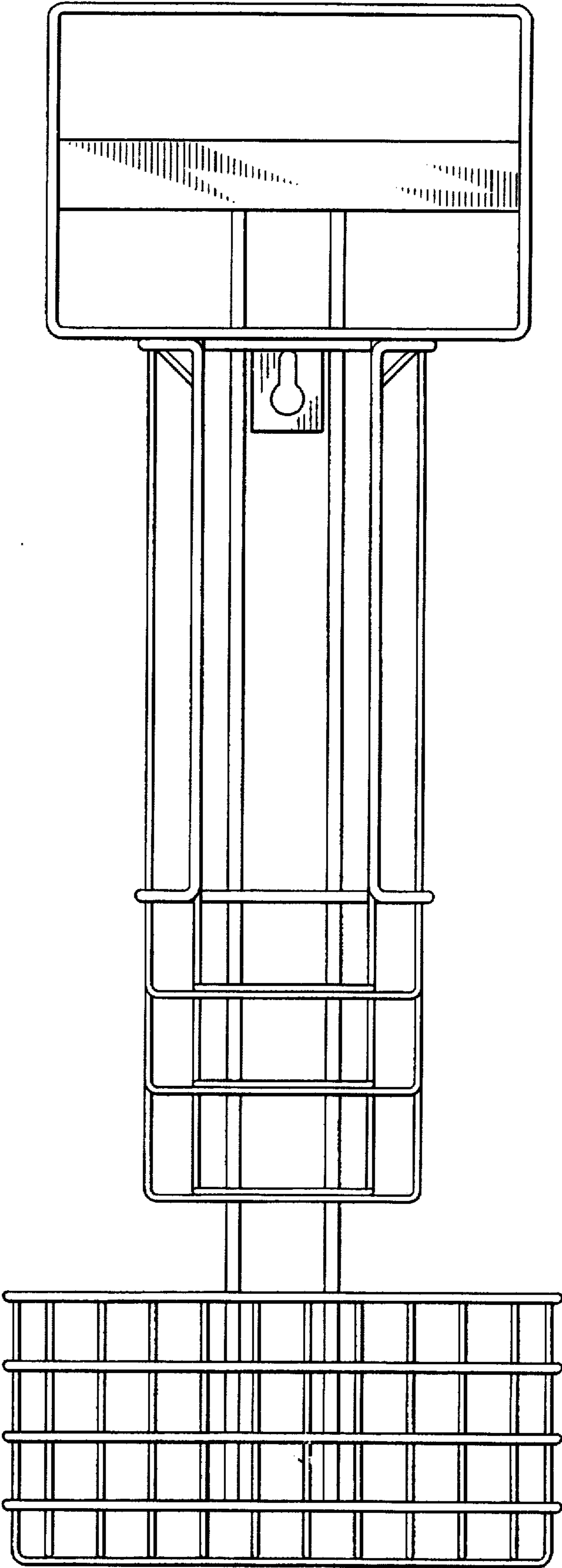


FIG.1

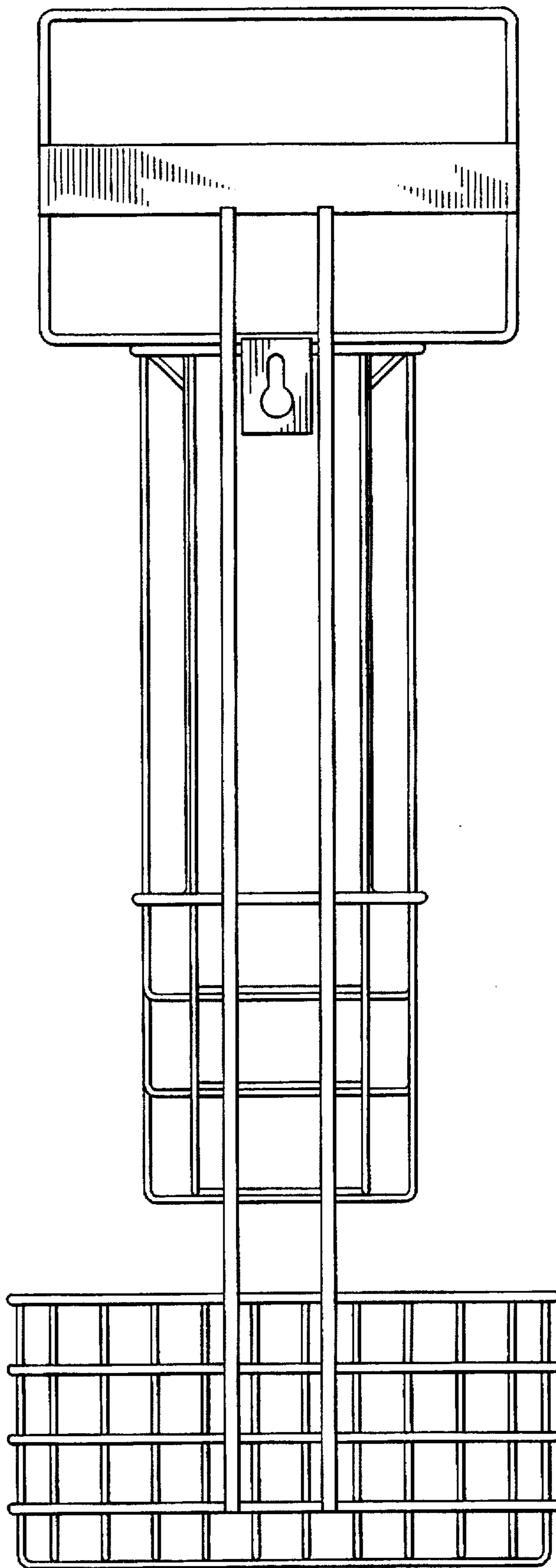


FIG.2

FIG. 3

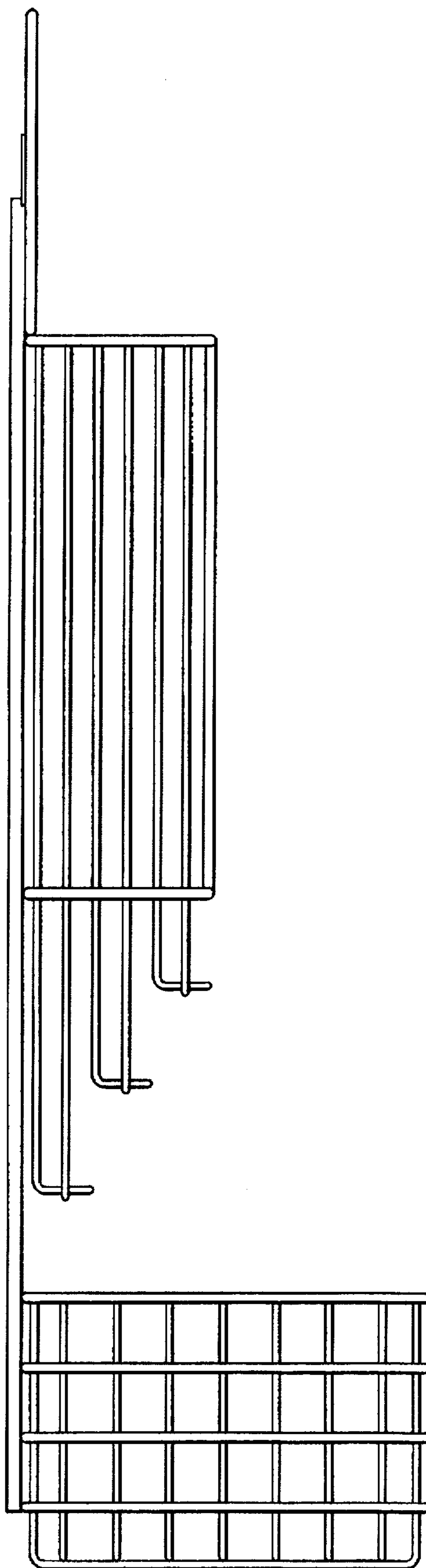
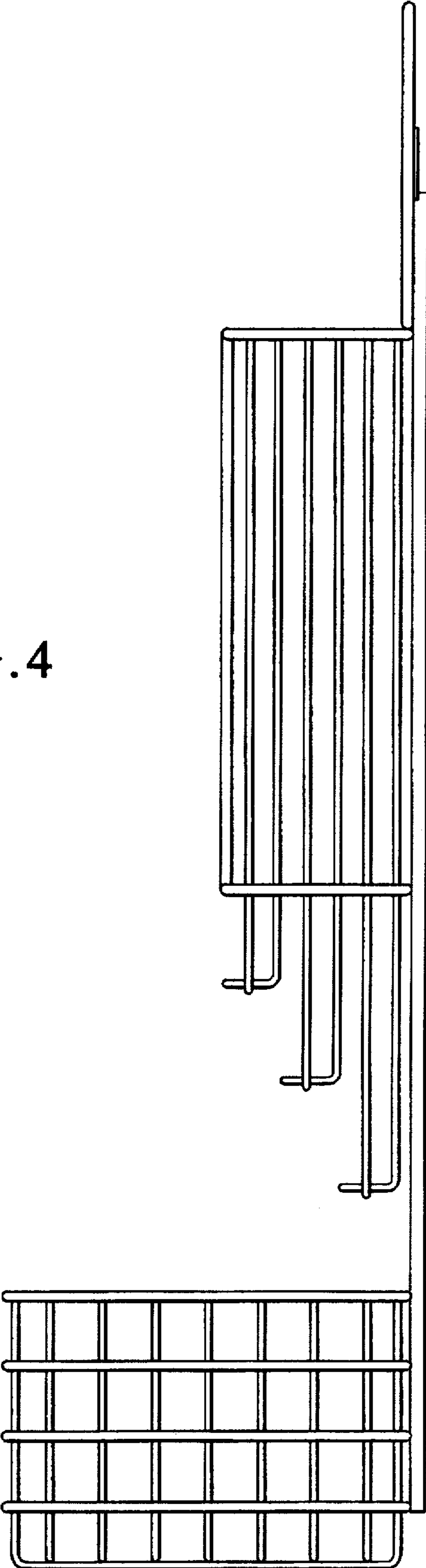


FIG. 4



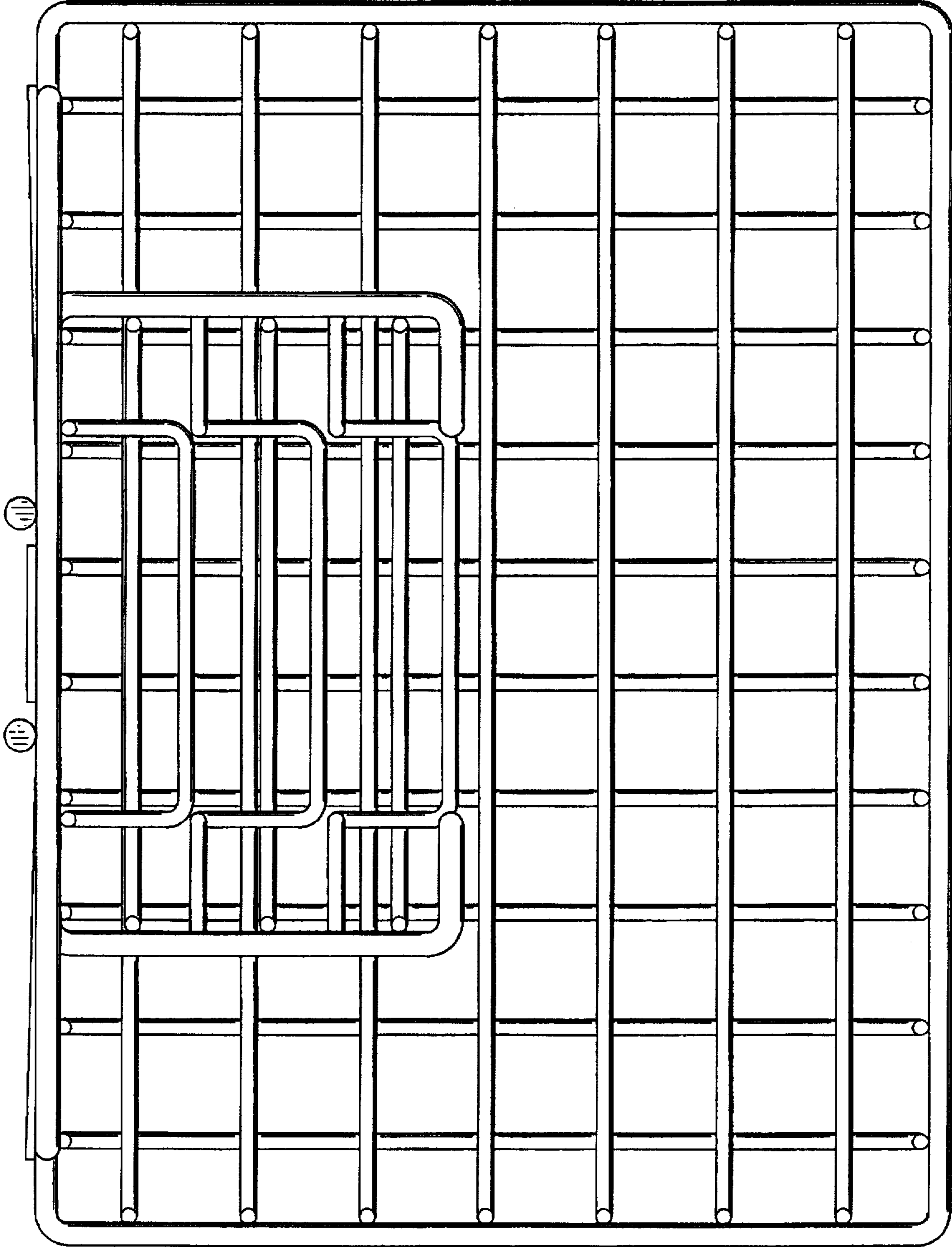


FIG. 5

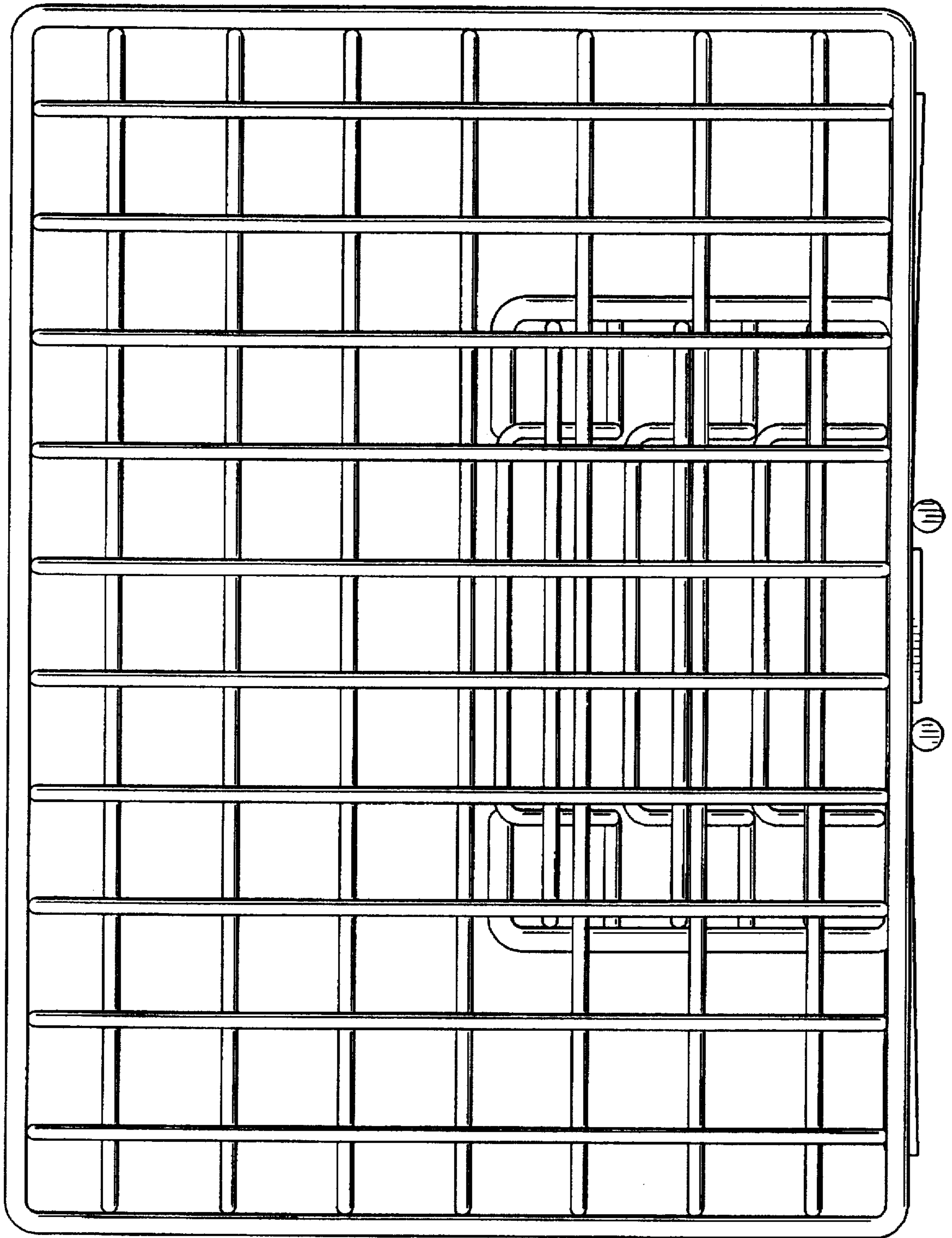


FIG. 6