



US00D385127S

**United States Patent** [19]  
**Affleck**

[11] **Patent Number: Des. 385,127**  
[45] **Date of Patent: \*\*Oct. 21, 1997**

[54] **HOCKEY STICK RACK**  
[75] **Inventor: Robert Bruce Affleck, Chesterfield, Mo.**  
[73] **Assignee: Sports Racks, Inc., Chesterfield, Mo.**  
[\*\*] **Term: 14 Years**  
[21] **Appl. No.: 52,798**  
[22] **Filed: Apr. 9, 1996**  
[51] **LOC (6) Cl. .... 20-02**  
[52] **U.S. Cl. .... D6/412**  
[58] **Field of Search .... D6/412, 411, 413, D6/415, 396; 211/190, 189, 191, 192, 195, 196, 13, 30, 33**

D. 362,755 10/1995 Ehrmann ..... D6/569  
4,577,767 3/1986 Geschwender ..... 211/190

*Primary Examiner*—Susan J. Lucas  
*Assistant Examiner*—Pamela Burgess  
*Attorney, Agent, or Firm*—Calfee Halter & Griswold LLP

[57] **CLAIM**

The ornamental design for a hockey stick rack, as shown and described.

**DESCRIPTION**

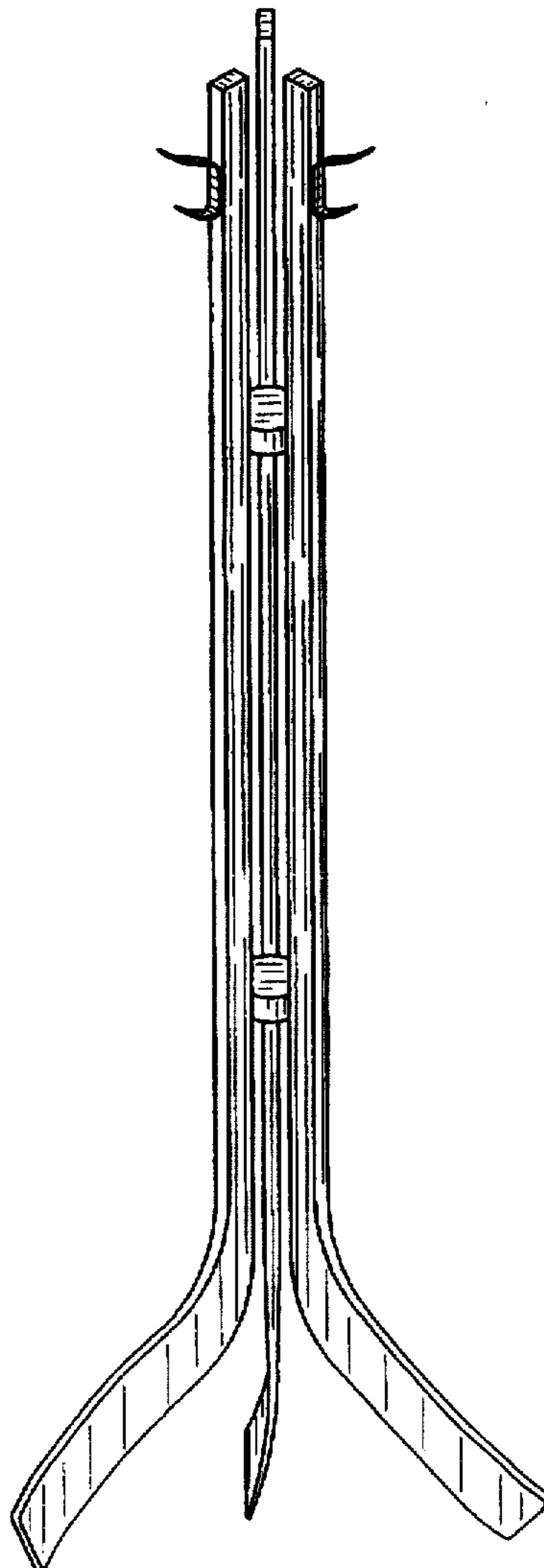
FIG. 1 is a perspective view of the hockey stick rack of the present invention;  
FIG. 2 is a side view of the hockey stick rack of the present invention;  
FIG. 3 is a side view of the hockey stick rack of the present invention;  
FIG. 4 is a top view of the hockey stick rack of the present invention; and,  
FIG. 5 is a bottom view of the hockey stick rack of the present invention.

[56] **References Cited**

**U.S. PATENT DOCUMENTS**

D. 44,711 9/1913 Roberts ..... D6/411  
D. 243,804 3/1977 Underwood et al. .... D6/412

**1 Claim, 4 Drawing Sheets**



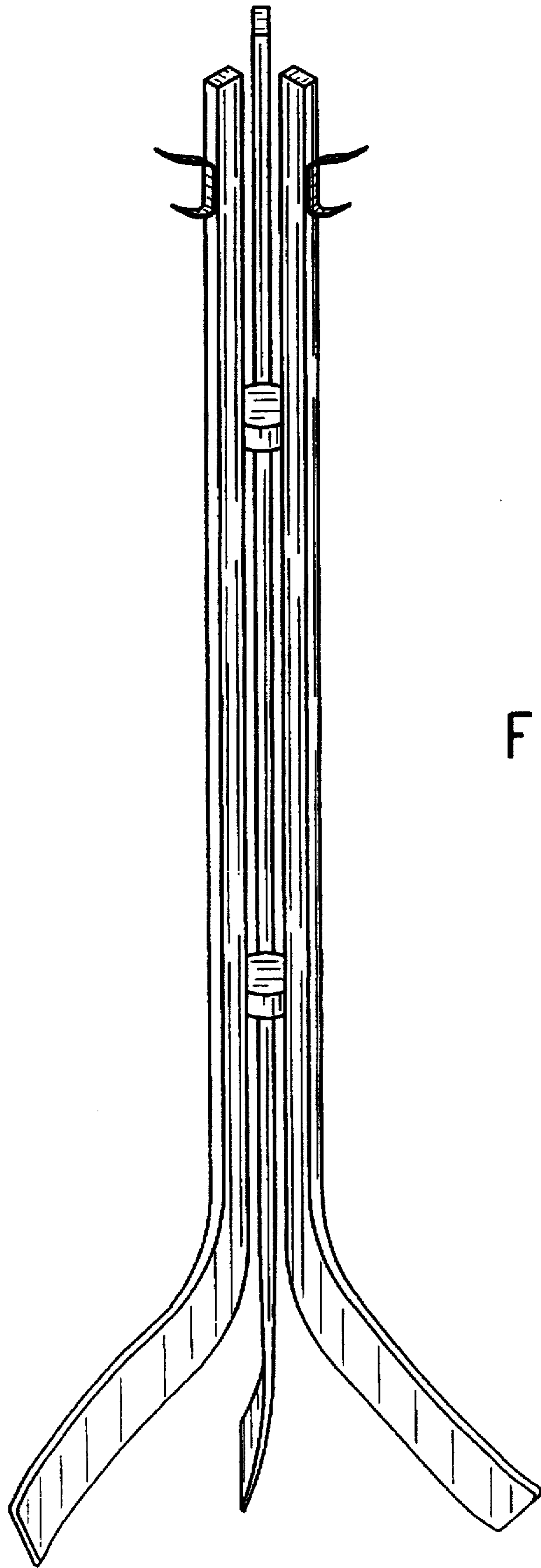


FIG. 1

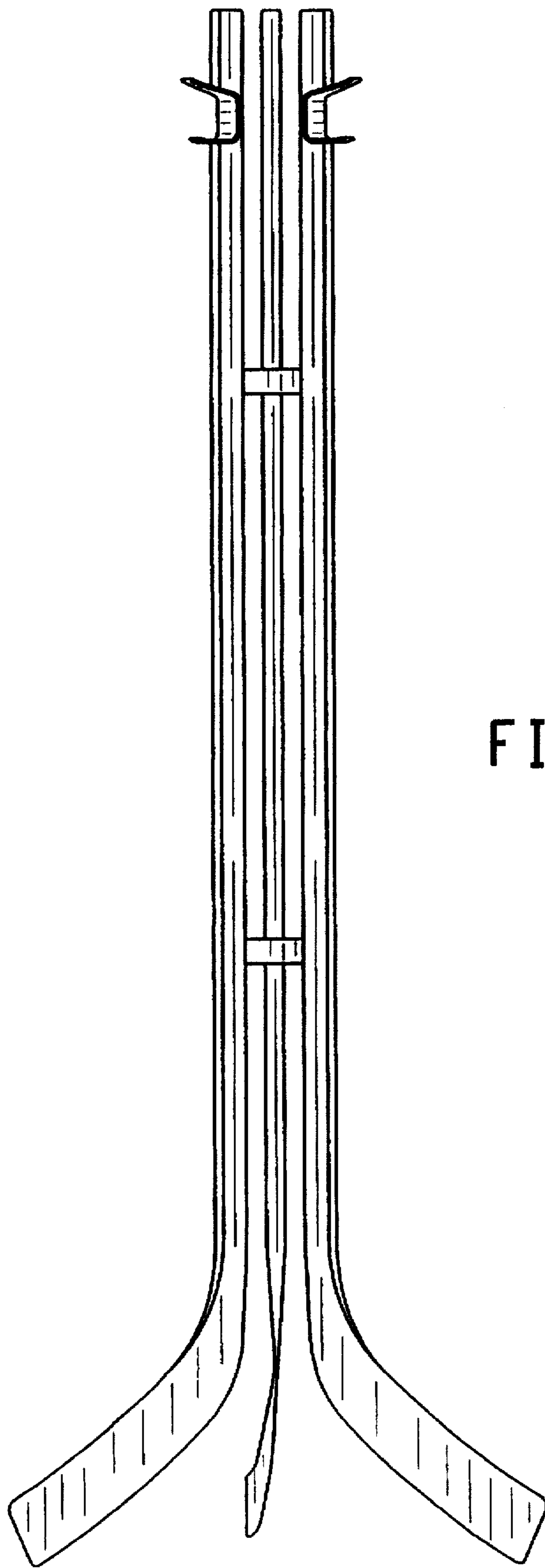


FIG. 2

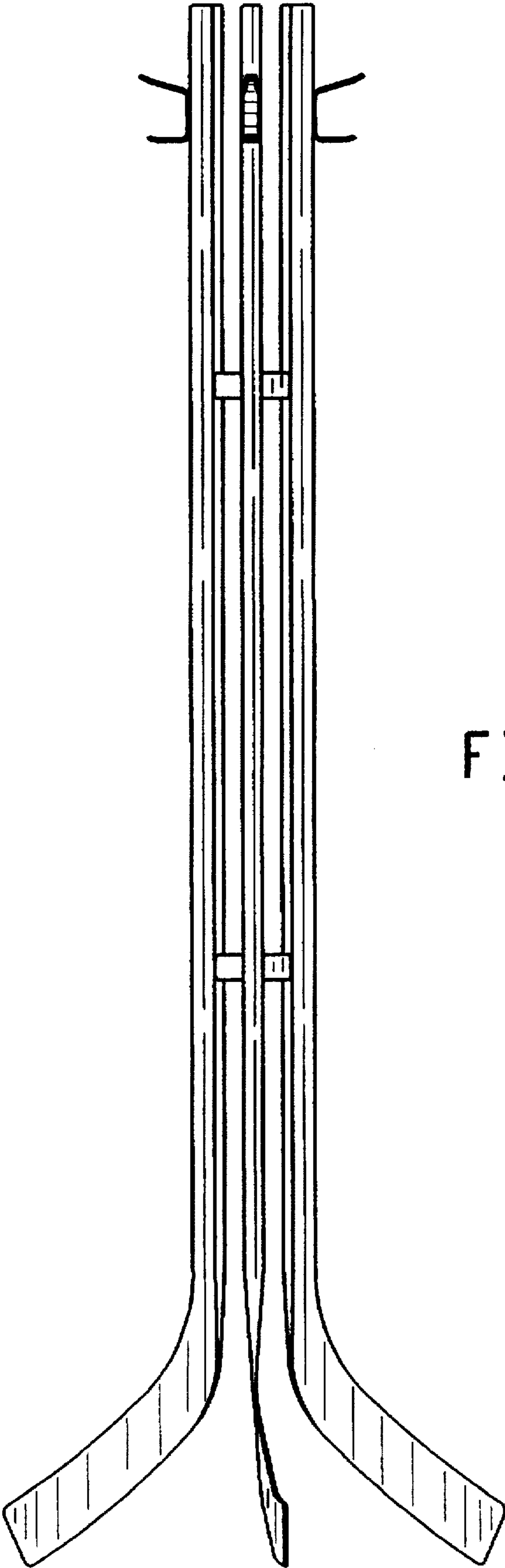


FIG. 3

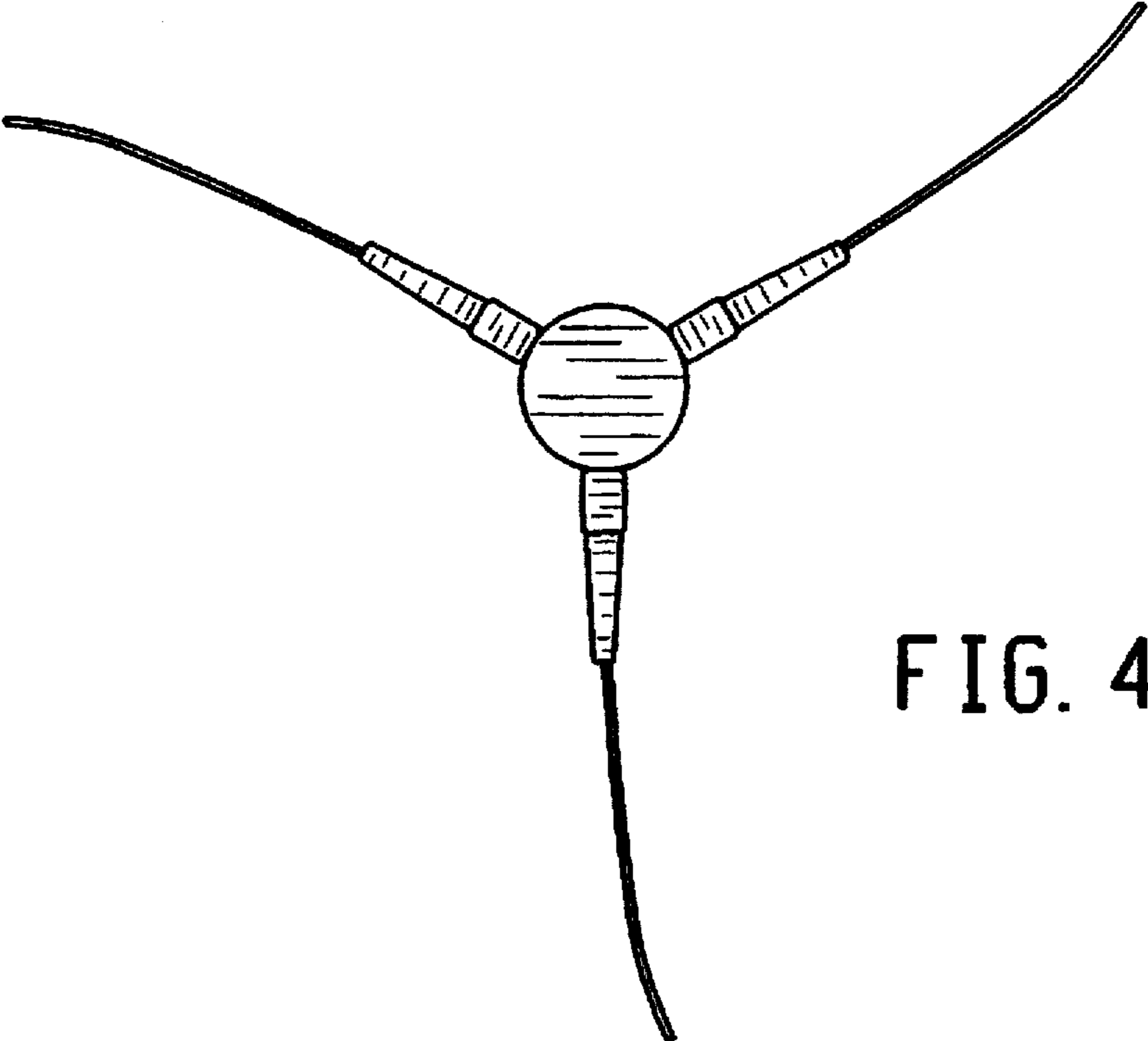


FIG. 4

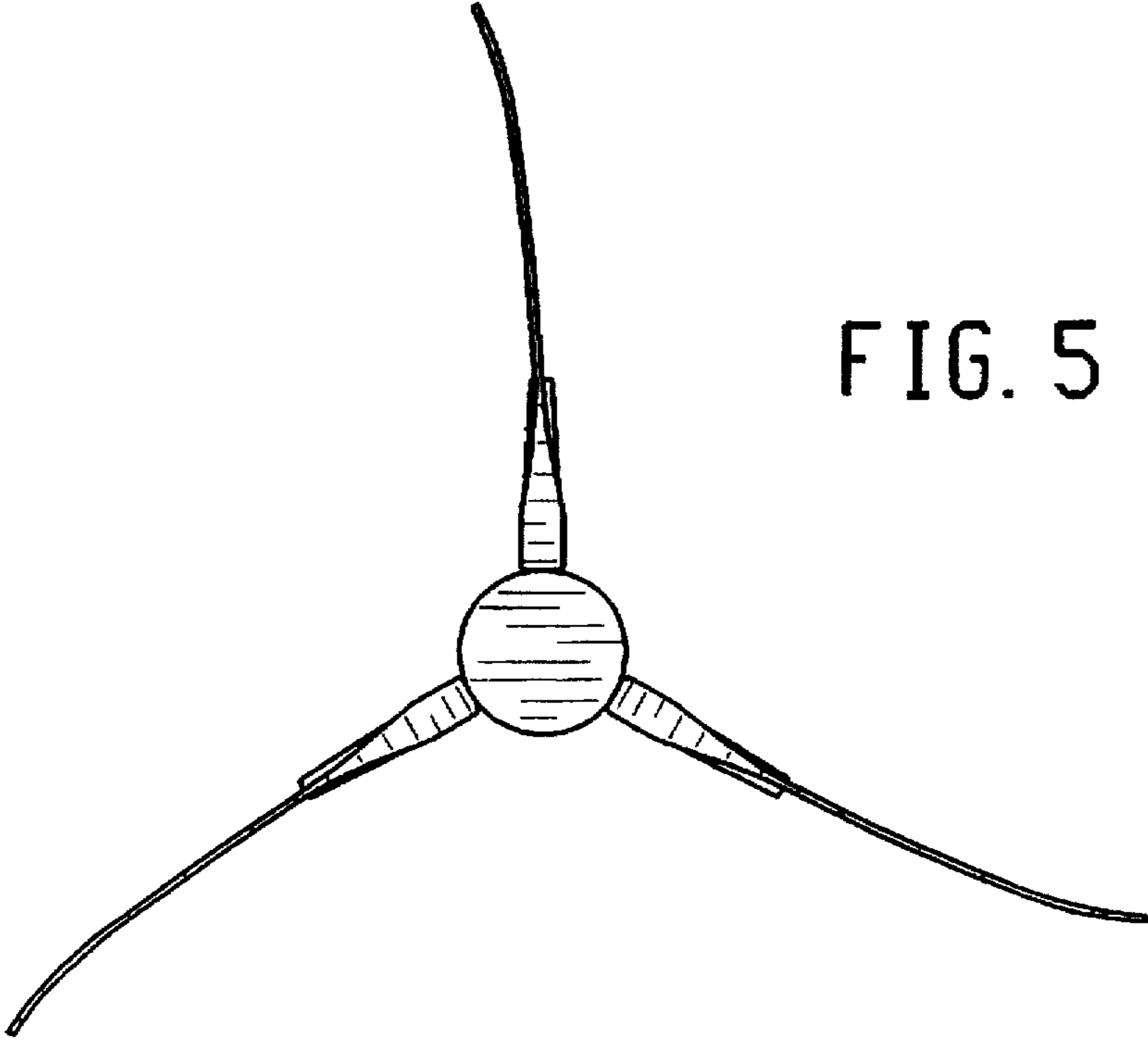


FIG. 5