



US00D385126S

United States Patent [19]

Howland et al.

[11] Patent Number: **Des. 385,126**

[45] Date of Patent: ****Oct. 21, 1997**

[54] **BED TRAY**

[76] Inventors: **Lettie C. Howland**, 22285 Madison St., Torrance, Calif. 90505; **Roy K. Fujitaki**, 695 S. Raymond Ave., Pasadena, Calif. 91105

[**] Term: **14 Years**

[21] Appl. No.: **50,206**

[22] Filed: **Feb. 12, 1996**

[51] LOC (6) Cl **06-06**

[52] U.S. Cl. **D6/406; D6/420**

[58] Field of Search **D6/406, 511, 419, D6/420; D19/92; D7/550; 220/575; 206/564; 108/19, 43, 44, 124; D12/416**

[56] **References Cited**

U.S. PATENT DOCUMENTS

- D. 249,859 10/1978 Schoeller D6/420 X
- D. 278,918 5/1985 Murcheles D6/420 X
- D. 281,555 12/1985 Levy D6/406
- D. 282,218 1/1986 Catelli D6/406
- D. 289,247 4/1987 Wang D6/406 X

- D. 319,358 8/1991 Giugiaro D6/406
- D. 355,787 2/1995 Rae D6/406
- 2,844,429 7/1958 Frey 108/43
- 3,364,884 1/1968 Hamilton 108/124
- 4,010,696 3/1977 Priesman 108/19

Primary Examiner—M. N. Pandozzi

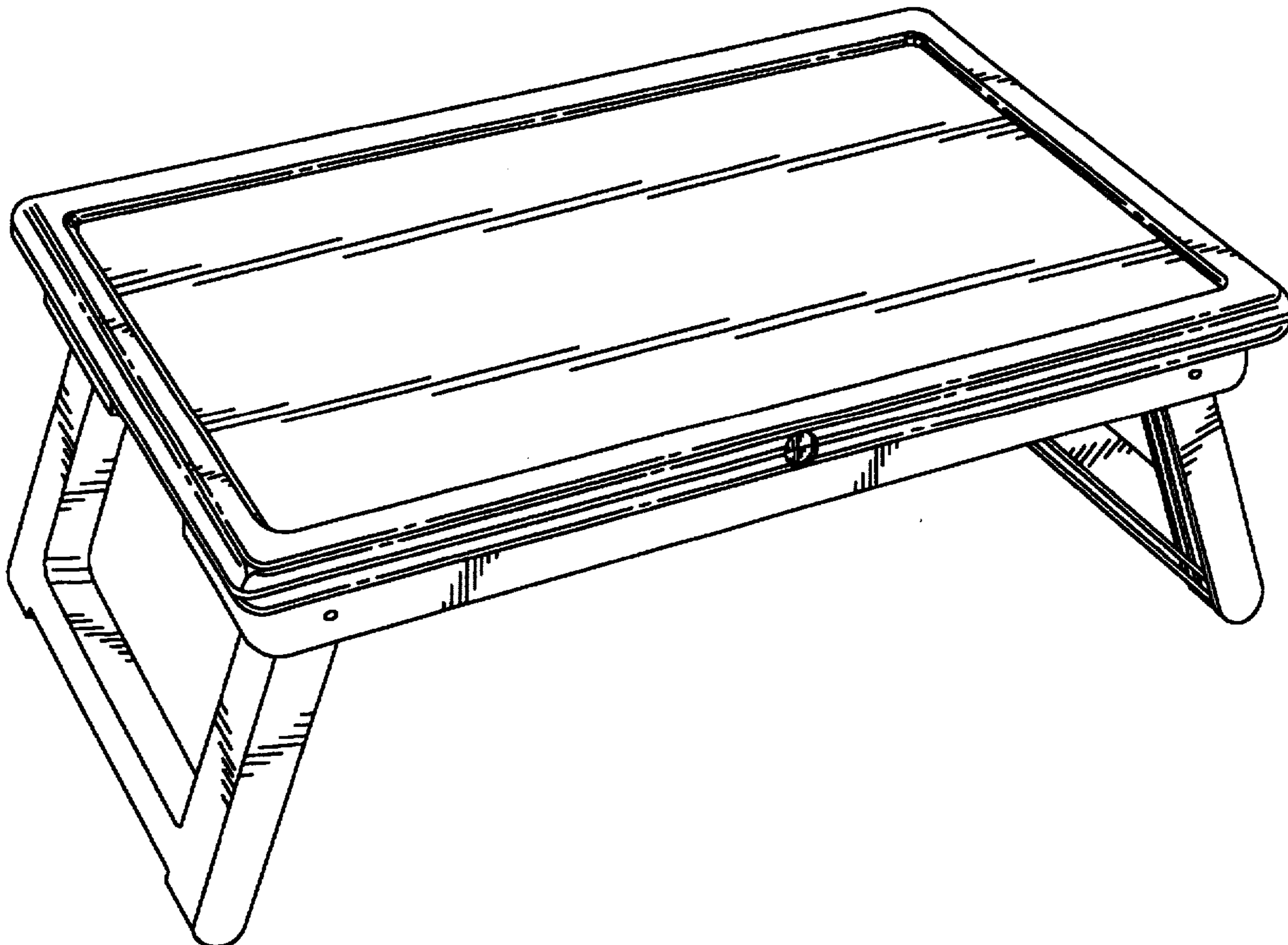
[57] **CLAIM**

The ornamental design for a bed tray, as shown and described.

DESCRIPTION

FIG. 1 is a perspective view of a new design for a bed tray of the present invention;
 FIG. 2 is a front elevational view thereof;
 FIG. 3 is an end elevational view thereof, and the opposite end is a mirror image thereof;
 FIG. 4 is a rear elevational view thereof;
 FIG. 5 is a bottom view thereof partially in perspective;
 FIG. 6 is a perspective view thereof with the tray portion elevated; and,
 FIG. 7 is perspective view thereof with the tray legs folded and the tray collapsed.

1 Claim, 3 Drawing Sheets



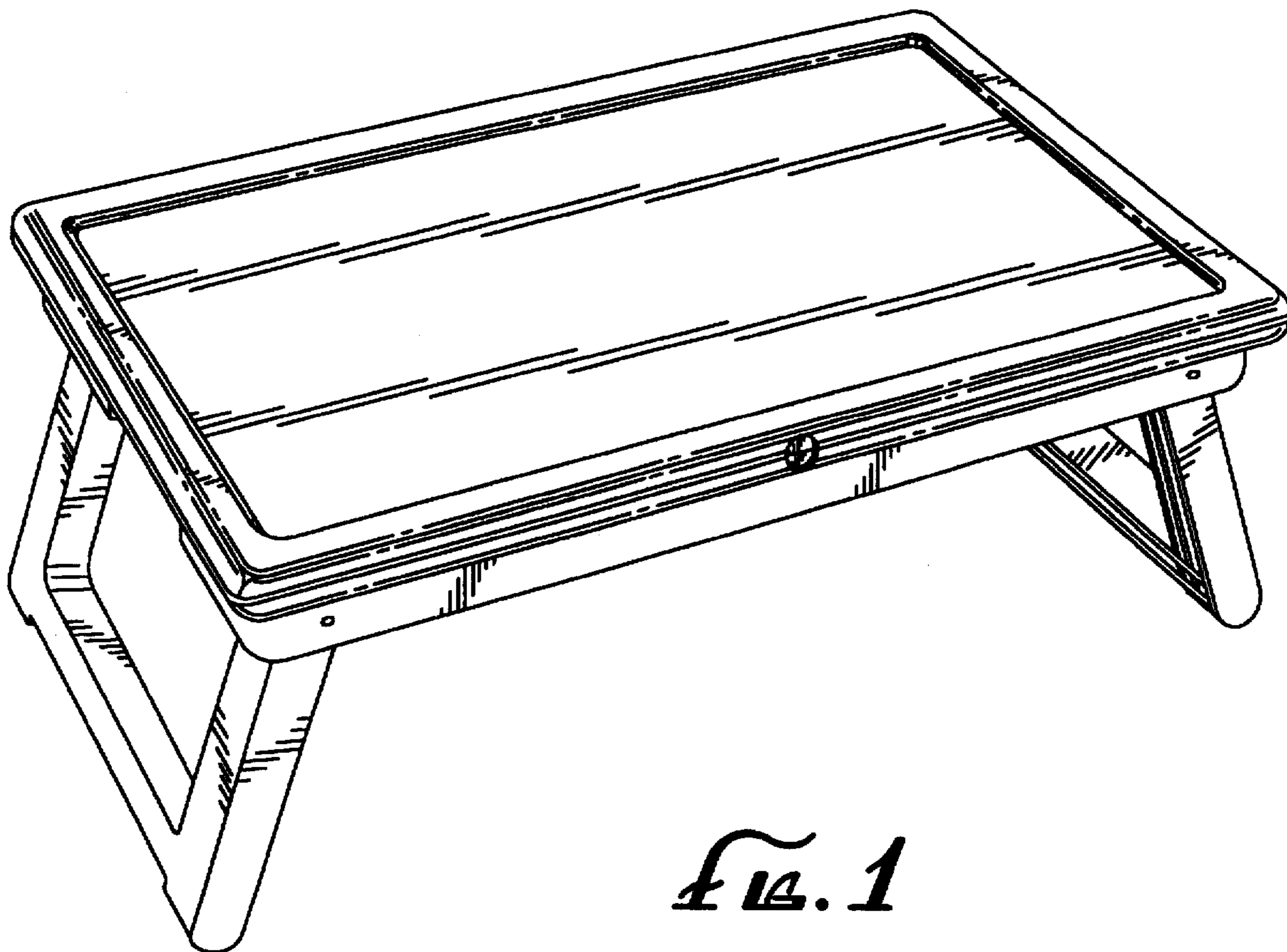


Fig. 1

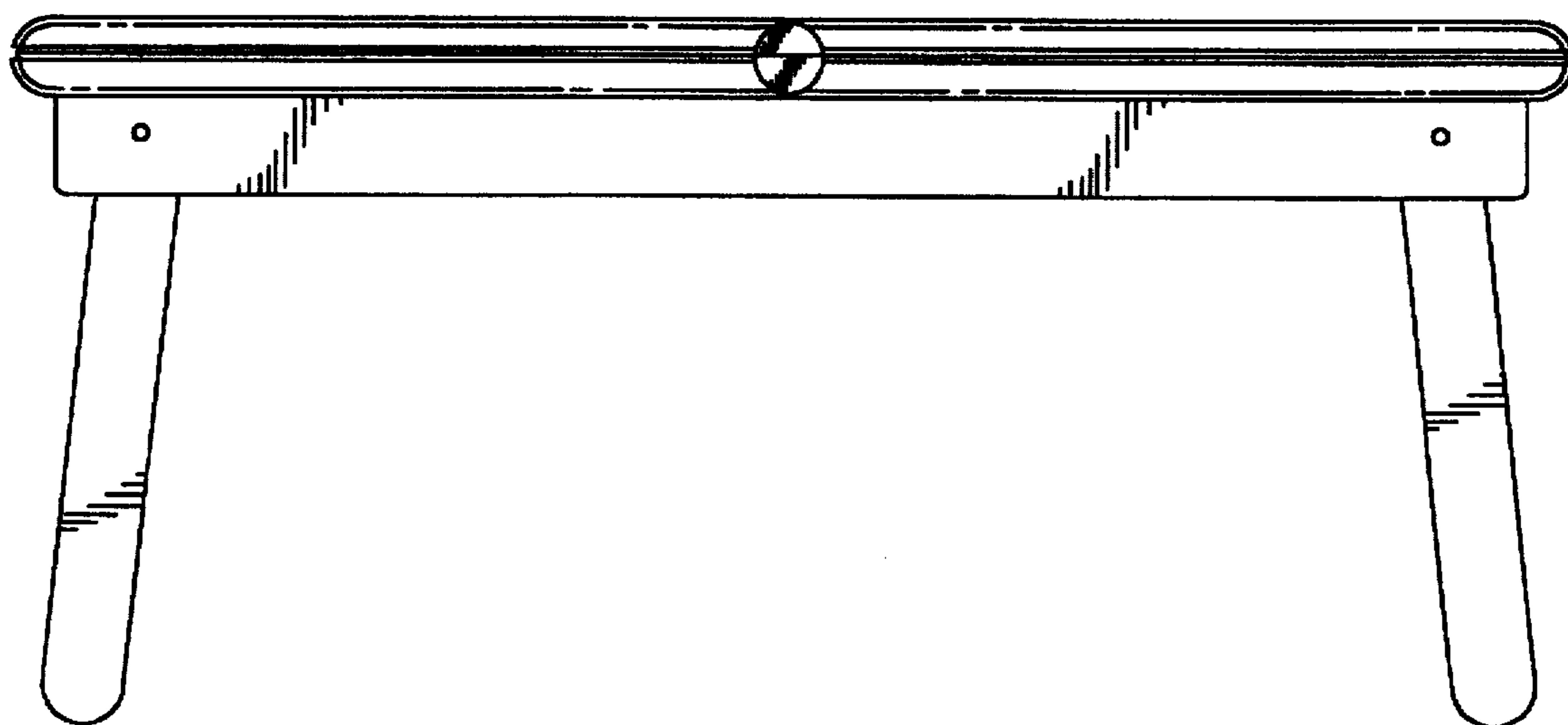


Fig. 2

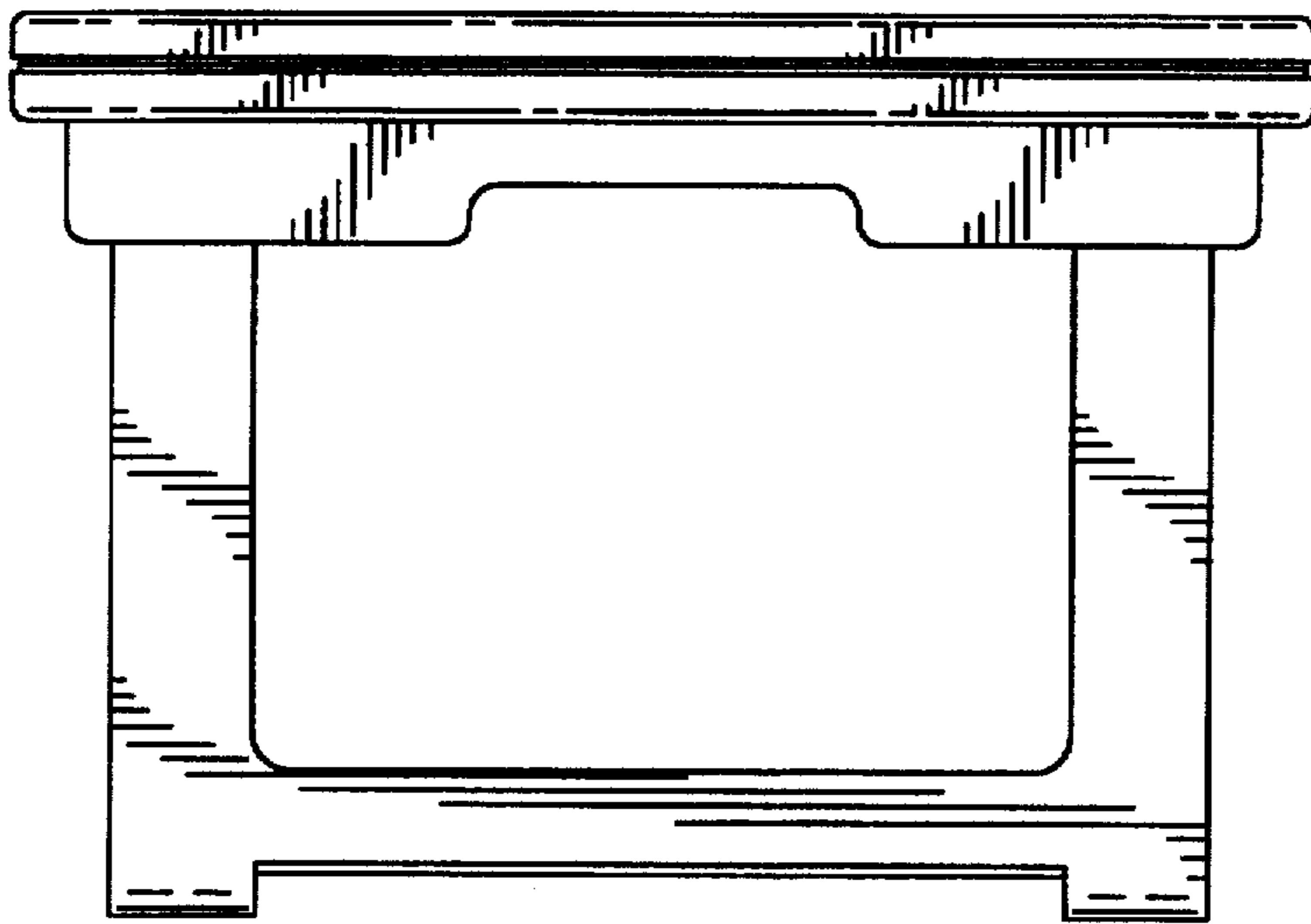


FIG. 3

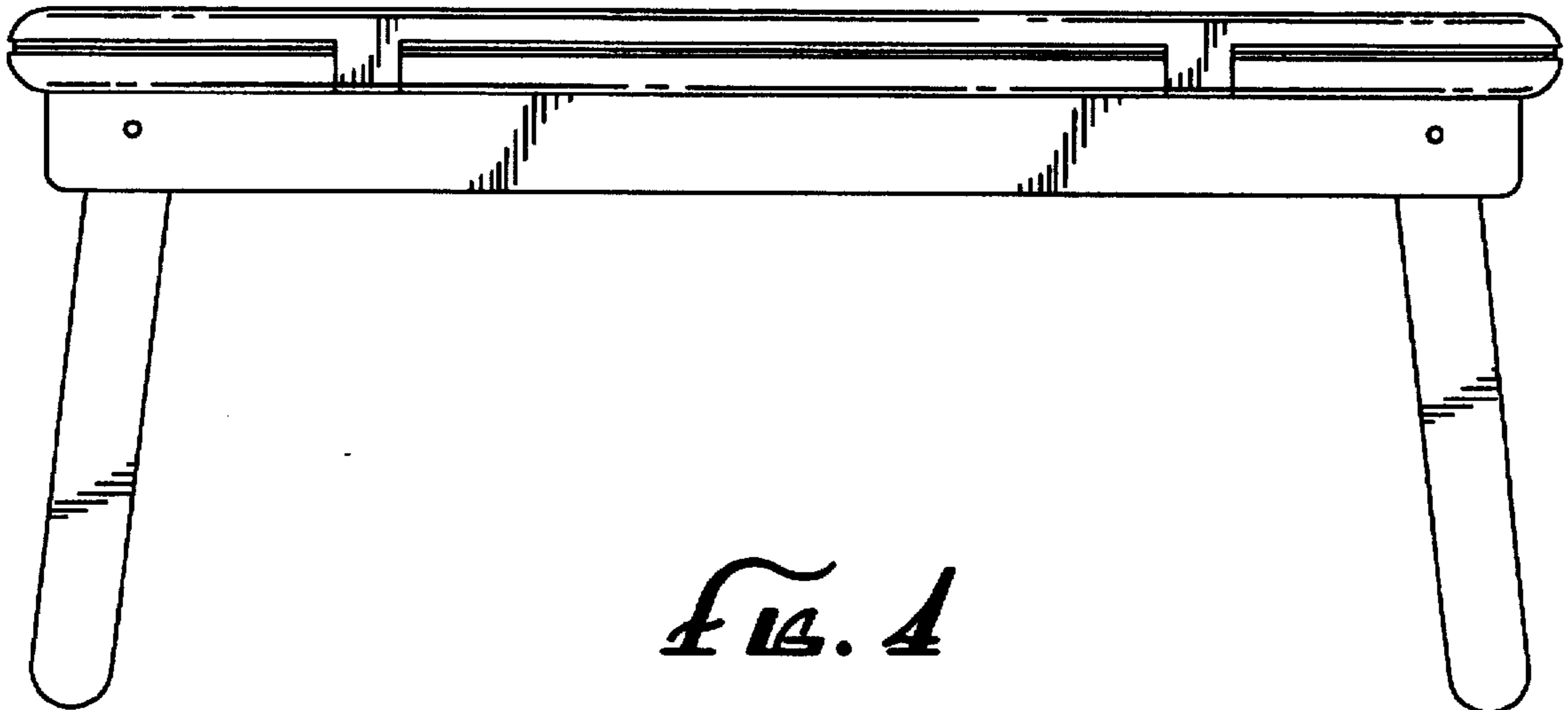


FIG. 4

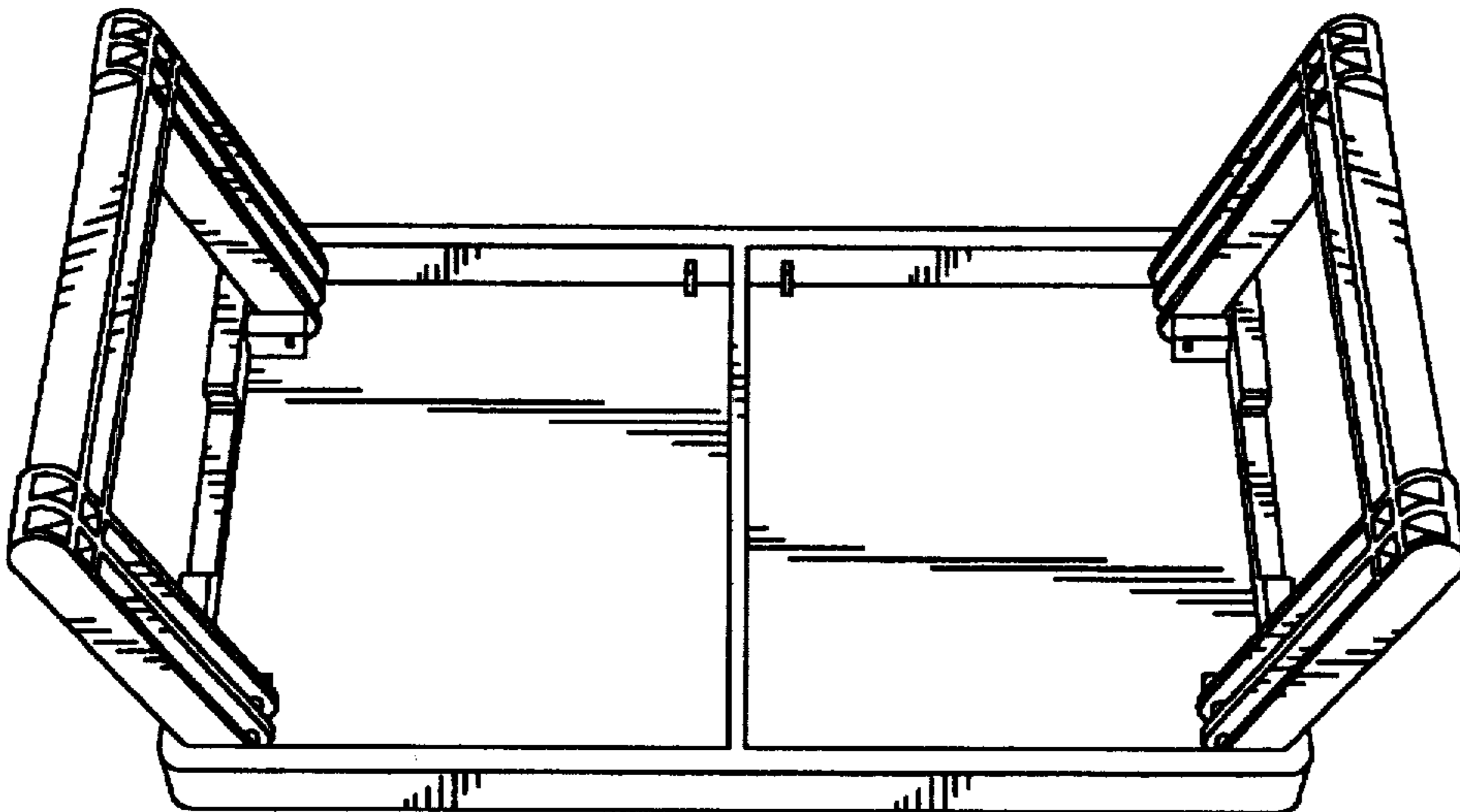


FIG. 5

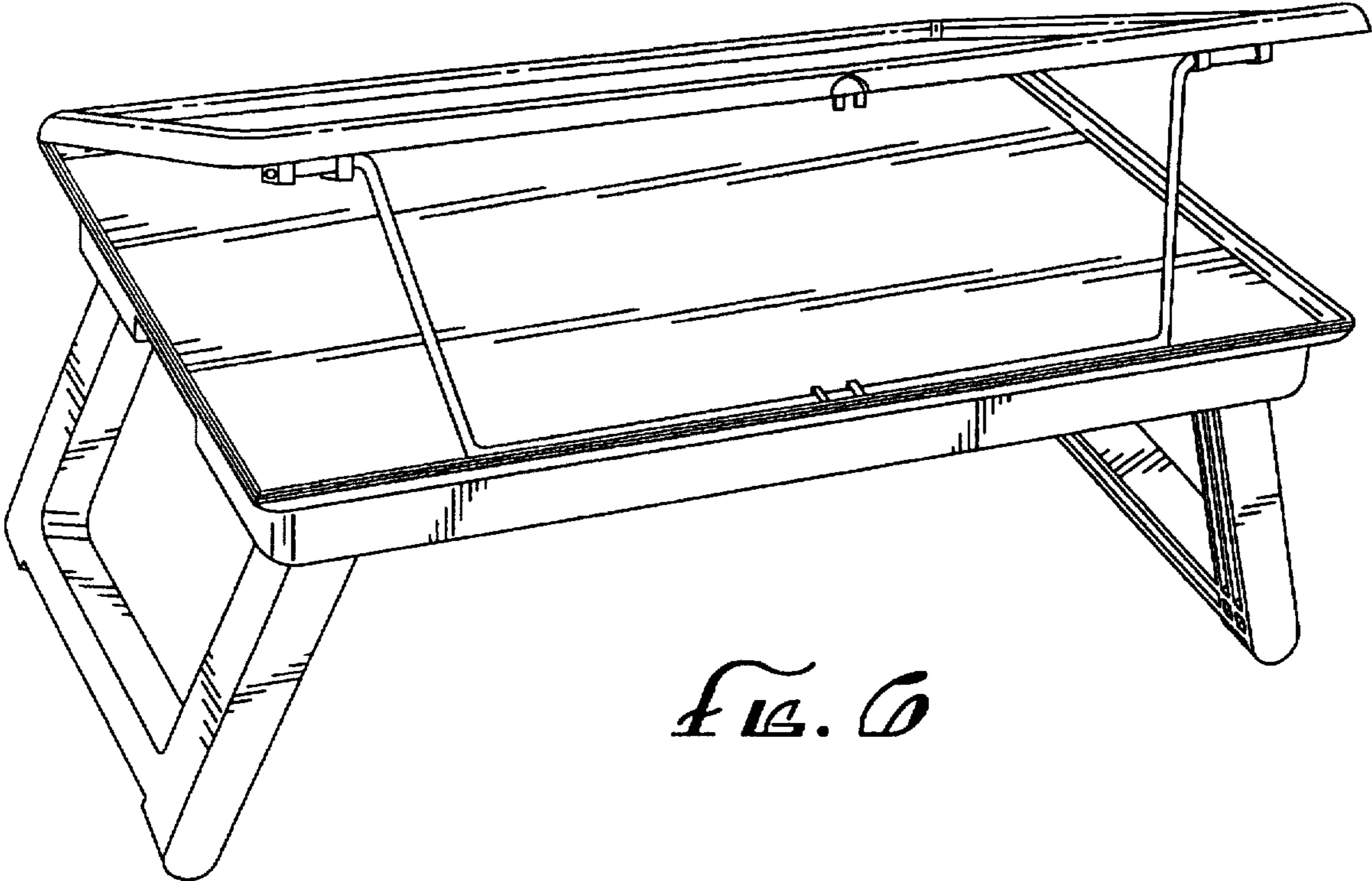


FIG. 6

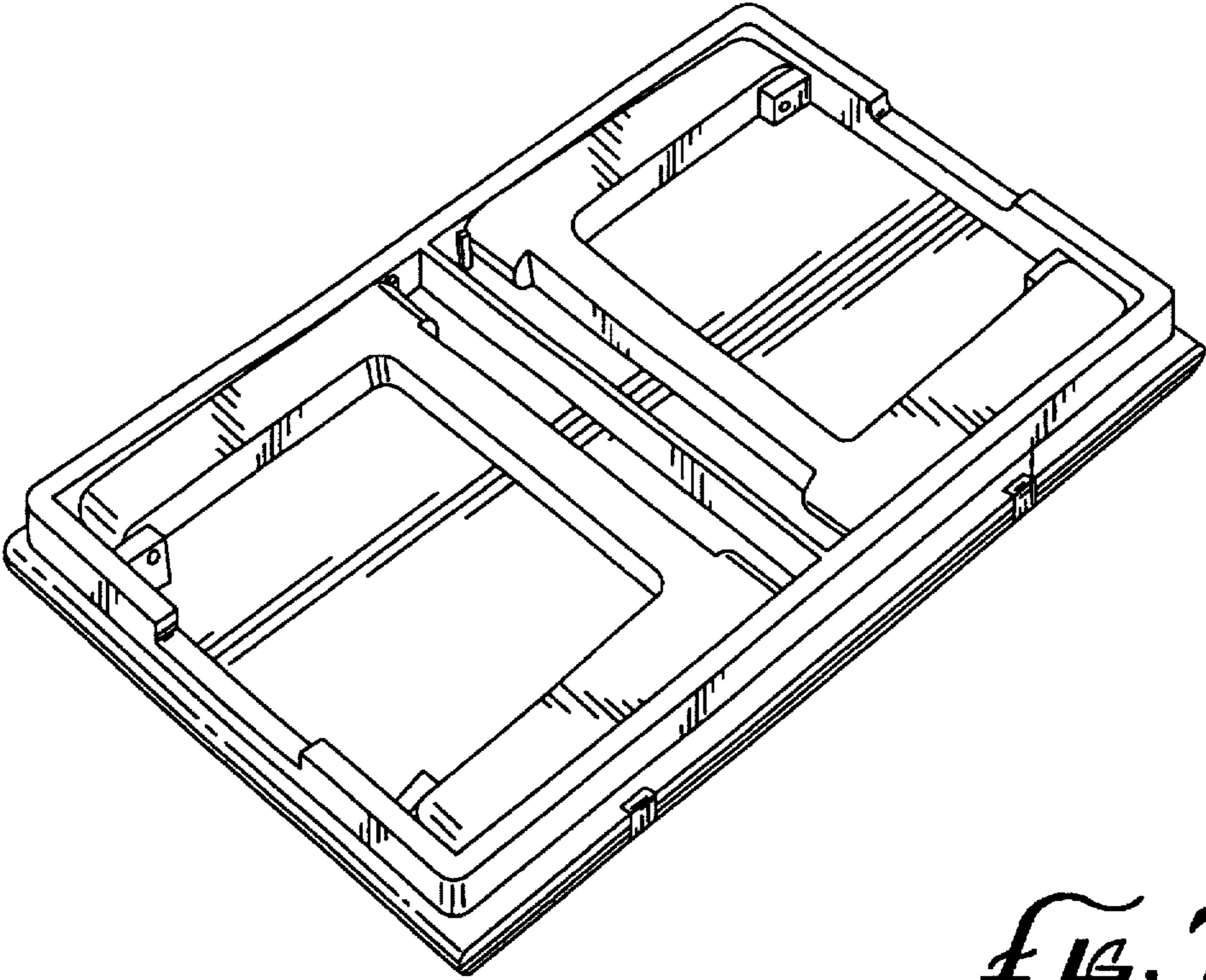


FIG. 7