



US00D385124S

# United States Patent [19]

[11] Patent Number: **Des. 385,124**

Proano et al.

[45] Date of Patent: **\*\*Oct. 21, 1997**

## [54] CONVERTIBLE CRIB IN YOUTH BED CONFIGURATION

[76] Inventors: **Lou Proano; Rene D. Proano**, both of 1648 Channelside Trail, Baldwinsville, N.Y. 13027

[\*\*] Term: **14 Years**

[21] Appl. No.: **56,563**

[22] Filed: **Jul. 2, 1996**

[51] LOC (6) Cl. .... **06-01**

[52] U.S. Cl. .... **D6/391**

[58] Field of Search ..... D6/382-385, 390-395, D6/508; 5/93.1, 93.2, 101, 105

## [56] References Cited

### U.S. PATENT DOCUMENTS

D. 356,452	3/1995	Proano et al. .	
D. 365,480	12/1995	Brunner et al. ....	D6/508
D. 370,364	6/1996	Proano et al. .	
D. 371,254	7/1996	Proano et al. ....	D6/395
1,788,960	1/1931	Shaw .....	5/99.1
2,243,691	5/1941	Bakalar .....	5/93.1
4,715,075	12/1987	Shamie .....	5/93.1
5,040,254	8/1991	Frank .....	5/99.1
5,173,974	12/1992	Proano et al. .	

### OTHER PUBLICATIONS

J.C. Penney for Baby, p. 7 crib at bottom.

Primary Examiner—Janice E. Seeger

Attorney, Agent, or Firm—August E. Roehrig, Jr.

## [57] CLAIM

The ornamental design for a convertible crib in youth bed configuration, as shown and described.

## DESCRIPTION

FIG. 1 is a perspective view of a convertible crib in youth bed configuration with the lower bar positioned upwardly;

FIG. 2 is a front elevational view;

FIG. 3 is a rear elevational view;

FIG. 4 is a right side elevational view with the left side being a mirror image thereof;

FIG. 5 is a top plan view thereof;

FIG. 6 is an enlarged cross-sectional view taken along lines 6—6 to better illustrate the contours thereof;

FIG. 7 is an enlarged cross-sectional view of a portion of the crib taken along lines 7—7 to better illustrate the contours thereof;

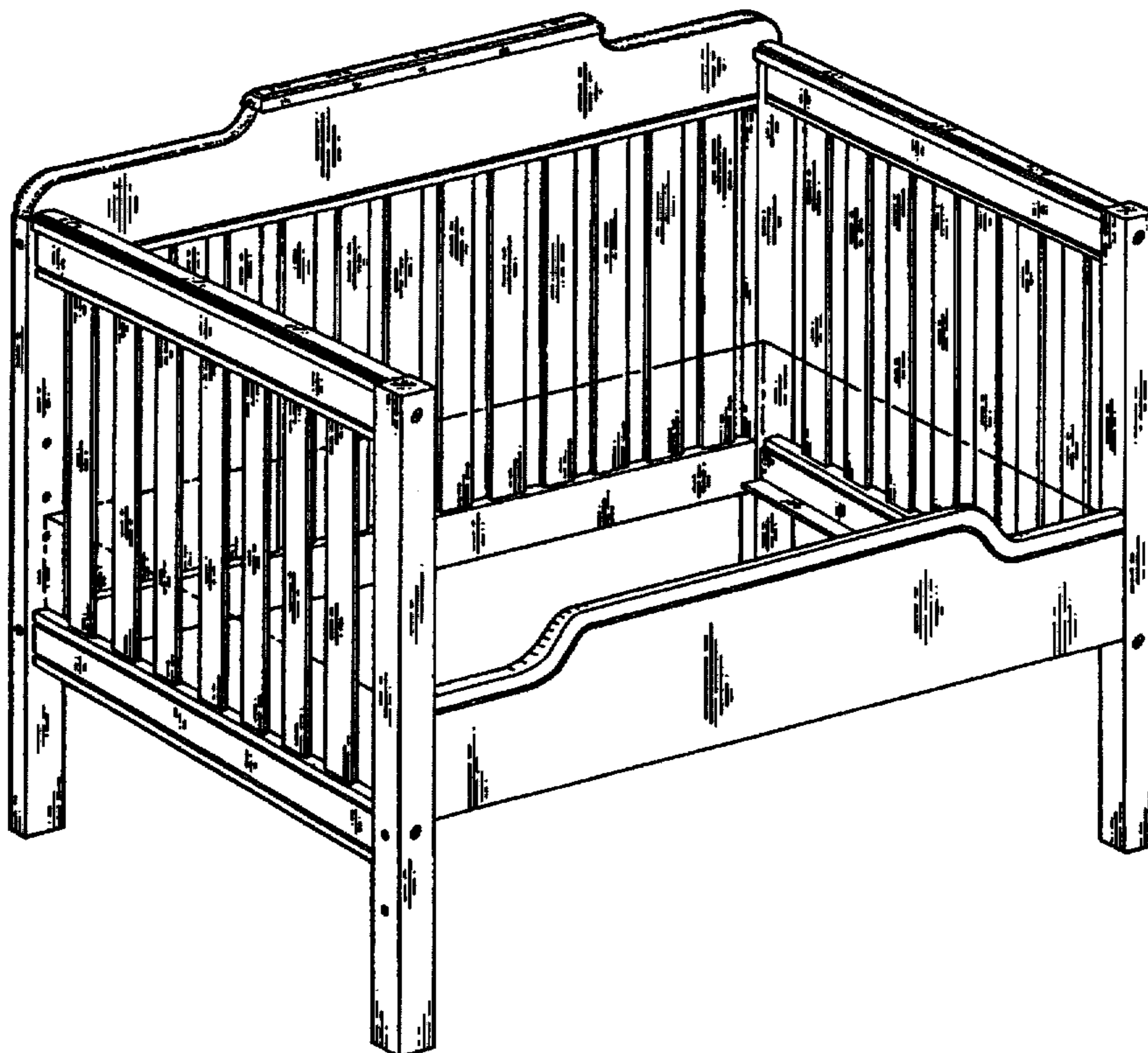
FIG. 8 is an enlarged cross-sectional view taken along lines 8—8 to better illustrate the contours thereof; and,

FIG. 9 is a perspective view of the convertible crib in youth bed configuration with the lower bar positioned downwardly.

The side of the lower bar not shown is plain and unadorned.

The broken line showing of a mattress in some of the figures is for illustrative purposes only, and forms no part of the claimed design.

1 Claim, 7 Drawing Sheets



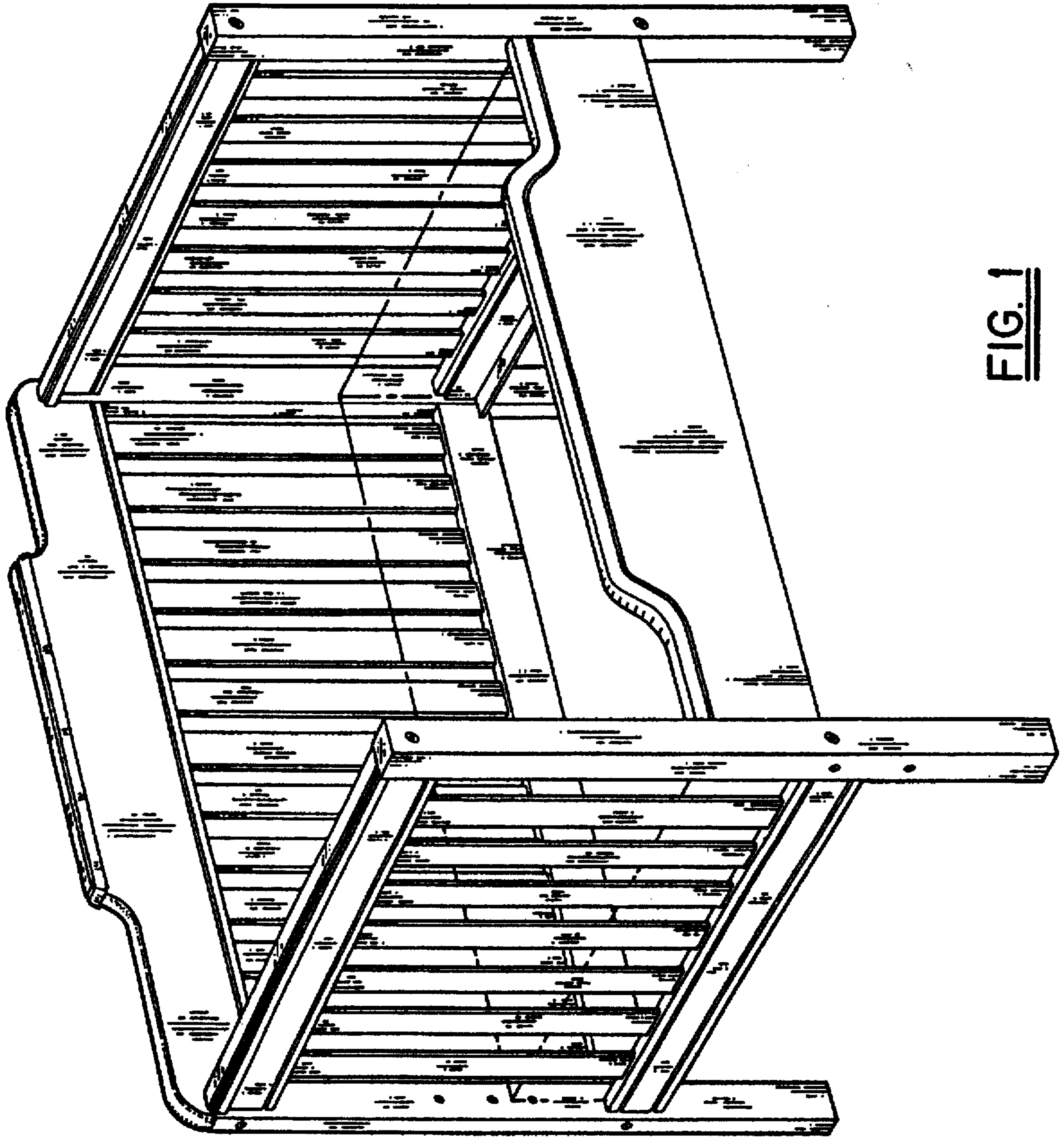


FIG. 1

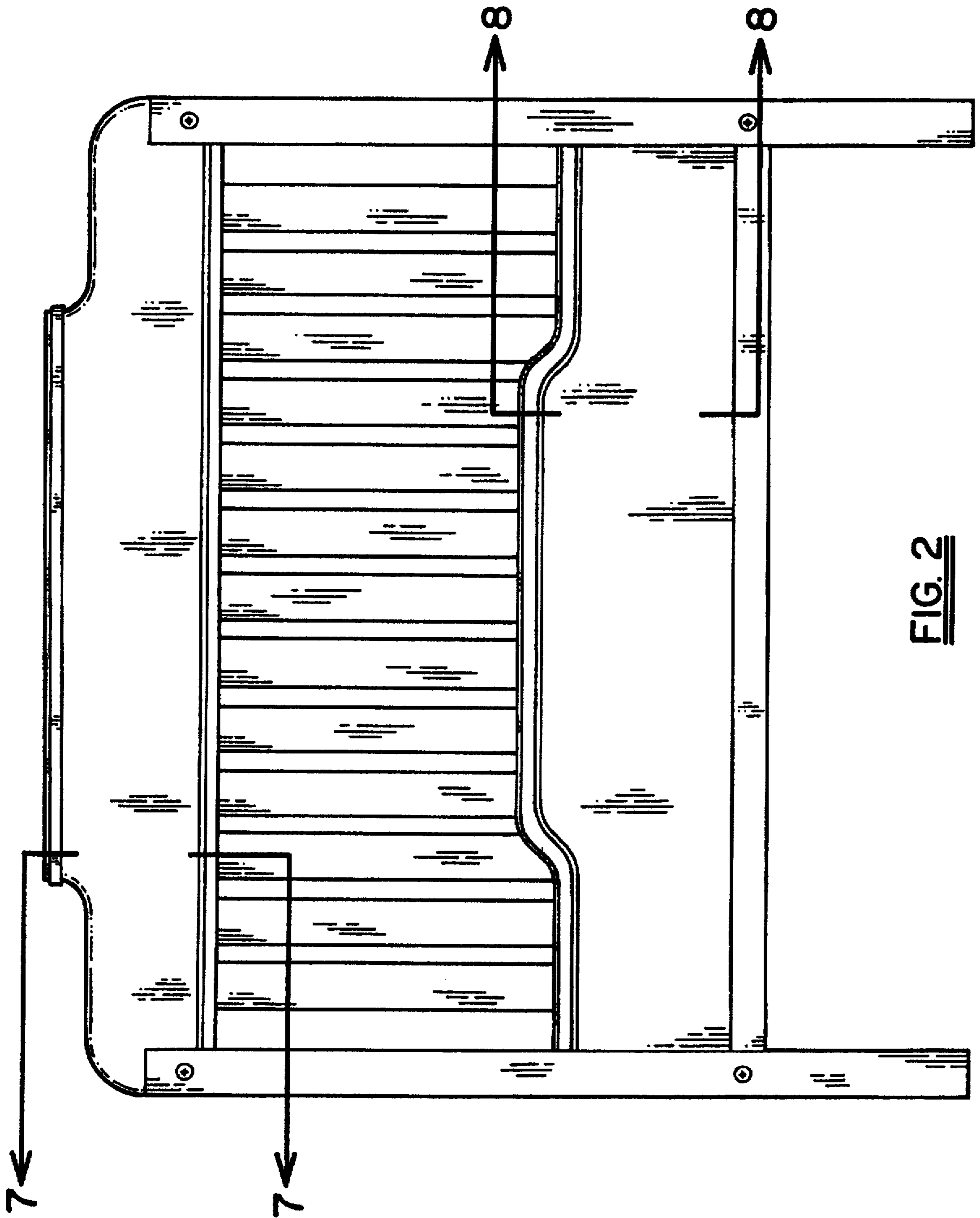


FIG. 2

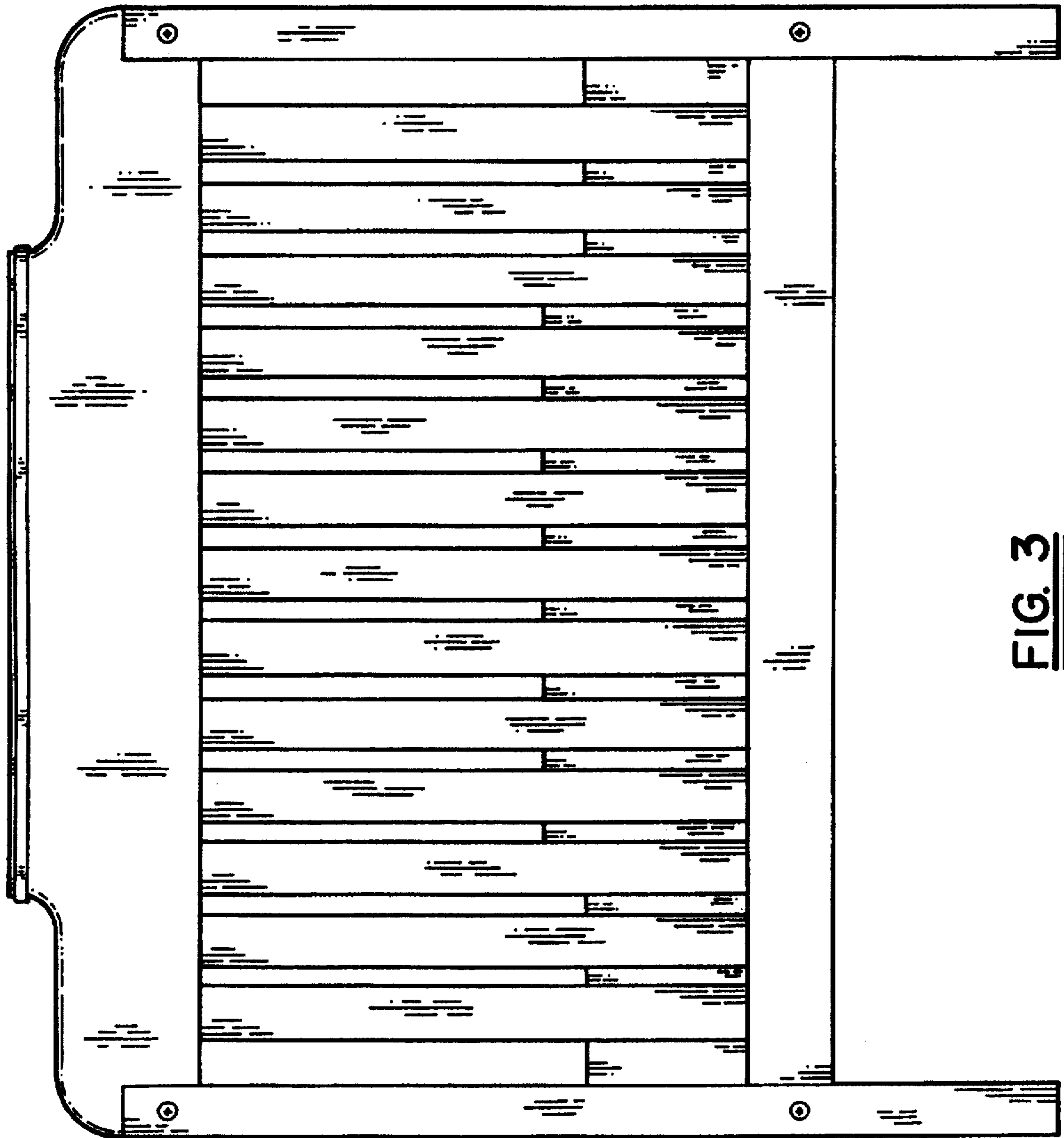


FIG. 3

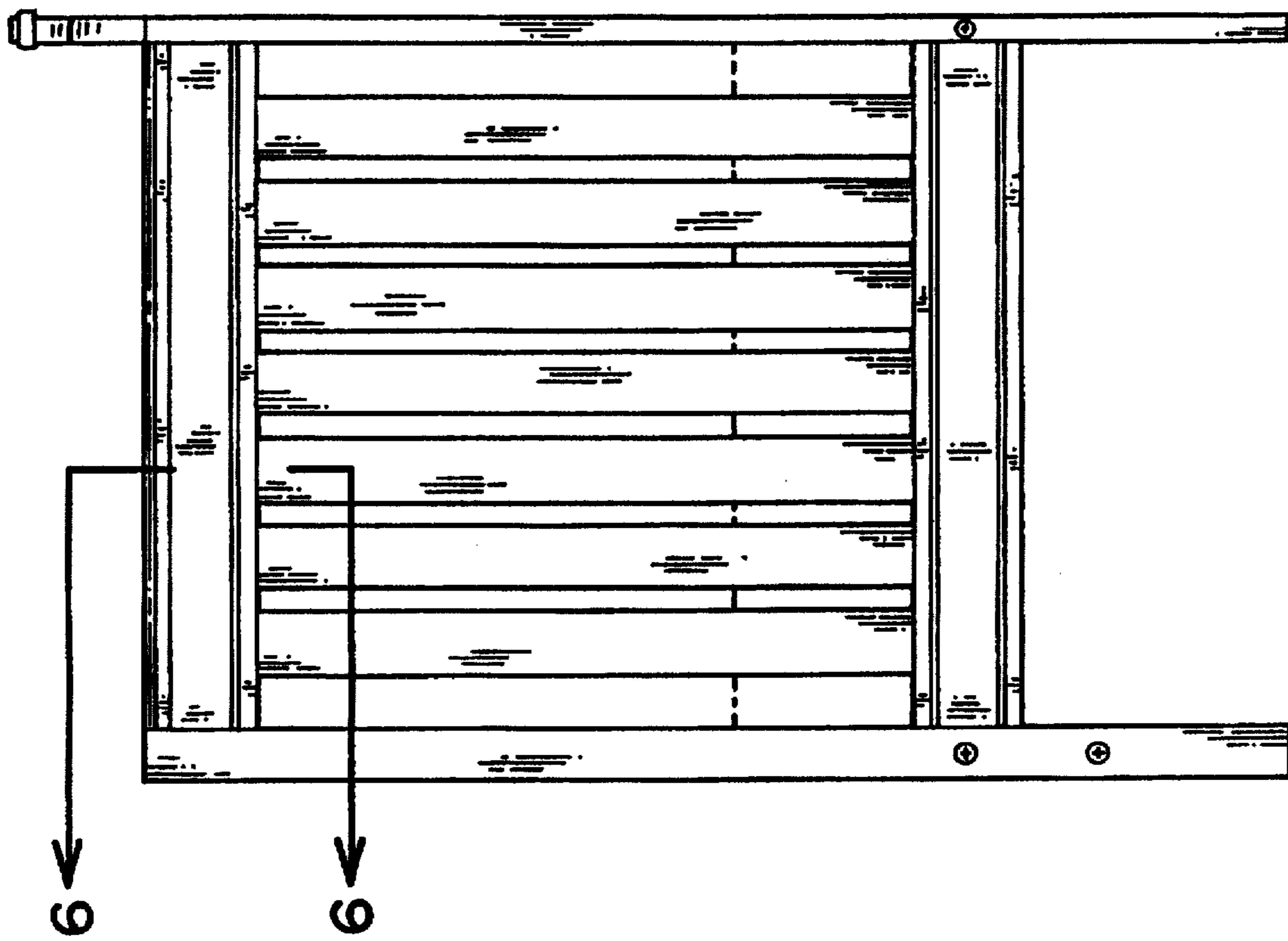


FIG. 4

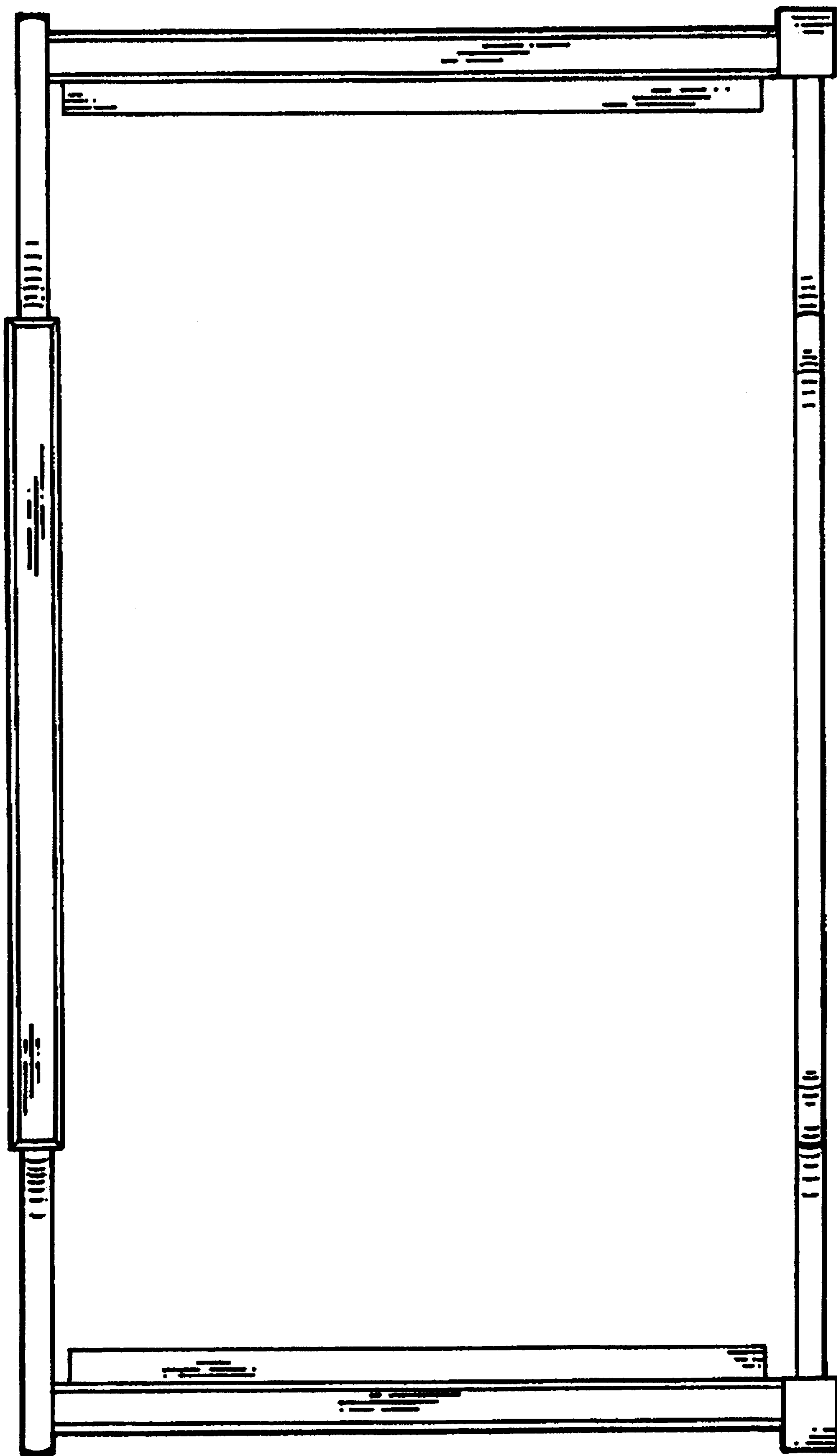


FIG. 5

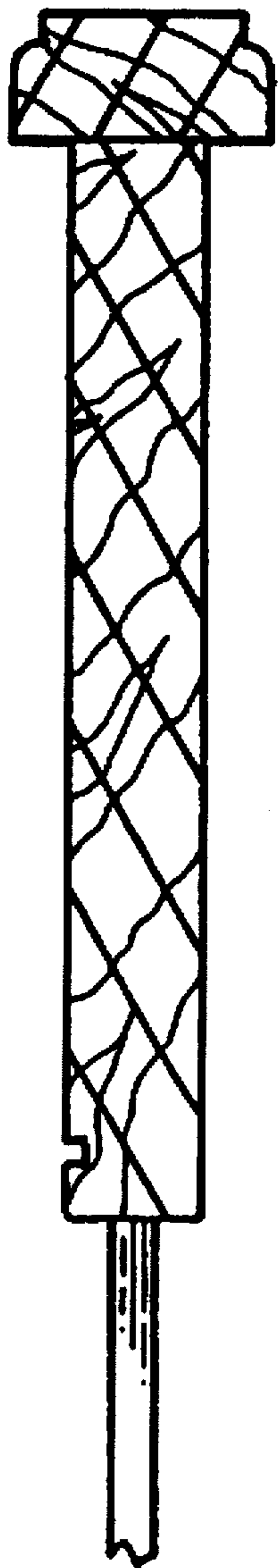


FIG. 7

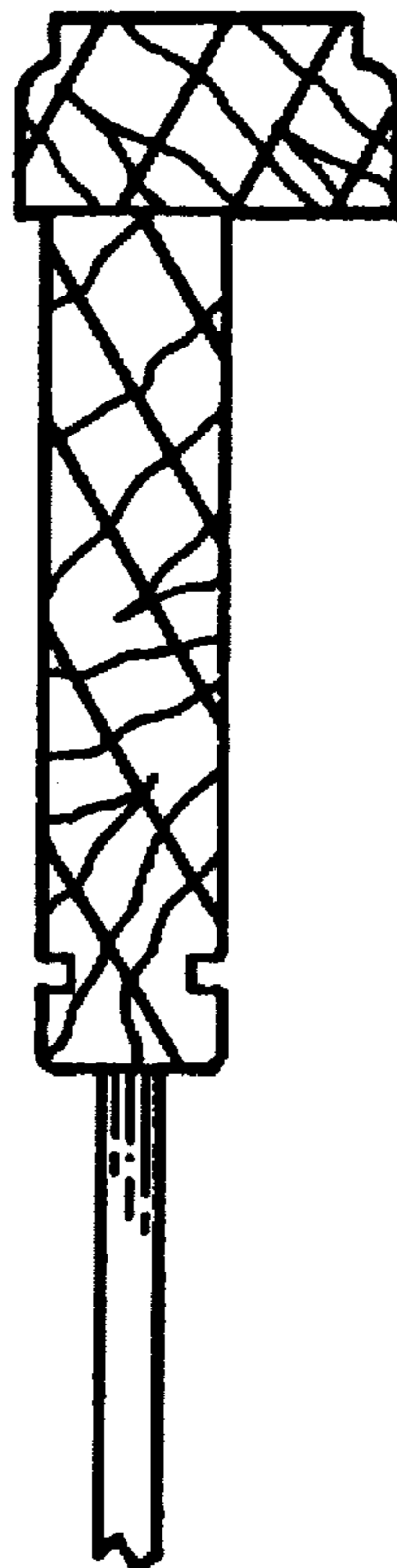


FIG. 6



FIG. 8

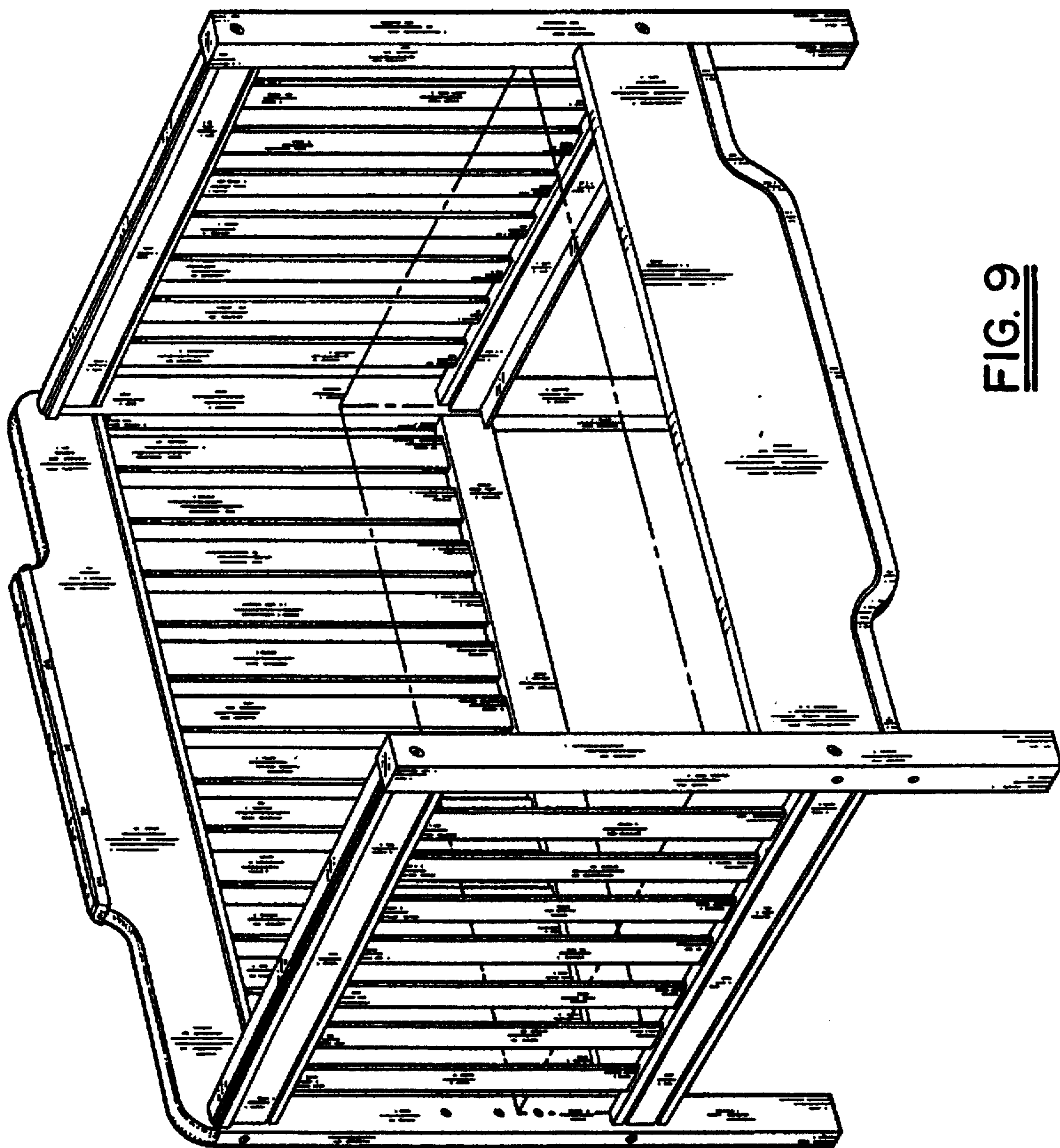


FIG. 9