



US00D385123S

United States Patent [19]
Romanelli

[11] **Patent Number: Des. 385,123**
[45] **Date of Patent: **Oct. 21, 1997**

[54] **HALF MOON BED**

[76] **Inventor: Colleen Romanelli, 2418 W. Wilson Ave., Chicago, Ill. 60625**

[**] **Term: 14 Years**

[21] **Appl. No.: 56,274**

[22] **Filed: Jun. 18, 1996**

[51] **LOC (6) Cl. 06-01**

[52] **U.S. Cl. D6/388; D6/358**

[58] **Field of Search D6/382-385, 388-395, D6/505, 508, 347, 345, 358; 5/53.1, 280, 281, 907**

[56] **References Cited**

U.S. PATENT DOCUMENTS

- D. 139,449 11/1944 Fink 5/105
- D. 145,959 11/1946 Spangler D6/358 X
- D. 314,675 2/1991 Watts D6/345

Primary Examiner—Janice E. Seeger
Attorney, Agent, or Firm—Dressler, Rockey, Milnamow & Katz, Ltd.

[57] **CLAIM**

The ornamental design for a half moon bed, as shown and described.

DESCRIPTION

FIG. 1 is a perspective view of a half moon bed embodying my new design;

FIG. 2 is a top plan view thereof;

FIG. 3 is a side view thereof;

FIG. 4 is a front view thereof; and,

FIG. 5 is a rear view thereof.

The broken lines are for environmental purposes only and forms no part of the claimed design.

1 Claim, 3 Drawing Sheets

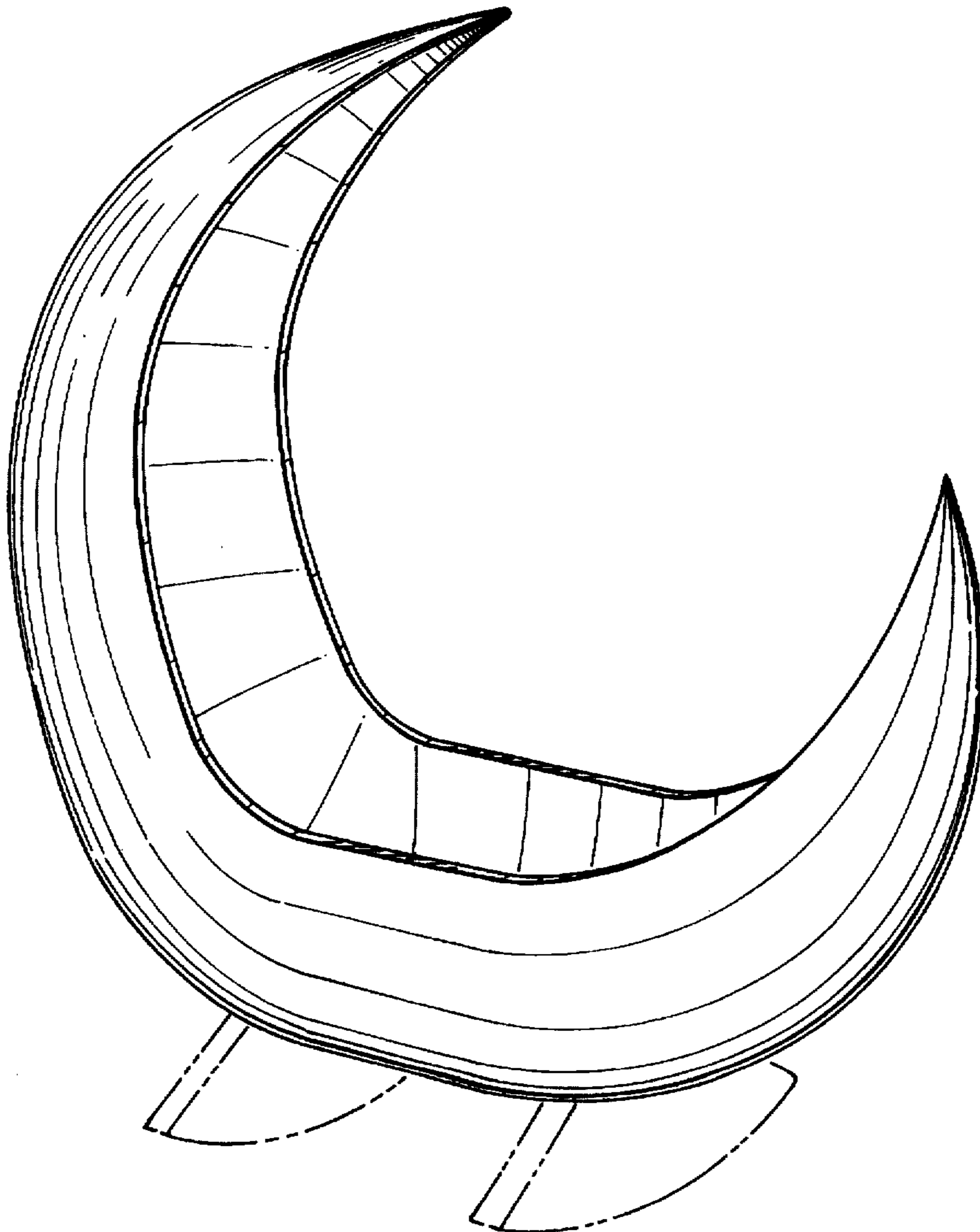


FIG. 1

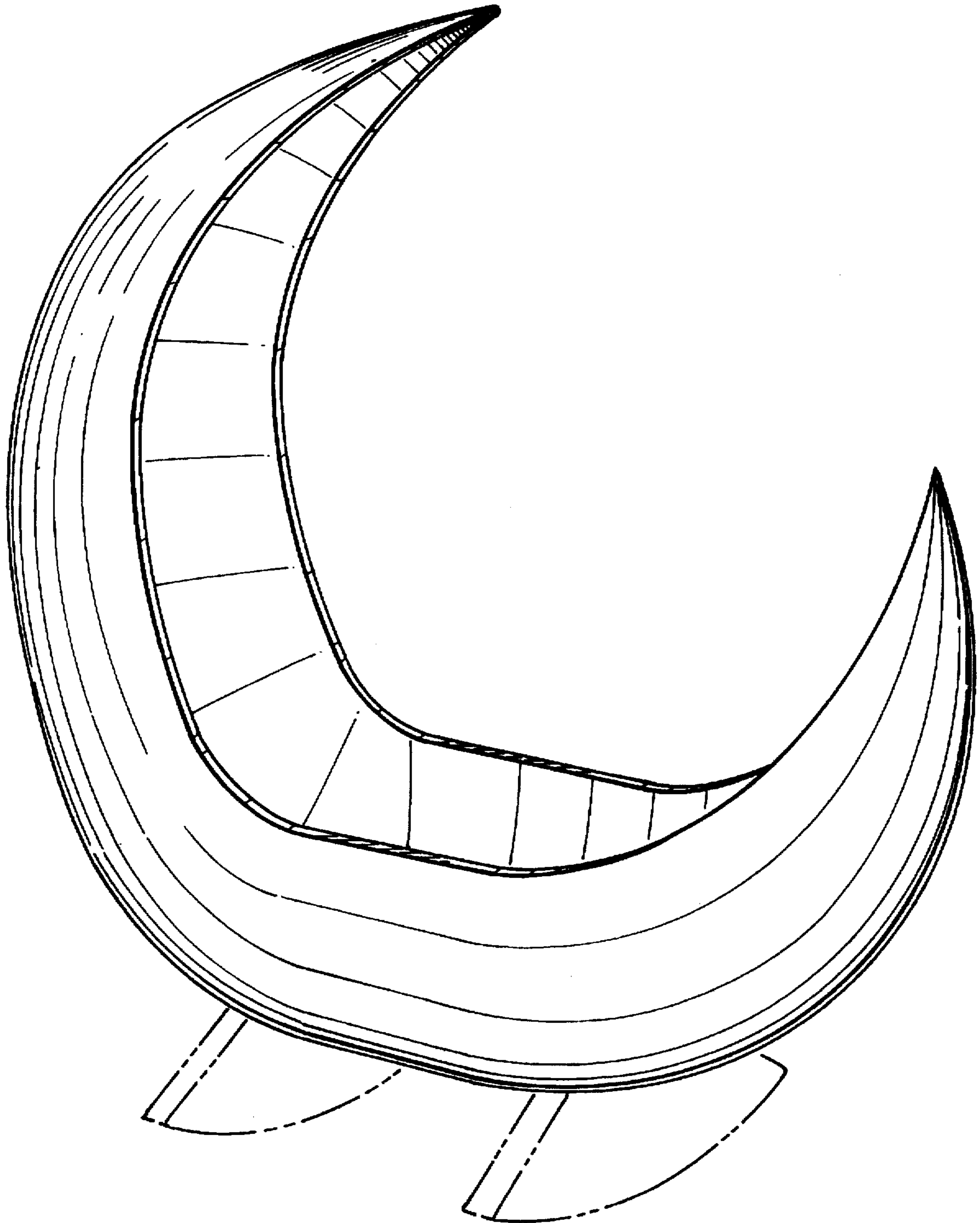


FIG. 2

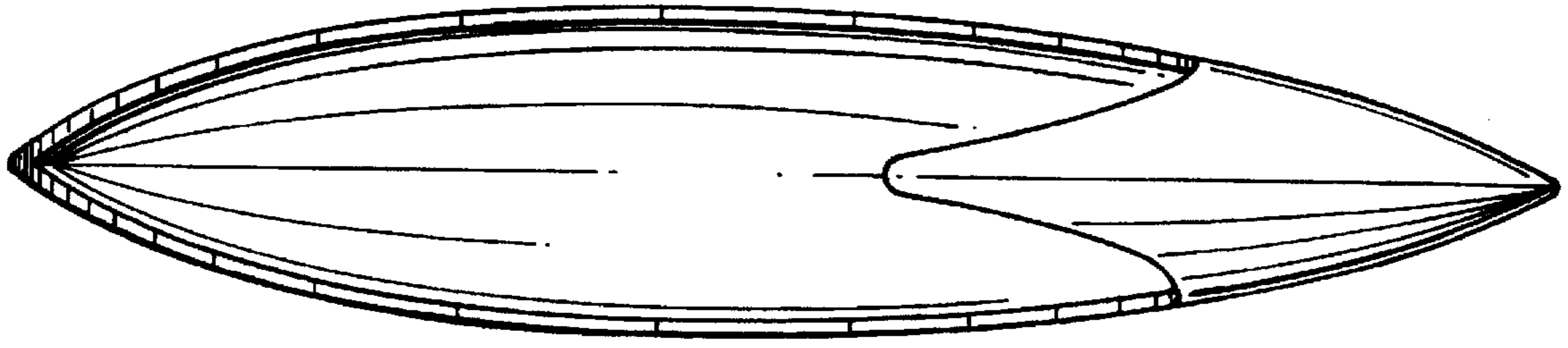


FIG. 3

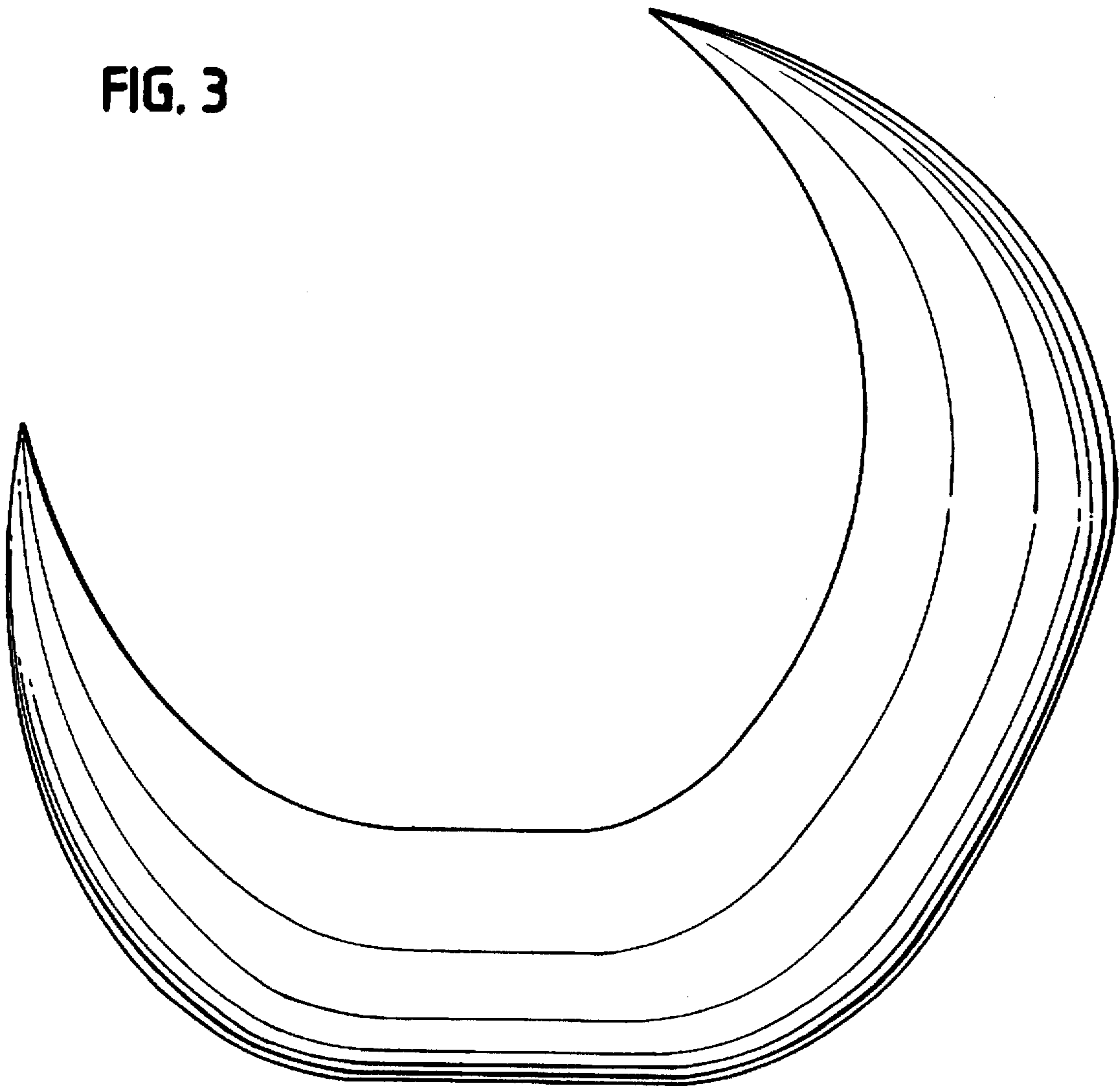


FIG. 4

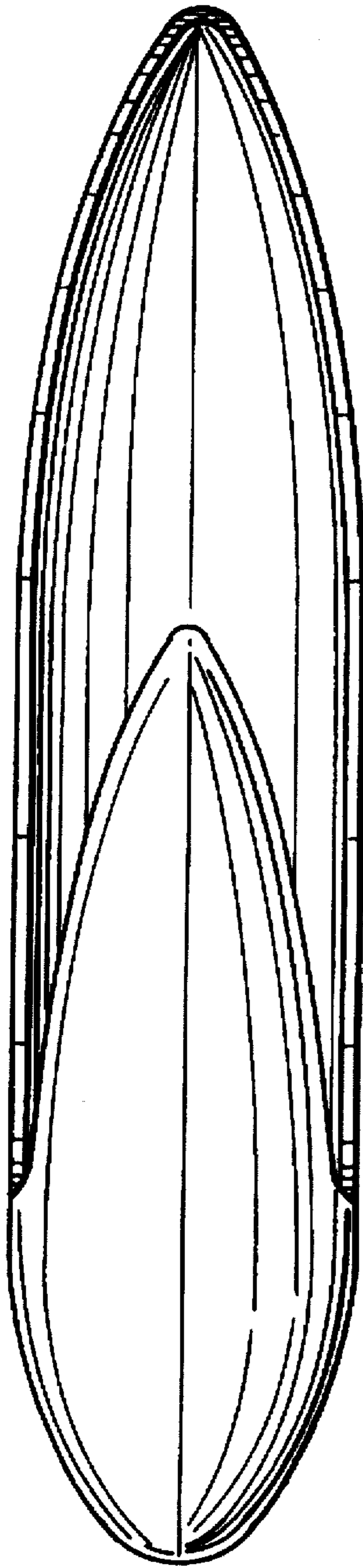


FIG. 5

