



US00D385114S

United States Patent [19]

Su

[11] Patent Number: **Des. 385,114**

[45] Date of Patent: ****Oct. 21, 1997**

[54] **BOTTOM HOLDER OF GOLF BAG**

[76] Inventor: **Po-Tang Su**, No. 52, Lane 42, Chung Nan Street, Nan Kang District, Taipei, Taiwan

[**] Term: **14 Years**

[21] Appl. No.: **56,377**

[22] Filed: **Jun. 27, 1996**

[51] LOC (6) CL **03-99**

[52] U.S. Cl. **D3/320**

[58] Field of Search D3/320, 254, 255, D3/259; 206/315.1, 315.2, 315.3, 315.4, 315.5, 315.6, 315.7, 315.8, 315.9; D34/5, 15, 24

[56] **References Cited**

U.S. PATENT DOCUMENTS

- D. 319,346 8/1991 Jessen D3/255
- D. 348,567 7/1994 Dunn D3/255

- 1,438,263 12/1922 Rothschild 206/315.8
- 2,212,749 8/1940 Pelouch D34/5
- 4,792,152 12/1988 Carolan D34/15 X

Primary Examiner—Doris V. Coles
Assistant Examiner—Catherine R. Oliver
Attorney, Agent, or Firm—Varndell Legal Group

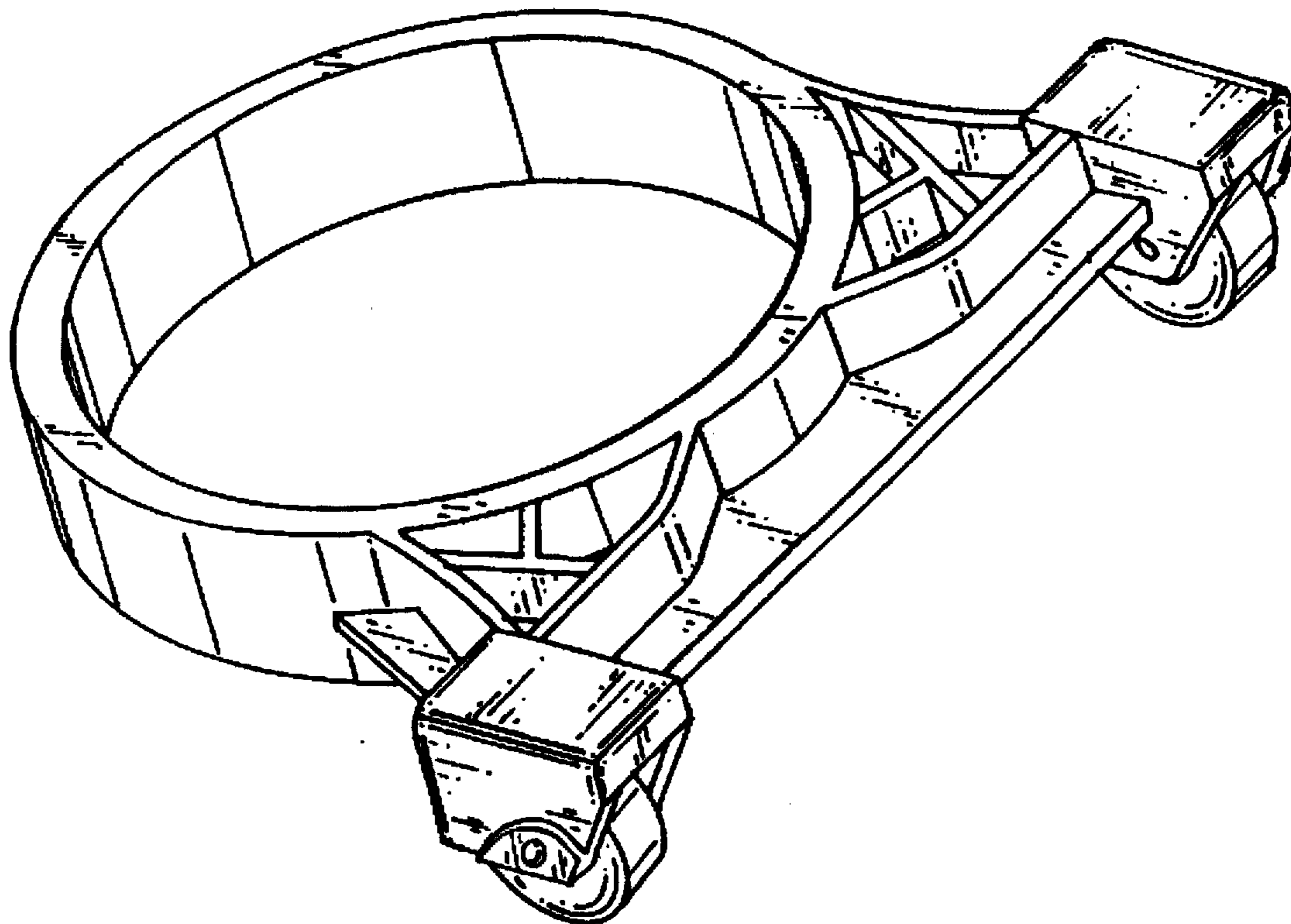
[57] **CLAIM**

The ornamental design for bottom holder of golf bag, as shown and described.

DESCRIPTION

FIG. 1 is a perspective view of a bottom holder of golf bag showing my new design;
FIG. 2 is a front elevational view thereof;
FIG. 3 is a rear elevational view thereof;
FIG. 4 is a top plan view thereof;
FIG. 5 is a bottom plan view thereof; and,
FIG. 6 is a side elevational view thereof, the opposite side being a mirror image of that shown.

1 Claim, 6 Drawing Sheets



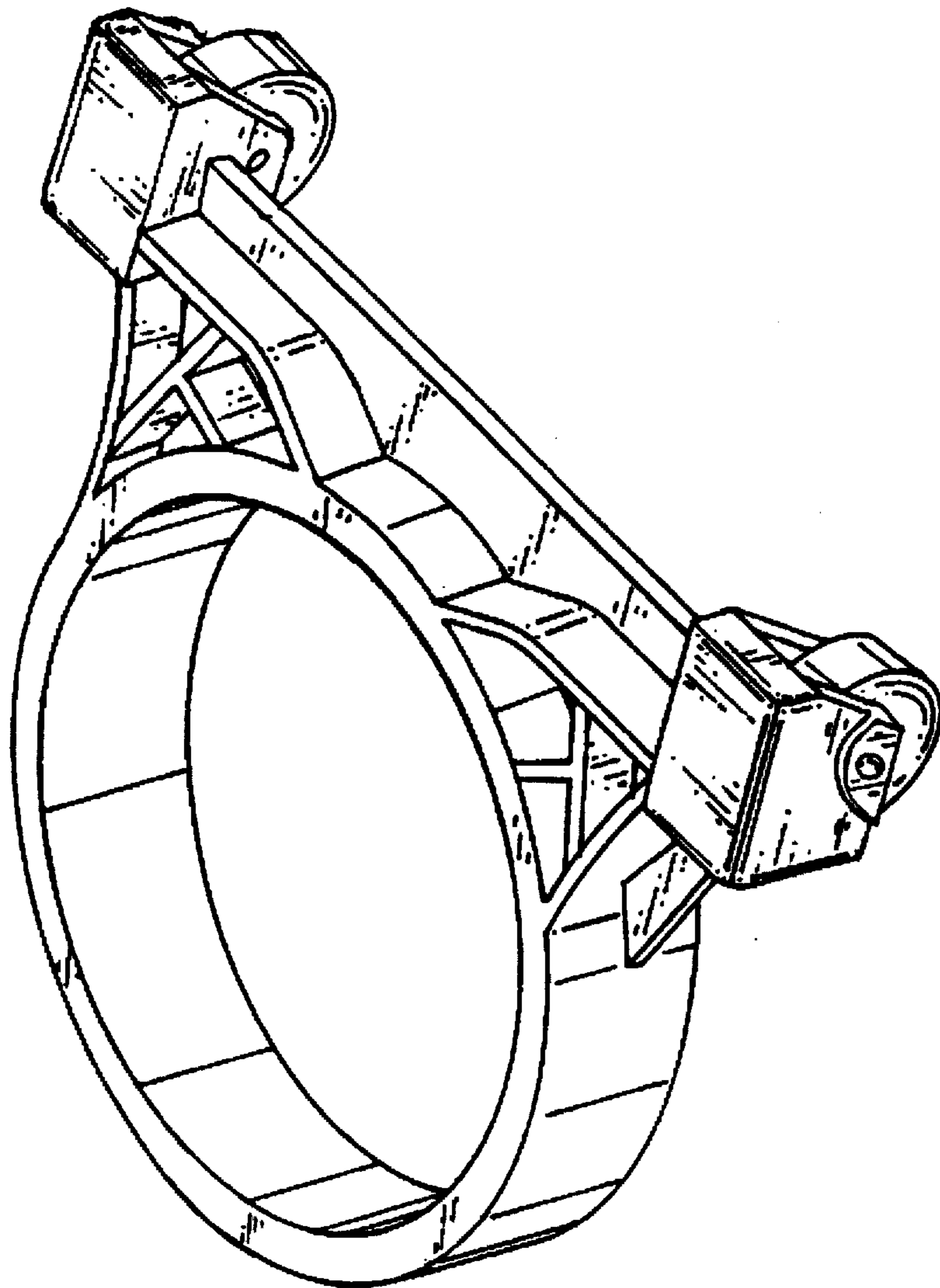


Fig. 1

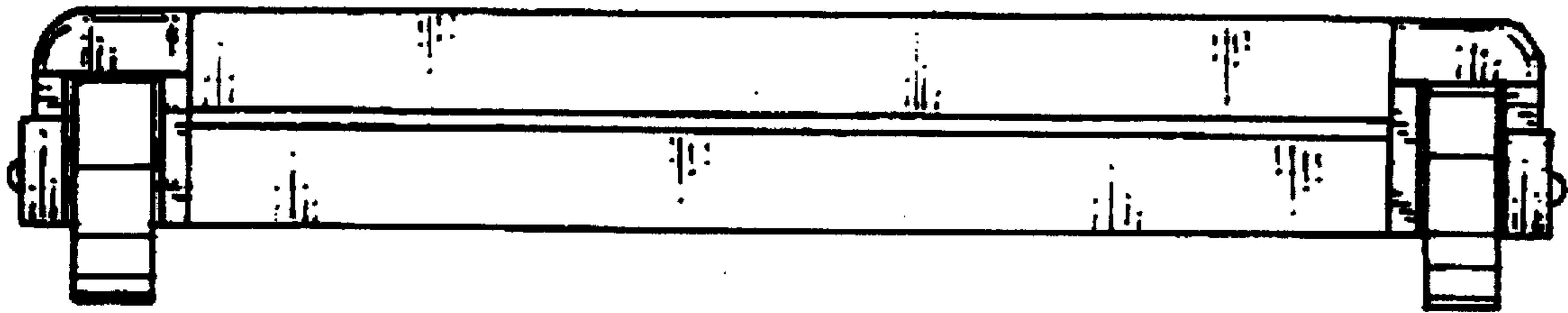


Fig. 2

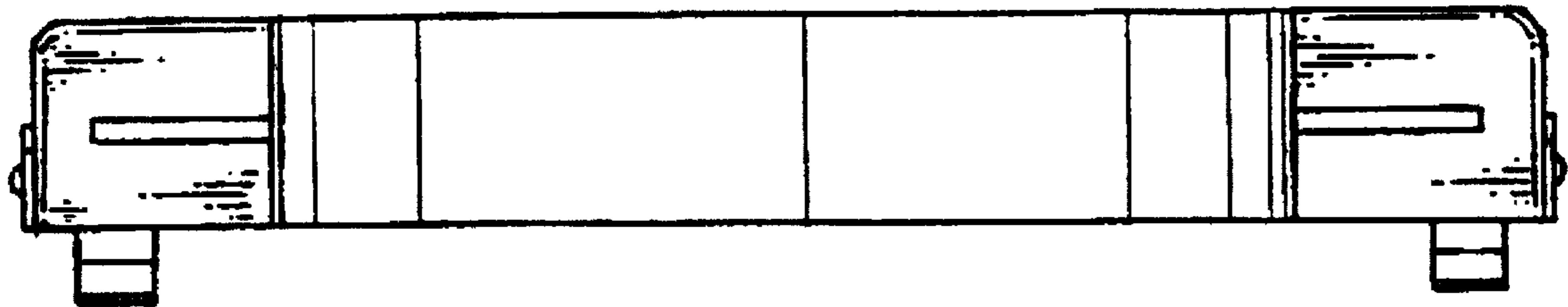


Fig. 3

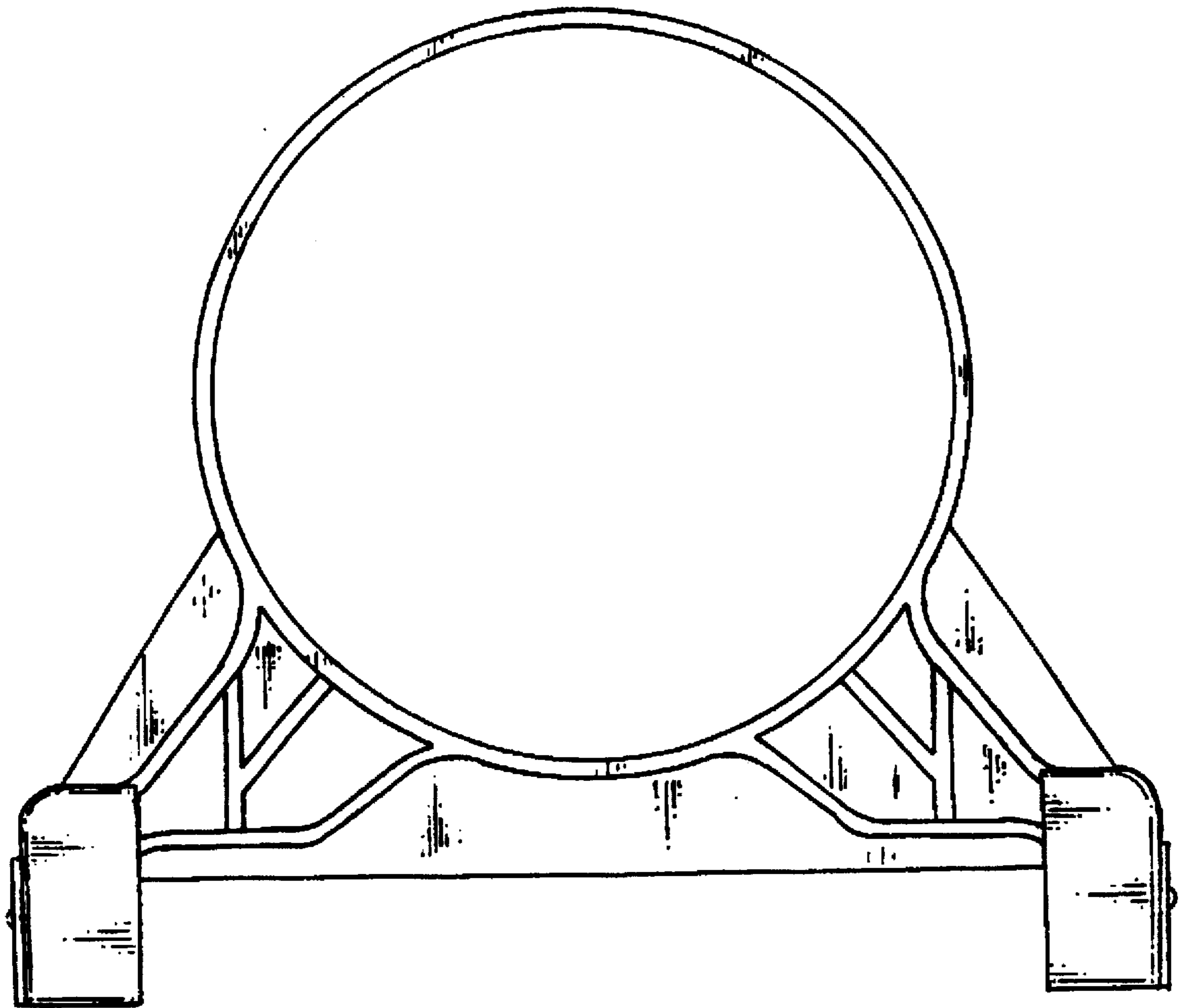


Fig. 4

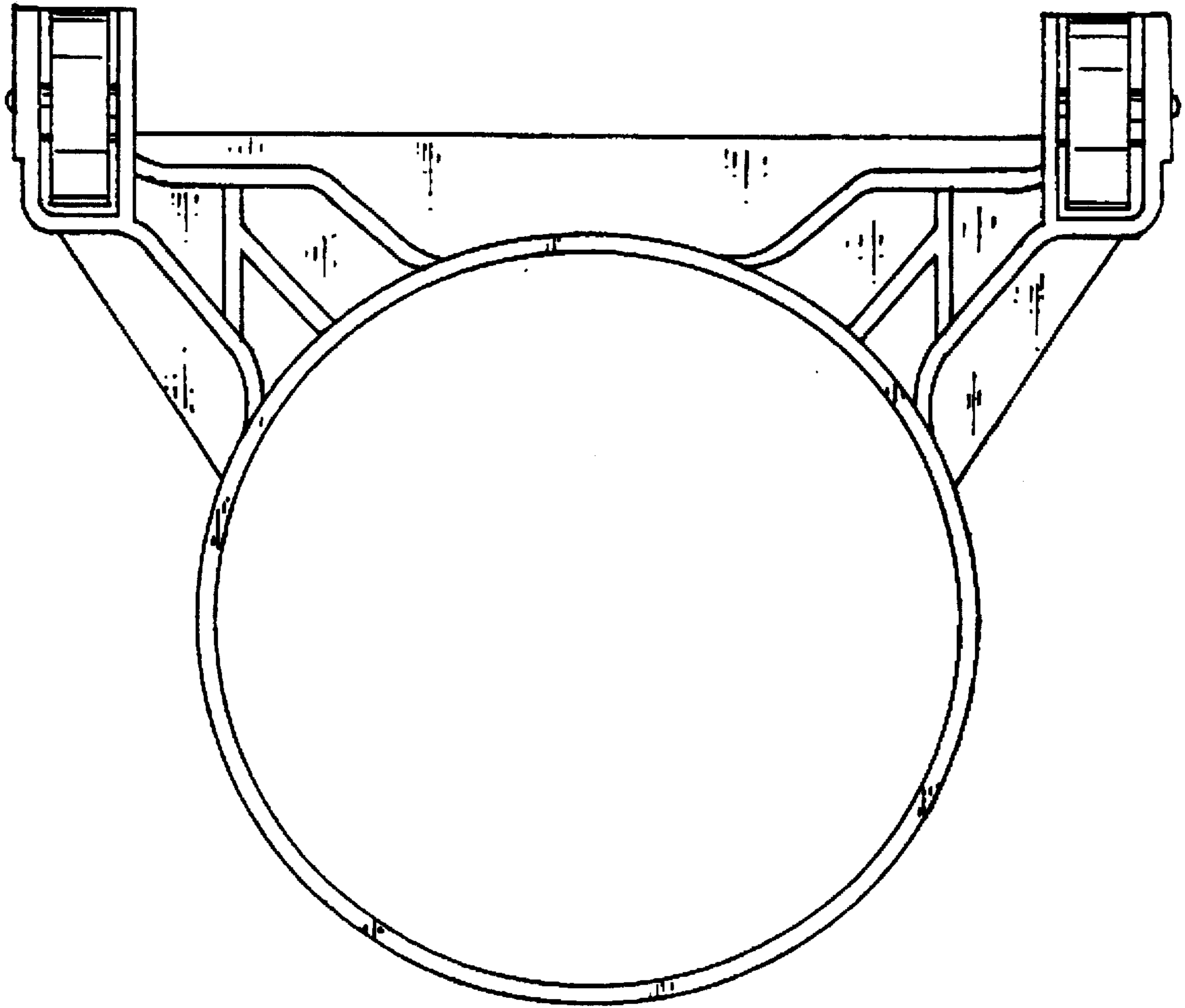


Fig. 5

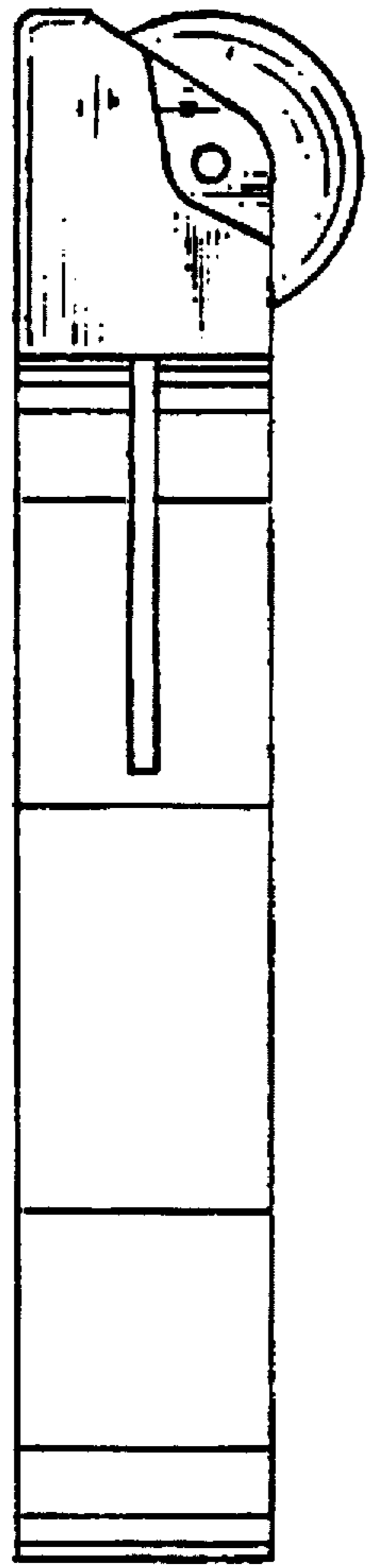


Fig. 6