

US00D385112S

United States Patent [19]
Birnbaum

[11] **Patent Number: Des. 385,112**

[45] **Date of Patent: **Oct. 21, 1997**

[54] **BIN**

[76] **Inventor: Alan H. Birnbaum, 5474 Newcastle Ave., Apt. A-205, Encino, Calif. 91316**

[**] **Term: 14 Years**

[21] **Appl. No.: 14,202**

[22] **Filed: Oct. 15, 1993**

[51] **LOC (6) Cl. 03-01**

[52] **U.S. Cl. D3/313; D19/78**

[58] **Field of Search D3/304, 313; D19/90, D19/77, 78, 475, 476, 467; 206/214, 425; 220/500, 553, 555; 211/126; D28/61, 73; D32/53, 53.1**

[56] **References Cited**

U.S. PATENT DOCUMENTS

- D. 201,716 7/1965 Franklin D3/313
- D. 295,540 5/1988 Rabig D19/90 X
- D. 317,178 5/1991 Khog D19/77 X

- D. 329,154 9/1992 Waterston D6/476
- 1,684,002 9/1928 White 206/373
- 1,932,429 10/1933 Wellman 206/44 R
- 2,502,561 4/1950 Ebert 206/44 K

Primary Examiner—Terry A. Wallace
Assistant Examiner—Richelle Shelton
Attorney, Agent, or Firm—Thomas A. Turner, Jr.

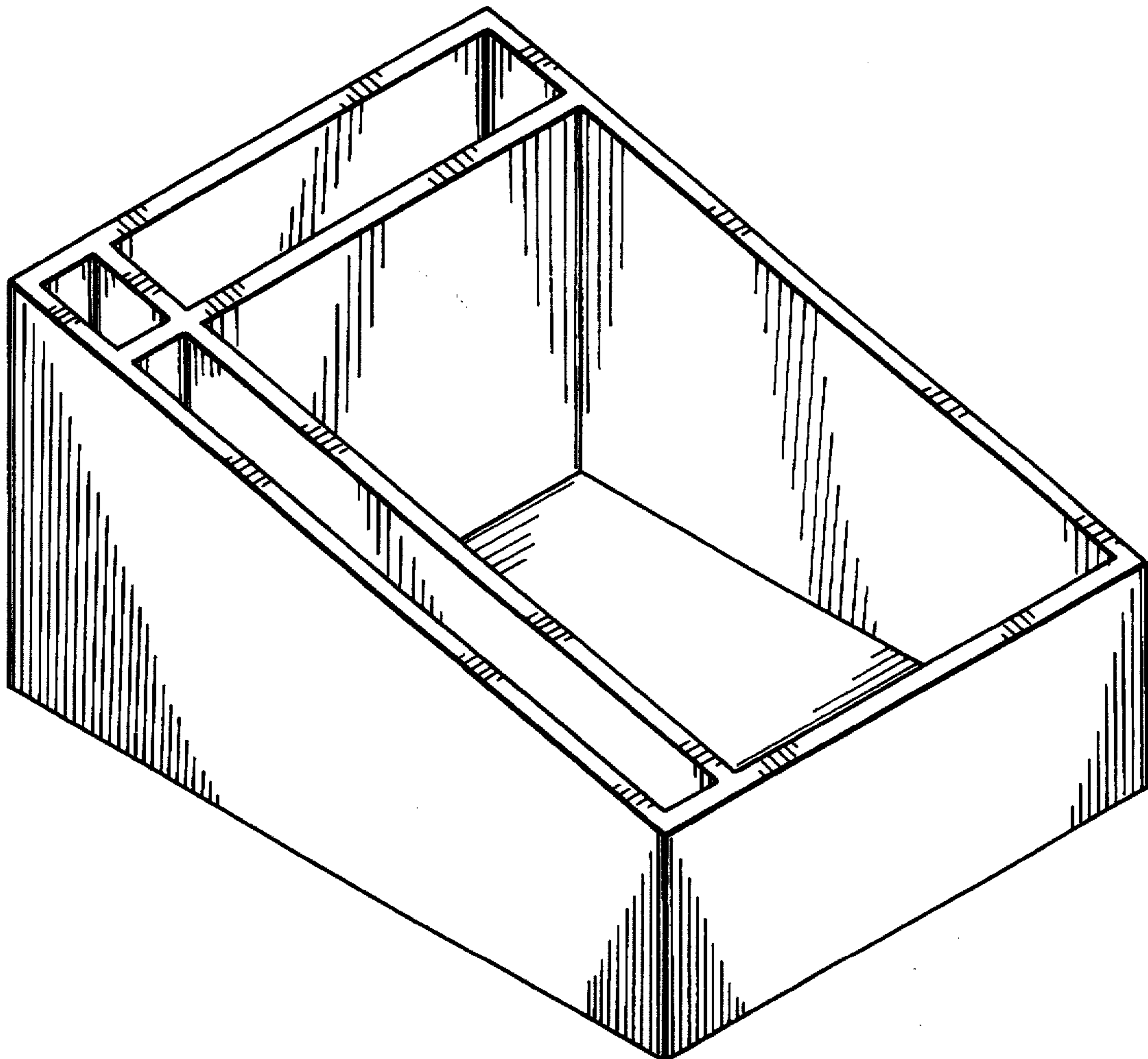
[57] **CLAIM**

The ornamental design for a bin, as shown and described.

DESCRIPTION

FIG. 1 is a top perspective view of a bin showing my new design;
FIG. 2 is a front elevation view thereof;
FIG. 3 is a right side elevational view thereof;
FIG. 4 is a top plan view thereof;
FIG. 5 is a bottom view thereof;
FIG. 6 is a rear elevation view thereof; and,
FIG. 7 is a left side elevation view thereof.

1 Claim, 2 Drawing Sheets



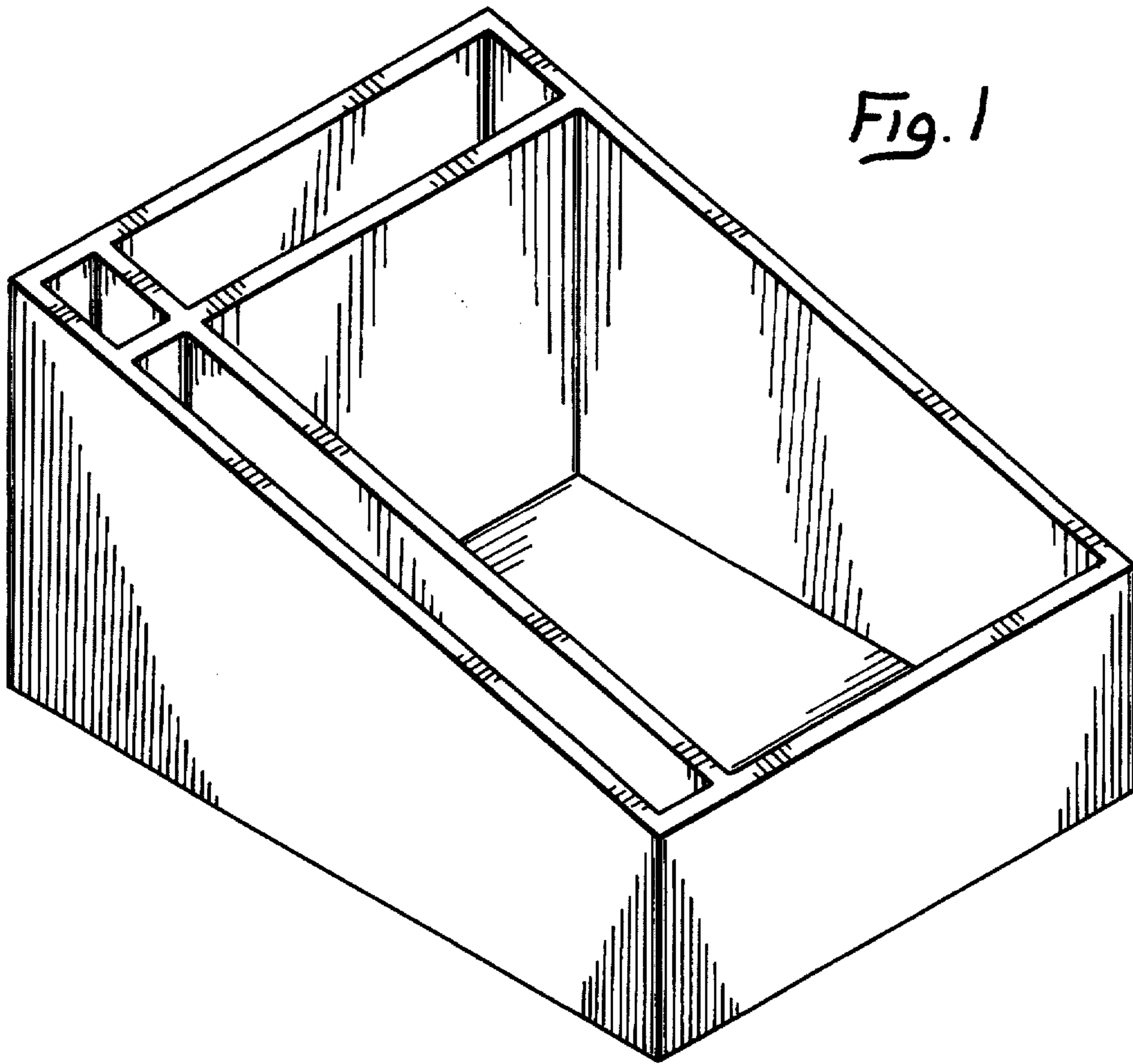


Fig. 1

Fig. 2

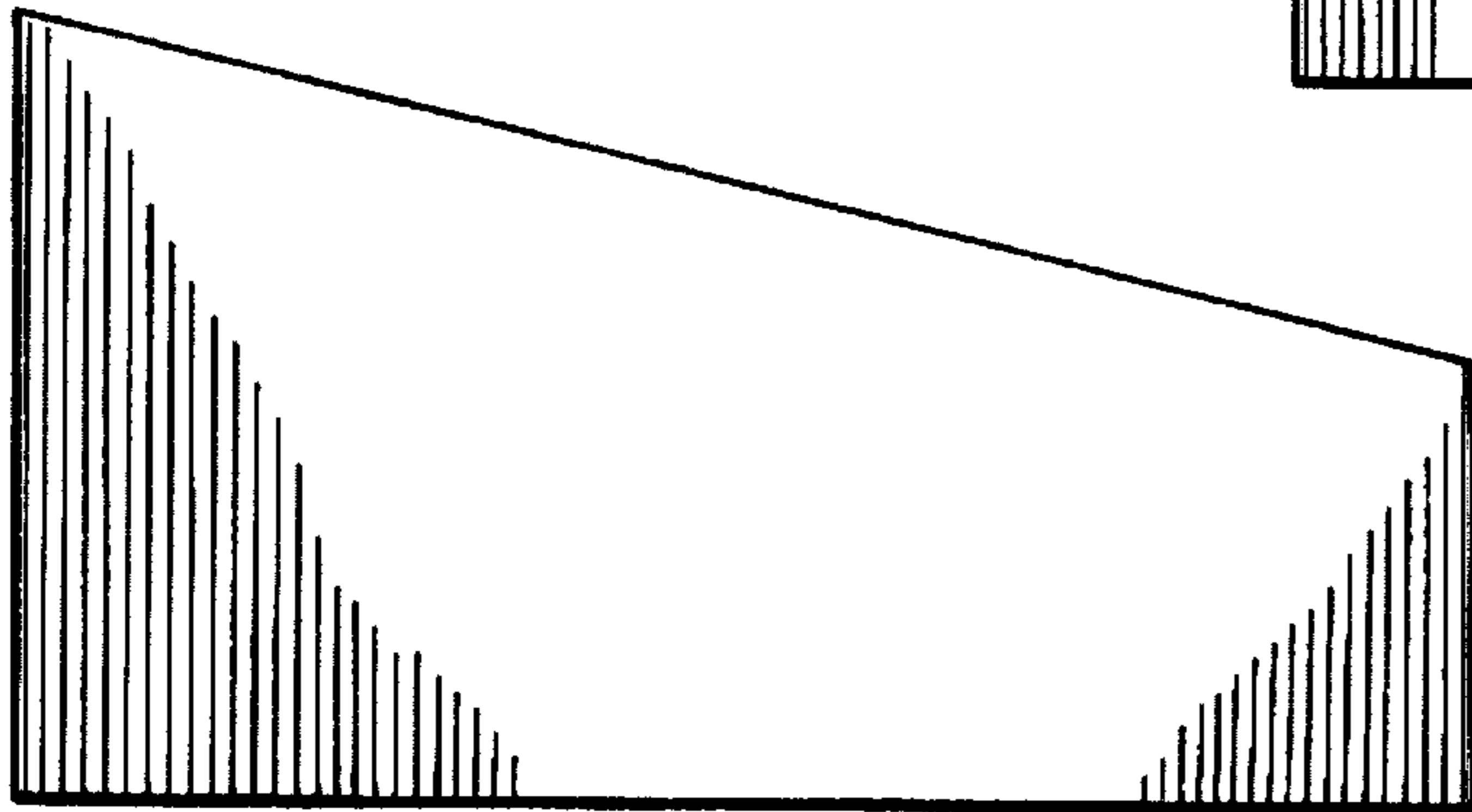
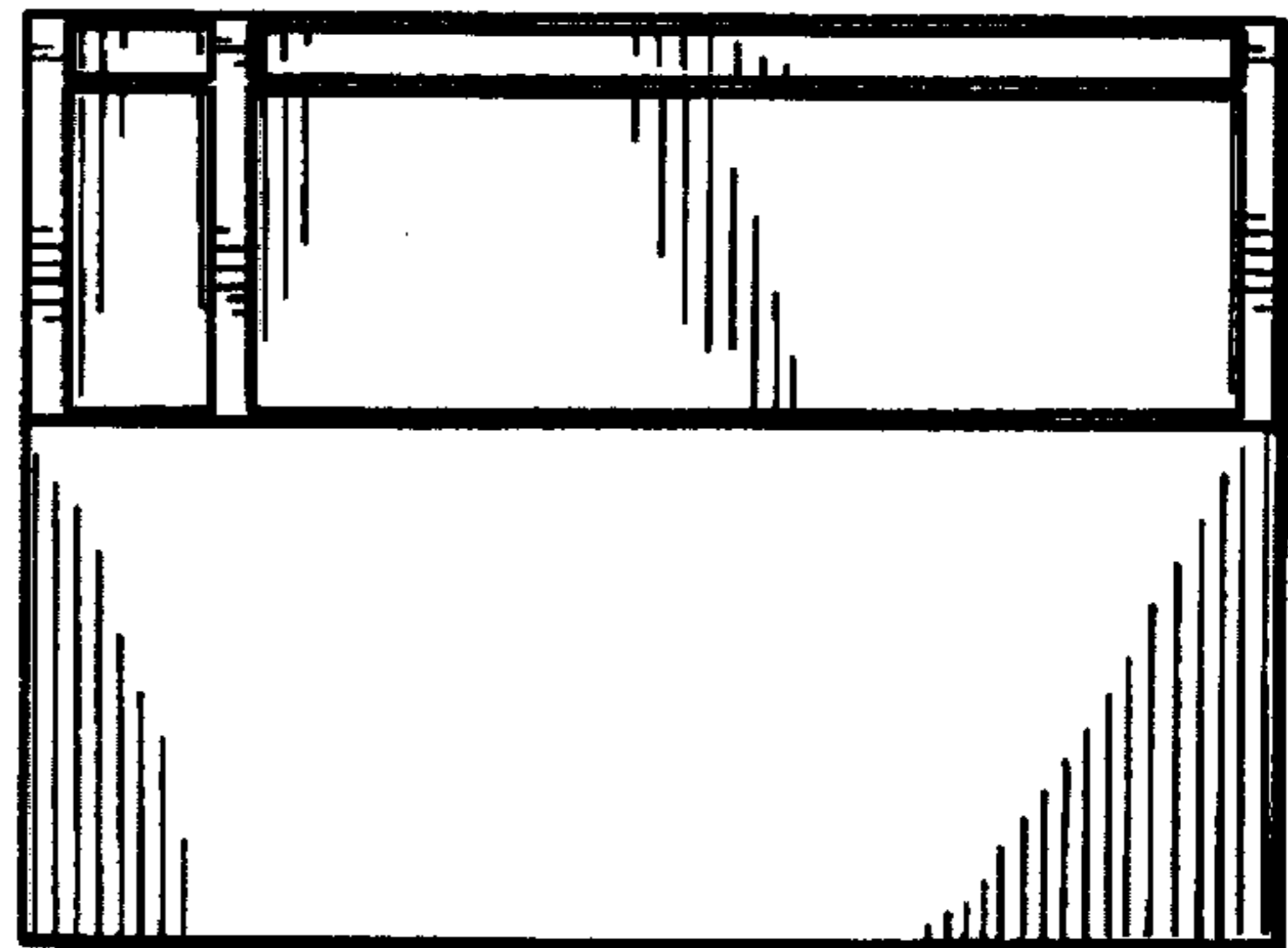


Fig. 3

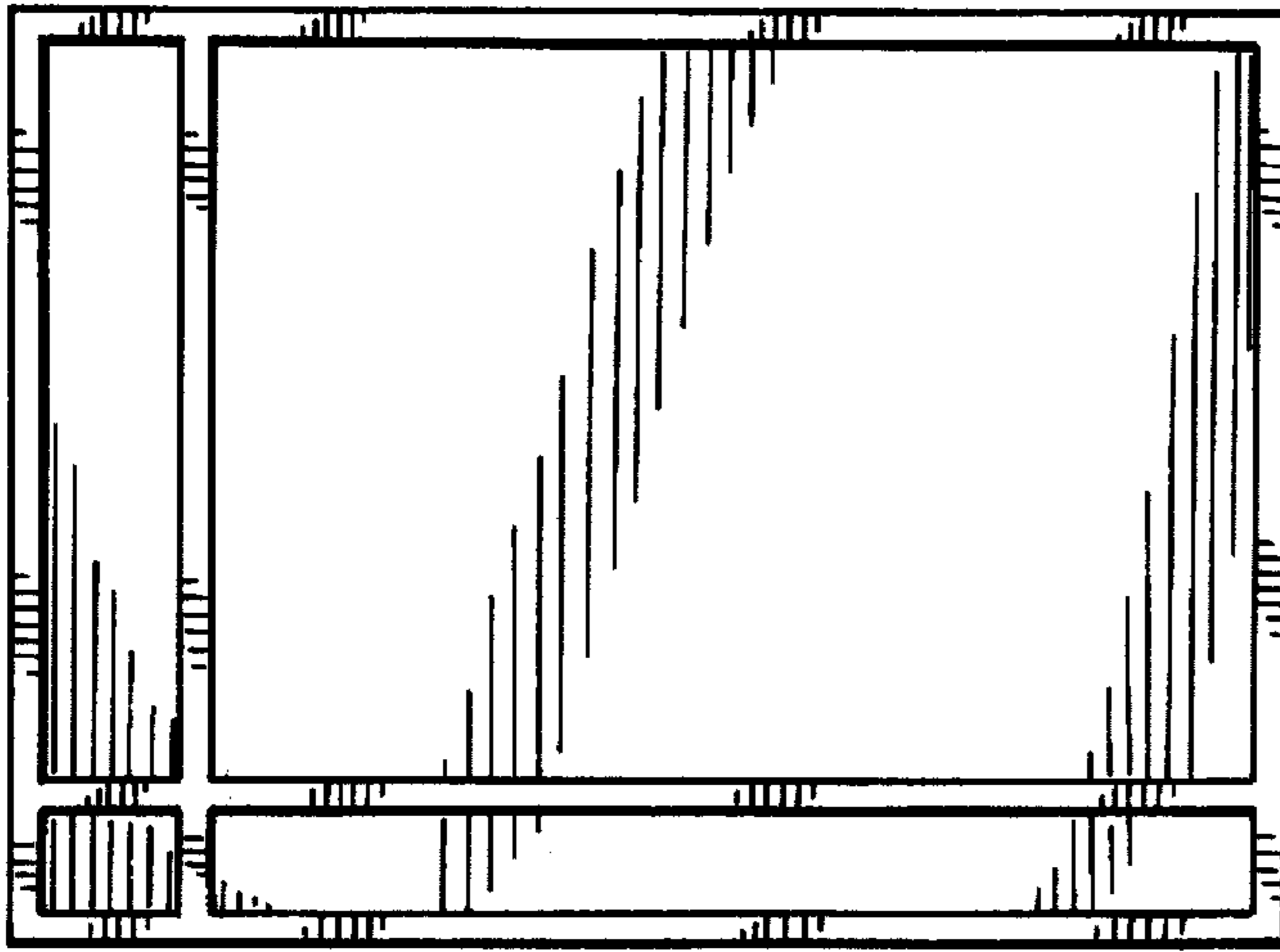


Fig. 4

Fig. 5

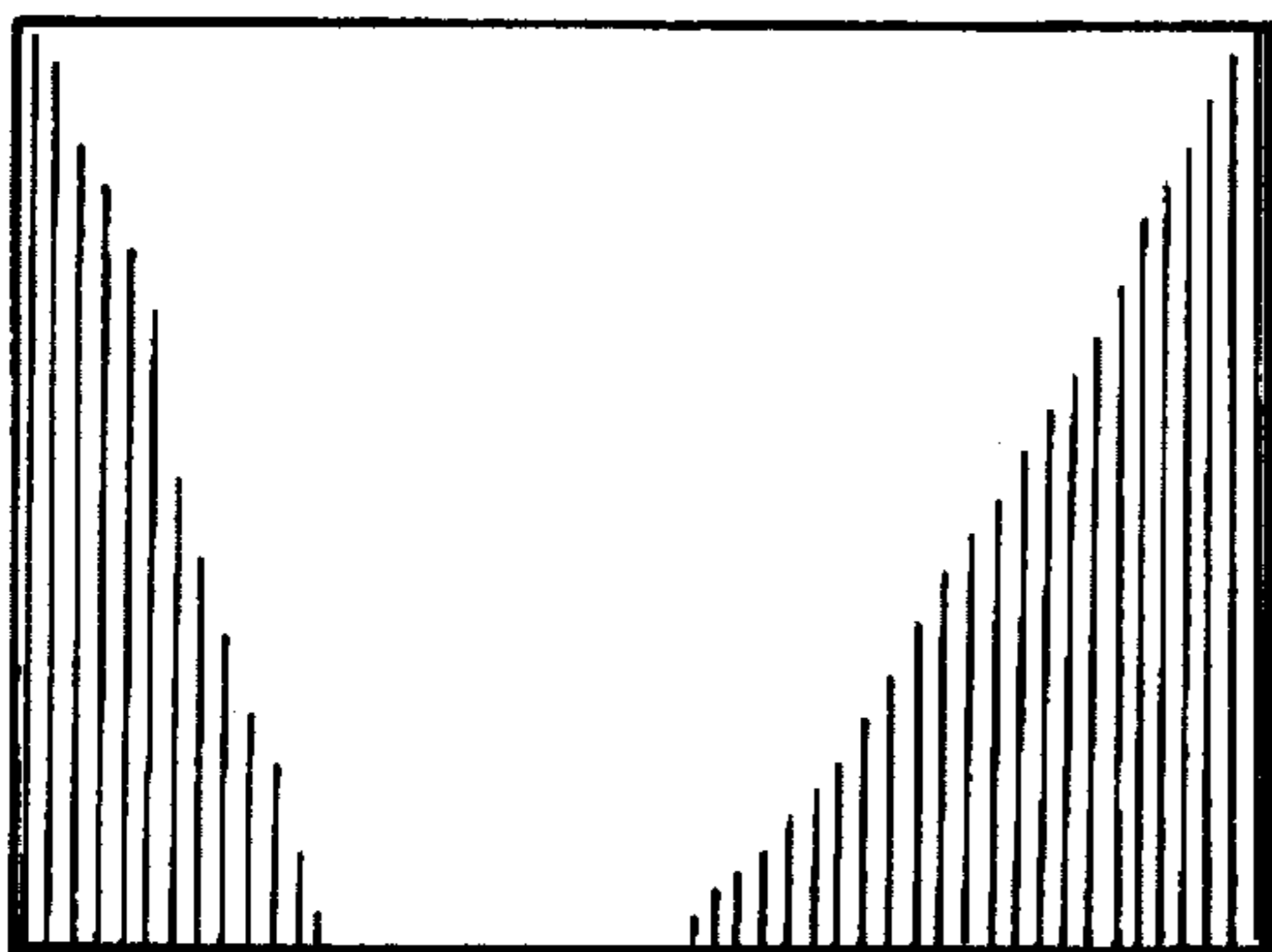
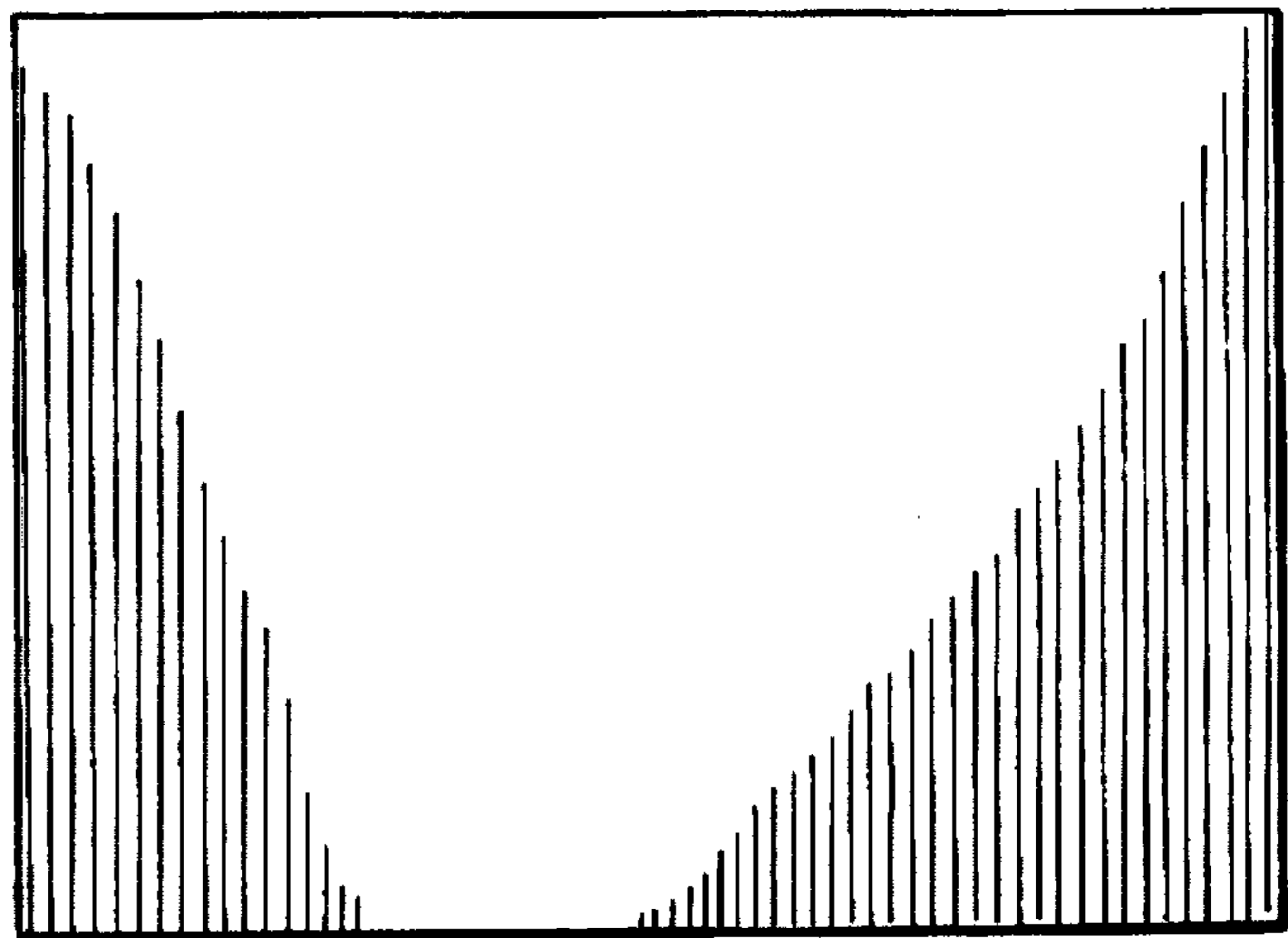


Fig. 6

Fig. 7

