



US00D385110S

United States Patent [19]

Yemini

[11] Patent Number: **Des. 385,110**

[45] Date of Patent: ****Oct. 21, 1997**

[54] **TOOL BOX**

[75] Inventor: **Zvi Yemini**, Tel Aviv, Israel

[73] Assignee: **Zag Ltd.**, Rosh Haayin, Israel

[**] Term: **14 Years**

[21] Appl. No.: **54,588**

[22] Filed: **May 15, 1996**

[51] LOC (6) Cl. **03-01**

[52] U.S. Cl. **D3/282; D3/294; D3/276**

[58] Field of Search **D3/273, 276, 281, D3/282, 294, 283, 905; 220/324, 331, 334; 206/315.1, 315.11, 349, 372, 373, 506, 514; D9/420, 424**

[56] **References Cited**

U.S. PATENT DOCUMENTS

D. 314,666	2/1991	Lanius	D3/281
D. 319,016	8/1991	Kahl	D9/424
D. 321,433	11/1991	Dickinson	D3/905
D. 326,775	6/1992	Skillius	D3/281
D. 328,425	8/1992	Brightbill	D9/424

D. 328,819	8/1992	Hanna et al.	D3/281
D. 329,747	9/1992	Embree	D3/272
D. 330,329	10/1992	Brightbill	D3/302
D. 334,662	4/1993	van Berne	D3/272
D. 361,659	8/1995	Kahl et al.	D3/905
D. 367,958	3/1996	Tisbo et al.	D3/273

Primary Examiner—Philip S. Hyder
Attorney, Agent, or Firm—Mark M. Friedman

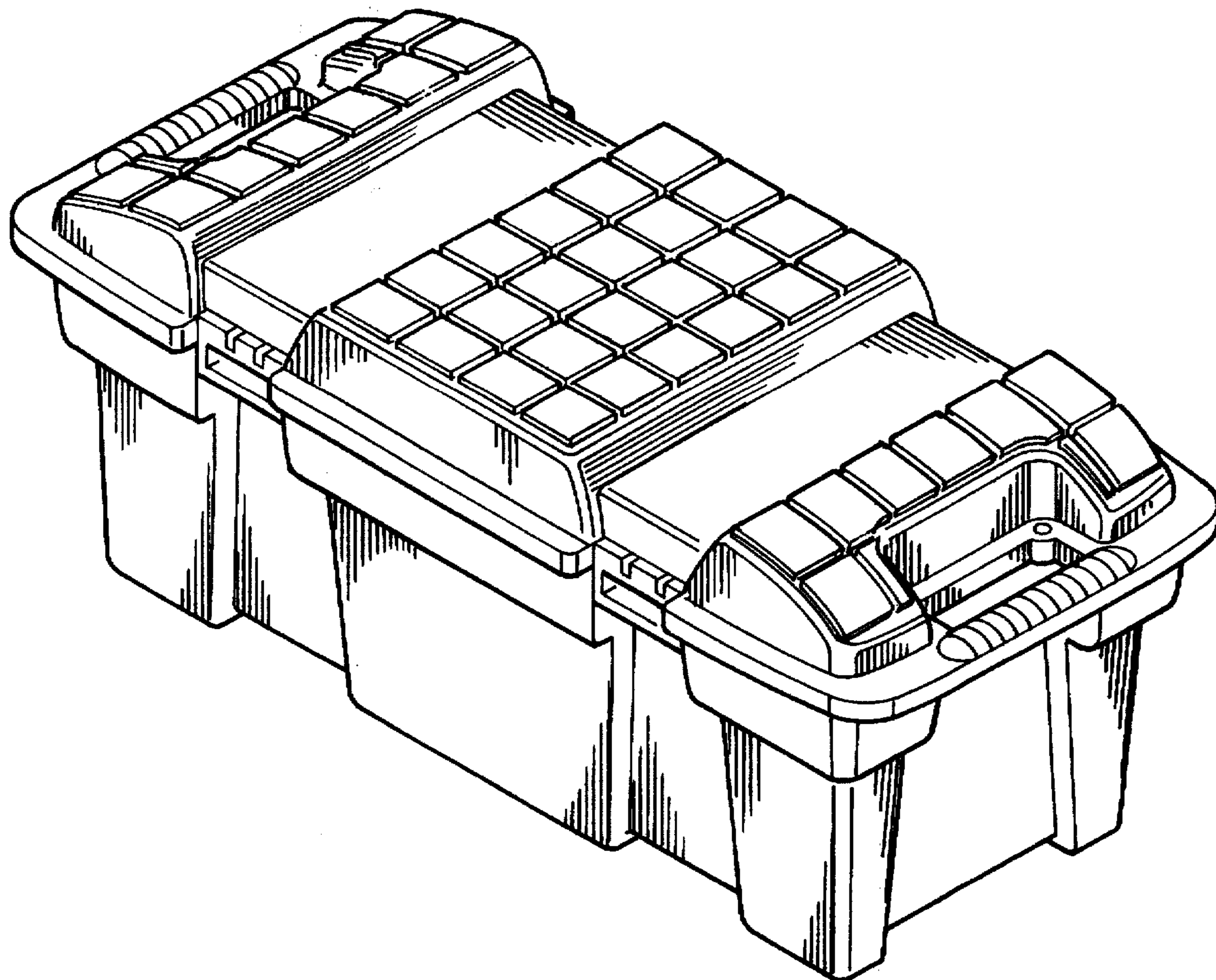
[57] **CLAIM**

The ornamental design for a tool box, as shown.

DESCRIPTION

FIG. 1 is a top view showing the cover of a tool box showing my new design;
FIG. 2 is a front view of a tool box showing my new design;
FIG. 3 is a rear view of a tool box showing my new design;
FIG. 4 is a top view of a tool box showing my new design with the cover removed;
FIG. 5 is a right view of a tool box showing my new design;
FIG. 6 is a left view of a tool box showing my new design;
and,
FIG. 7 is a perspective of a tool box showing my new design.

1 Claim, 6 Drawing Sheets



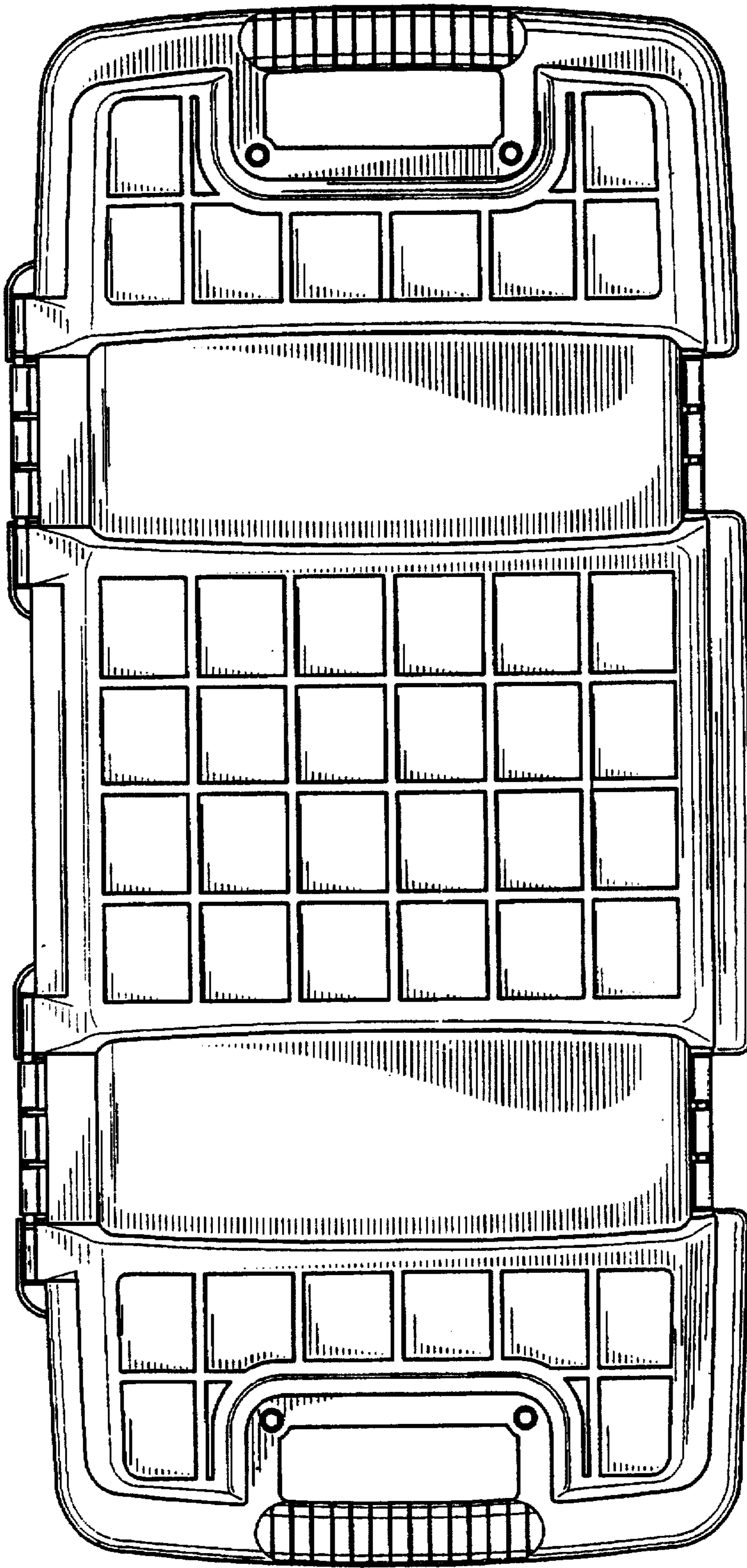


FIG. 1

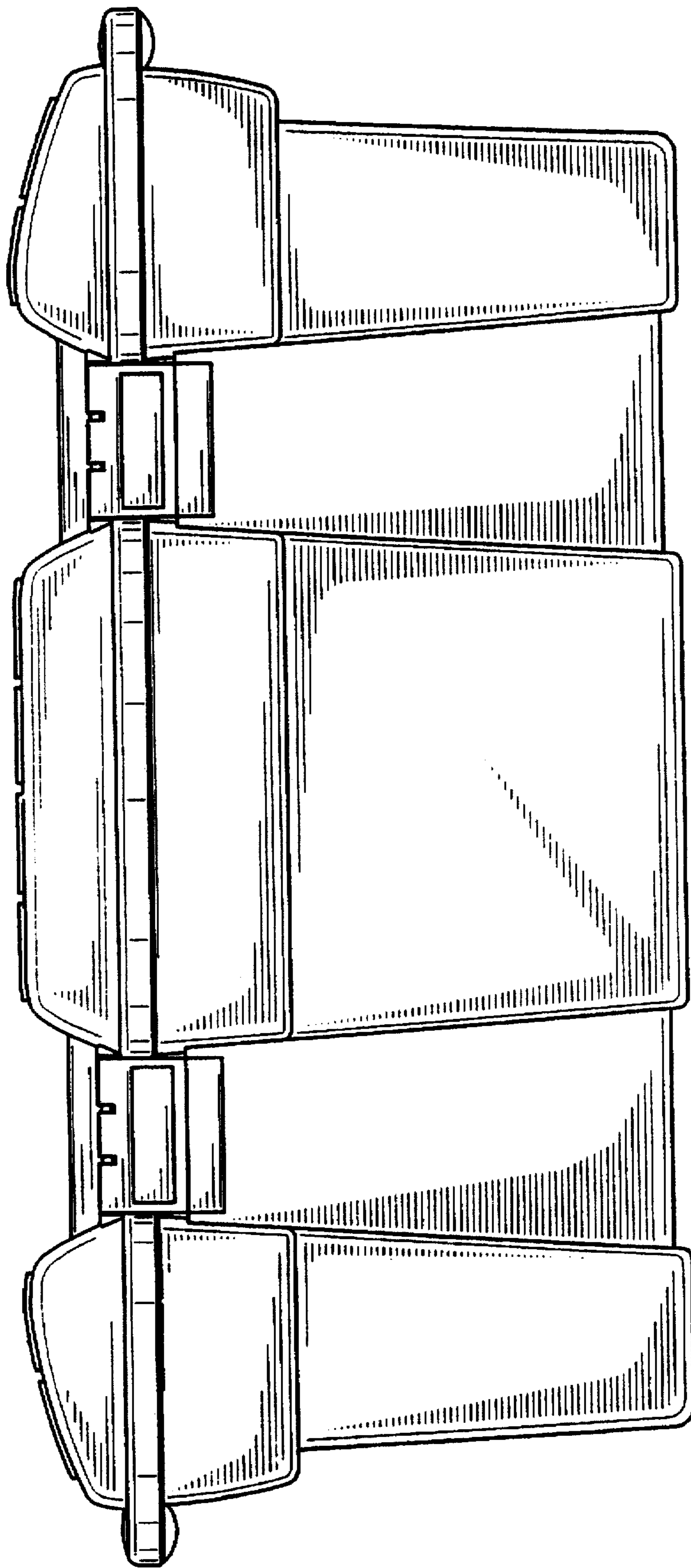


FIG. 2

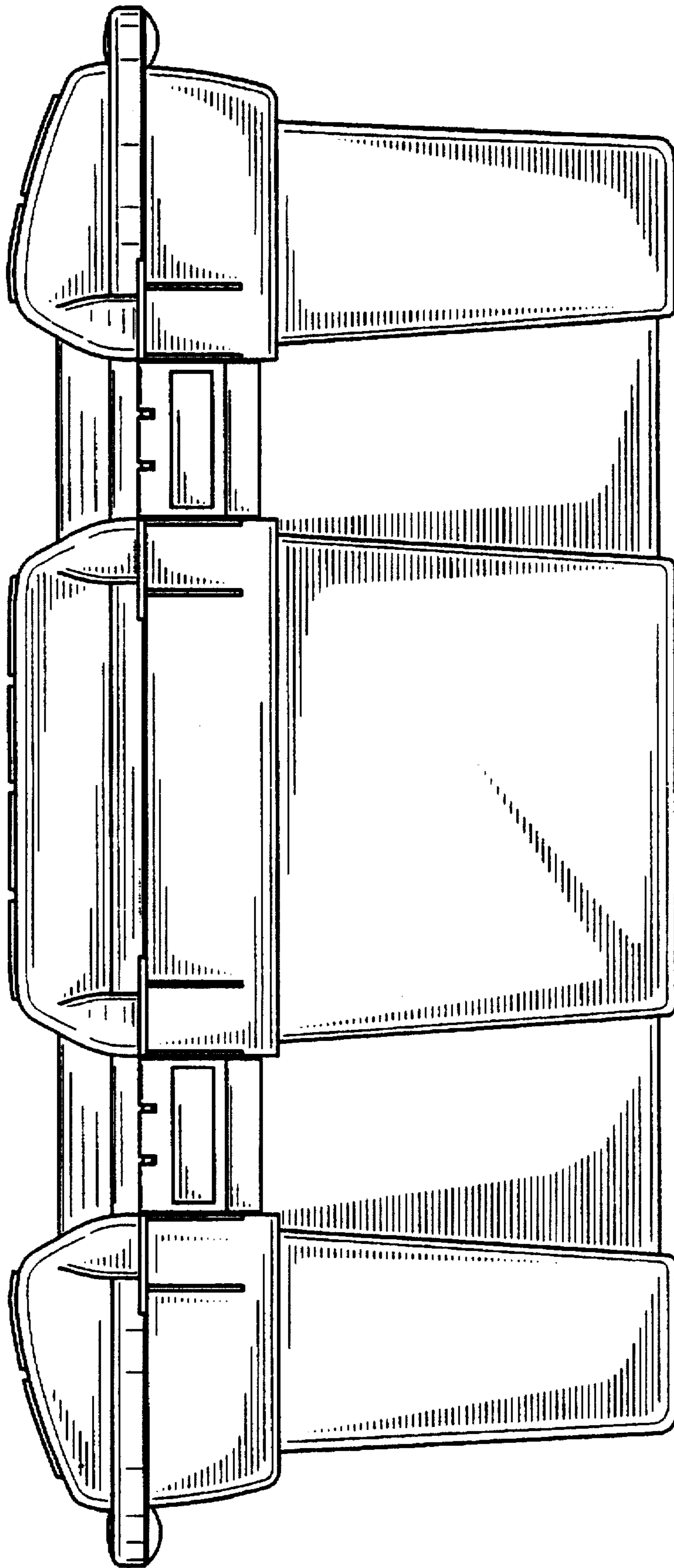


FIG. 3

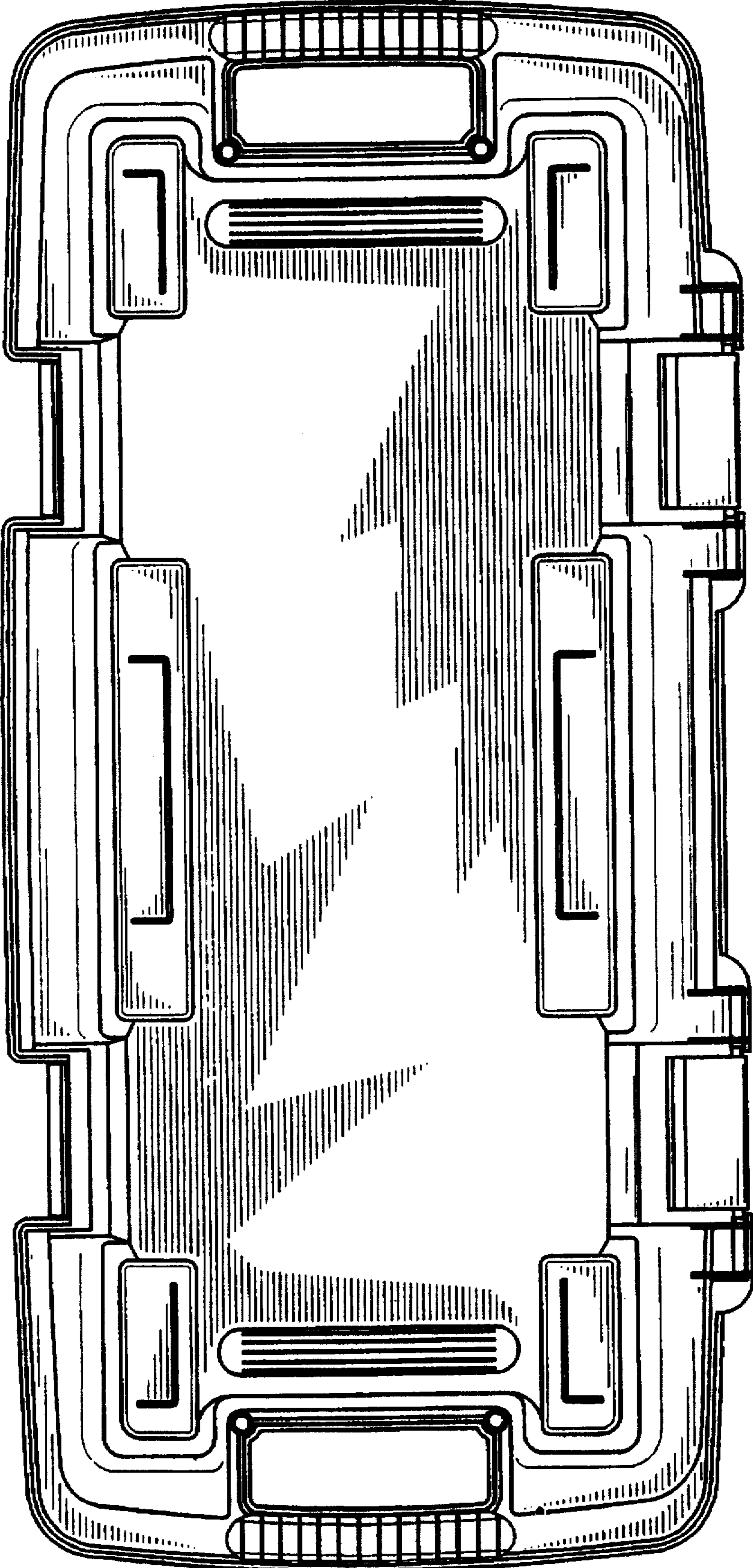


FIG.4

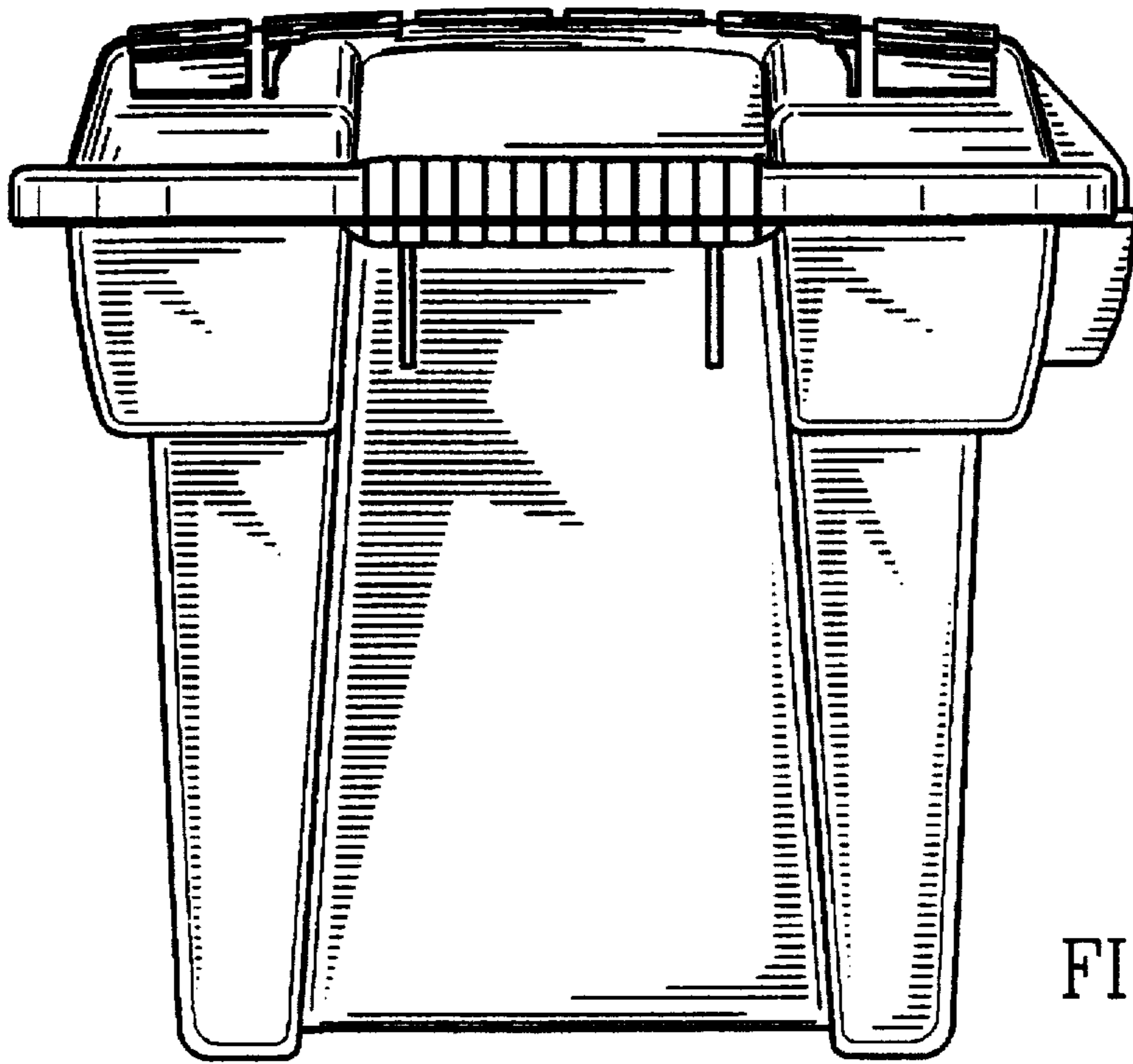


FIG. 5

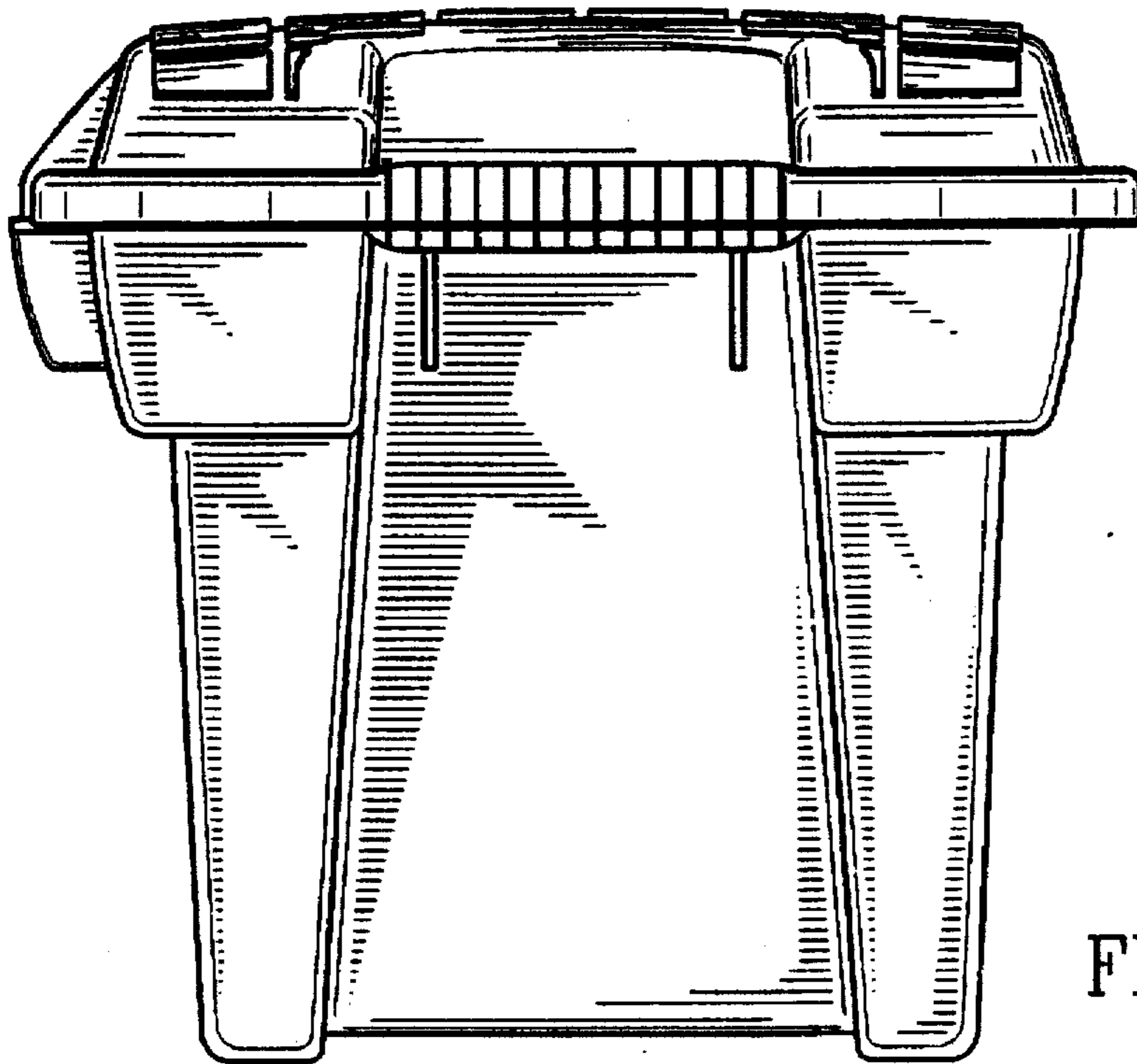


FIG. 6

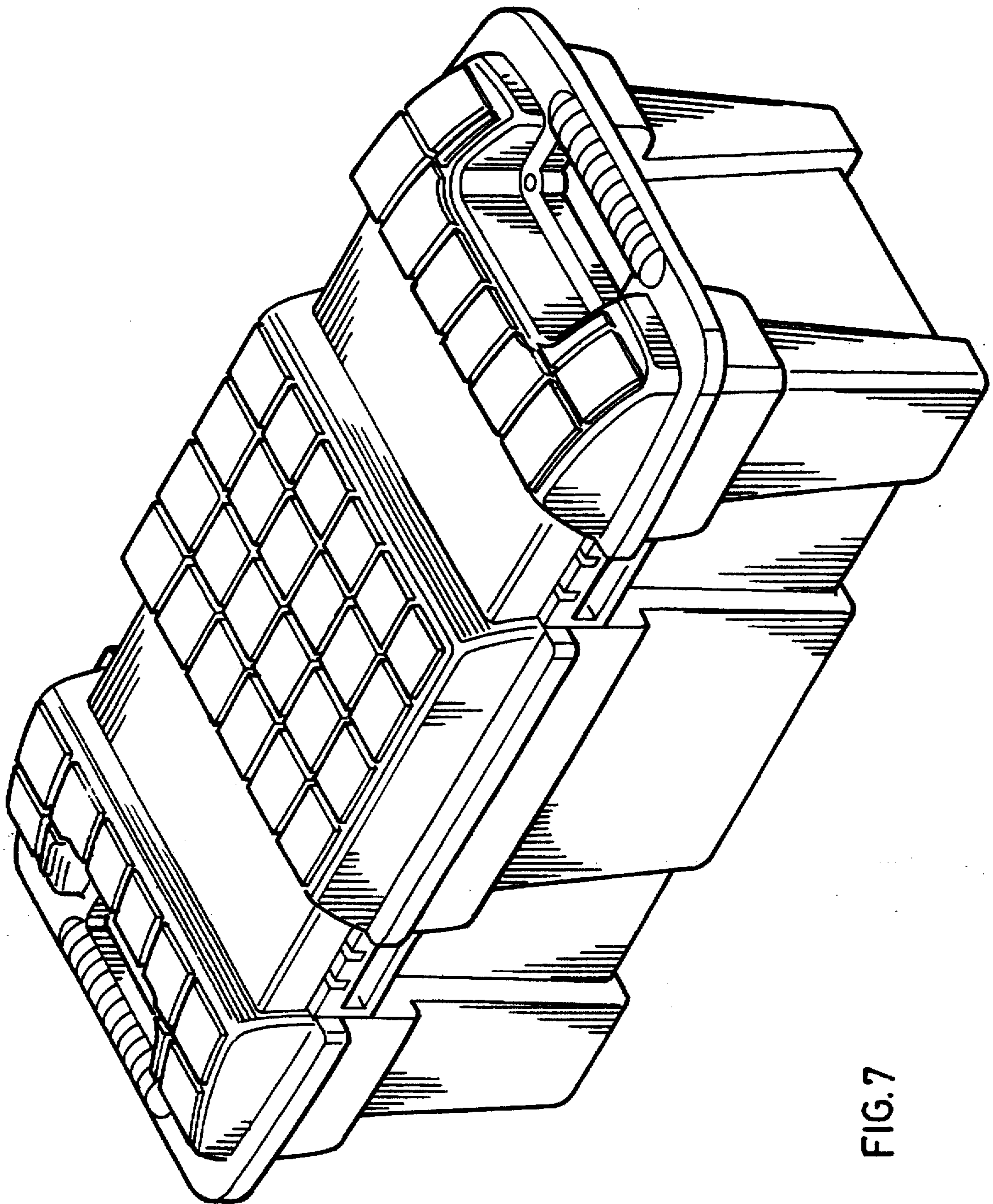


FIG. 7