



US00D385109S

United States Patent [19]
Stäheli

[11] **Patent Number: Des. 385,109**

[45] **Date of Patent: **Oct. 21, 1997**

[54] **TOOL CASE**

[75] **Inventor: Heinz Stäheli, Grabs, Switzerland**

[73] **Assignee: Hilti Aktiengesellschaft, Furstentum, Liechtenstein**

[**] **Term: 14 Years**

[21] **Appl. No.: 48,806**

[22] **Filed: Dec. 22, 1995**

[30] **Foreign Application Priority Data**

Jun. 23, 1995 [XH] Hague Agreement DM 033322

[51] **LOC (6) Cl. 03-01**

[52] **U.S. Cl. D3/281; D3/294; D3/905**

[58] **Field of Search D3/272, 273, 274, D3/281, 282, 294; 190/100, 109, 111, 112, 115; 206/349, 320, 372, 373, 315.1**

[56] **References Cited**

U.S. PATENT DOCUMENTS

D. 321,985	12/1991	Ward	D3/282
D. 347,114	5/1994	Tengvall	D3/905
D. 347,731	6/1994	Hayakawa et al.	D3/282
D. 357,117	4/1995	Huang	D3/276
D. 358,709	5/1995	Chang	D3/276
D. 364,957	12/1995	Turbowitz	D3/281
4,998,616	3/1991	Hillinger	206/372
5,114,007	5/1992	Chen	206/373
5,145,064	9/1992	Chen	206/373
5,472,110	12/1995	Boyd et al.	206/373

Primary Examiner—Philip S. Hyder
Attorney, Agent, or Firm—Anderson Kill & Olick, P.C.

[57] **CLAIM**

The ornamental design for a tool case, as shown and described.

DESCRIPTION

FIG. 1 is a perspective view of a first embodiment of a tool

case according to the invention;

FIG. 2 is a front view;

FIG. 3 is a rear view;

FIG. 4 is a view from above;

FIG. 5 is a bottom view;

FIG. 6 is a view from one side;

FIG. 7 is a view from the other side;

FIG. 8 is a front view of said first embodiment of a tool case with its handle swivelled into carrying position;

FIG. 9 is a perspective of a second embodiment of a tool case according to the invention;

FIG. 10 is a front view;

FIG. 11 is a rear view;

FIG. 12 is a view from above;

FIG. 13 is a bottom view;

FIG. 14 is a view from one side;

FIG. 15 is a view from the other side;

FIG. 16 is a front view of said second embodiment of a tool case with its handle swivelled into carrying position;

FIG. 17 is a perspective view of a third embodiment of a tool case according to the invention;

FIG. 18 is a front view;

FIG. 19 is a rear view;

FIG. 20 is a view from above;

FIG. 21 is a bottom view;

FIG. 22 is a view from one side;

FIG. 23 is a view from the other side; and,

FIG. 24 is a front view of said third embodiment of a tool case with its handle swivelled into carrying position.

1 Claim, 12 Drawing Sheets

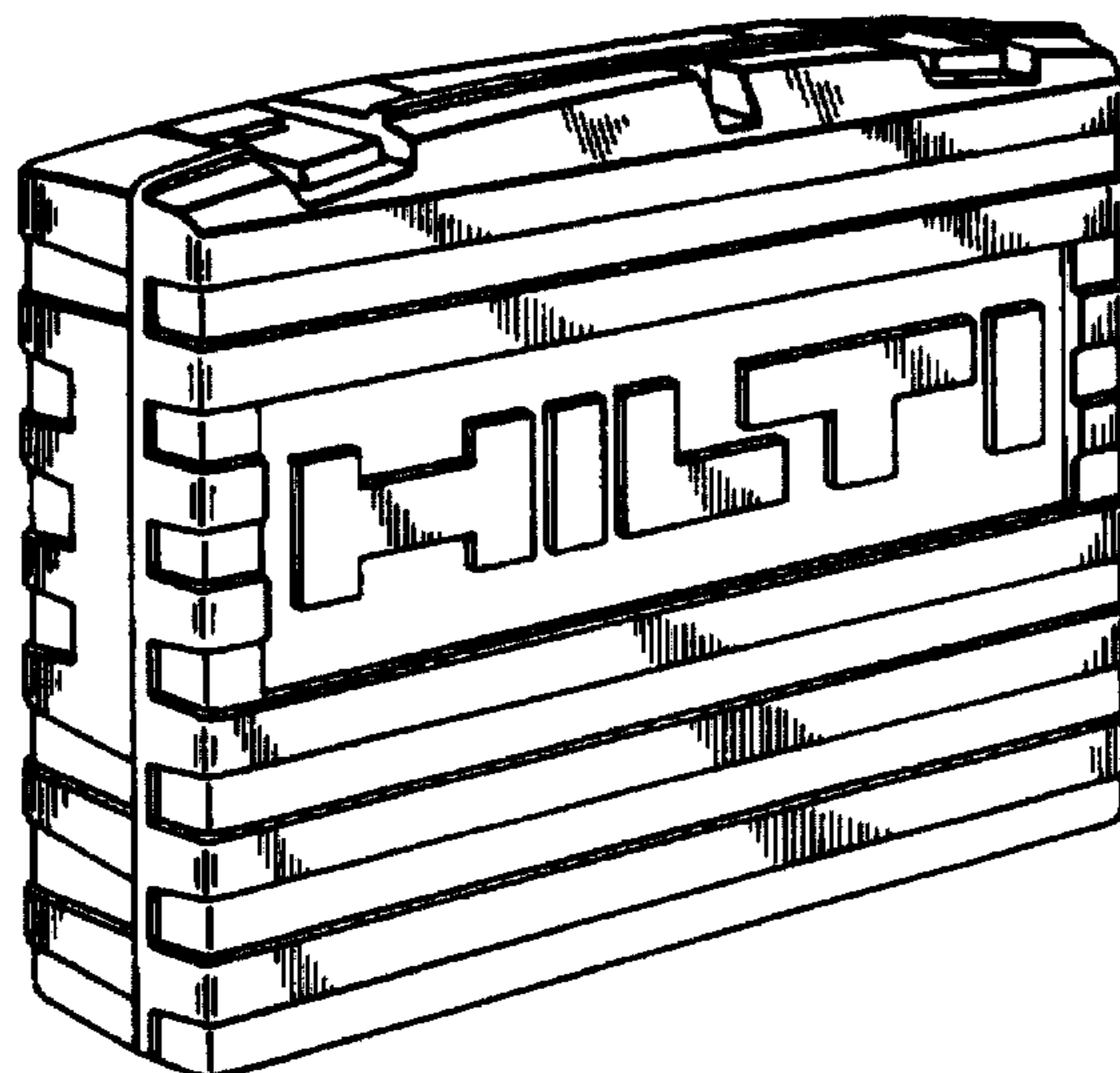


Fig. 1

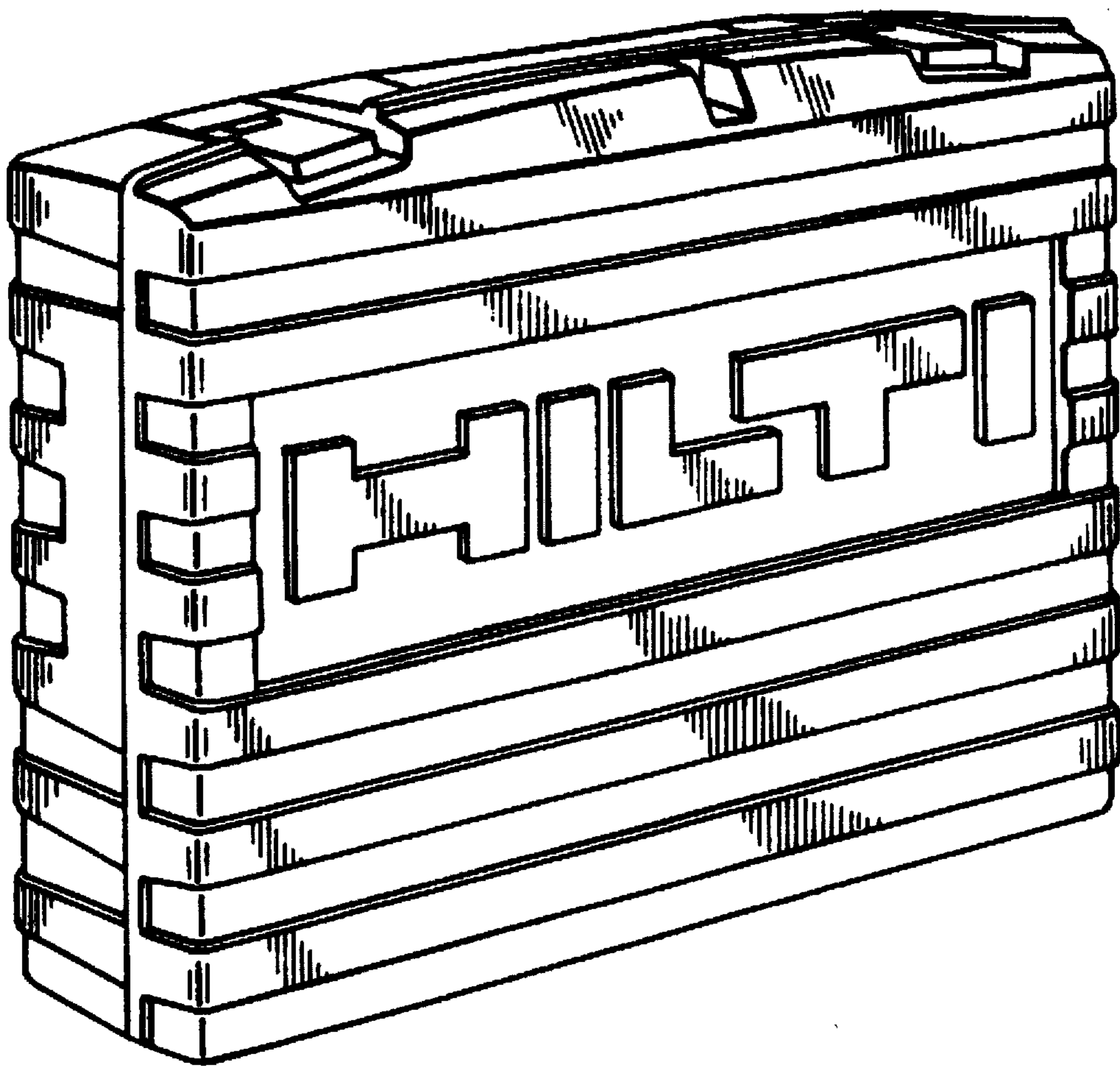


Fig. 2

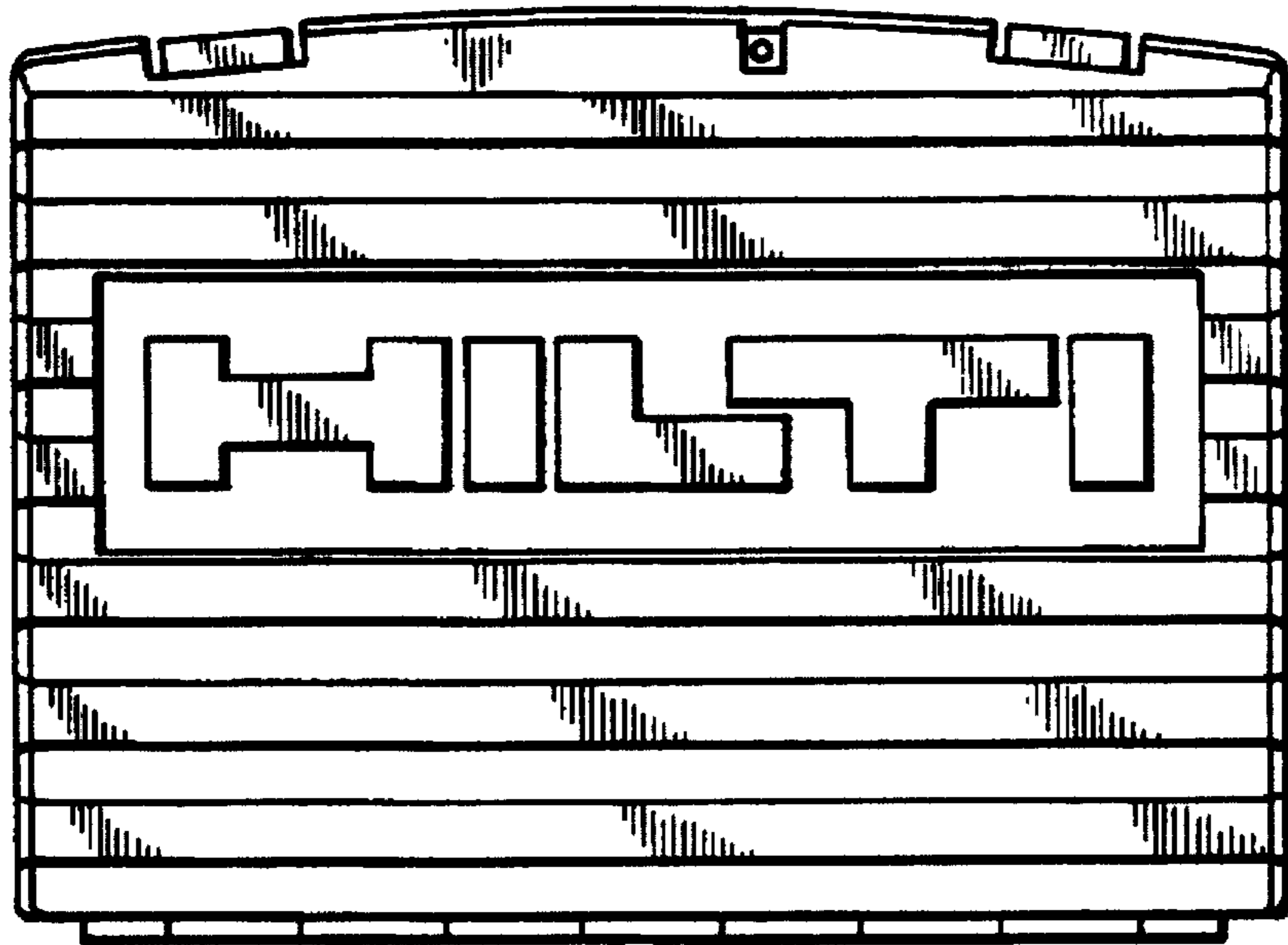


Fig. 3

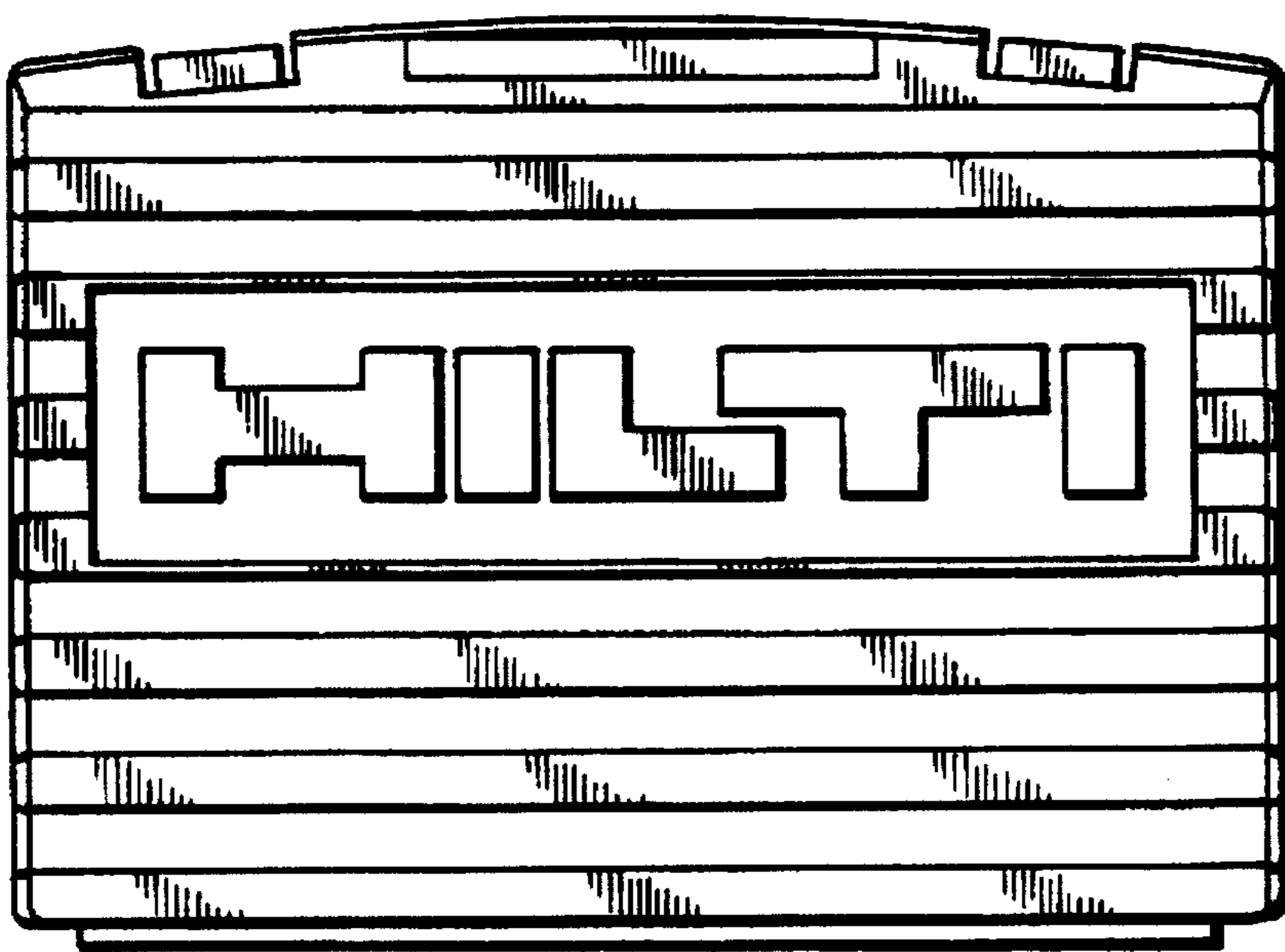


Fig. 4

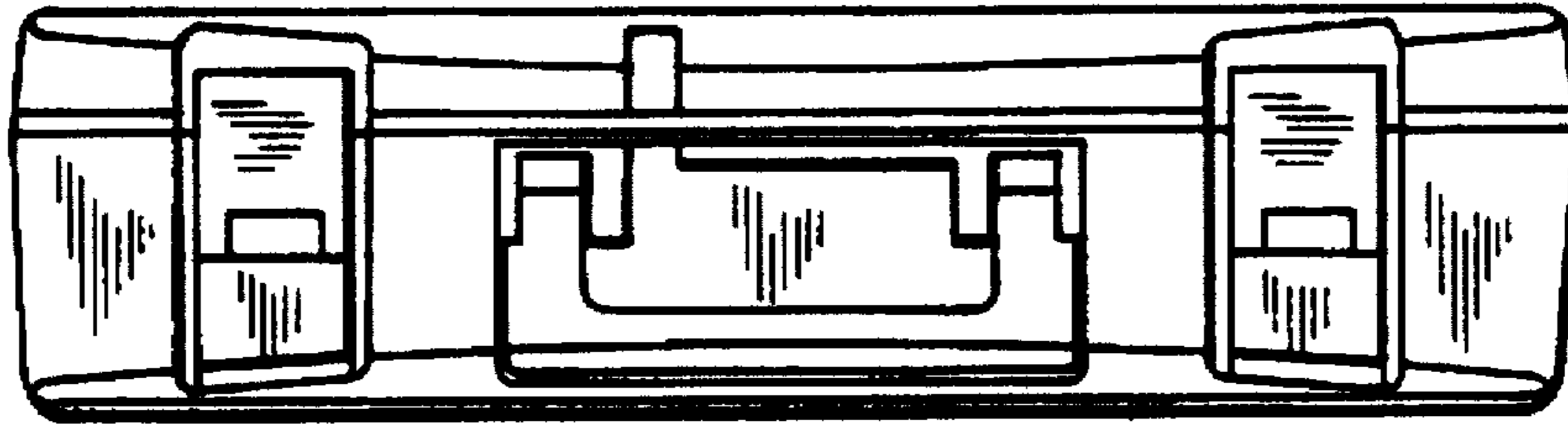


Fig. 5

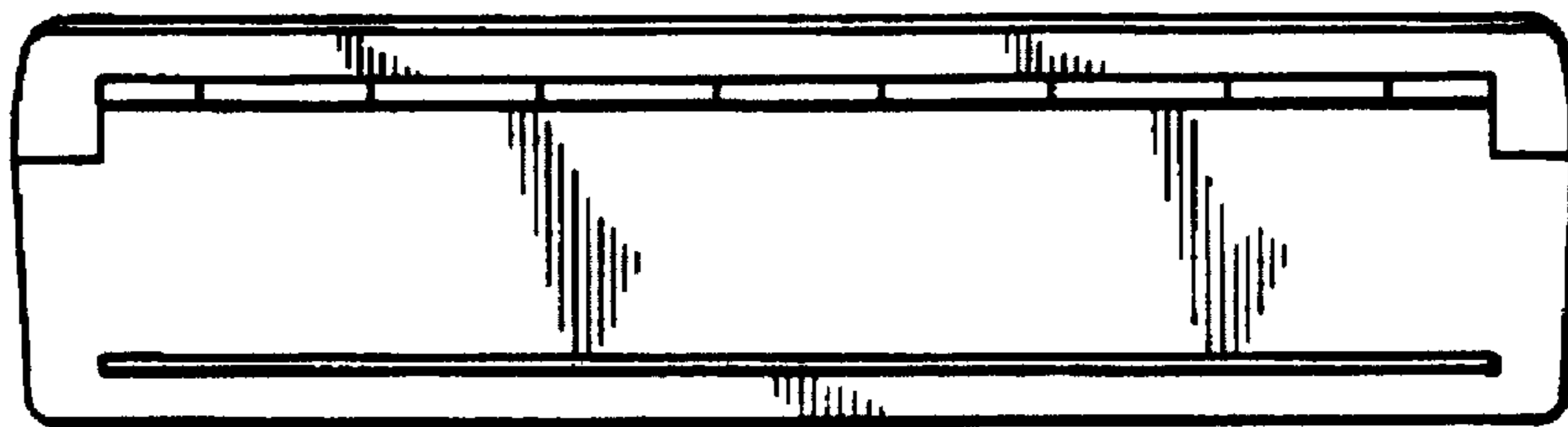


Fig. 6

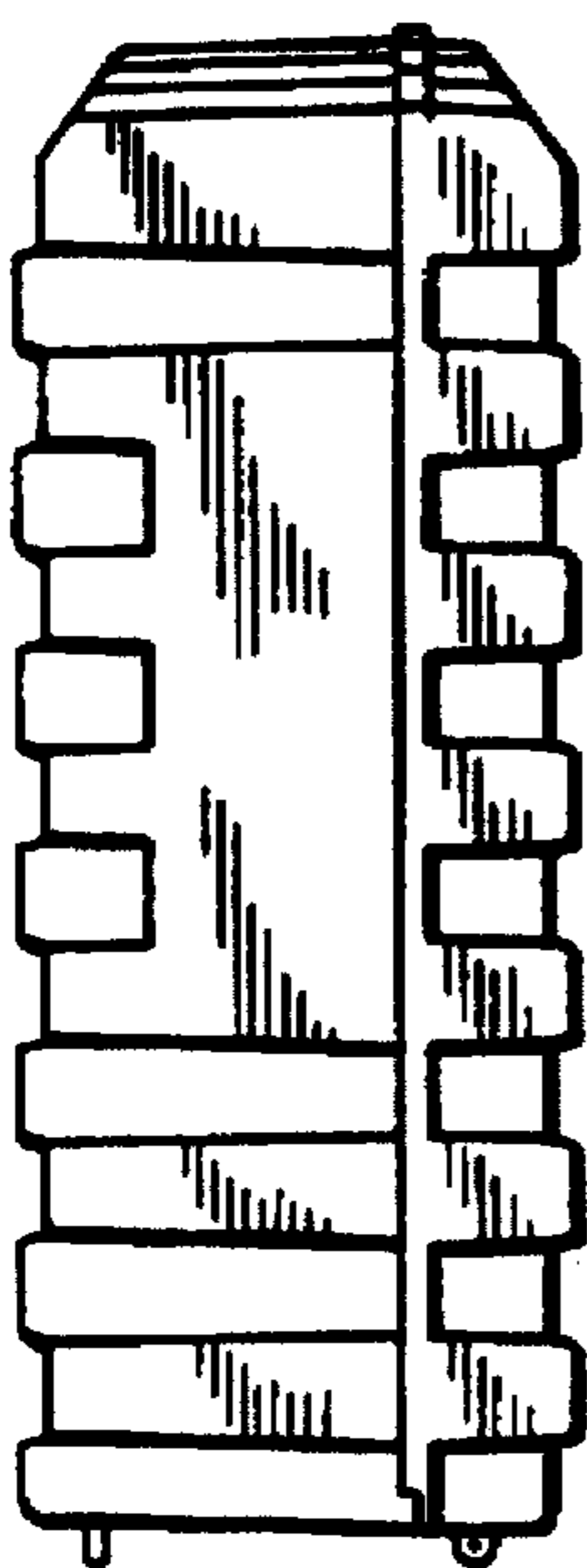


Fig. 7

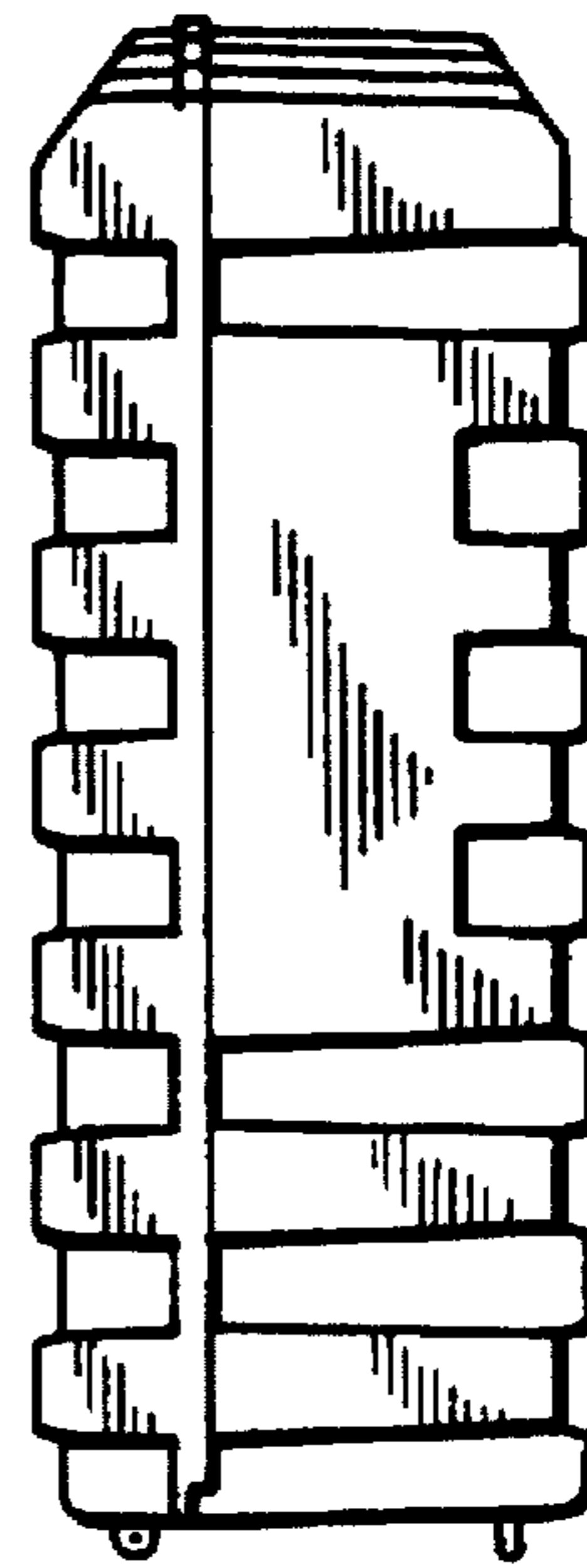


Fig. 8

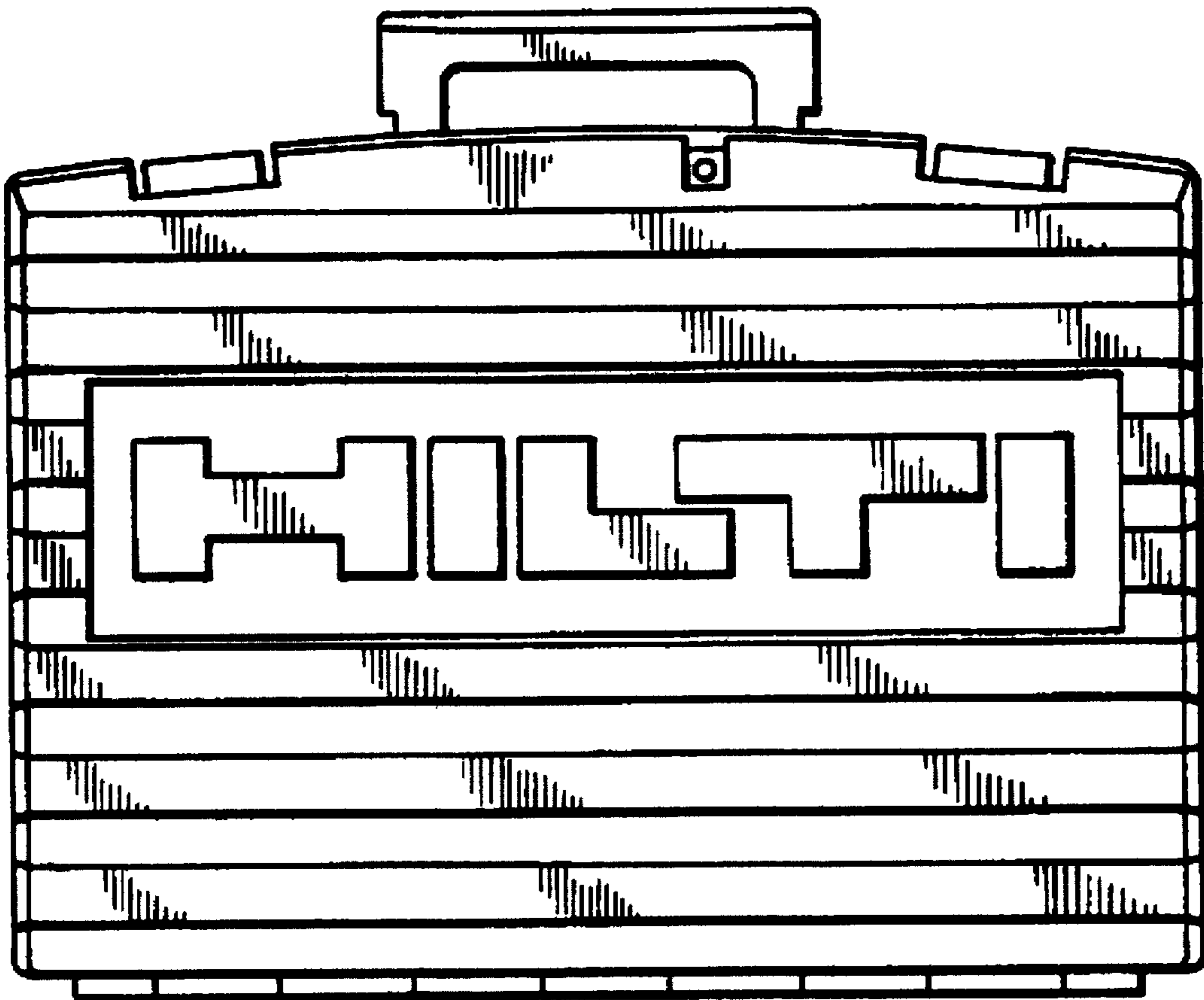


Fig. 9

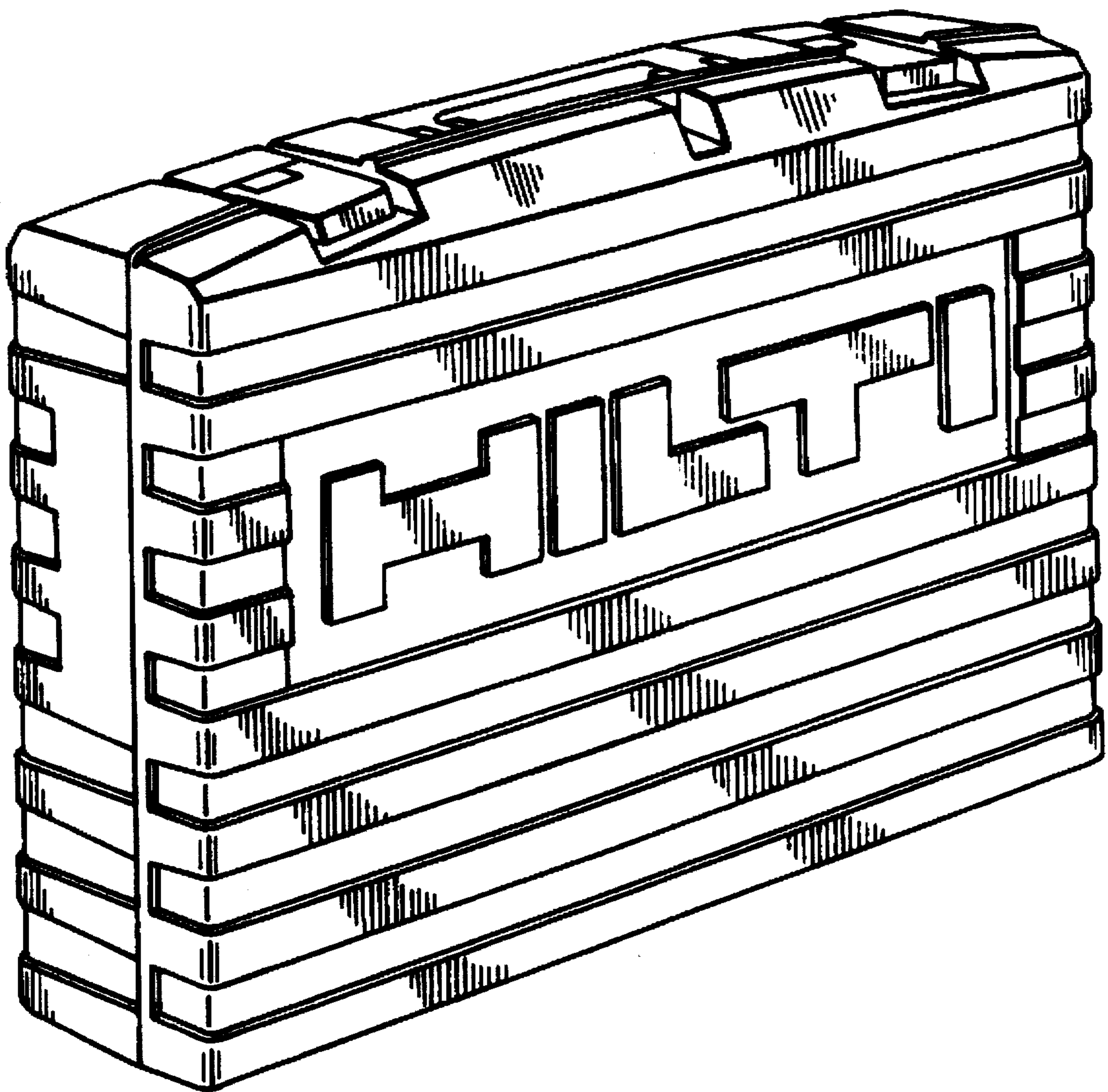


Fig. 10

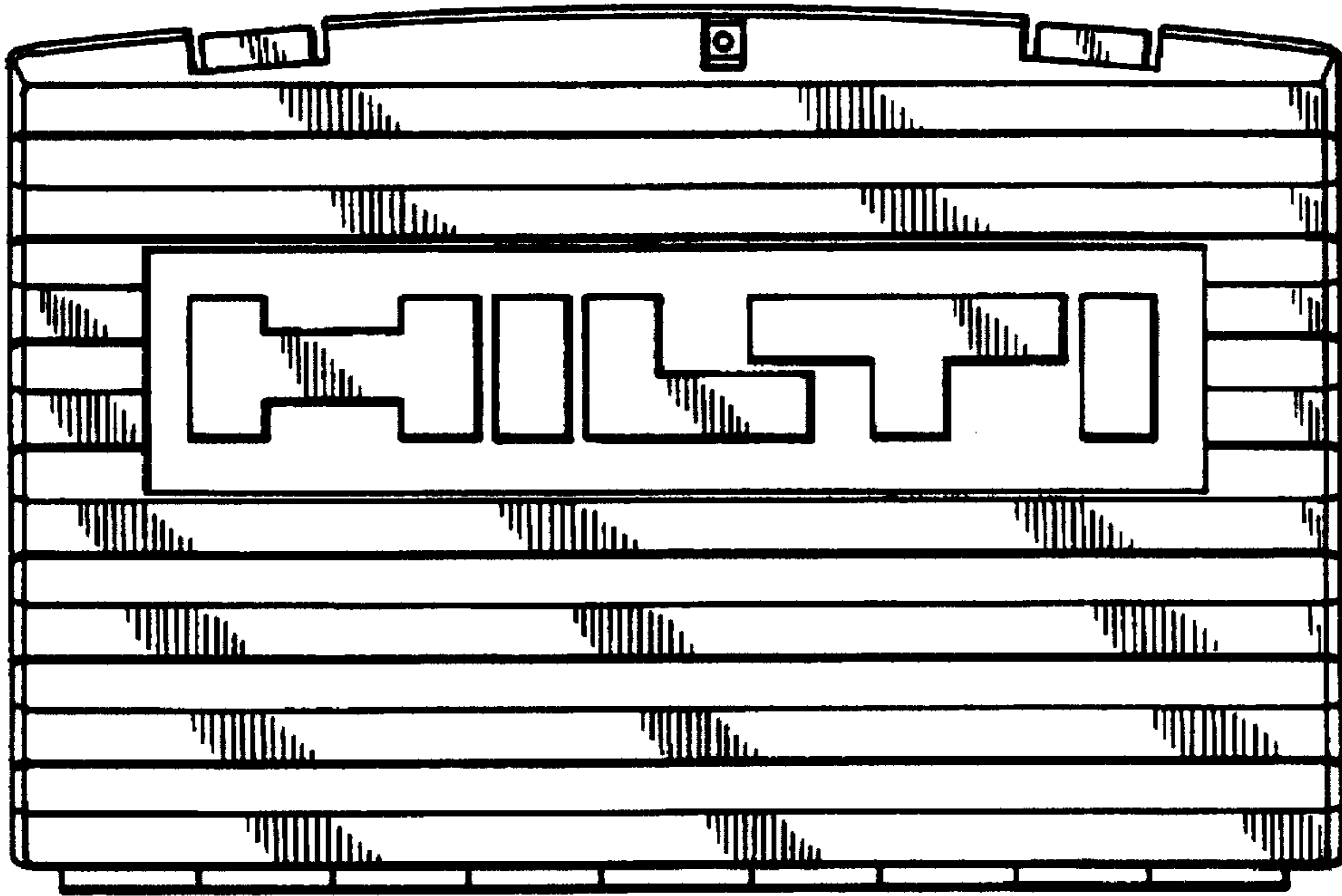


Fig. 11

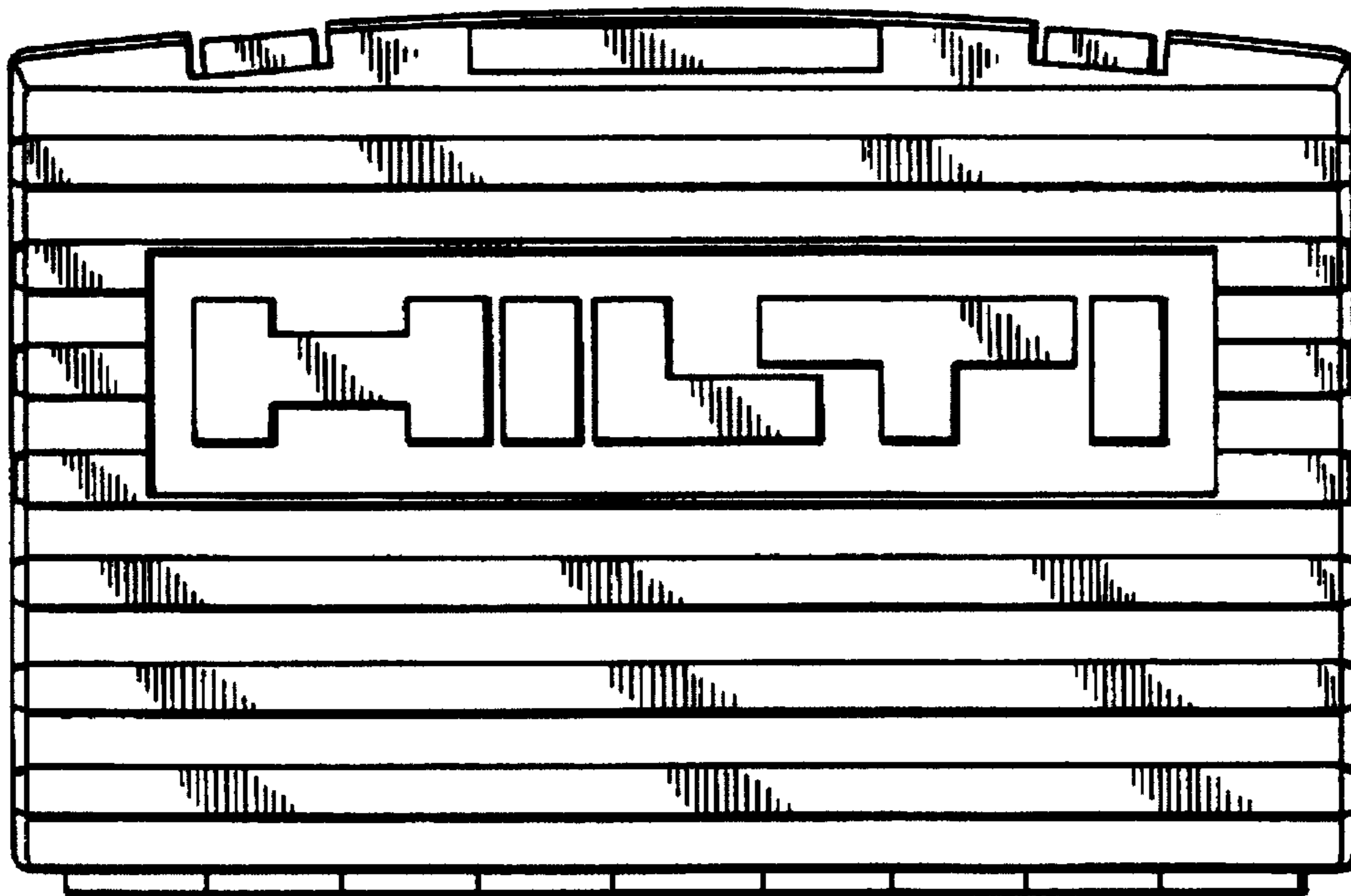


Fig. 12

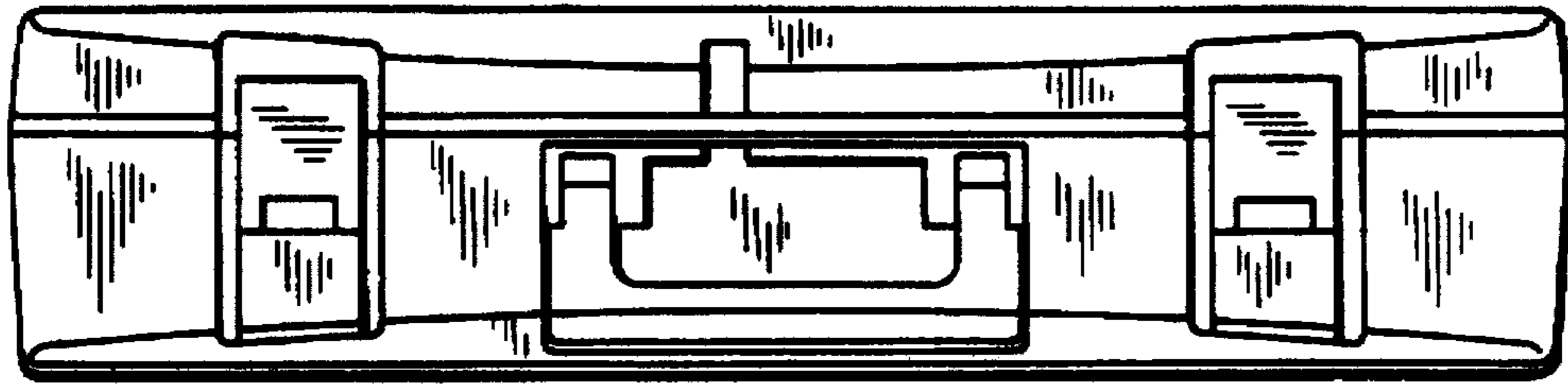


Fig. 13

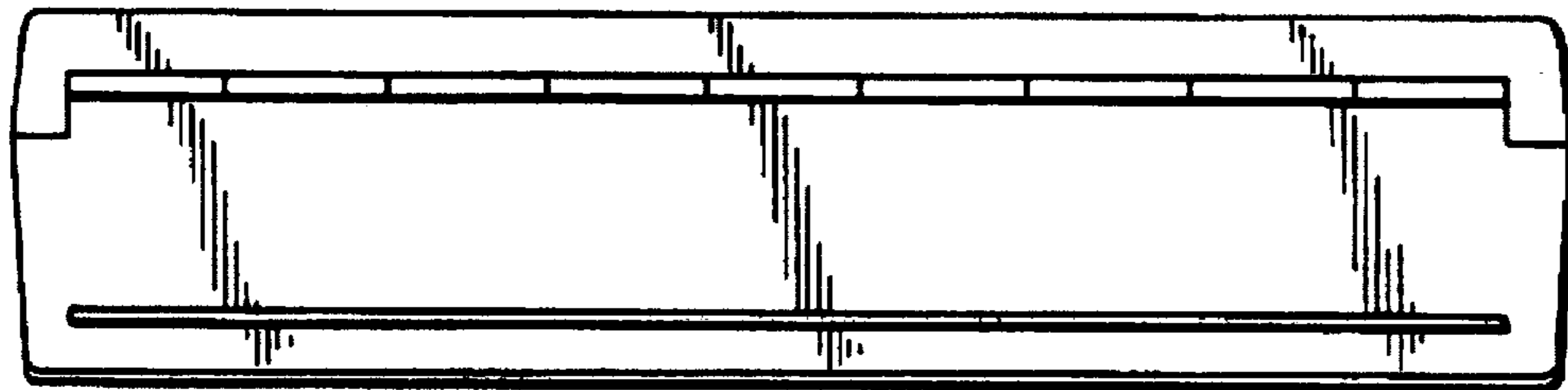


Fig. 14

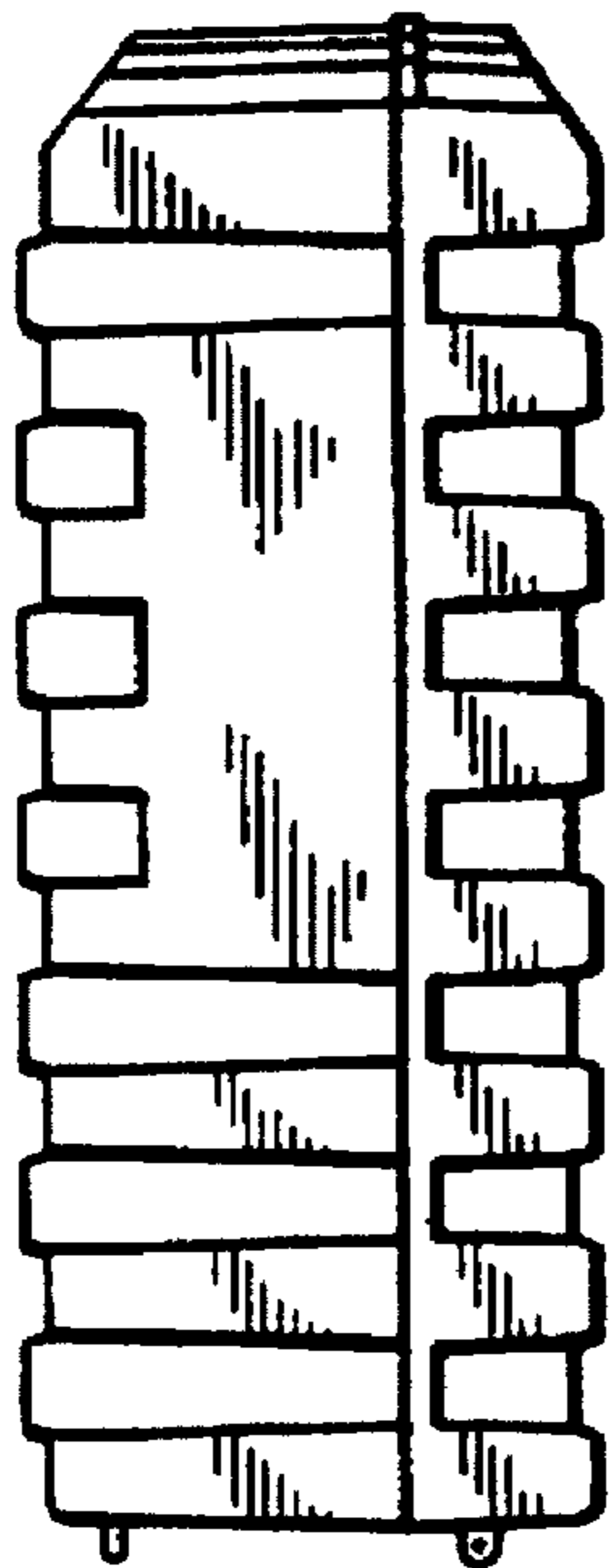


Fig. 15

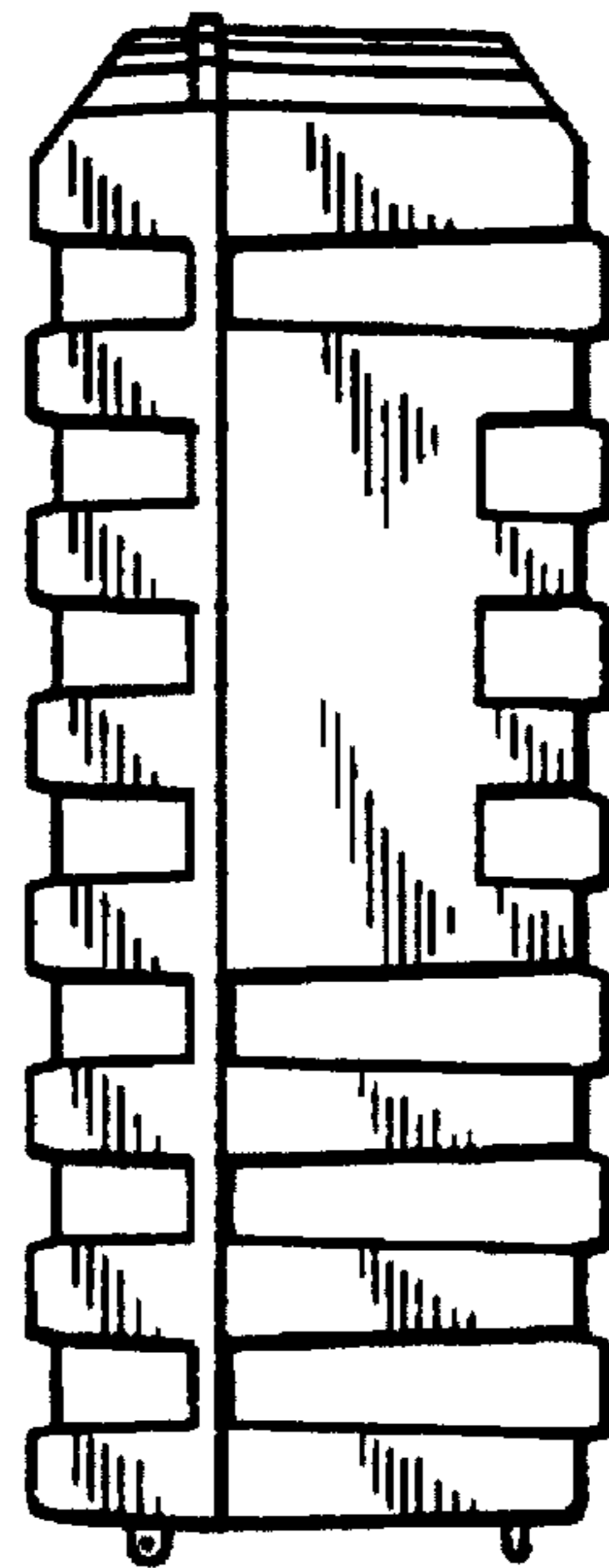


Fig. 16

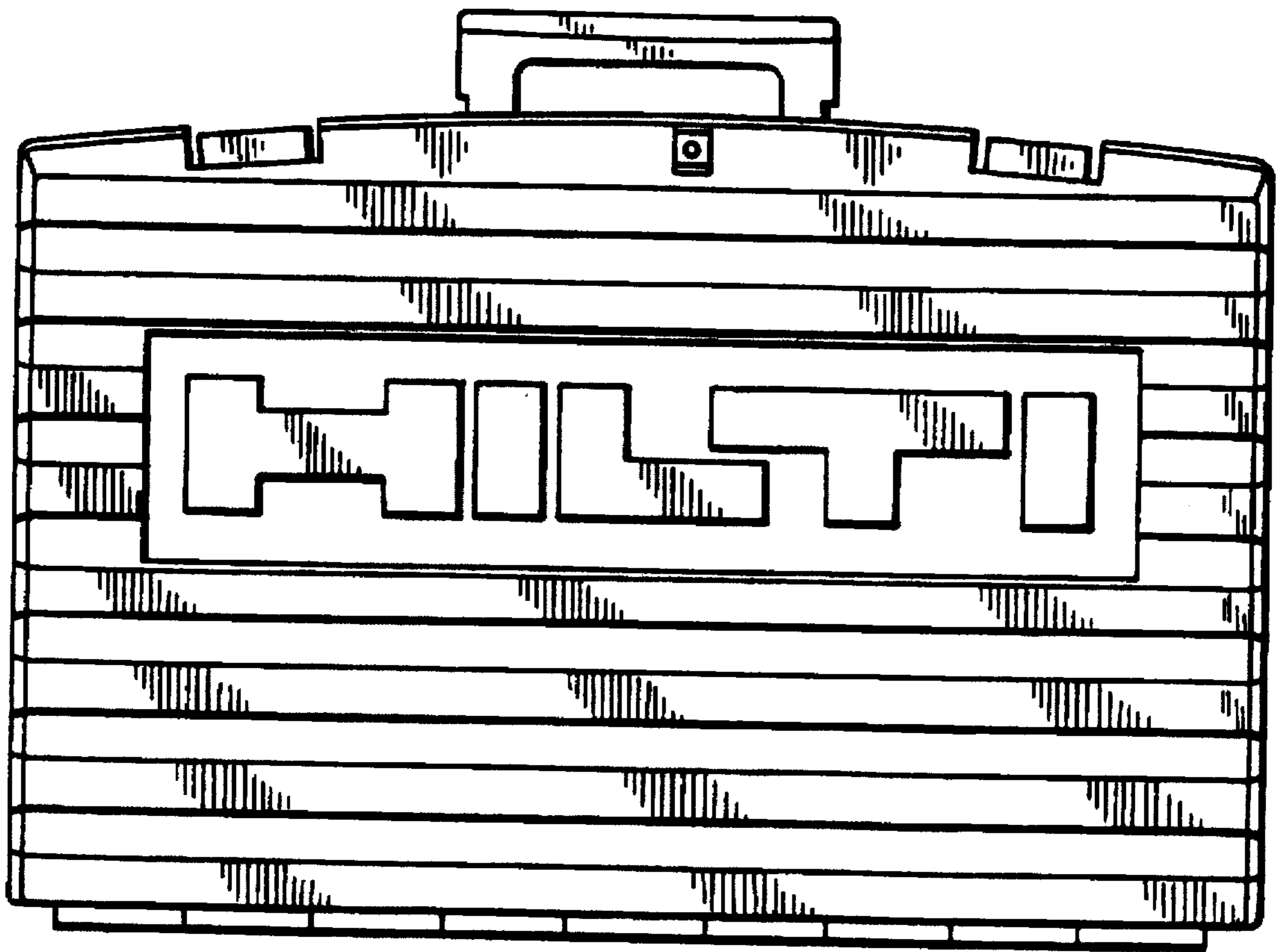


Fig. 17

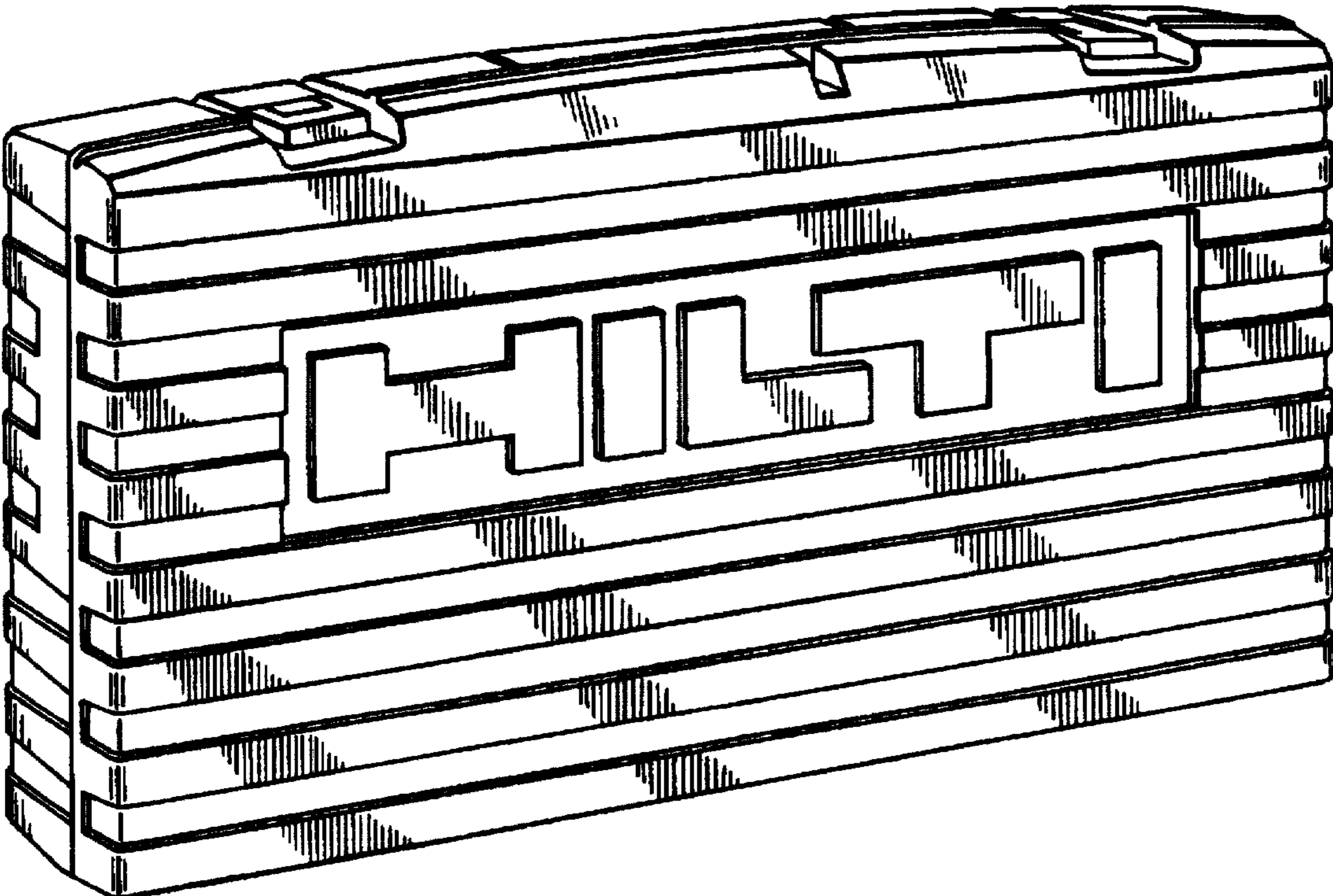


Fig. 18

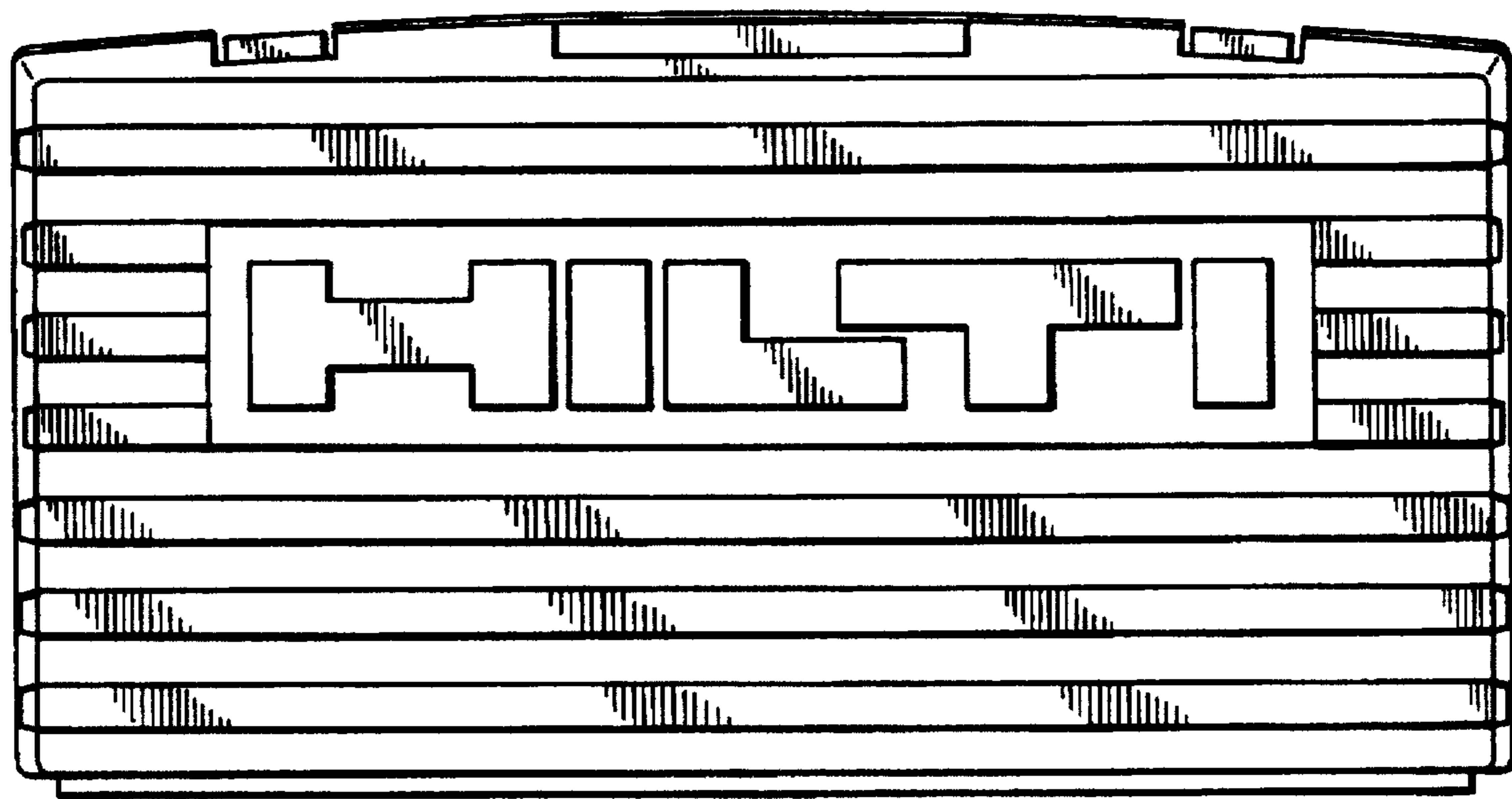
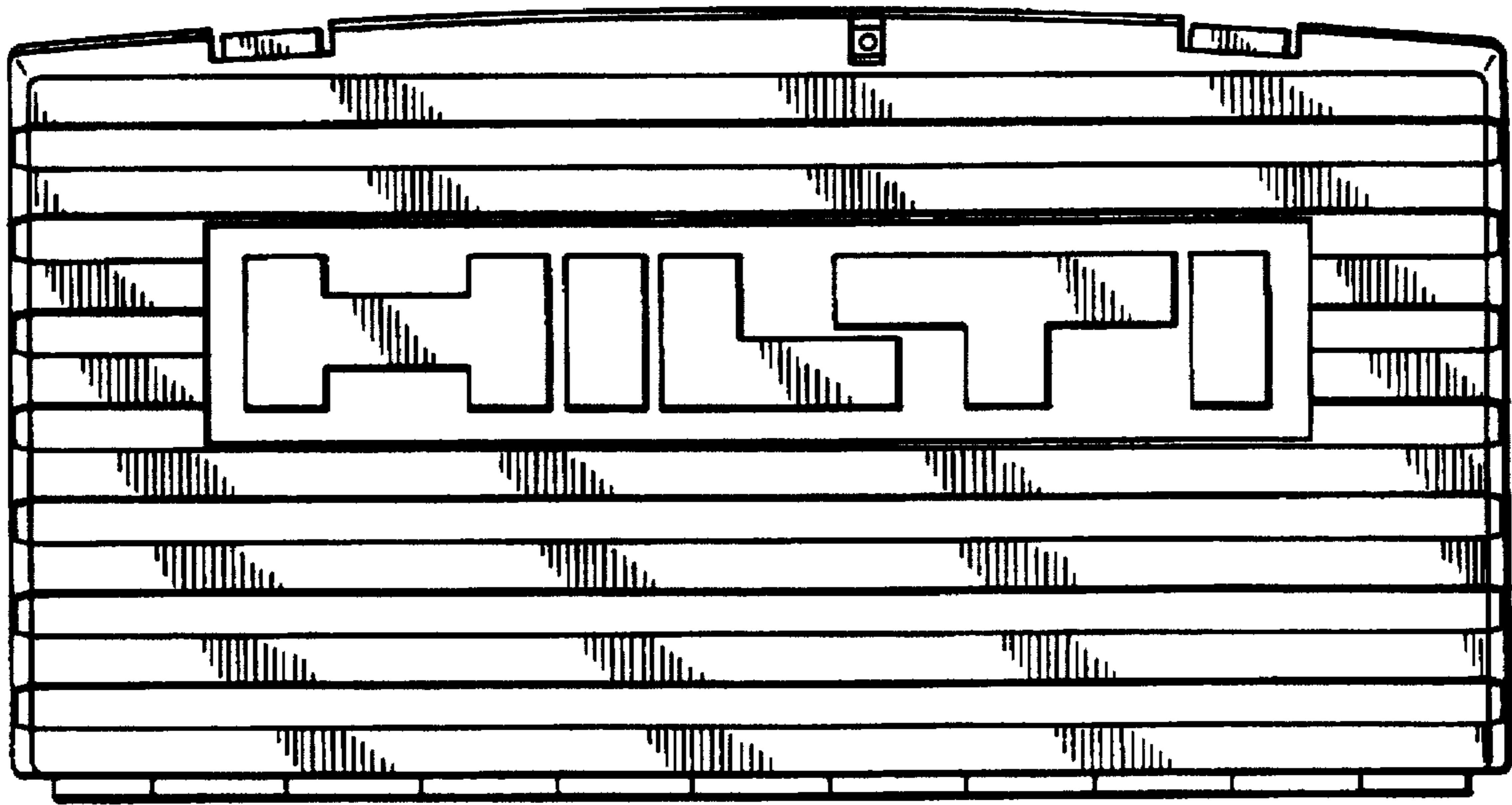


Fig. 19

Fig. 20

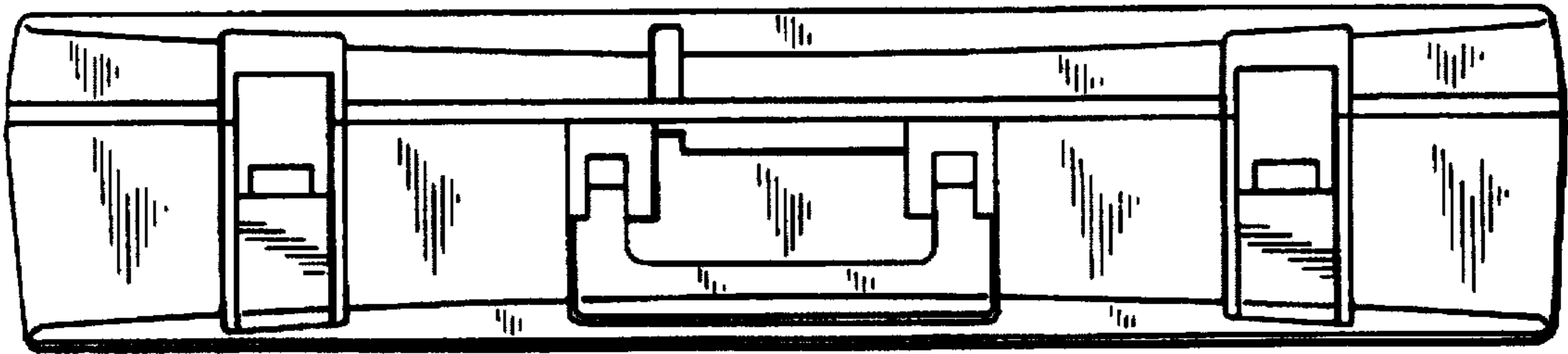


Fig. 21

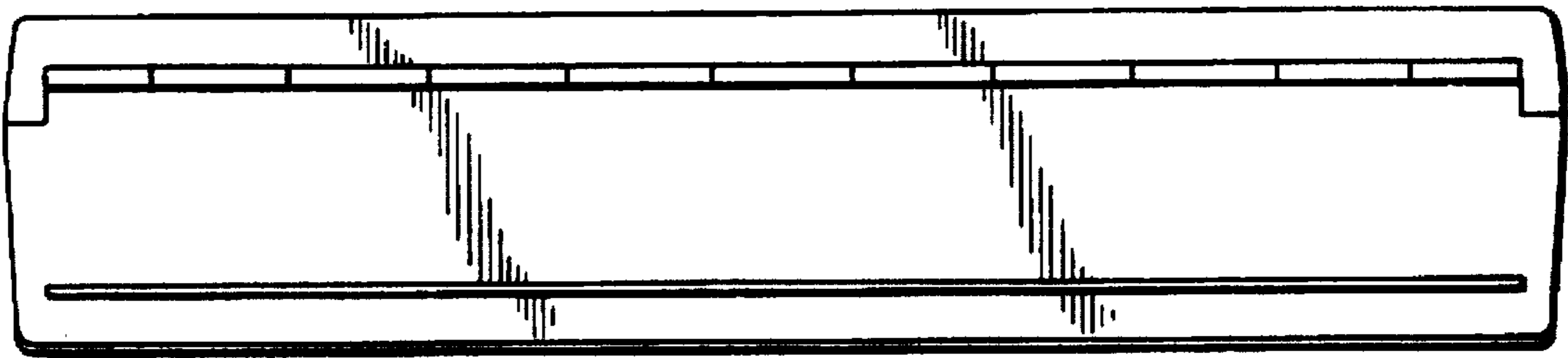


Fig. 22

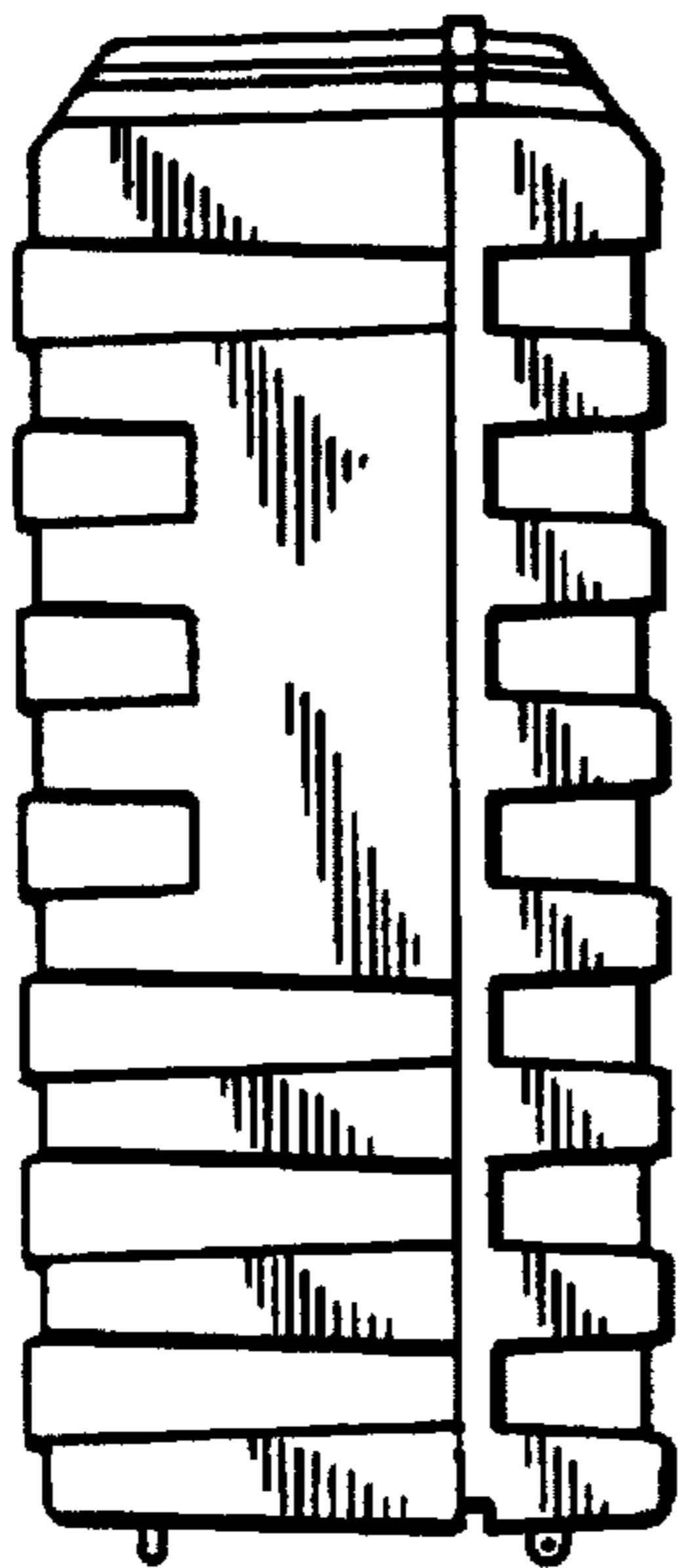


Fig. 23

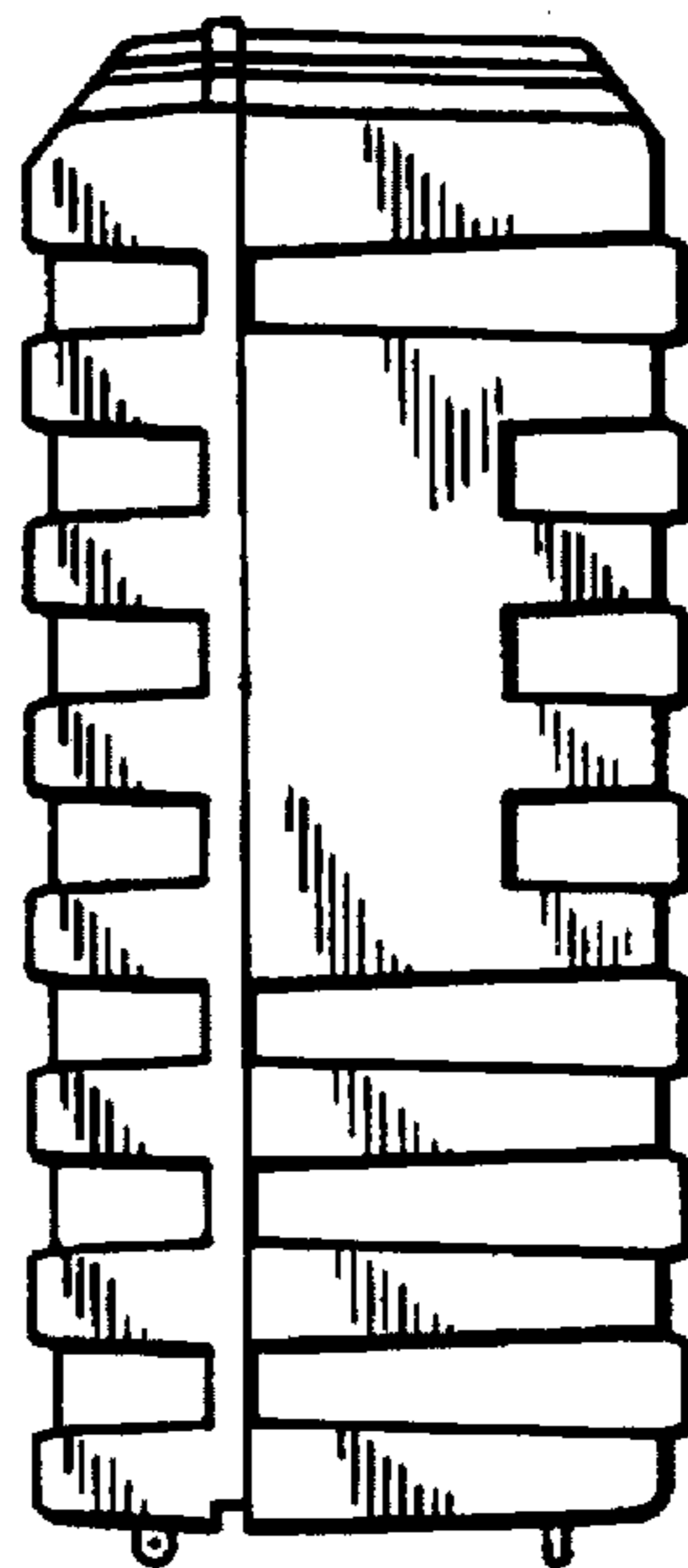


Fig. 24

