



US00D385090S

United States Patent [19] DiPietro

[11] Patent Number: **Des. 385,090**

[45] Date of Patent: ****Oct. 21, 1997**

[54] TROPIC TRAVELER SHIRT

2,094,643 10/1937 Fellroth 2/115
2,340,626 2/1944 Strenger et al. 2/115

[76] Inventor: **Stephen B. DiPietro**, 6345 SW. 34th St., Miami, Fla. 33155

FOREIGN PATENT DOCUMENTS

[**] Term: **14 Years**

1540344 4/1968 France 2/70

[21] Appl. No.: **56,243**

Primary Examiner—Louis S. Zarfes
Assistant Examiner—Monica A. Weingart
Attorney, Agent, or Firm—William F. Hamrock

[22] Filed: **Jun. 18, 1996**

[57] CLAIM

Related U.S. Application Data

The ornamental design for a tropic traveler shirt, as shown and described.

[63] Continuation-in-part of Ser. No. 27,204, Aug. 16, 1994, abandoned.

DESCRIPTION

[51] LOC (6) Cl. **02-02**
[52] U.S. Cl. **D2/849; D2/840; D2/849**
[58] Field of Search D2/728, 743, 823, D2/840, 841, 842, 848, 849, 857; 2/60, 69, 69.5, 70, 80, 83, 84, 88, 93, 102, 113, 115, 123, 227, 247, 94

FIG. 1 is a front elevational view of a tropic traveler shirt showing my new design;
FIG. 2 is a rear elevational view thereof;
FIG. 3 is a top right front perspective view thereof;
FIG. 4 is a top right perspective view thereof;
FIG. 5 is a left side elevational view thereof;
FIG. 6 is a right side elevational view thereof;
FIG. 7 is a top plan view thereof; and,
FIG. 8 is a bottom plan view thereof.

[56] References Cited

U.S. PATENT DOCUMENTS

D. 158,416 5/1950 Spector D2/848
D. 276,284 11/1984 Denhoff D2/849
914,955 3/1909 Jaffé 2/115
2,042,629 6/1936 Ransom 2/115

The broken lines shown on the pockets are understood to represent conventional stitching.

1 Claim, 4 Drawing Sheets

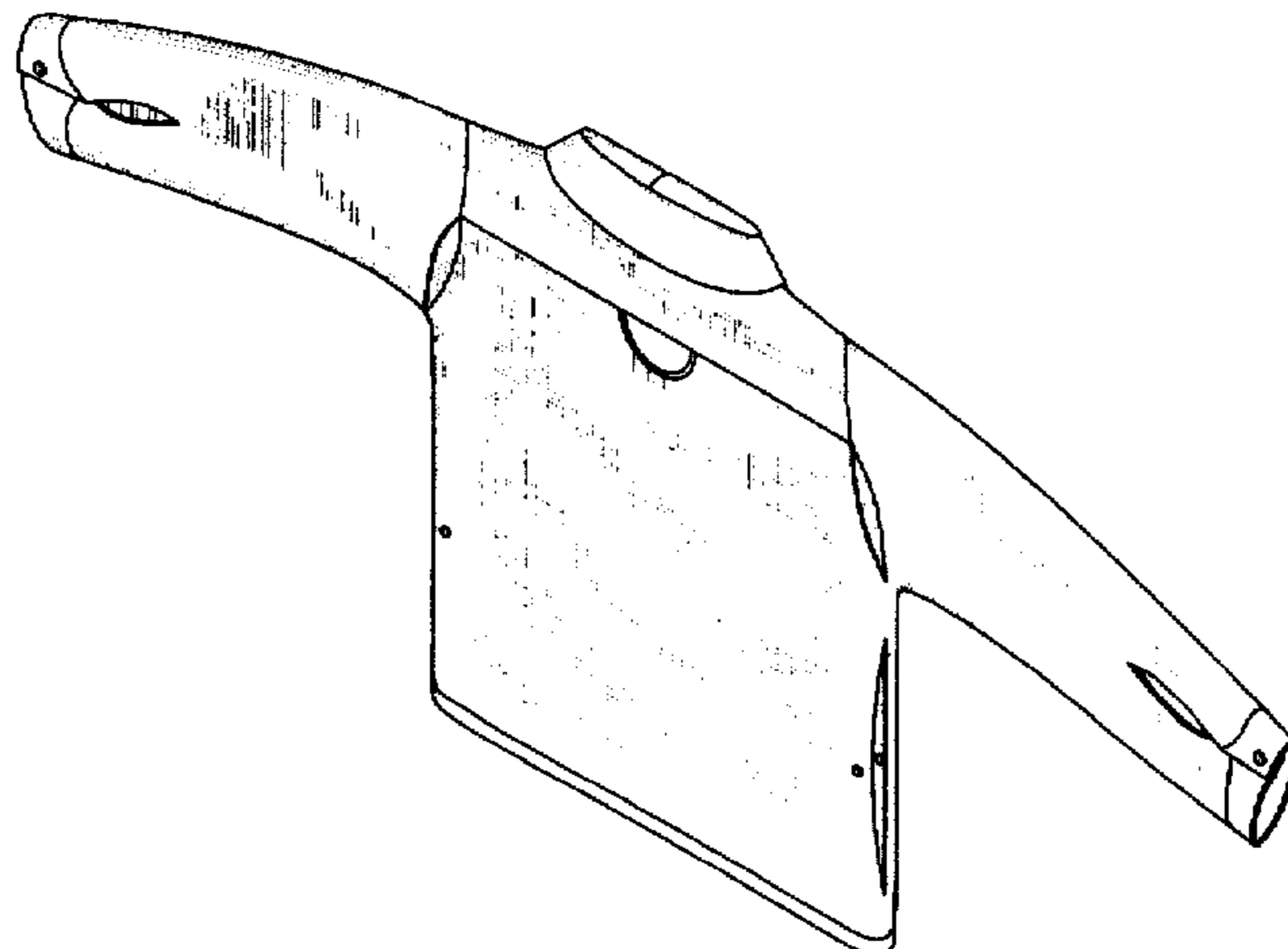
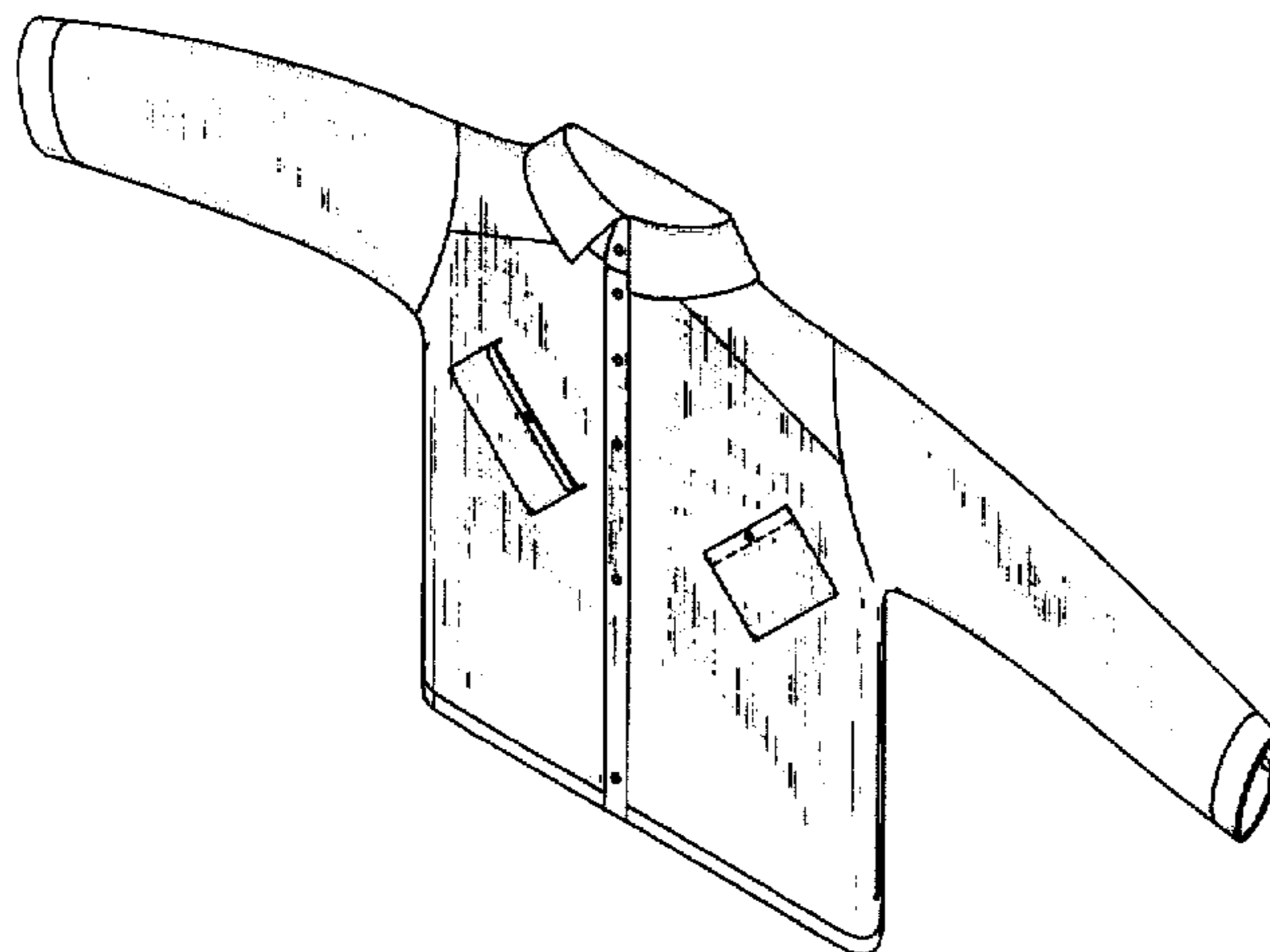


Fig. 1

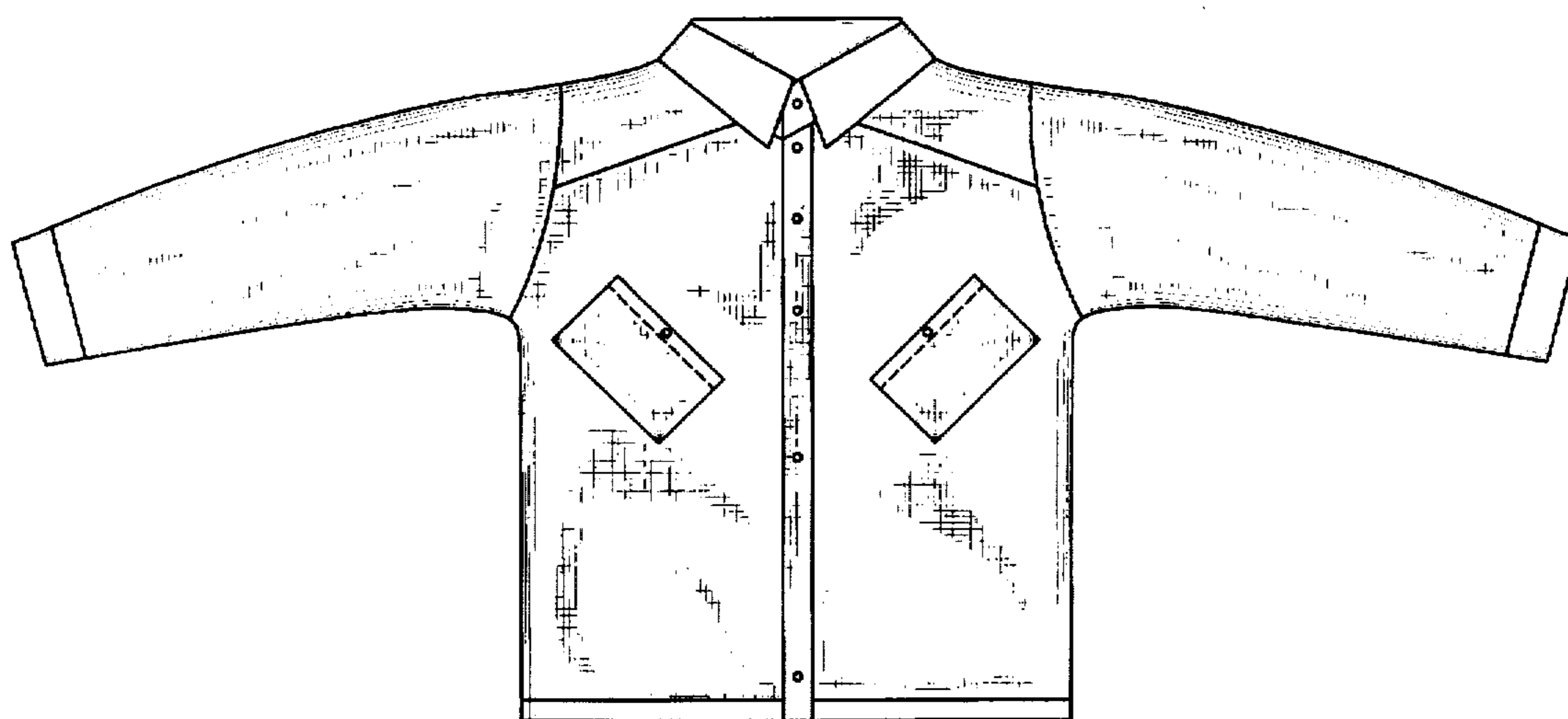
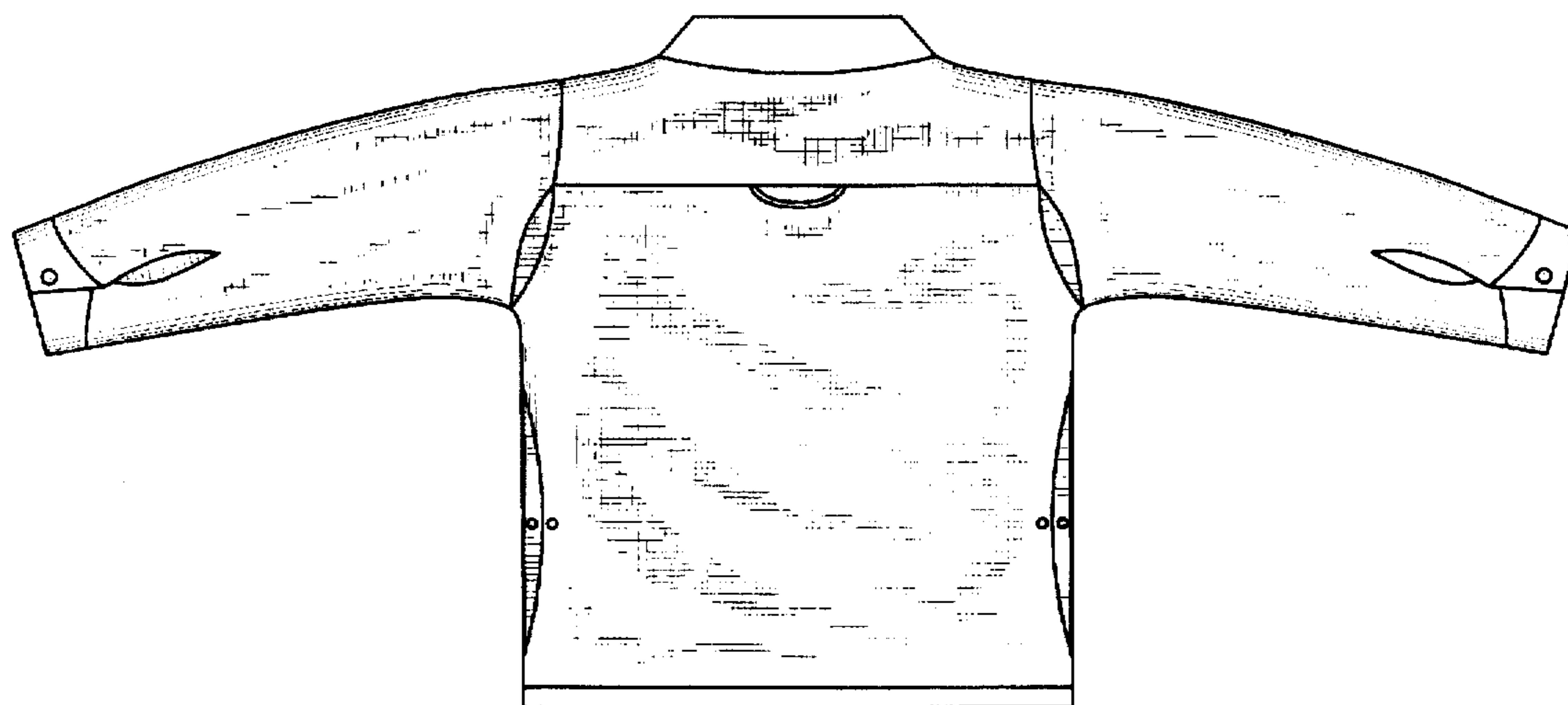


Fig. 2



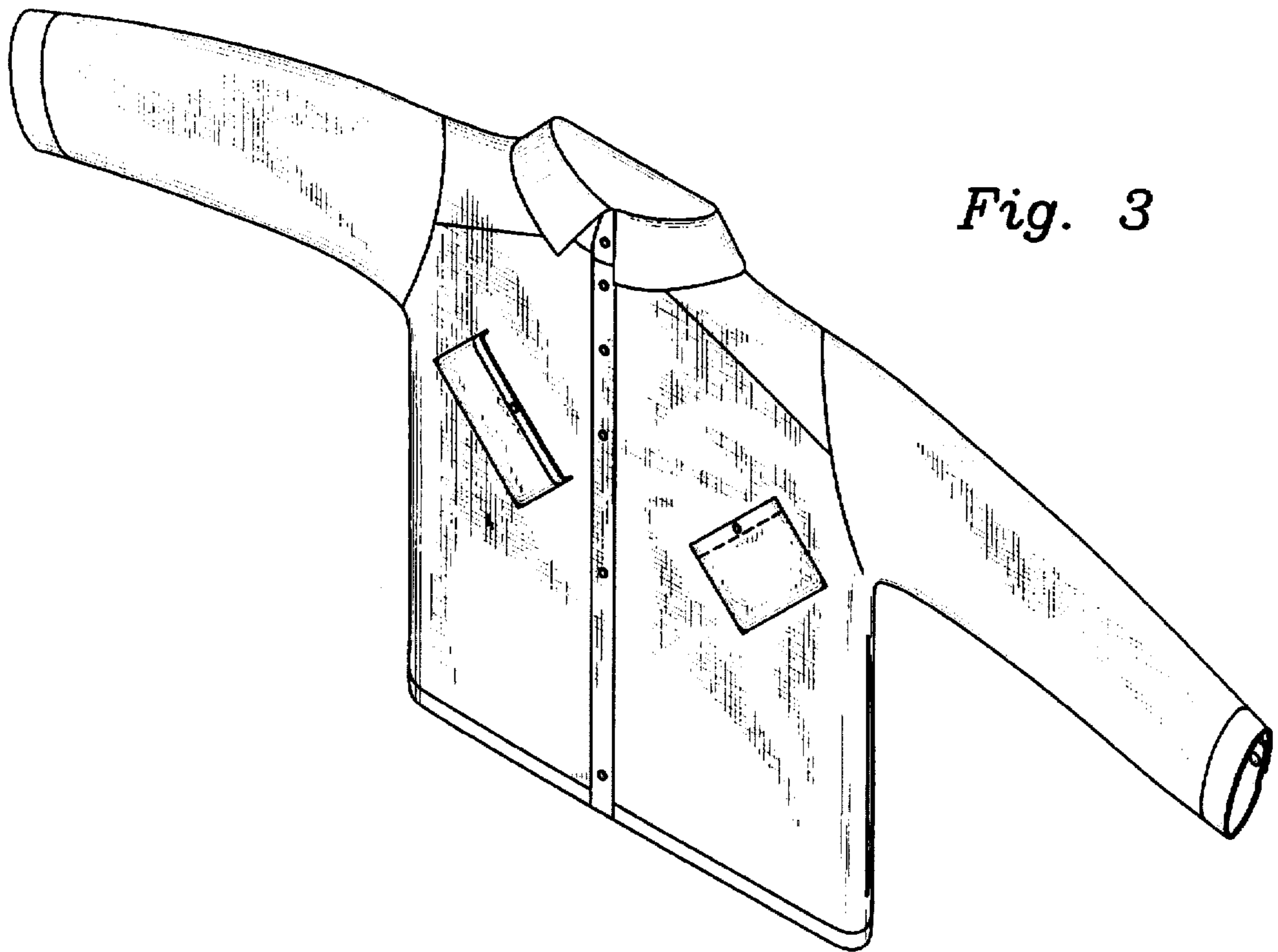


Fig. 3

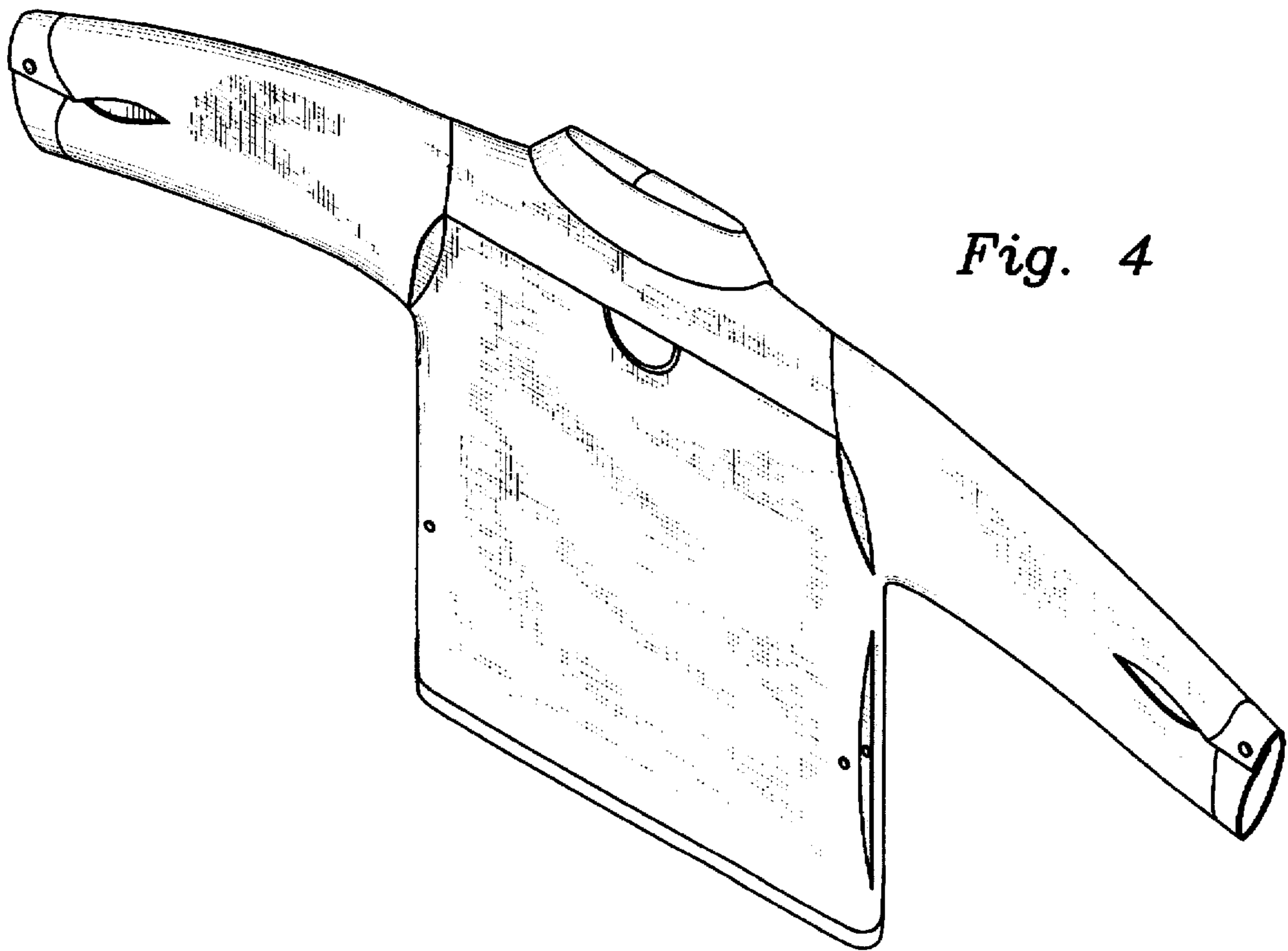


Fig. 4

Fig. 5

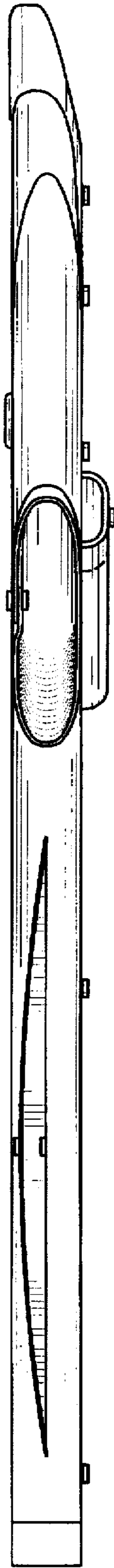


Fig. 6

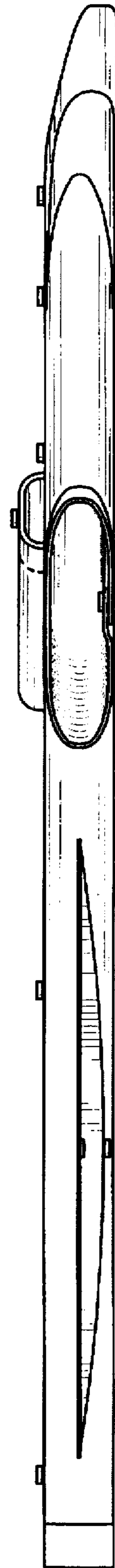




Fig. 7



Fig. 8