



US00D385078S

United States Patent [19]

[11] Patent Number: **Des. 385,078**

Thom, Jr.

[45] Date of Patent: ****Oct. 14, 1997**

[54] **COOLER SOLID PAN**

Attorney, Agent, or Firm—Michael H. Minns

[75] Inventor: **Kelsey C. Thom, Jr.**, Cedar Falls, Iowa

[57] **CLAIM**

[73] Assignee: **California Pellet Mill Company**,
Nashua, N.H.

The ornamental design for a cooler solid pan, as shown and described.

[**] Term: **14 Years**

DESCRIPTION

[21] Appl. No.: **52,062**

FIG. 1 is a perspective view of a cooler solid pan according to the present invention;

[22] Filed: **Mar. 22, 1996**

FIG. 2 is a top view of a cooler solid pan according to the present invention;

[51] LOC (6) Cl. **12-05**

[52] U.S. Cl. **D34/29; D34/35; D15/150**

FIG. 3 is a front view of a cooler solid pan according to the present invention;

[58] Field of Search **D7/550-554; D15/150;**
D34/28, 29, 35; 34/62, 237, 238; D25/119-121

FIG. 4 is a bottom view of a cooler solid pan according to the present invention;

[56] References Cited

U.S. PATENT DOCUMENTS

D. 3,745	11/1869	Storms et al.	D34/29
D. 15,570	11/1884	Woehrlé	D34/29 X
859,039	7/1907	Bentley	34/238 X
1,375,080	4/1921	Chappell .	
3,097,077	7/1963	Melikian	34/237 X
4,991,315	2/1991	Falck	34/217

FIG. 5 is a back view of a cooler solid pan according to the present invention;

FIG. 6 is a left side view of a cooler solid pan according to the present invention;

FIG. 7 is a right side view of a cooler solid pan according to the present invention; and,

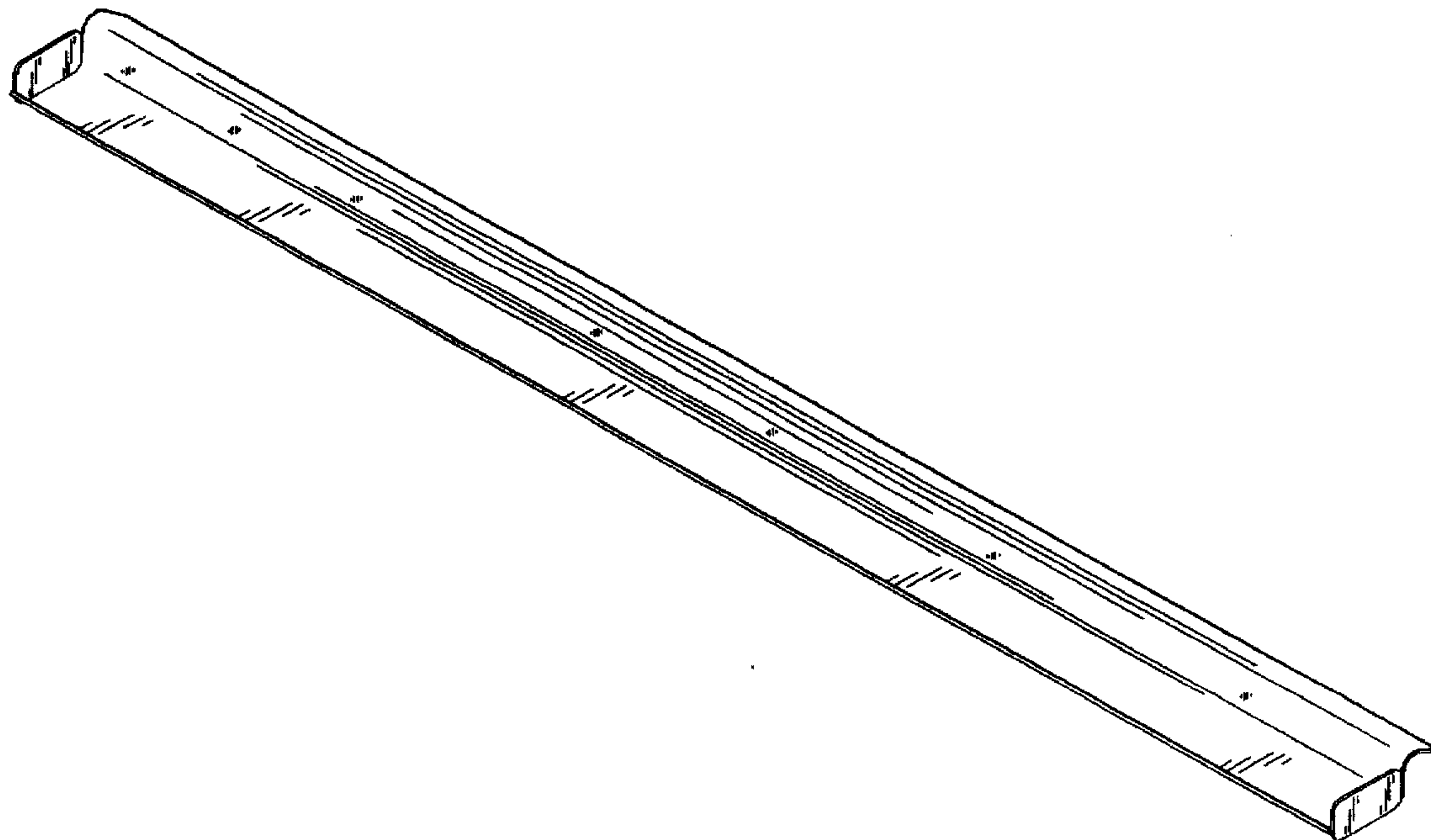
FIG. 8 is a cross-sectional side view of a cooler solid pan according to the present invention, taken on line 3—3, the cross-section being substantially the same throughout.

OTHER PUBLICATIONS

Drawing of a Solid Pan Cooler Sold by California Pellet Mill Company at Least as Early as 1988.

Primary Examiner—Antoine Duval Davis

1 Claim, 2 Drawing Sheets



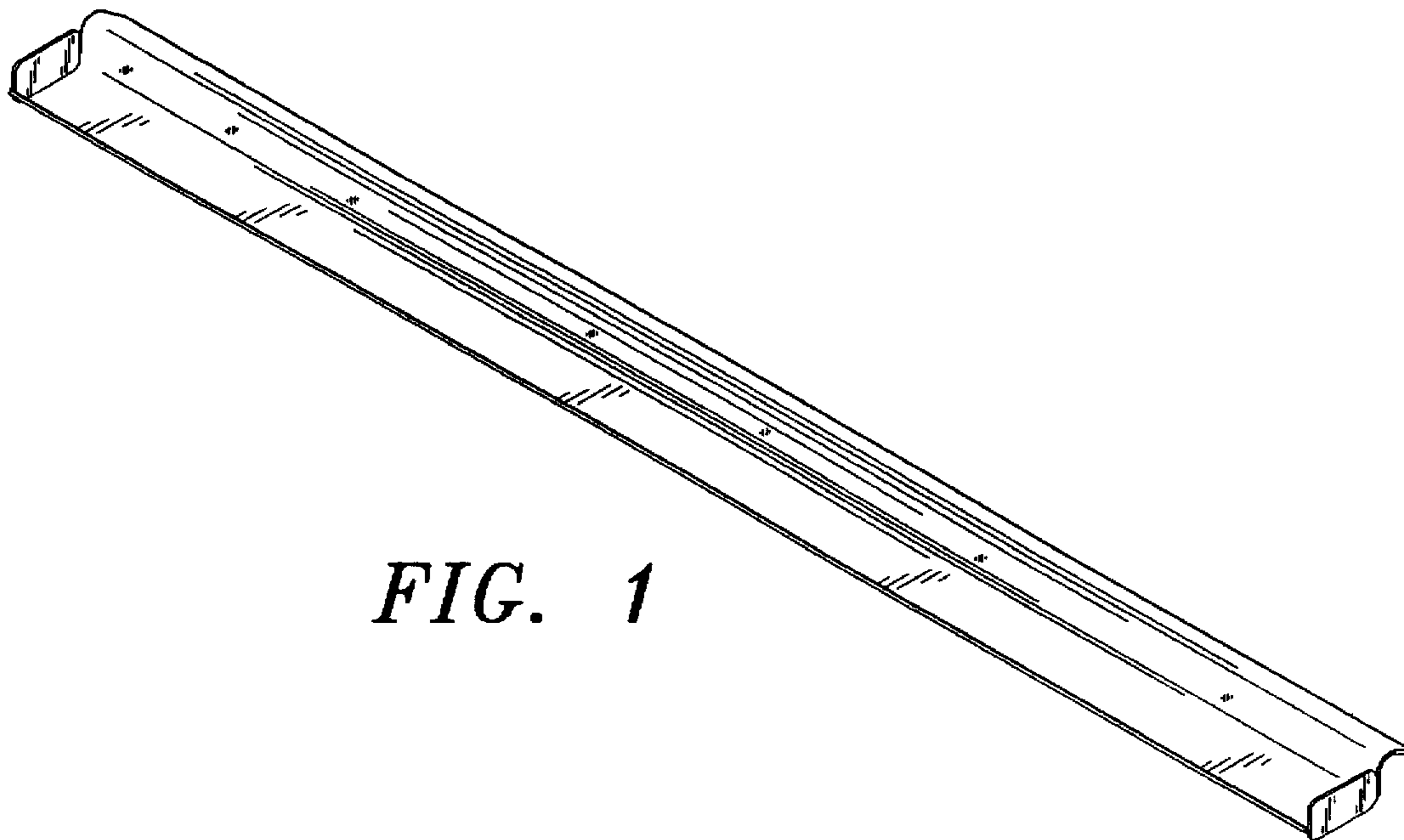


FIG. 1

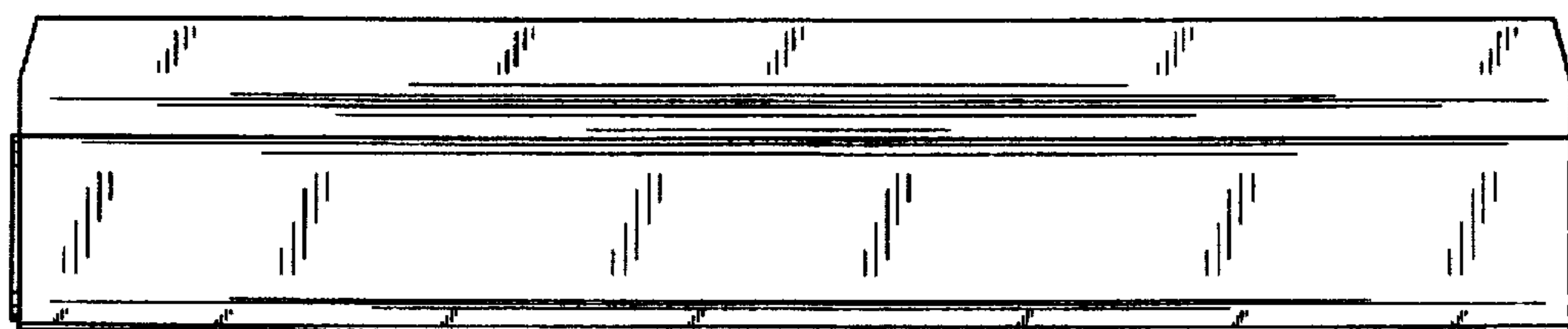


FIG. 2

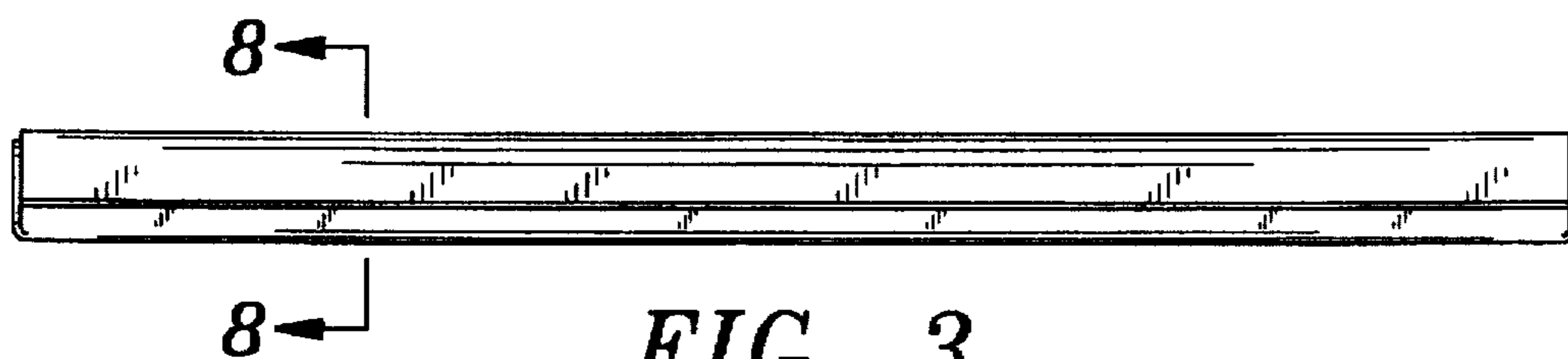


FIG. 3

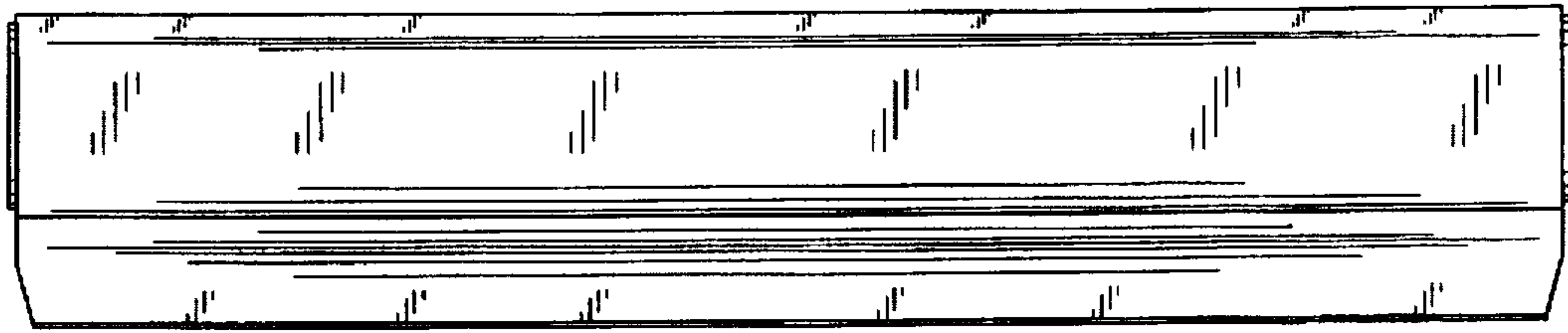


FIG. 4

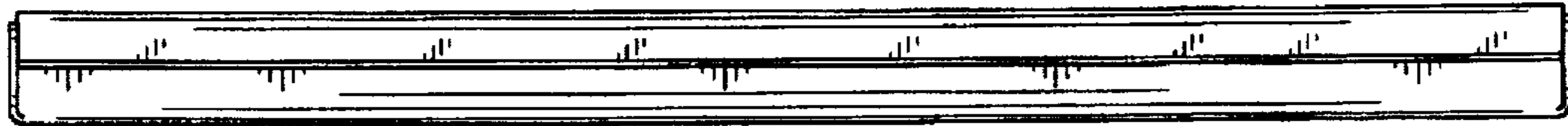


FIG. 5



FIG. 6



FIG. 7



FIG. 8