



US00D385077S

United States Patent [19]
Hendrich

[11] **Patent Number: Des. 385,077**
[45] **Date of Patent: **Oct. 14, 1997**

[54] **TOOL BOX CART**

[76] **Inventor: Dan Hendrich, 2326 Jonquil Way, Redding, Calif. 96002**

[**] **Term: 14 Years**

[21] **Appl. No.: 54,255**

[22] **Filed: May 10, 1996**

[51] **LOC (6) CL 12-02**

[52] **U.S. Cl. D34/21; D6/467**

[58] **Field of Search D34/12, 17, 21, D34/22, 23; D6/411, 467, 481; 211/13; 280/79.11, 79.3**

[56] **References Cited**

U.S. PATENT DOCUMENTS

D. 230,969 3/1974 Saltzman D6/467
D. 314,286 2/1991 Glassenberg D6/411

D. 343,309 1/1994 Von Batsch D6/467
3,889,814 6/1975 Rice 280/79.3 X

Primary Examiner—Kay H. Chin
Attorney, Agent, or Firm—Harold H. Dutton, Jr.; Diane F. Liebman

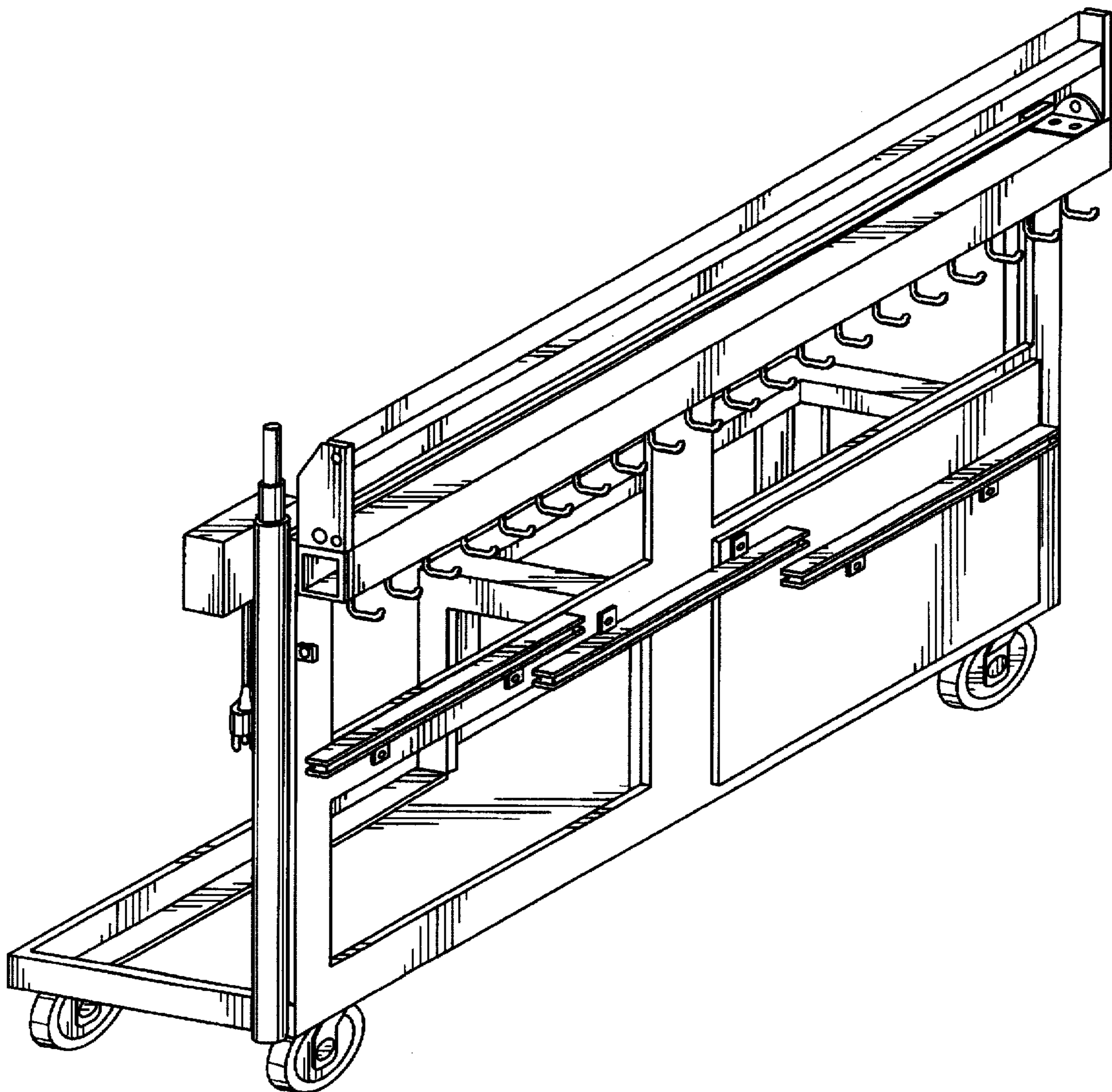
[57] **CLAIM**

The ornamental design for a tool box cart, as shown.

DESCRIPTION

FIG. 1 is a perspective view of a tool box cart showing my new design;
FIG. 2 is a right side view thereof;
FIG. 3 is a left side view thereof;
FIG. 4 is a front view thereof;
FIG. 5 is a rear view thereof;
FIG. 6 is a top view thereof; and,
FIG. 7 is a bottom view thereof.

1 Claim, 5 Drawing Sheets



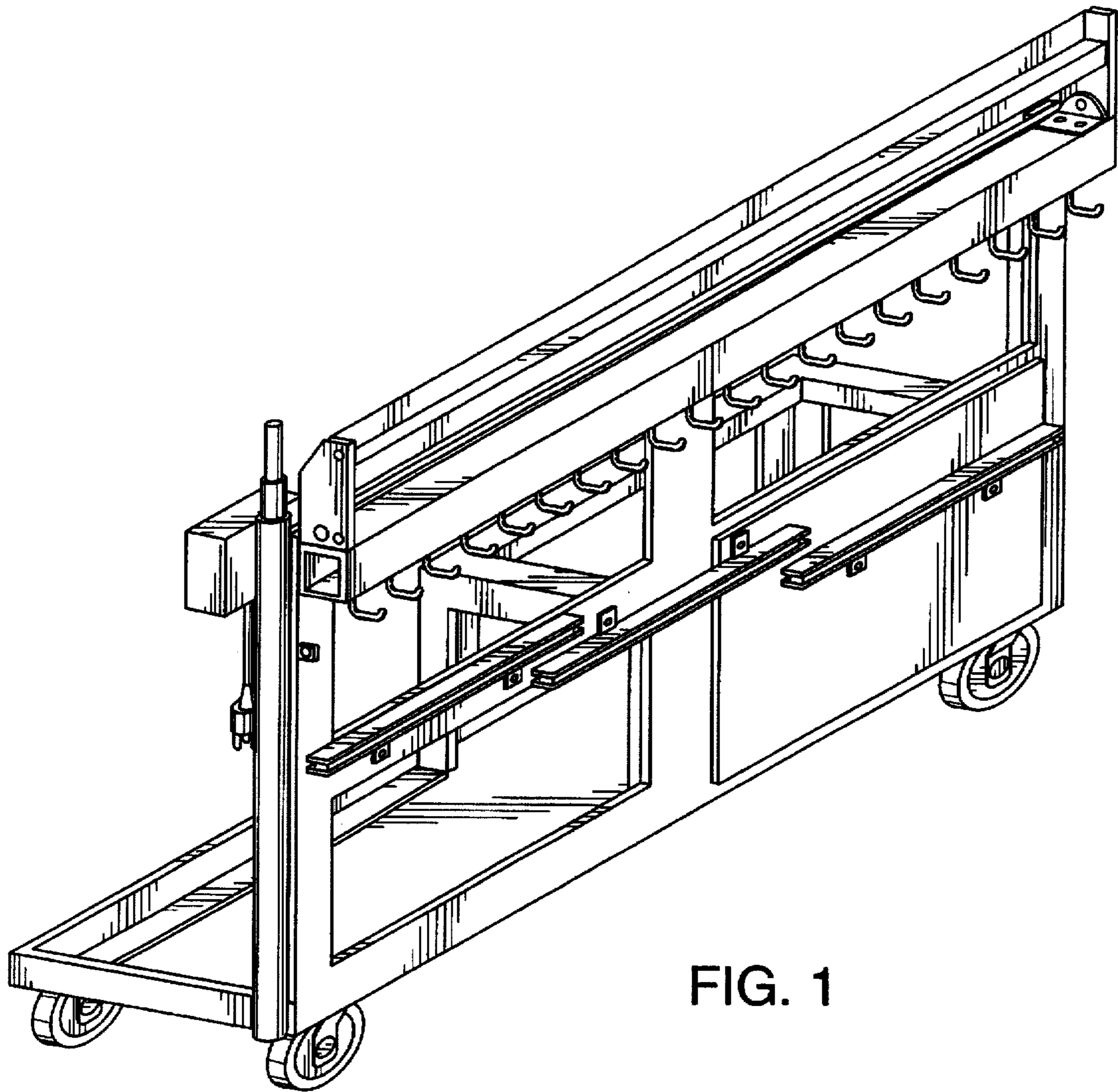


FIG. 1

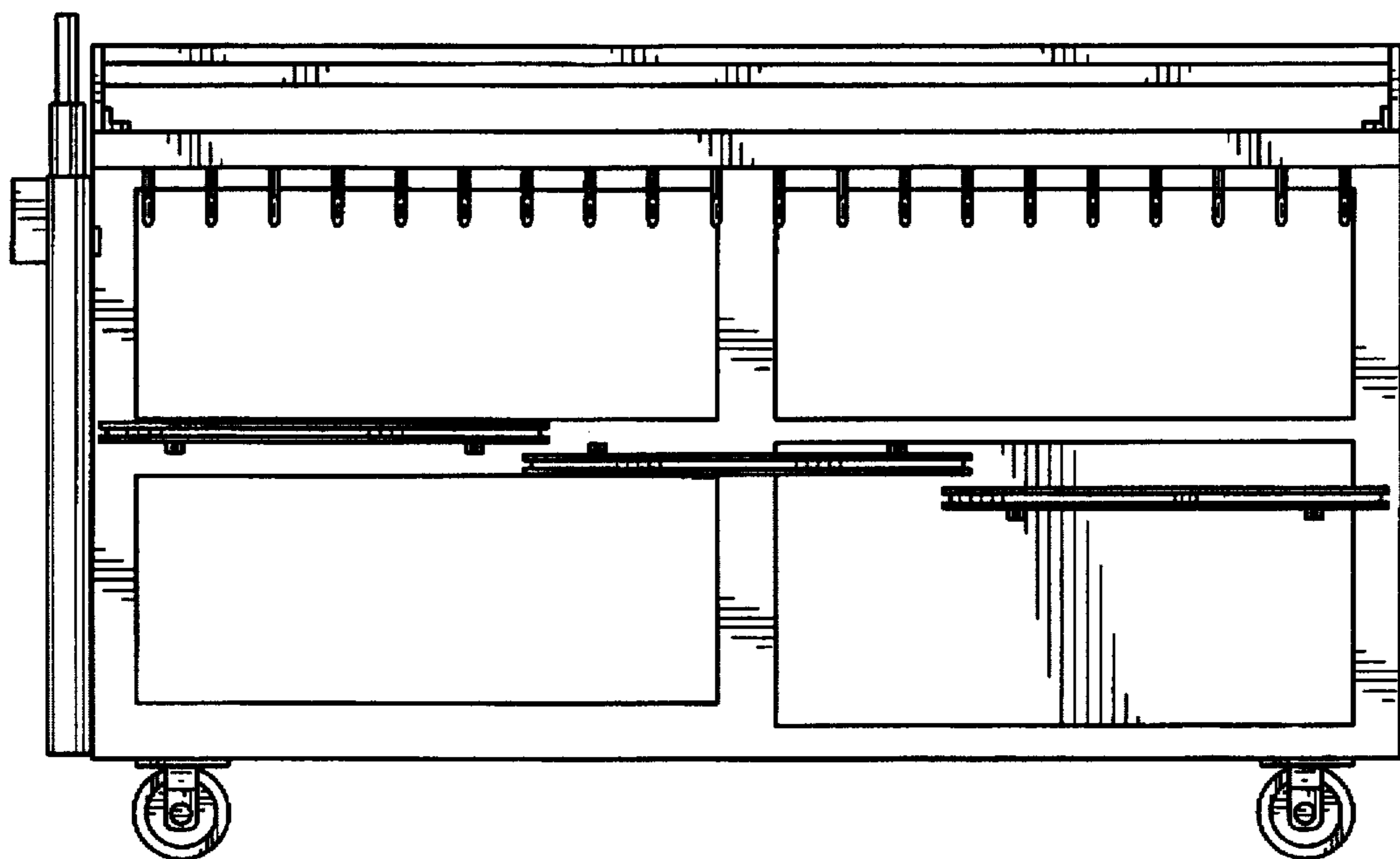


FIG. 2

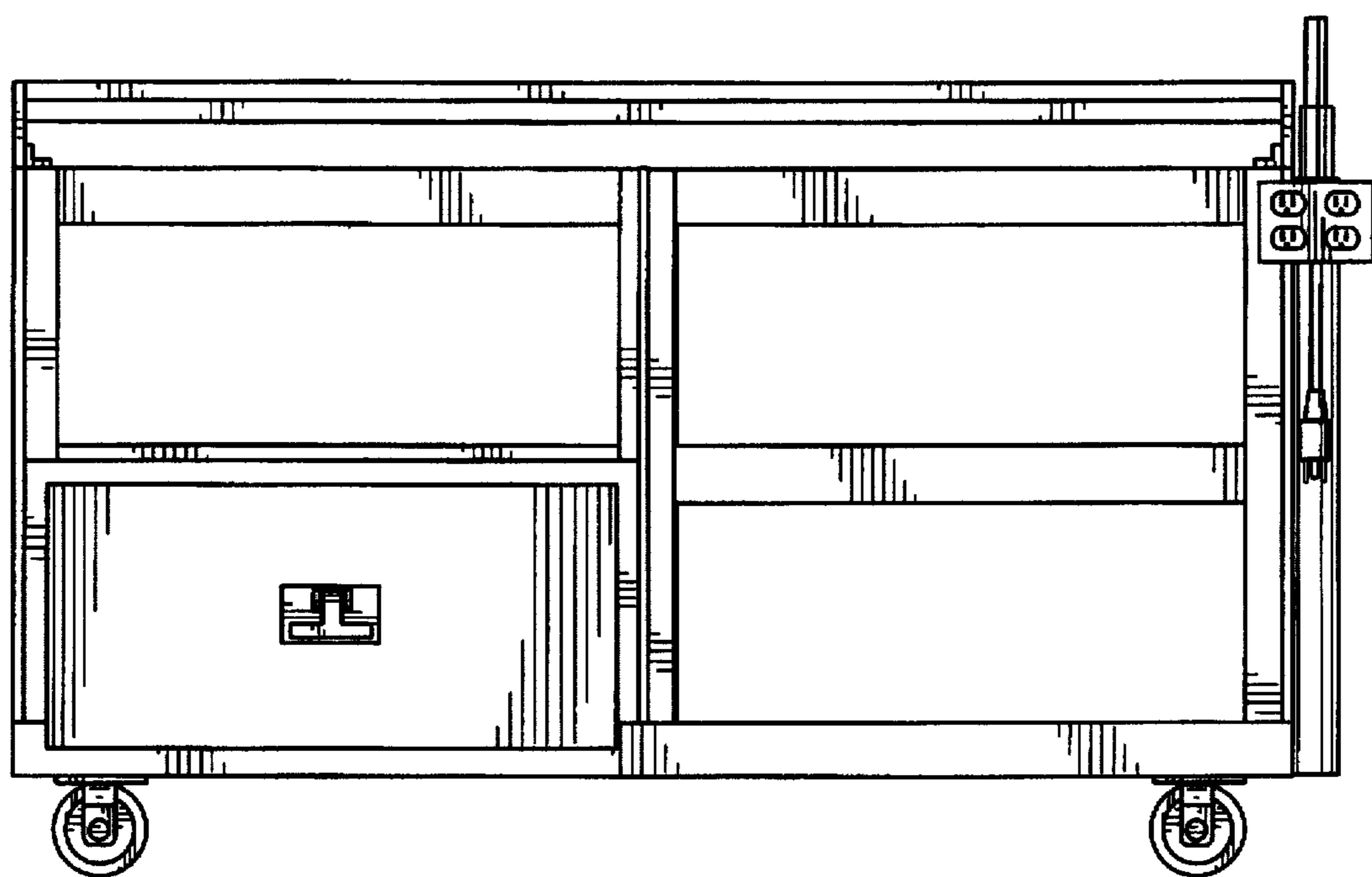


FIG. 3

FIG. 4

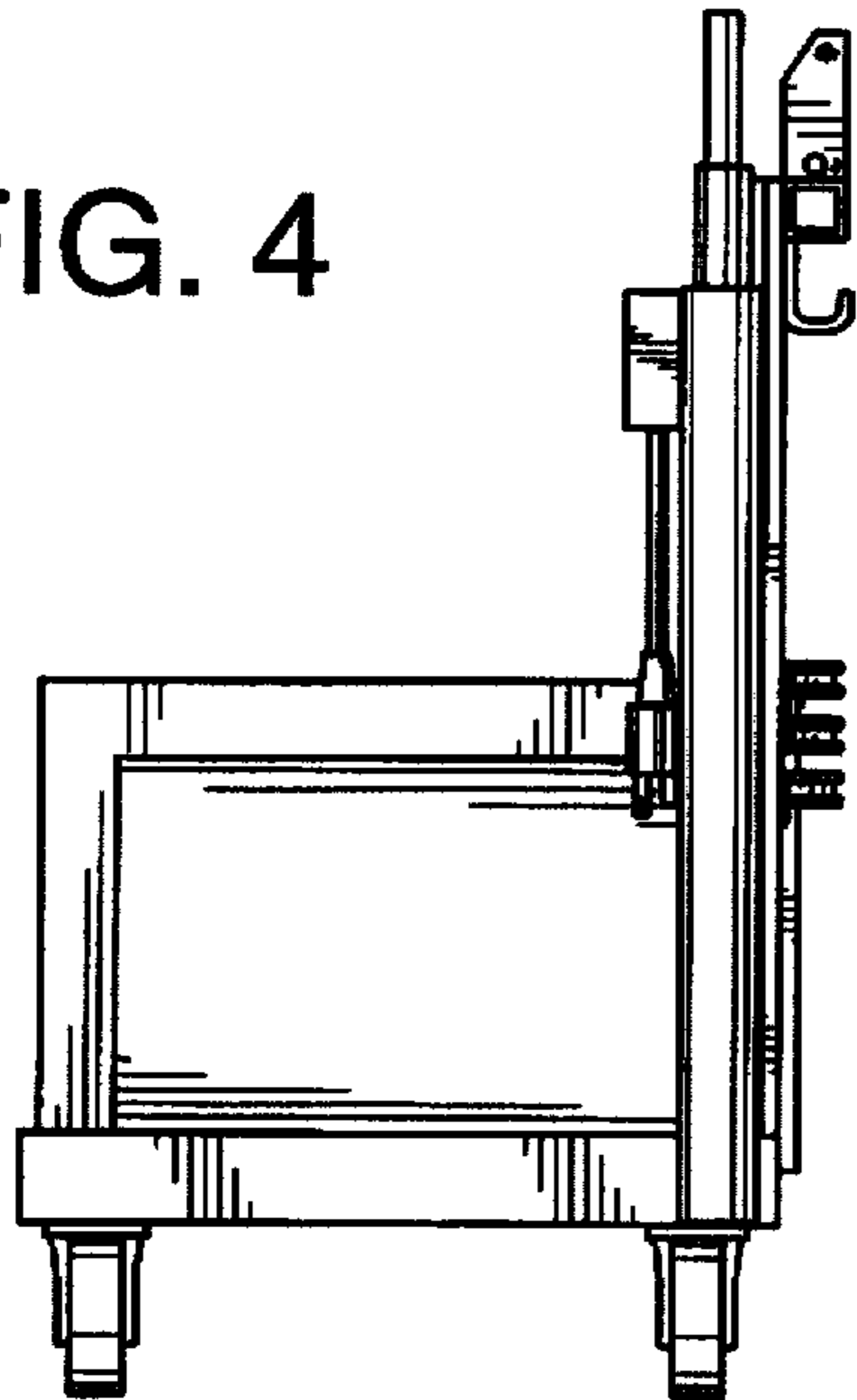
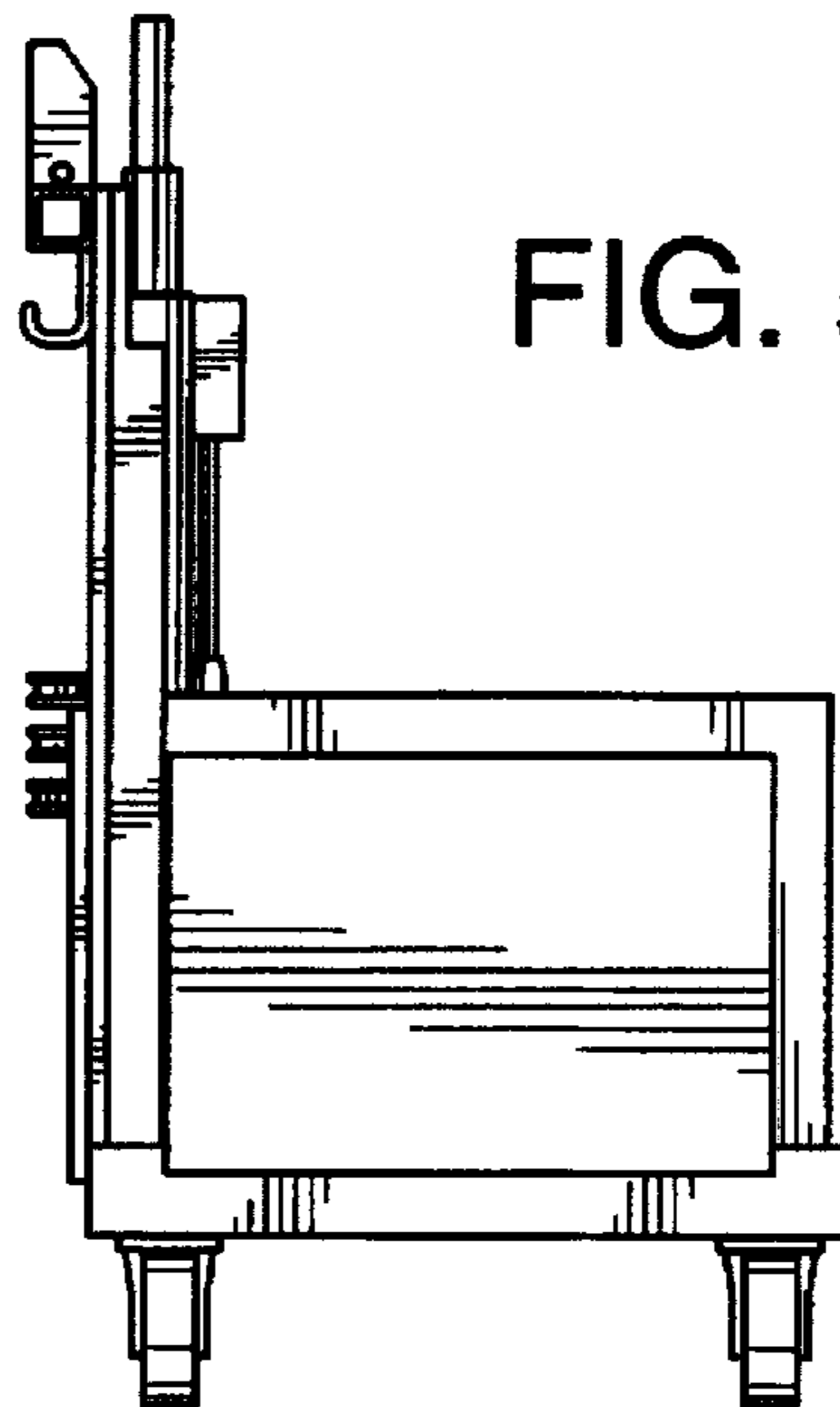


FIG. 5



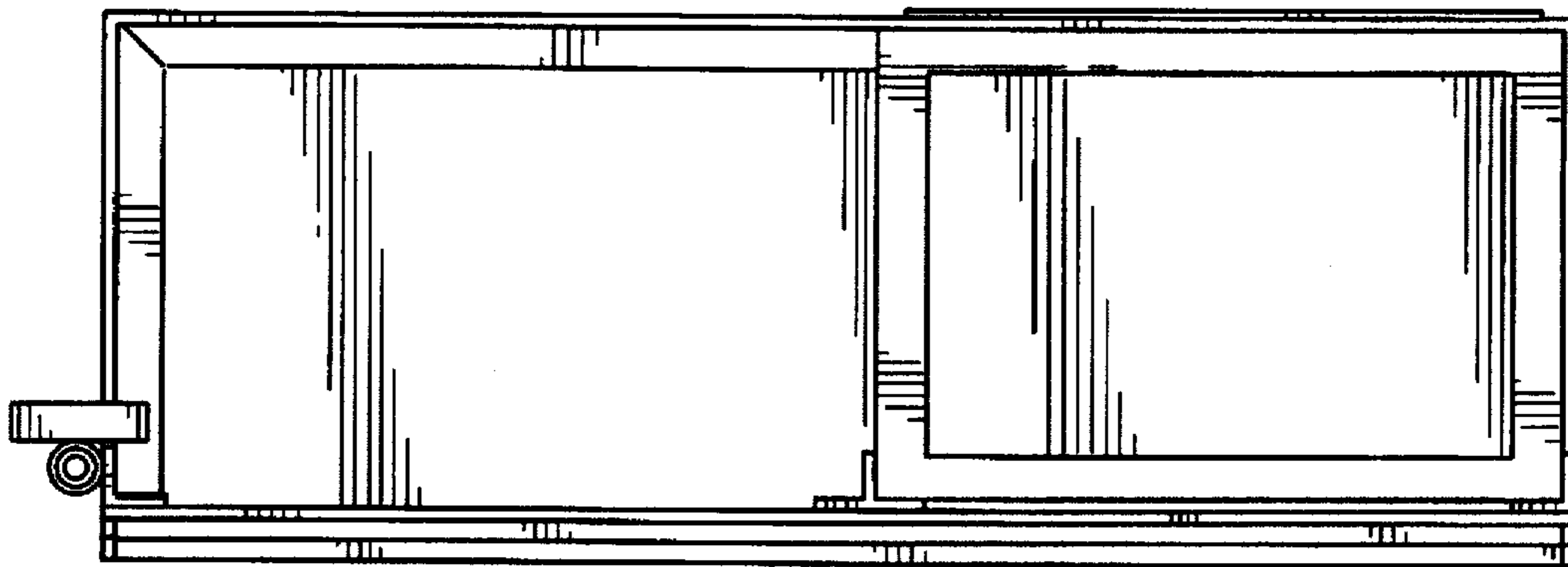


FIG. 6

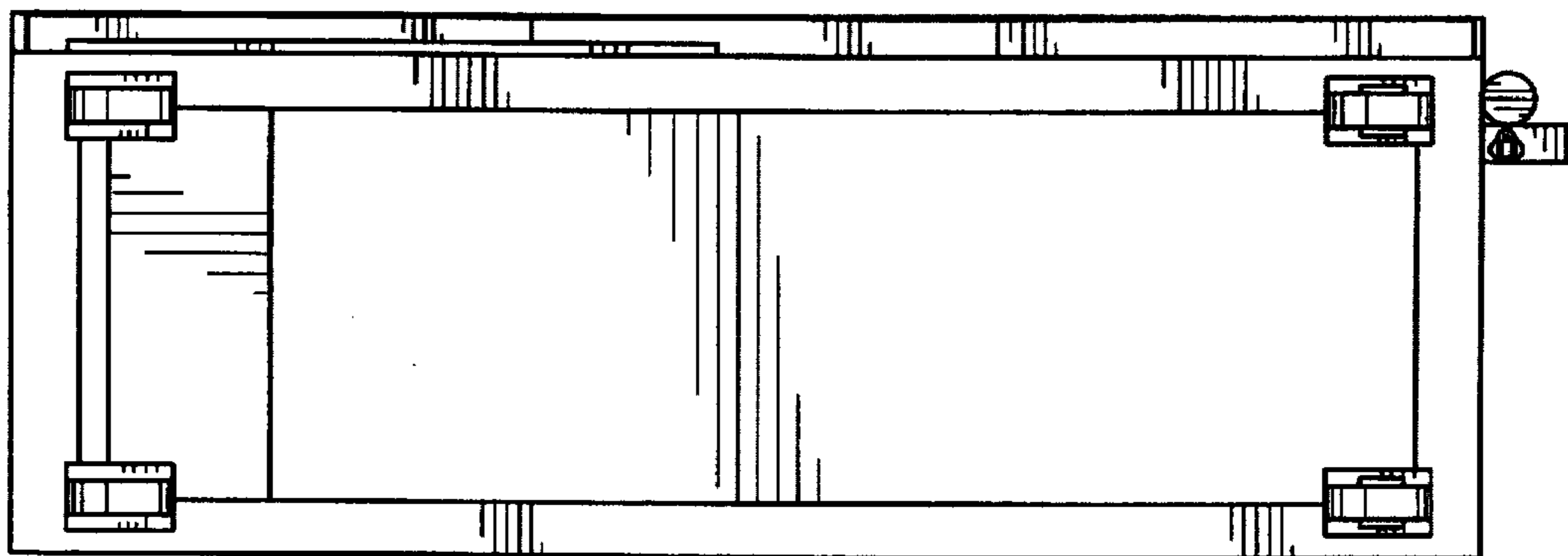


FIG. 7