



US00D385072S

# United States Patent [19] Bradd

[11] Patent Number: Des. 385,072  
[45] Date of Patent: \*\*Oct. 14, 1997

[54] UPRIGHT EXTRACTOR BASE MODULE

5,398,373 3/1995 Blase et al.

[75] Inventor: Sidney H. Bradd, Solon, Ohio

OTHER PUBLICATIONS

[73] Assignee: The Hoover Company, North Canton, Ohio

Eureka ULTRA Vacuum Cleaner Model 7560, purchased Aug. 20, 1984.

[\*\*] Term: 14 Years

Eureka Step Saver Model 53 Vacuum Cleaner, purchased Oct. 27, 1989.

[21] Appl. No.: 34,127

Vetrella Shampoo/Polisher with suction, purchased 1989.

[22] Filed: Jan. 27, 1995

Hoover Runabout Vacuum Cleaner Model U4267-930, sold Dec. 21, 1993.

Related U.S. Application Data

Hoover Elite Supreme Vacuum Cleaner Model U5075-930, sold Mar. 7, 1995.

[62] Division of Ser. No. 5,972, Feb. 5, 1993, Pat. No. Des. 358,241.

Regina Power Scrubber Model S900, purchased Aug. 1993.  
Bissell Green Machine Model 1671-Y, purchased Jan. 5, 1994.

[51] LOC (6) Cl. .... 15-05

[52] U.S. Cl. .... D32/31

[58] Field of Search ..... D32/21, 22, 31-34;  
15/323-326, 331-337, 347, 350-351, 361,  
377, 412, 413, 415.1

Eureka Victory Vacuum Cleaner Model 4441 purchased Dec. 6, 1995.

Eureka Victory Vacuum Cleaner Model 4465, purchased Jul. 11, 1995.

Eureka World Vac Power Nozzle Model 6891, purchased Nov. 1995.

Kenmore Dry Tech Vacuum Cleaner, Canadian Sears Catalog, Fall/winter 1989, p. 866F.

[56] References Cited

Primary Examiner—Ruth McInroy

Attorney, Agent, or Firm—A. Burgess Lowe

U.S. PATENT DOCUMENTS

- D. 198,435 6/1964 Gantz .
- D. 211,109 5/1968 Gantz .
- D. 220,969 6/1971 Rawson et al. .
- D. 262,539 1/1982 Wareham .
- D. 287,894 1/1987 Watkins et al. .... D32/22
- D. 288,016 1/1987 Watkins et al. .... D32/22
- D. 305,269 12/1989 Dyson ..... D32/22
- D. 305,373 1/1990 Yamamoto et al. .... D32/22
- D. 306,087 2/1990 Woodhall et al. .... D32/22
- D. 309,203 7/1990 Goodrich ..... D32/21
- D. 313,095 12/1990 Avecilla et al. .
- D. 325,797 4/1992 Klok .
- D. 326,006 5/1992 Moine .
- D. 329,513 9/1992 Kieft et al. .
- D. 333,892 3/1993 Wareham .
- D. 343,707 1/1994 Dyson ..... D32/22
- D. 345,830 4/1994 Furcron et al. .... D32/22
- D. 346,247 4/1994 Furcron et al. .... D32/22
- D. 346,467 4/1994 Furcron et al. .... D32/22
- D. 346,679 5/1994 Bradd et al. .

[57] CLAIM

The ornamental design for an upright extractor base module, as shown and described.

DESCRIPTION

FIG. 1 is a left side elevational view of an upright extractor base module showing my new design;

FIG. 2 is an enlarged left side elevational view thereof;

FIG. 3 is an enlarged front elevational view thereof;

FIG. 4 is an enlarged rear elevational view thereof; and,

FIG. 5 is an enlarged top plan view thereof.

The right side elevational view of my upright extractor base module as claimed herein is a reversed image of FIG. 2.

The details shown in broken lines are shown for illustrative purposes only and form no part of the claimed design.

1 Claim, 3 Drawing Sheets

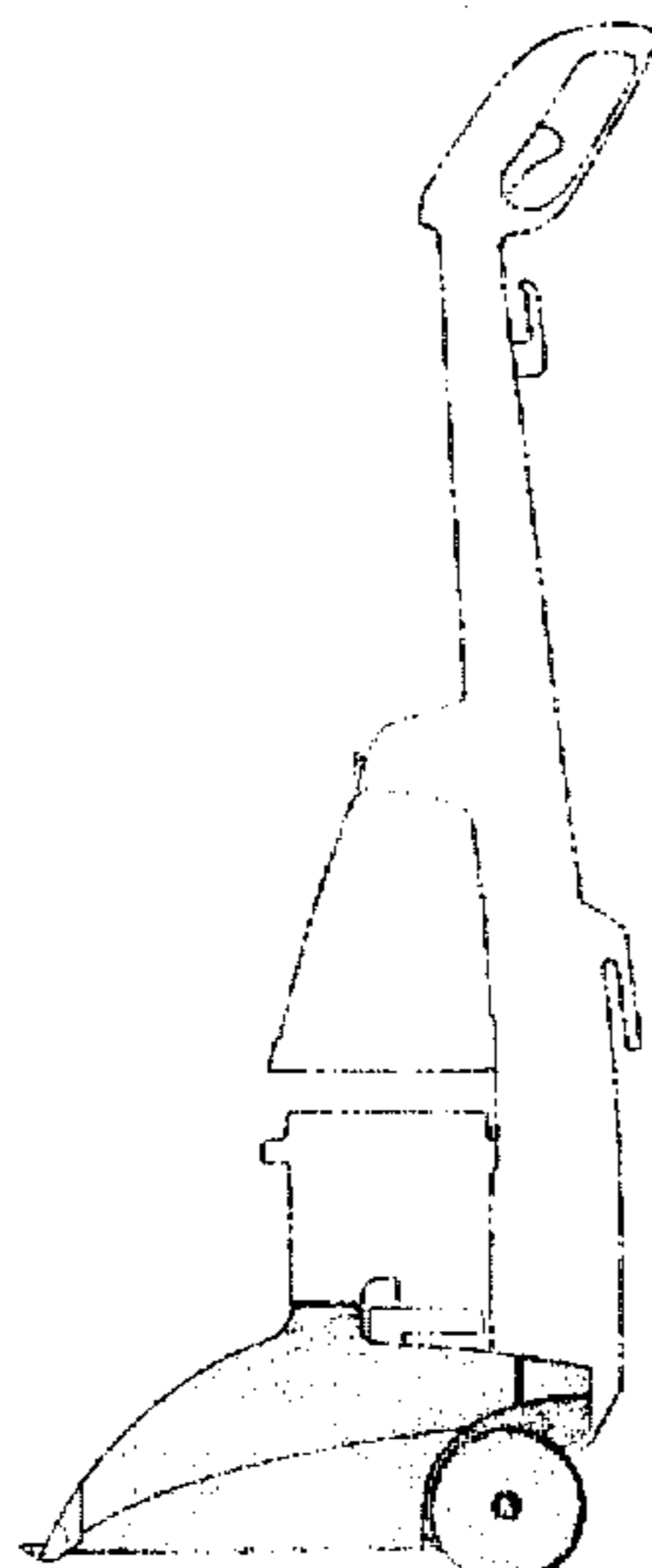


FIG. - I

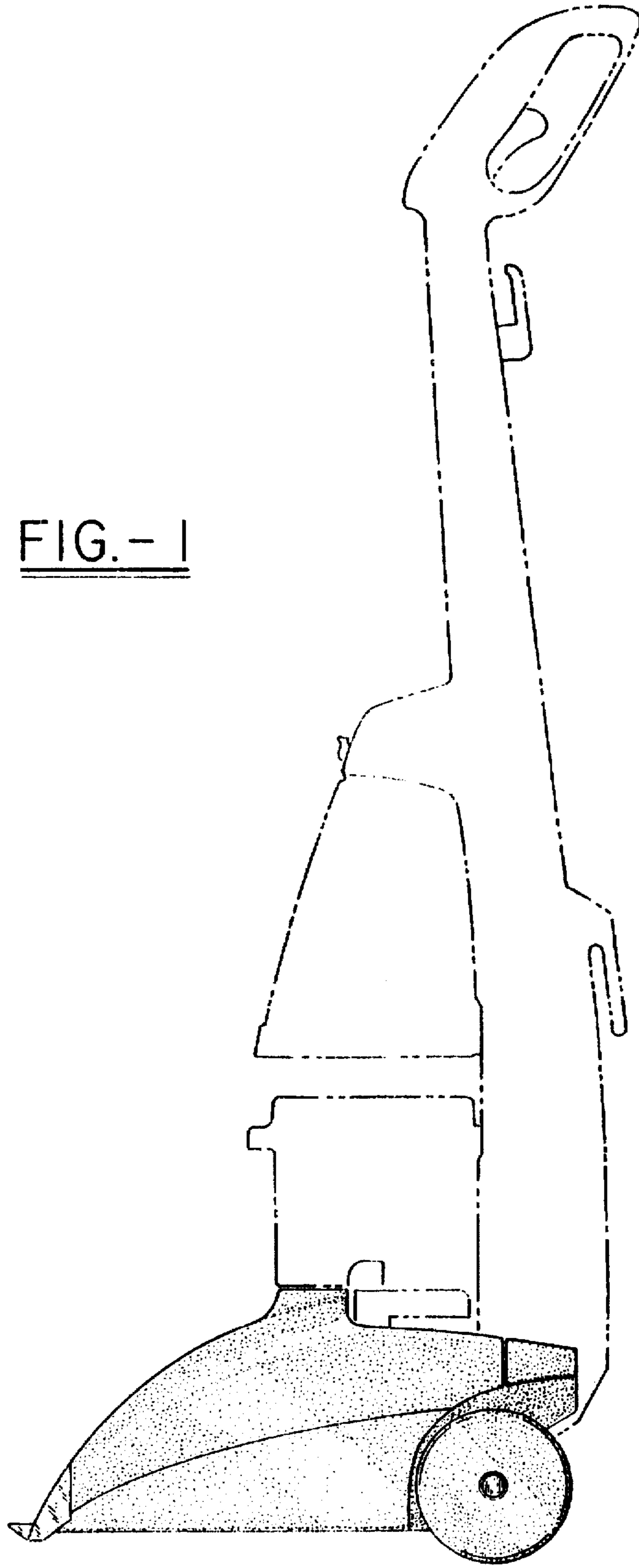


FIG.-3

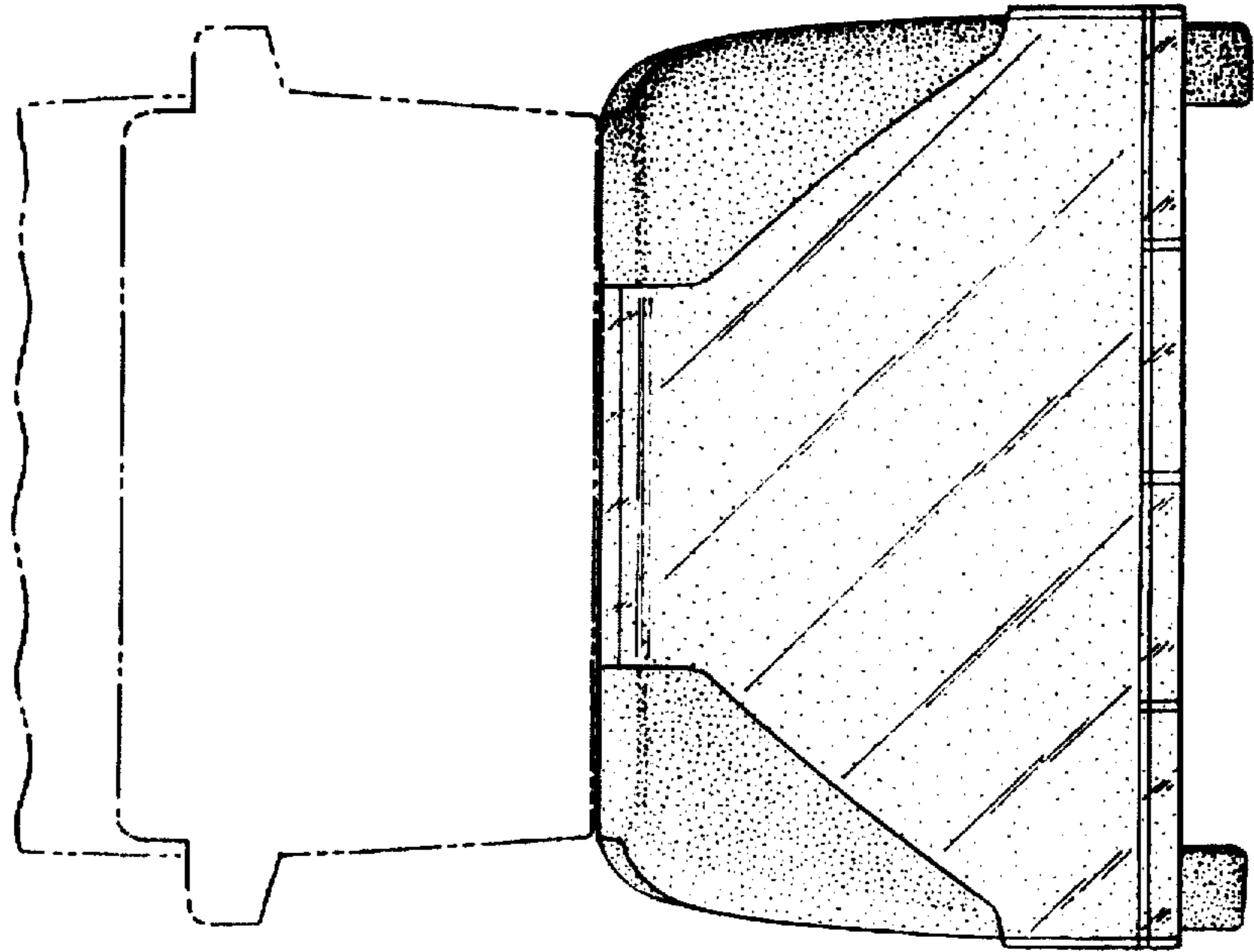
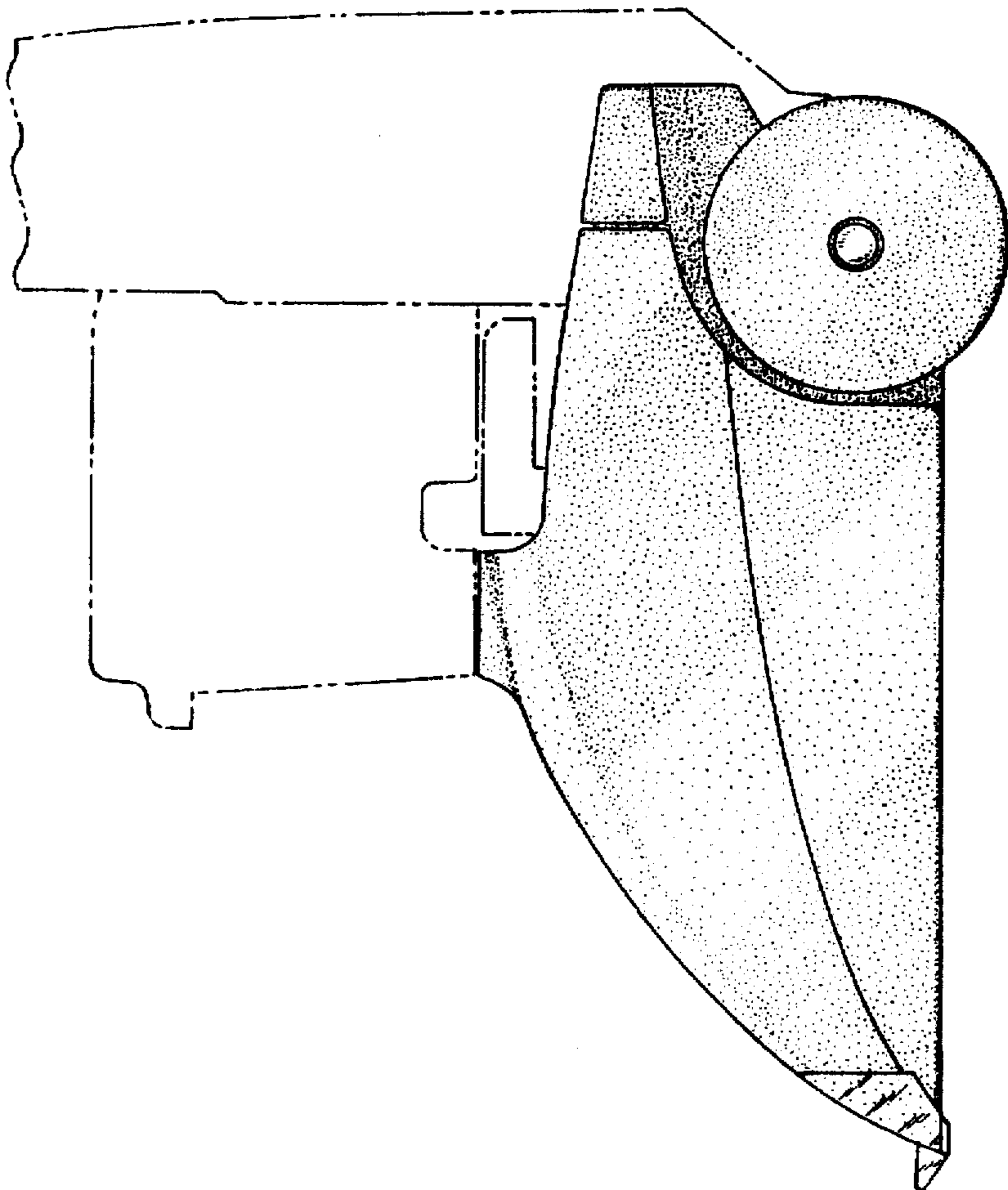


FIG.-2



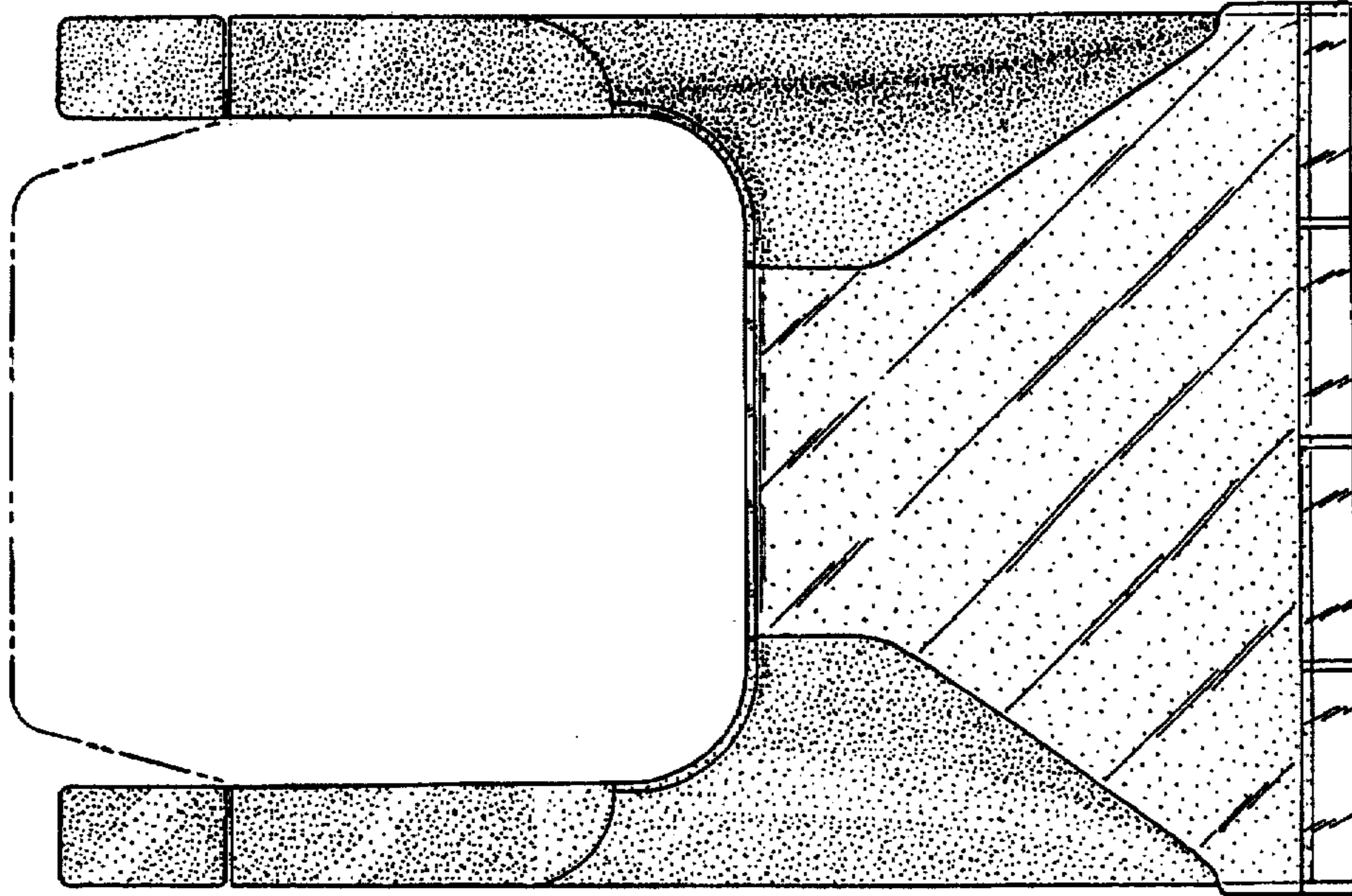


FIG.-5

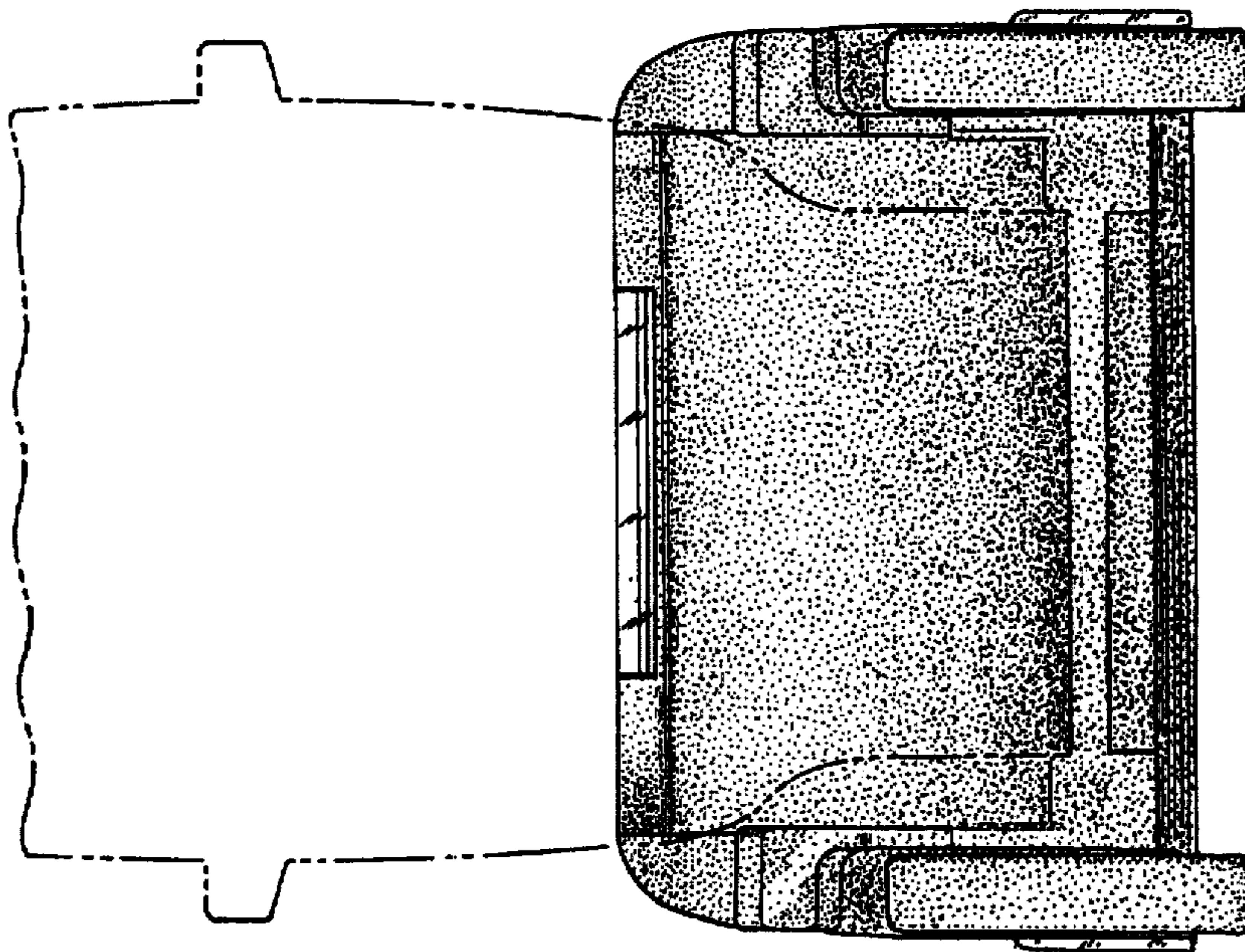


FIG.-4