



US00D385071S

United States Patent [19]

[11] Patent Number: **Des. 385,071**

Hughes et al.

[45] Date of Patent: ****Oct. 14, 1997**

[54] **DISHWASHER CONSOLE**

[75] Inventors: **James S. Hughes; Craig L. Markin,**
both of Columbus, Ohio

[73] Assignee: **White Consolidated Industries, Inc.,**
Cleveland, Ohio

[**] Term: **14 Years**

[21] Appl. No.: **56,822**

[22] Filed: **Jul. 9, 1996**

[51] LOC (6) Cl. **15-05**

[52] U.S. Cl. **D32/3**

[58] Field of Search **D32/3; 312/108,**
312/109; 134/56 D, 57 D, 58 DL, 93, 135

[56] **References Cited**

U.S. PATENT DOCUMENTS

- D. 183,303 8/1958 Dushek .
- D. 193,527 9/1962 Dreyfuss et al. .
- D. 196,982 11/1963 Doman .
- D. 201,827 8/1965 Sandin et al. .
- D. 205,043 6/1966 Saiger et al. .
- D. 205,959 10/1966 Smith .
- D. 212,039 8/1968 Appel et al. .
- D. 214,193 5/1969 Swartz .
- D. 320,487 10/1991 Marks et al. .
- D. 320,488 10/1991 Marks et al. .
- D. 320,489 10/1991 Marks et al. .
- D. 373,860 9/1996 Manke D32/3

- 3,908,681 9/1975 Schimke et al. .
- 4,179,821 12/1979 Herbst et al. .
- 4,249,090 2/1981 Cushing .
- 4,329,596 5/1982 Marcade .
- 4,635,799 1/1987 Penner .
- 4,732,431 3/1988 Mason .
- 5,115,822 5/1992 Nichols .
- 5,345,957 9/1994 Cooper et al. .
- 5,365,959 11/1994 Favaro .
- 5,453,586 9/1995 Stottmann .
- 5,496,104 3/1996 Arnold et al. .
- 5,571,276 11/1996 Kobos et al. 312/109 X

Primary Examiner—Sandra L. Morris
Assistant Examiner—Mitchell I. Siegel
Attorney, Agent, or Firm—Pearne, Gordon, McCoy & Granger LLP

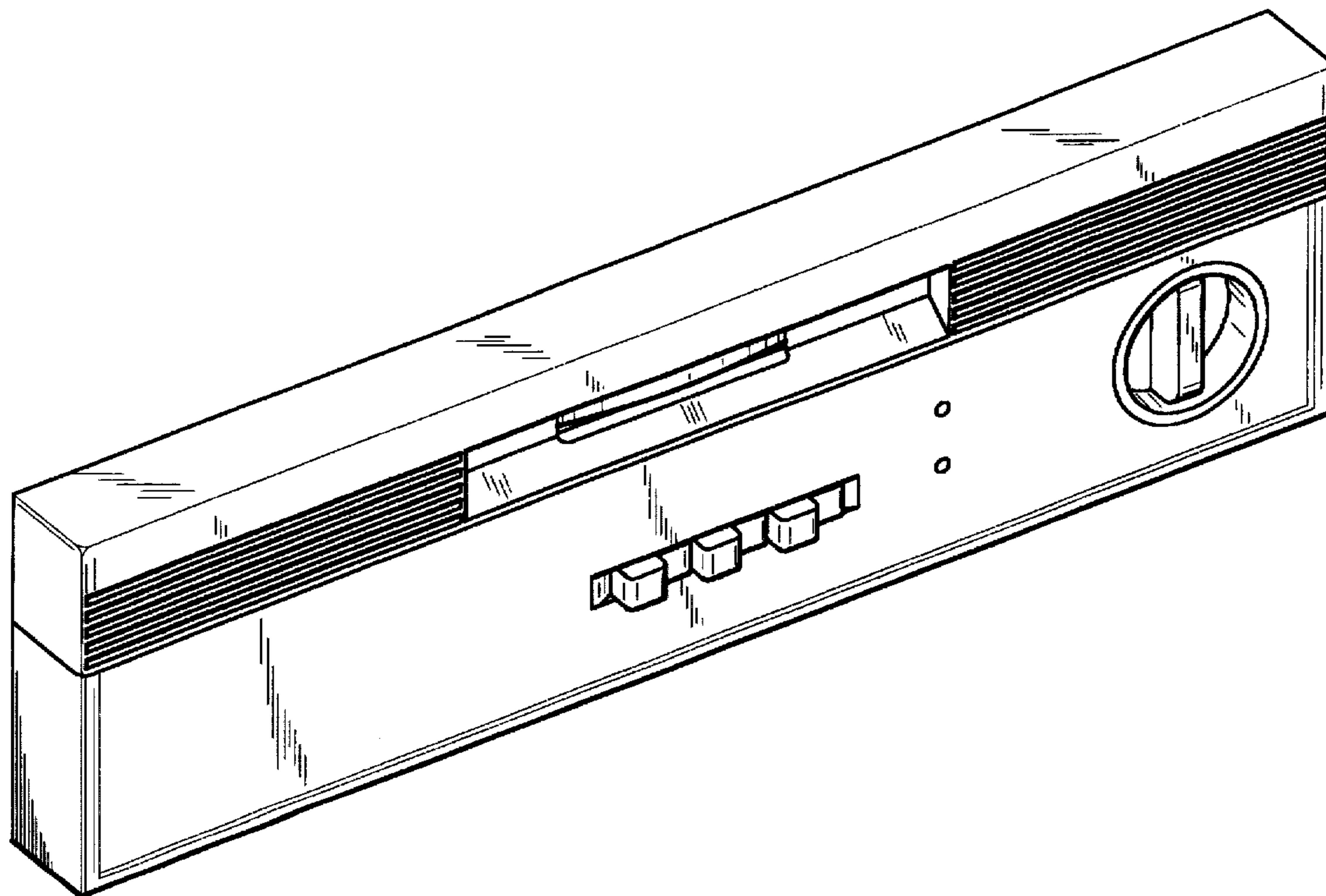
[57] CLAIM

The ornamental design for a dishwasher console, as shown and described.

DESCRIPTION

FIG. 1 is a front isometric view of a dishwasher console, showing our new design;
FIG. 2 is a front elevational view thereof;
FIG. 3 is a right side elevational view thereof, the left side being a mirror image thereof; and,
FIG. 4 is a top plan view thereof.
The undisclosed bottom and rear form no part of the claimed design.

1 Claim, 2 Drawing Sheets



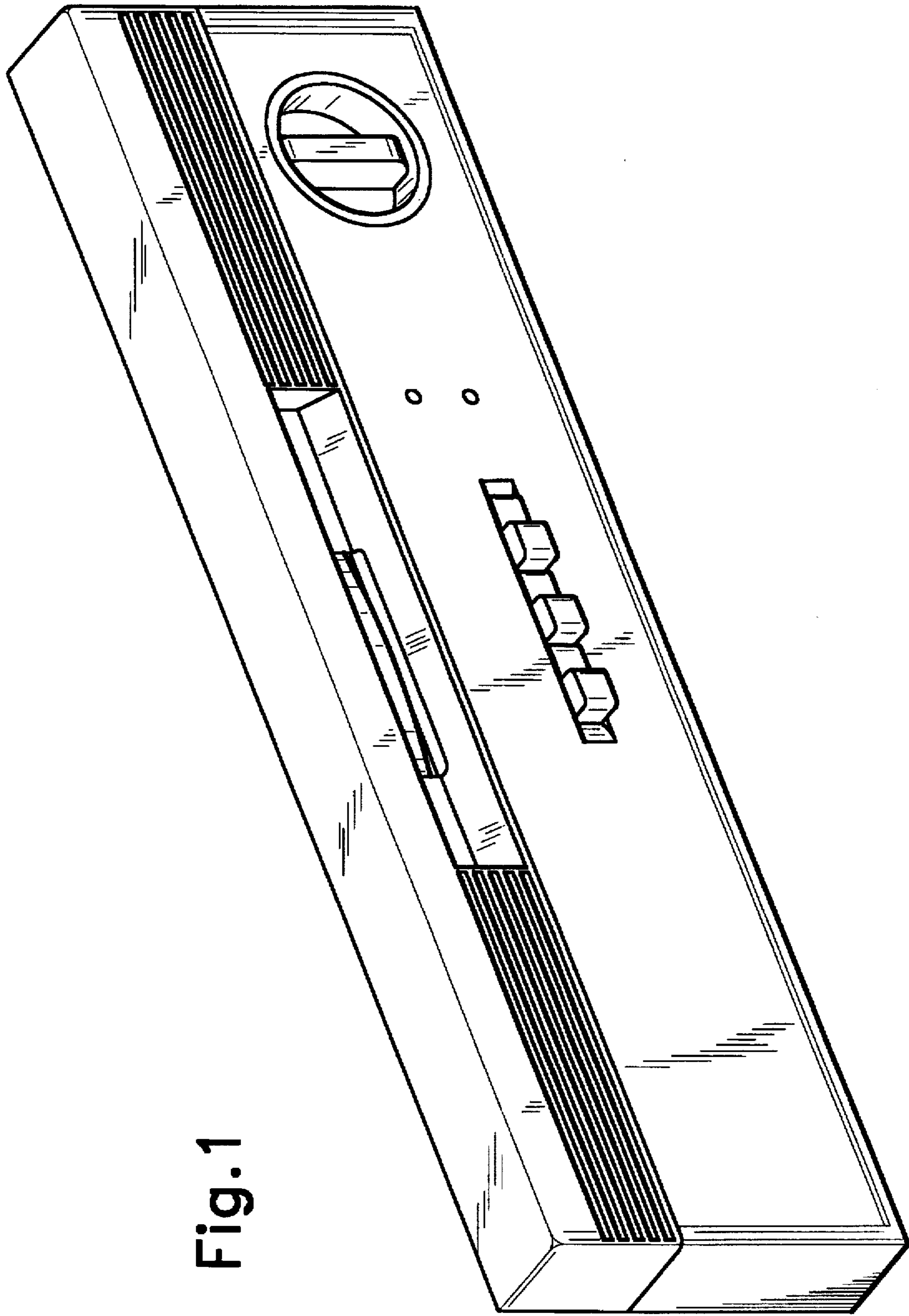


Fig. 1



Fig. 4

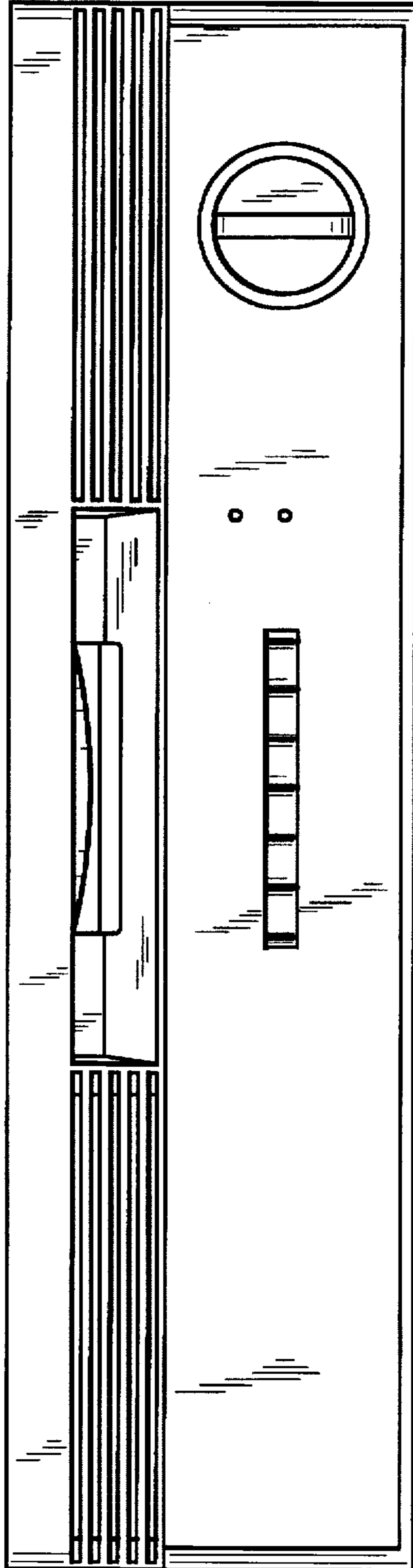


Fig. 2

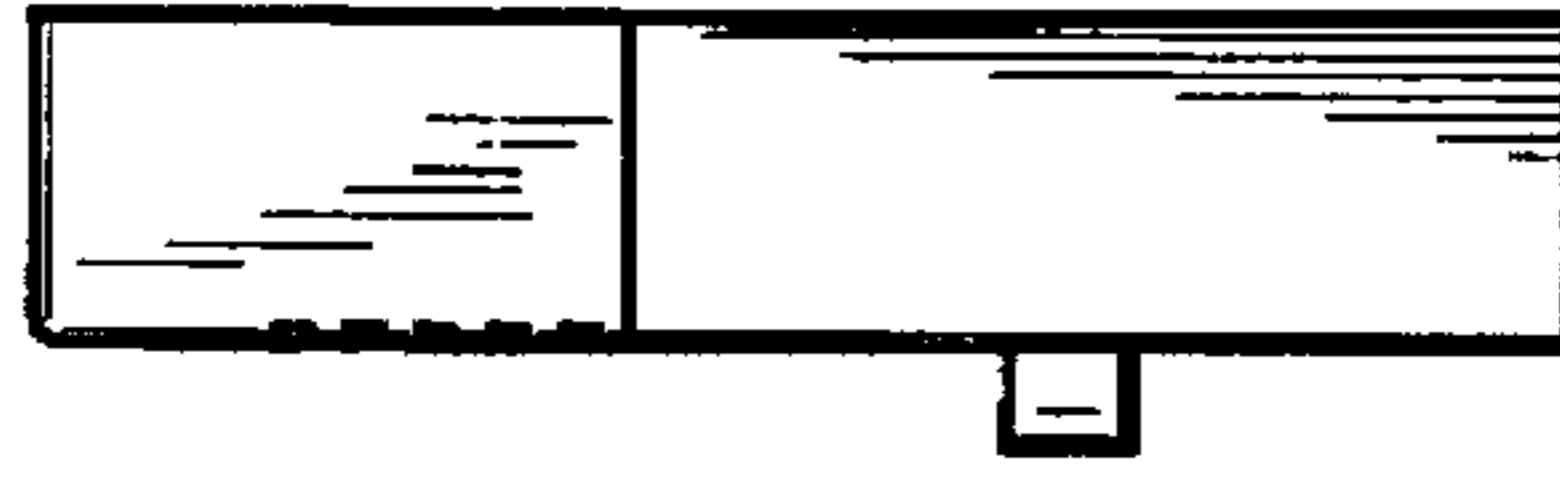


Fig. 3