



US00D385067S

United States Patent [19] Whittles

[11] Patent Number: Des. 385,067
[45] Date of Patent: **Oct. 14, 1997

[54] BIRD FEEDER

[75] Inventor: **Franklyn Brian Whittles**, Nr. Shrewsbury, England
[73] Assignee: **C J Wildbird Foods Ltd.**, Shropshire, United Kingdom
[**] Term: **14 Years**
[21] Appl. No.: **32,068**
[22] Filed: **Dec. 13, 1994**

[30] Foreign Application Priority Data

Jun. 14, 1994 [GB] United Kingdom 2039670
Jul. 6, 1994 [GB] United Kingdom 2040132
Sep. 16, 1994 [GB] United Kingdom 2041860

[51] LOC (6) Cl. **30-03**
[52] U.S. Cl. **D30/124; D30/127**
[58] Field of Search **D30/121, 123-128, D30/132, 133; 119/57.8-57.9, 52.2, 52.3, 77**

[56] References Cited

U.S. PATENT DOCUMENTS

D. 231,369 4/1974 Kilham 119/57.8
D. 262,917 2/1982 Kilham 119/57.8
D. 325,654 4/1992 Schuetz et al. D30/128
3,568,641 3/1971 Kilham 119/57.8
4,188,913 2/1980 Earl et al. 119/57.9
4,829,934 5/1989 Blasbalg 119/57.8
4,996,947 3/1991 Petrides 119/57.8
5,215,039 6/1993 Bischerer 119/57.8
5,235,935 8/1993 Edwards 119/57.8

OTHER PUBLICATIONS

The Whistle Seed Feeder by Droll Yankers Inc. brochure; 1975.

Primary Examiner—Cathy Anne MacCormac
Attorney, Agent, or Firm—Learman & McCulloch

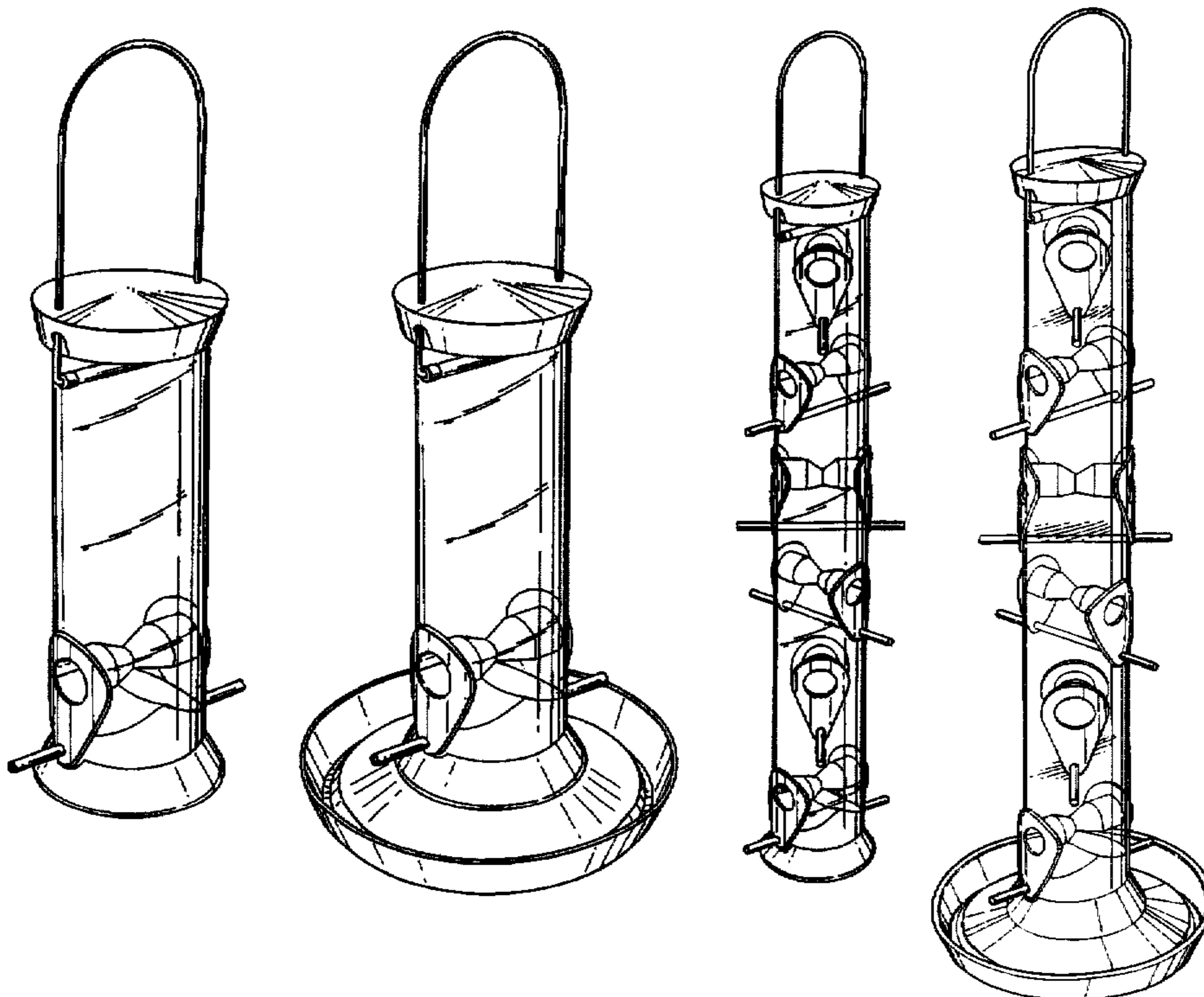
[57] CLAIM

The ornamental design for a bird feeder, as shown and described.

DESCRIPTION

FIG. 1 is a perspective view of one embodiment of the design;
FIG. 2 is an elevational view of one side thereof, the opposite side of which is identical;
FIG. 3 is an elevational view of another side thereof, but rotated clockwise 90° from the position shown in FIG. 2, the opposite side of which is identical;
FIG. 4 is a perspective view of a second embodiment of the design shown in FIG. 1;
FIG. 5 is a perspective view of the base shown in FIG. 4;
FIG. 6 is a cross-sectional view taken on the line 6—6 of FIG. 5;
FIG. 7 is a perspective view taken from the front and one side of a third embodiment of the design shown in FIG. 1, the rear and opposite sides being identical; and,
FIG. 8 is a perspective view taken from the front and one side of a fourth embodiment of the design shown in FIG. 1, the rear and opposite side being identical.

1 Claim, 7 Drawing Sheets



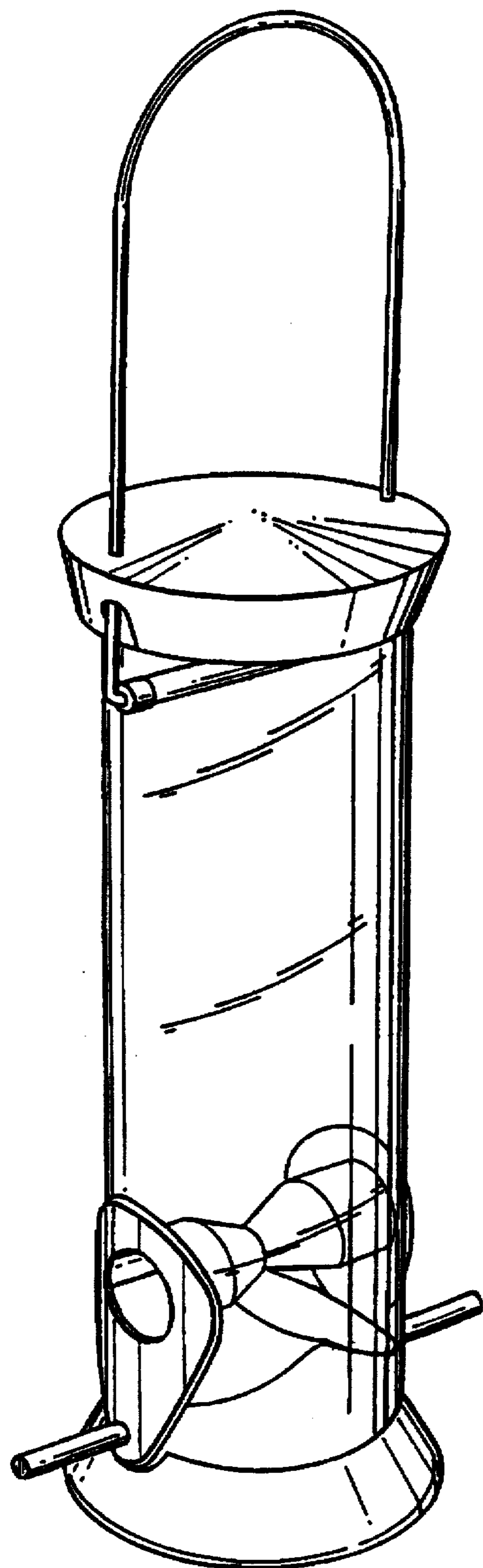


Fig. 1

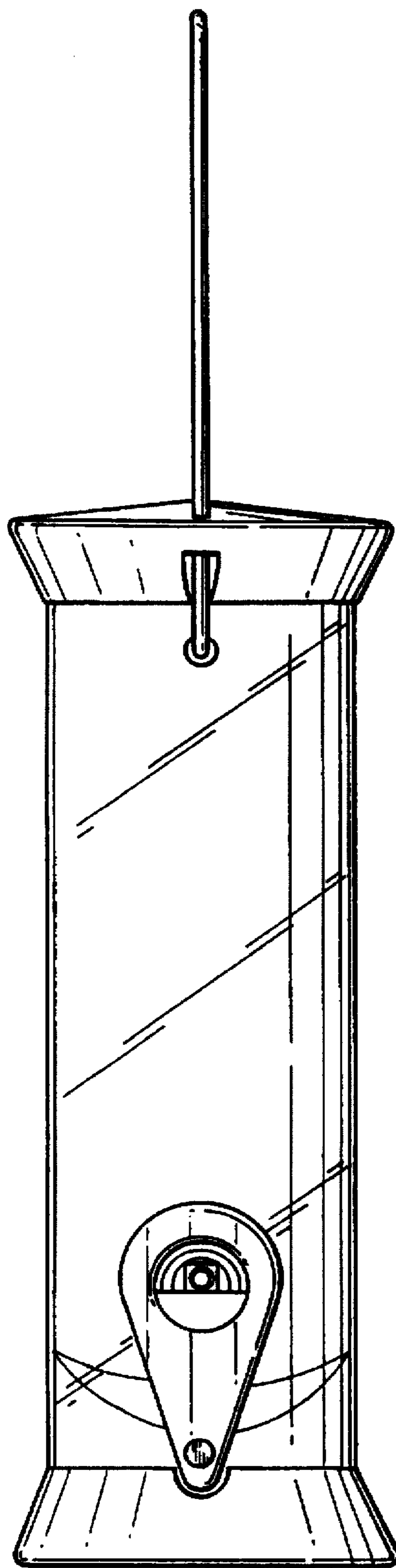


Fig. 2

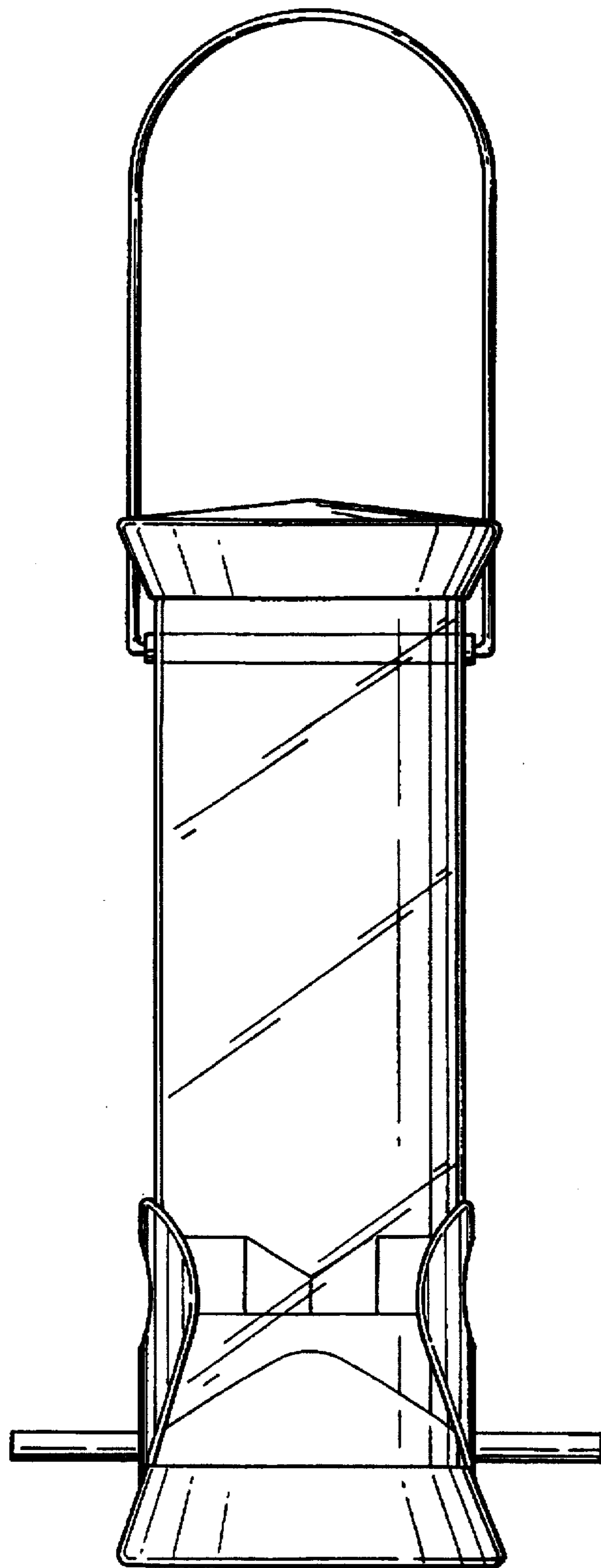


Fig. 3

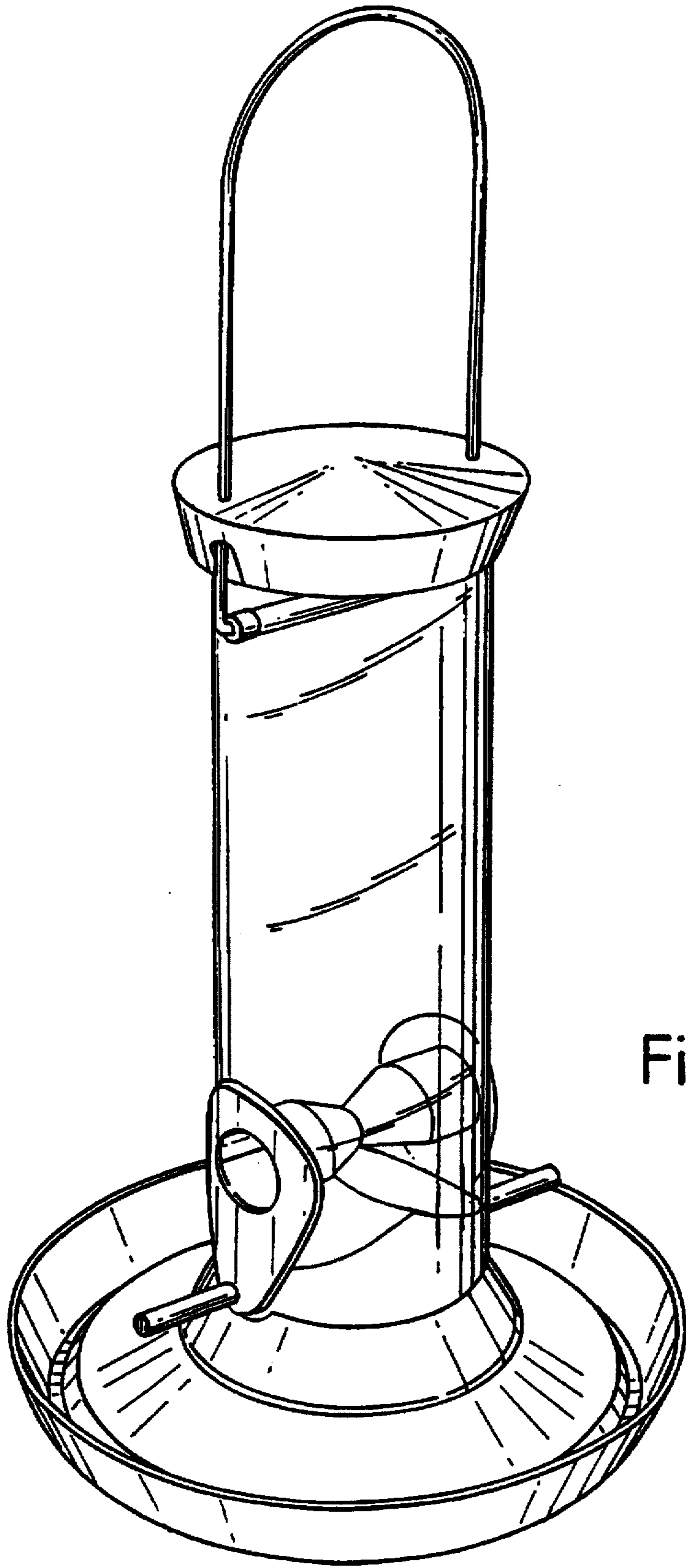


Fig. 4

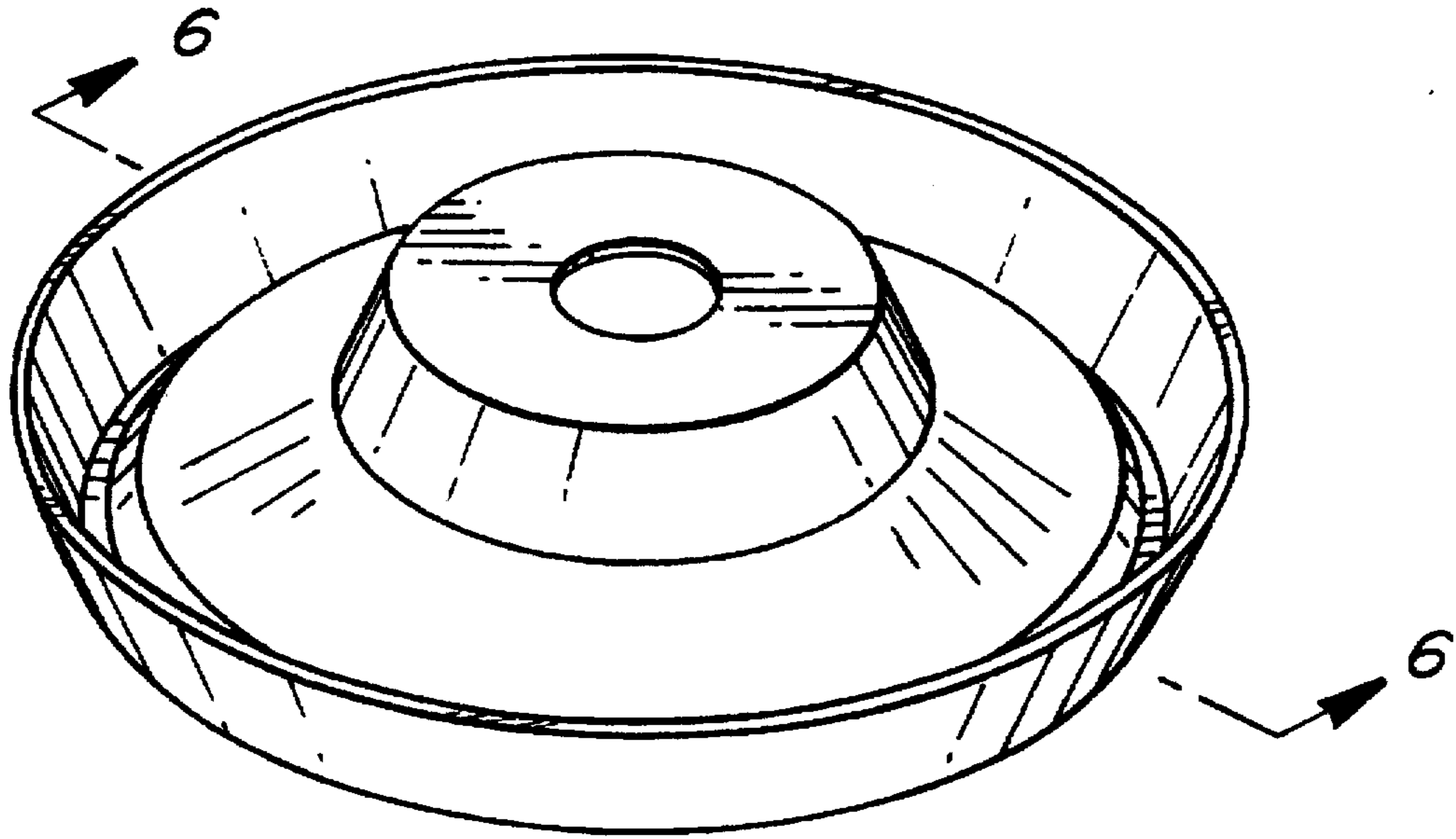


Fig. 5

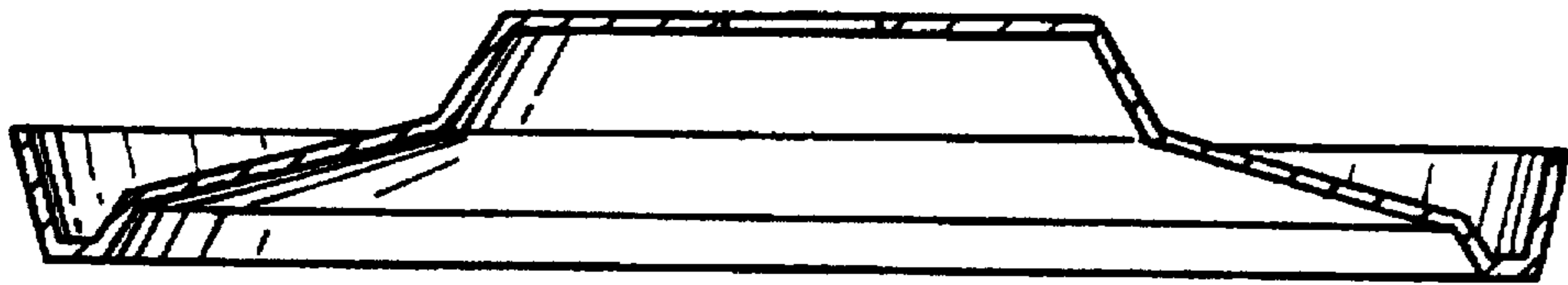


Fig. 6

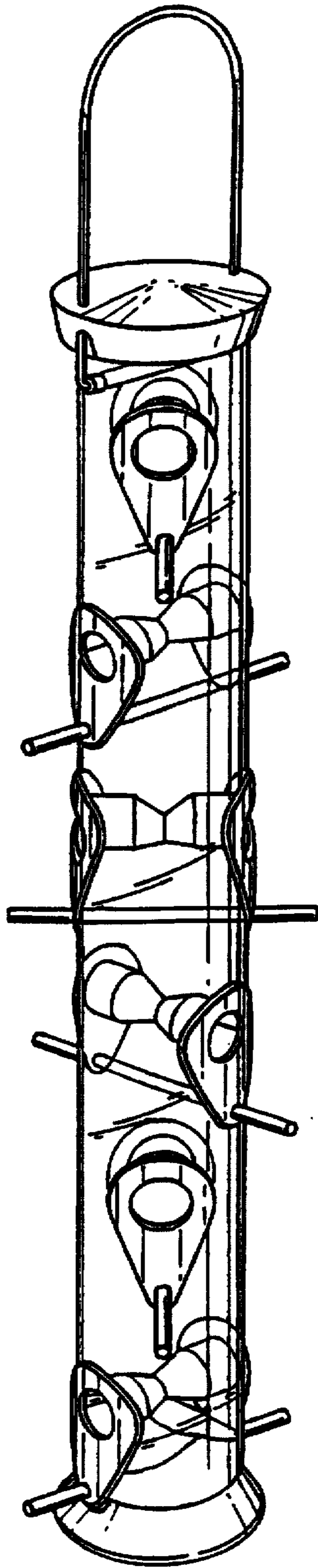


Fig. 7

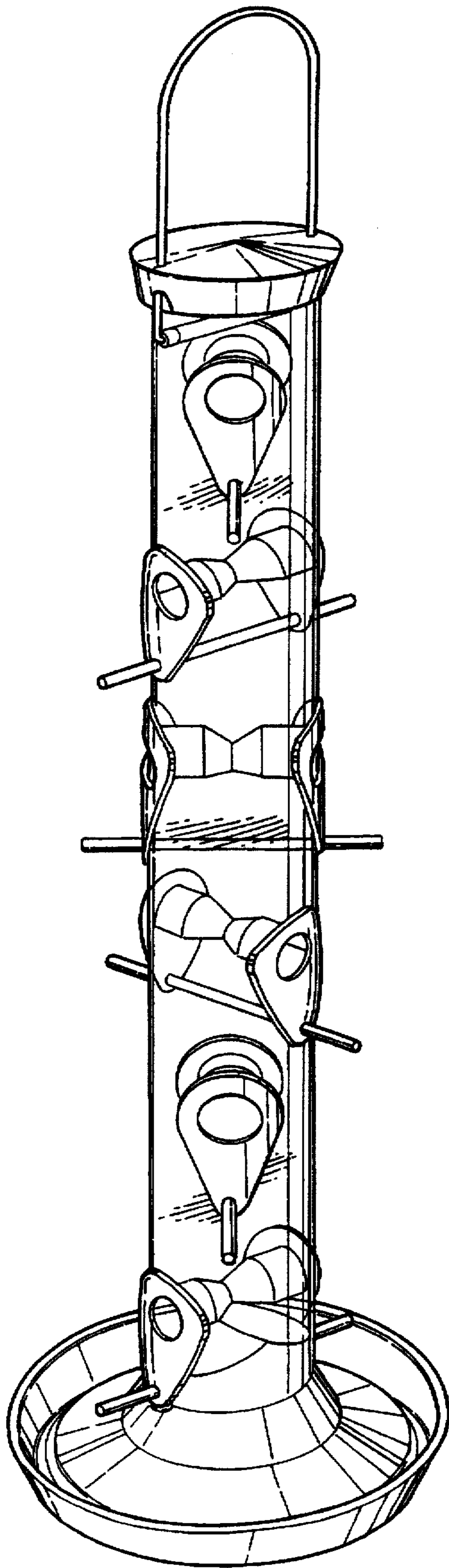


Fig. 8