

US00D385066S

**United States Patent** [19]  
**Doornbos**

[11] **Patent Number: Des. 385,066**  
[45] **Date of Patent: \*\*Oct. 14, 1997**

[54] **BIRD FEEDER**

121224 3/1948 Sweden ..... 119/531

[76] **Inventor: William Doornbos, 16340 Mt. Emma,  
Fountain Valley, Calif. 92708**

**OTHER PUBLICATIONS**

Hendryx Catalog No. 39; p. 99 items No. SB and No. 113;  
p. 104, item No. 91 1/2 Feb. 1924.

[\*\*] **Term: 14 Years**

*Primary Examiner*—Cathy Anne MacCormac

[21] **Appl. No.: 51,797**

[57] **CLAIM**

[22] **Filed: Mar. 18, 1996**

The ornamental design for a bird feeder, as shown and  
described.

[51] **LOC (6) Cl. .... 30-02**

[52] **U.S. Cl. .... D30/119**

[58] **Field of Search** ..... D30/119, 121,  
D30/122, 132, 133, 199, 124-128, 110,  
111, 114-116; 119/464, 456, 454, 475,  
477, 61, 531, 537

**DESCRIPTION**

FIG. 1 is a perspective view of the bird feeder showing my  
new design;

FIG. 2 is a front elevational view thereof;

FIG. 3 is a right side elevational view thereof;

FIG. 4 is a left side elevational view thereof;

FIG. 5 is a rear elevational view thereof;

FIG. 6 is a top plan view thereof; and,

FIG. 7 is a bottom plan view thereof.

The broken line showing of the cage in FIG. 1 is for  
illustrative purposes only and forms no part of the claimed  
design.

[56] **References Cited**

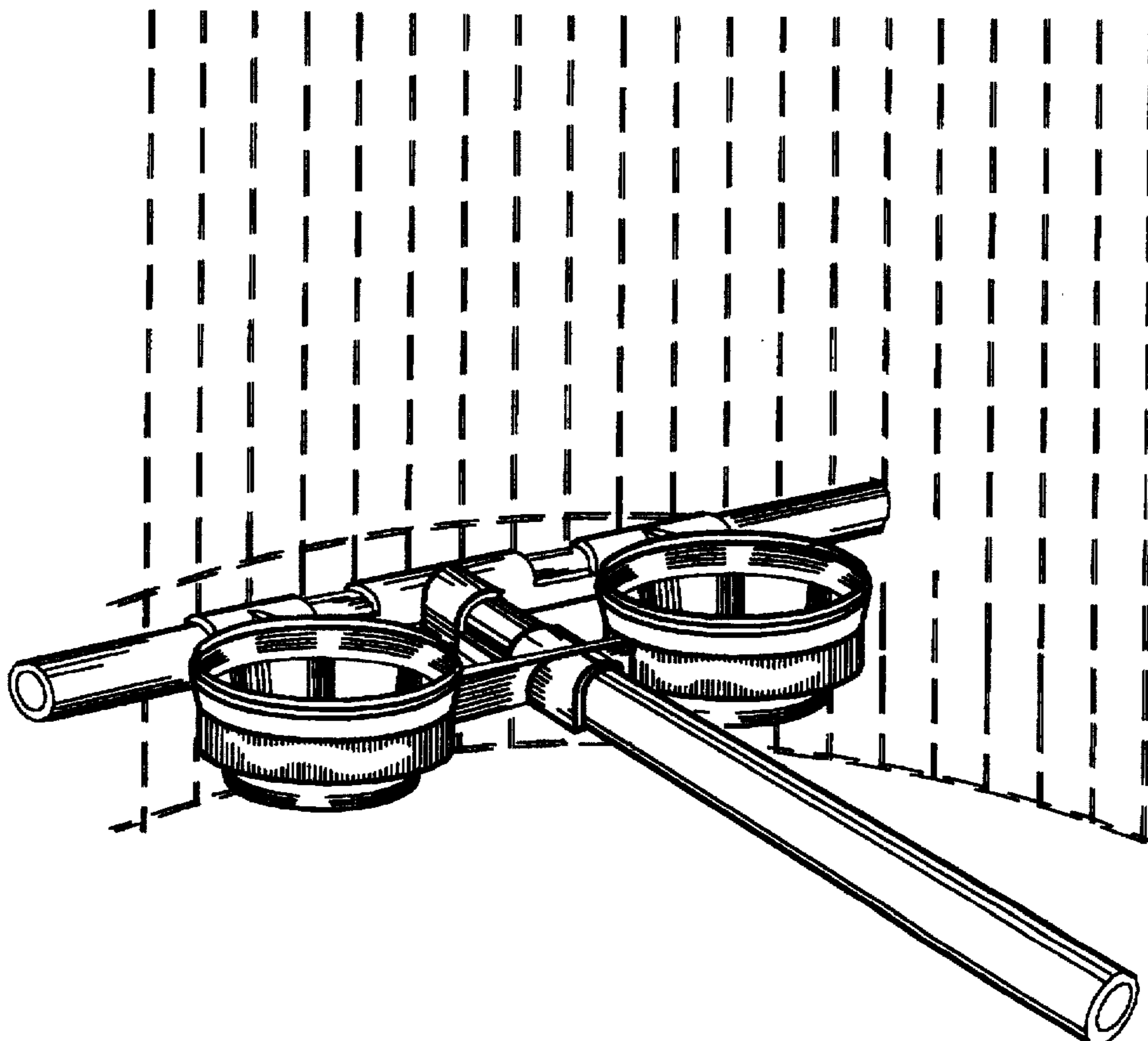
**U.S. PATENT DOCUMENTS**

D. 76,406	9/1928	Leon	.....	D30/199
D. 103,963	4/1937	Butler	.....	D30/127
D. 360,498	7/1995	Belasco	.....	D30/132
D. 363,368	10/1995	Tostgie	.....	D30/119
1,647,069	10/1927	Ahlman	.....	119/61
2,620,770	12/1952	Drake	.....	119/456

**FOREIGN PATENT DOCUMENTS**

734558 10/1932 France ..... 119/475

**1 Claim, 2 Drawing Sheets**



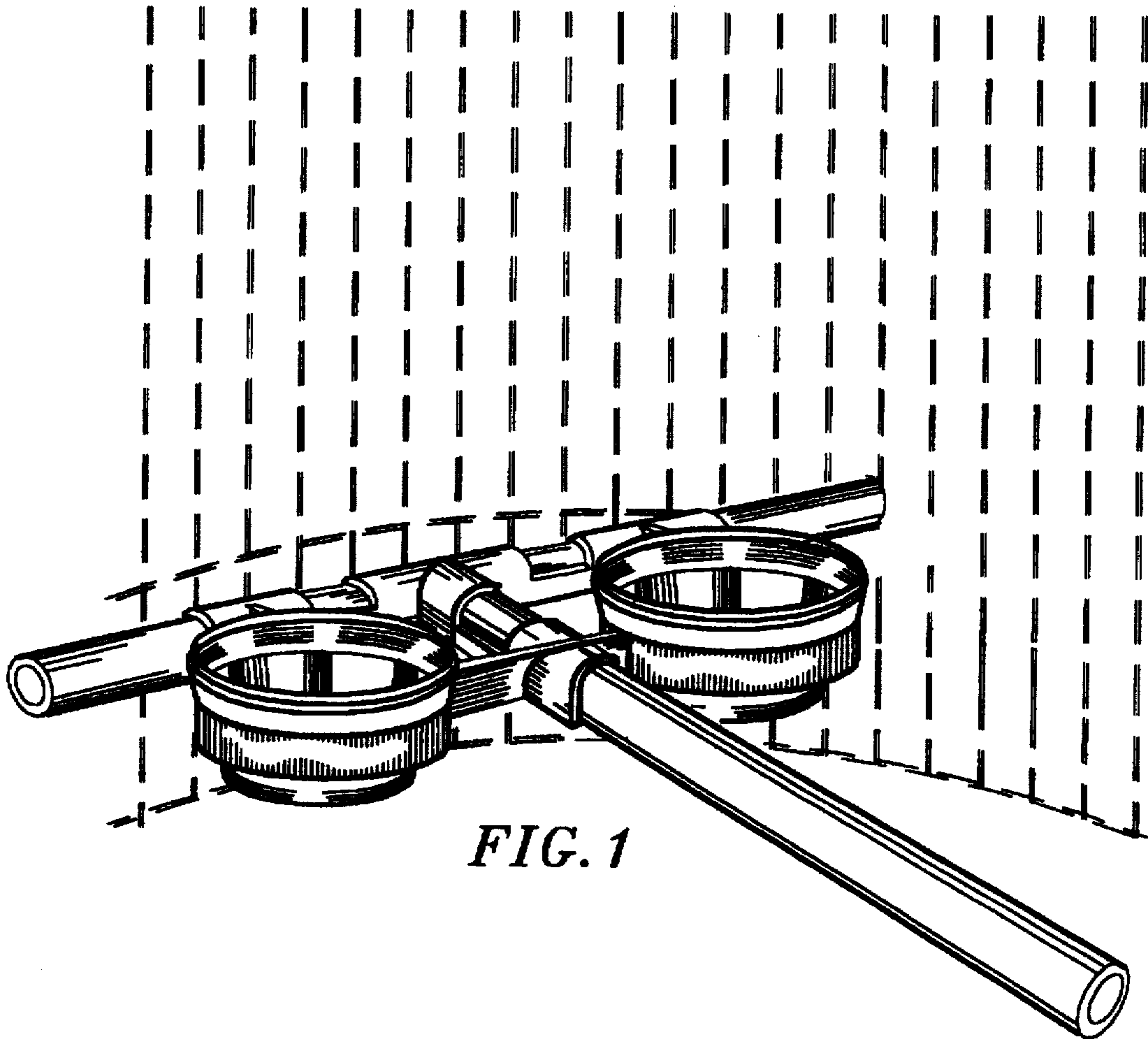


FIG. 1

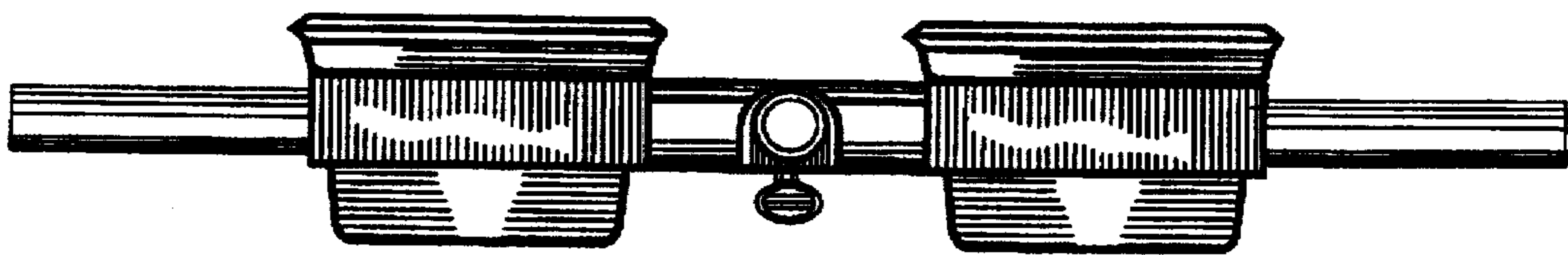


FIG. 2

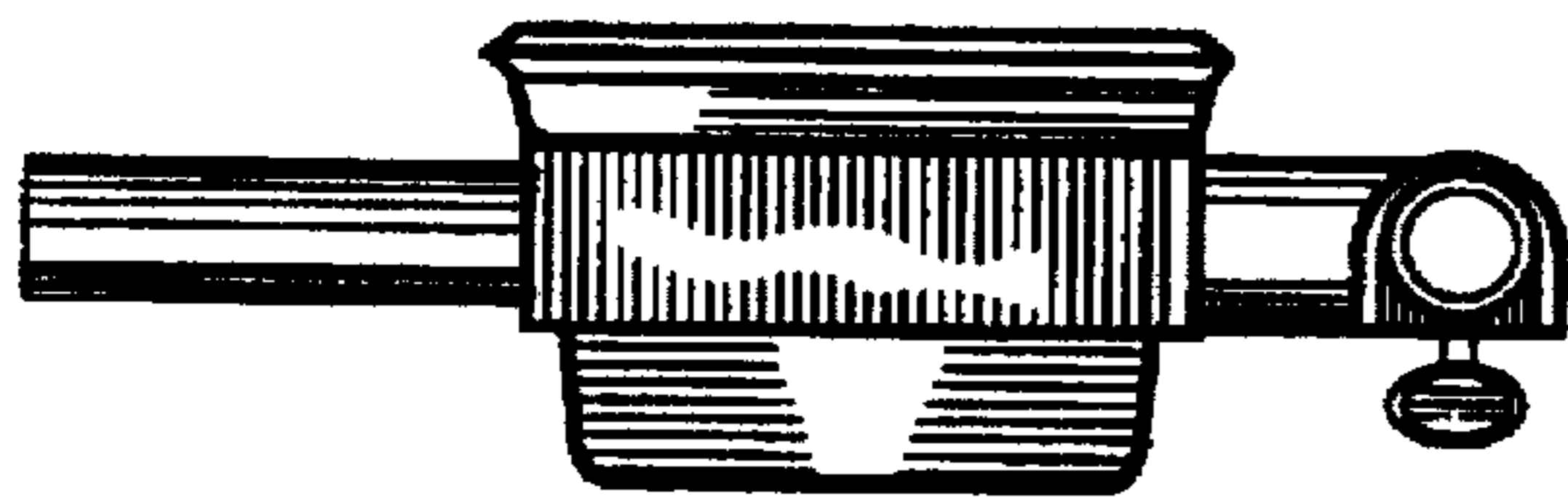


FIG. 3

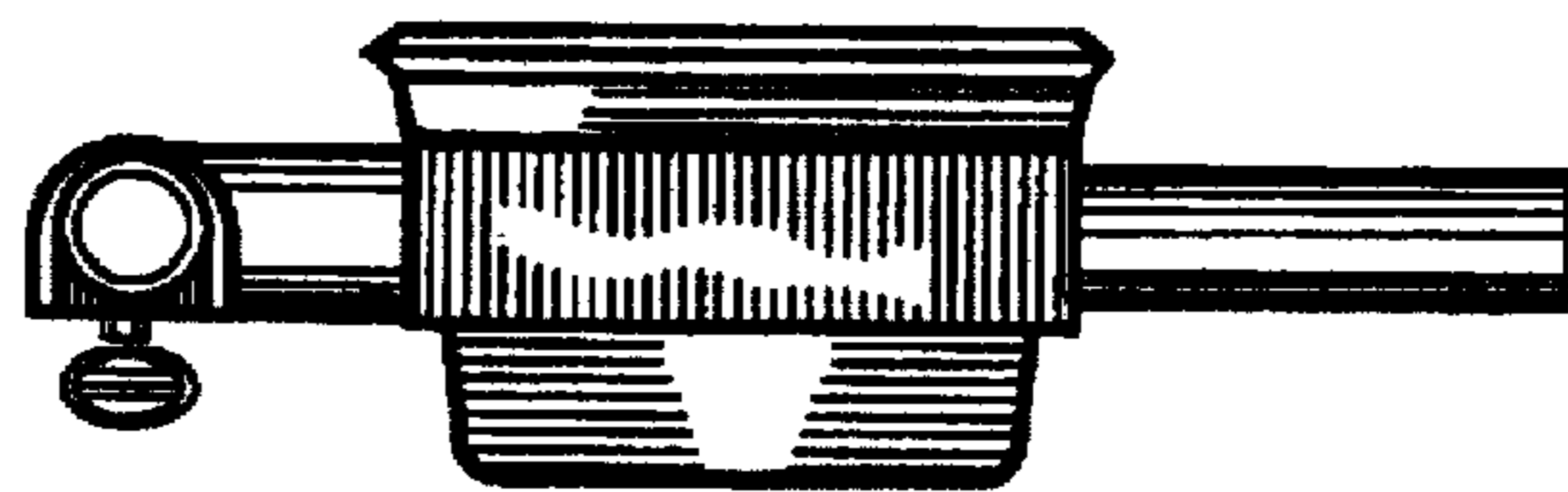


FIG. 4

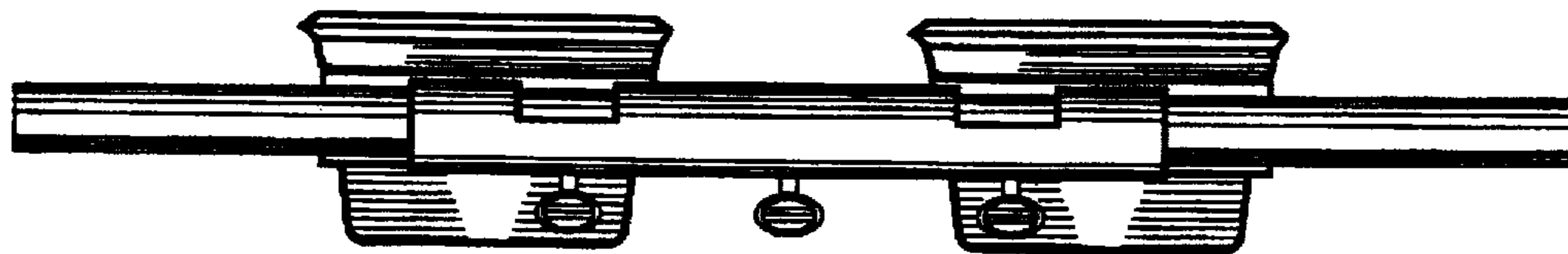


FIG. 5

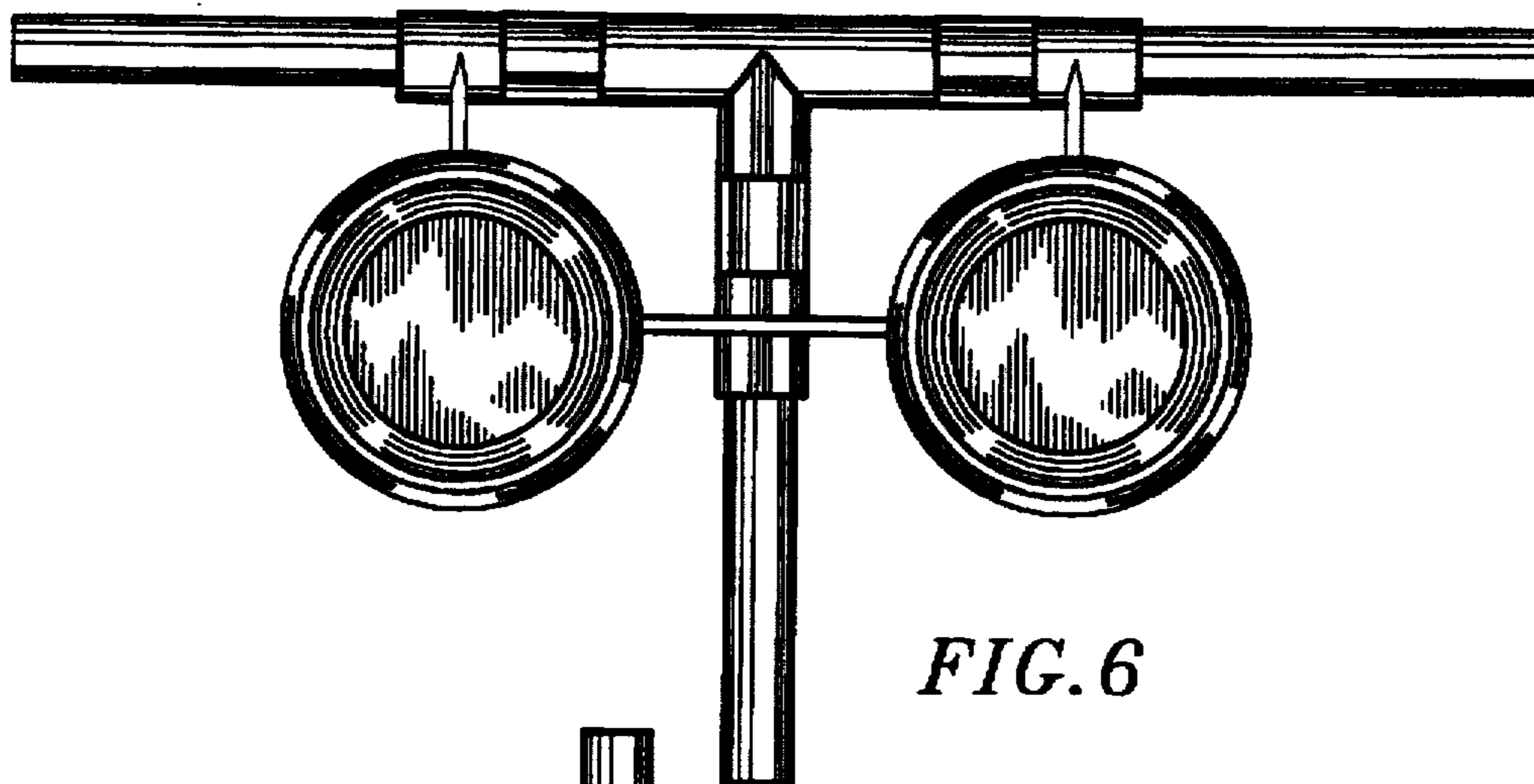


FIG. 6

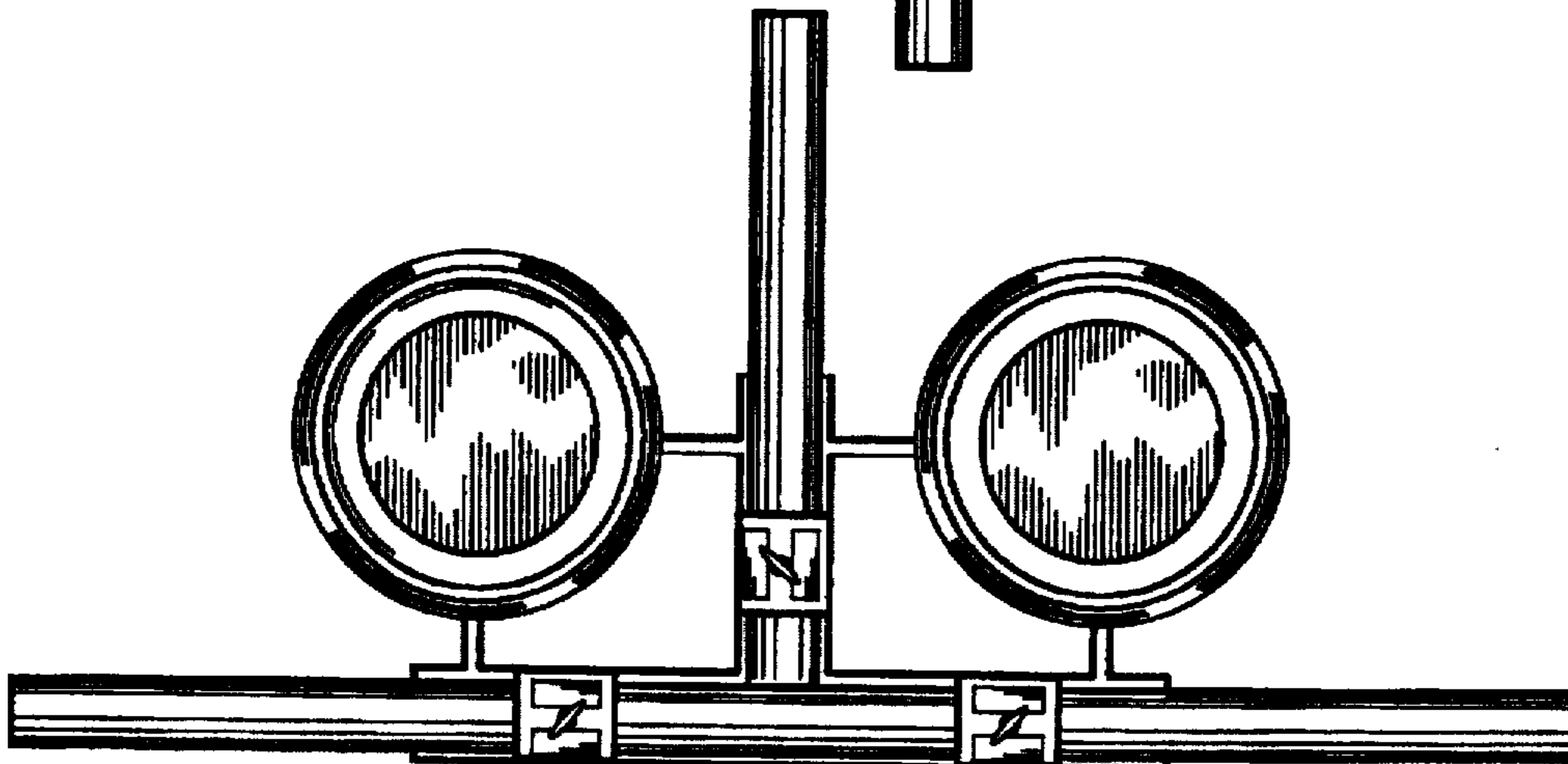


FIG. 7