



US00D385053S

**United States Patent** [19]  
**Haugaard et al.**

[11] **Patent Number: Des. 385,053**  
[45] **Date of Patent: \*\*Oct. 14, 1997**

[54] **PRISMATIC AREA LIGHT**

[75] **Inventors: Eric J. Haugaard, Kenosha; Alan J. Ruud, Racine; Robert Giese, Kenosha; Kent Solberg; Cory Ternberg, both of Racine, all of Wis.**

[73] **Assignee: Ruud Lighting, Inc., Racine, Wis.**

[\*\*] **Term: 14 Years**

[21] **Appl. No.: 61,311**

[22] **Filed: Oct. 21, 1996**

**Related U.S. Application Data**

[62] **Division of Ser. No. 44,283, Sep. 21, 1995.**

[51] **LOC (6) Cl. .... 26-05**

[52] **U.S. Cl. .... D26/67; D26/87**

[58] **Field of Search .... D26/67, 68, 69, D26/70, 71, 87, 92, 128-136; 362/147, 431, 341, 342, 345, 347, 348, 350**

[56] **References Cited**

**U.S. PATENT DOCUMENTS**

D. 290,409 6/1987 Gendron et al. .... D26/67  
2,967,230 1/1961 Goetz et al. .... 362/269

*Primary Examiner*—Susan J. Lucas  
*Attorney, Agent, or Firm*—Jansson & Shupe, Ltd.

[57] **CLAIM**

The ornamental design for a prismatic area light, as shown and described.

**DESCRIPTION**

FIG. 1 is a front elevation view of the prismatic area light. The rear elevation view is identical thereto;

FIG. 2 is an elevation view of the right side of the prismatic area light of FIG. 1. The elevation view of the left side is identical thereto;

FIG. 3 is a bottom plan view of the prismatic area light of FIG. 1; and,

FIG. 4 is a top plan view of the prismatic area light of FIG. 1.

**1 Claim, 1 Drawing Sheet**

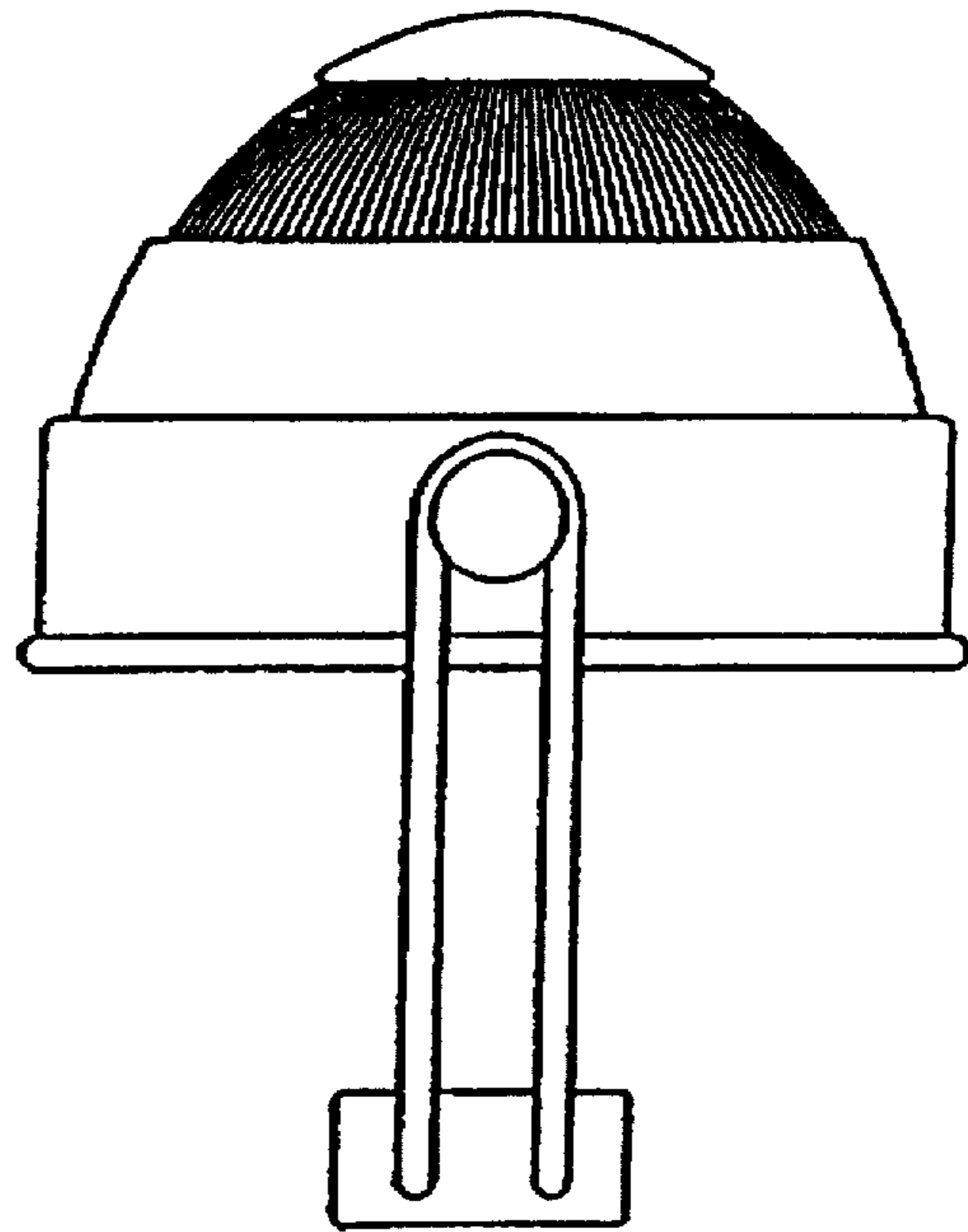
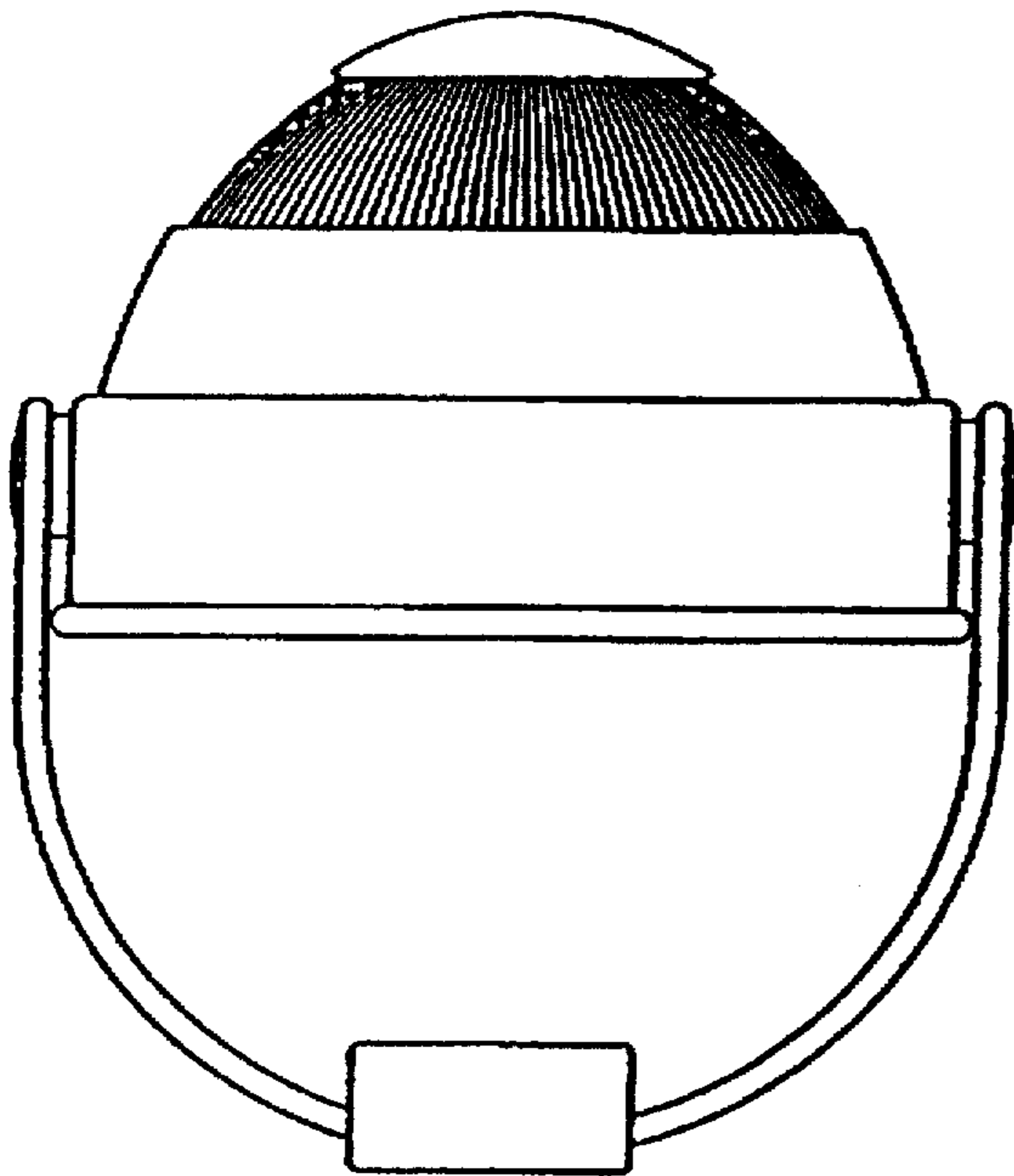


FIG. 4

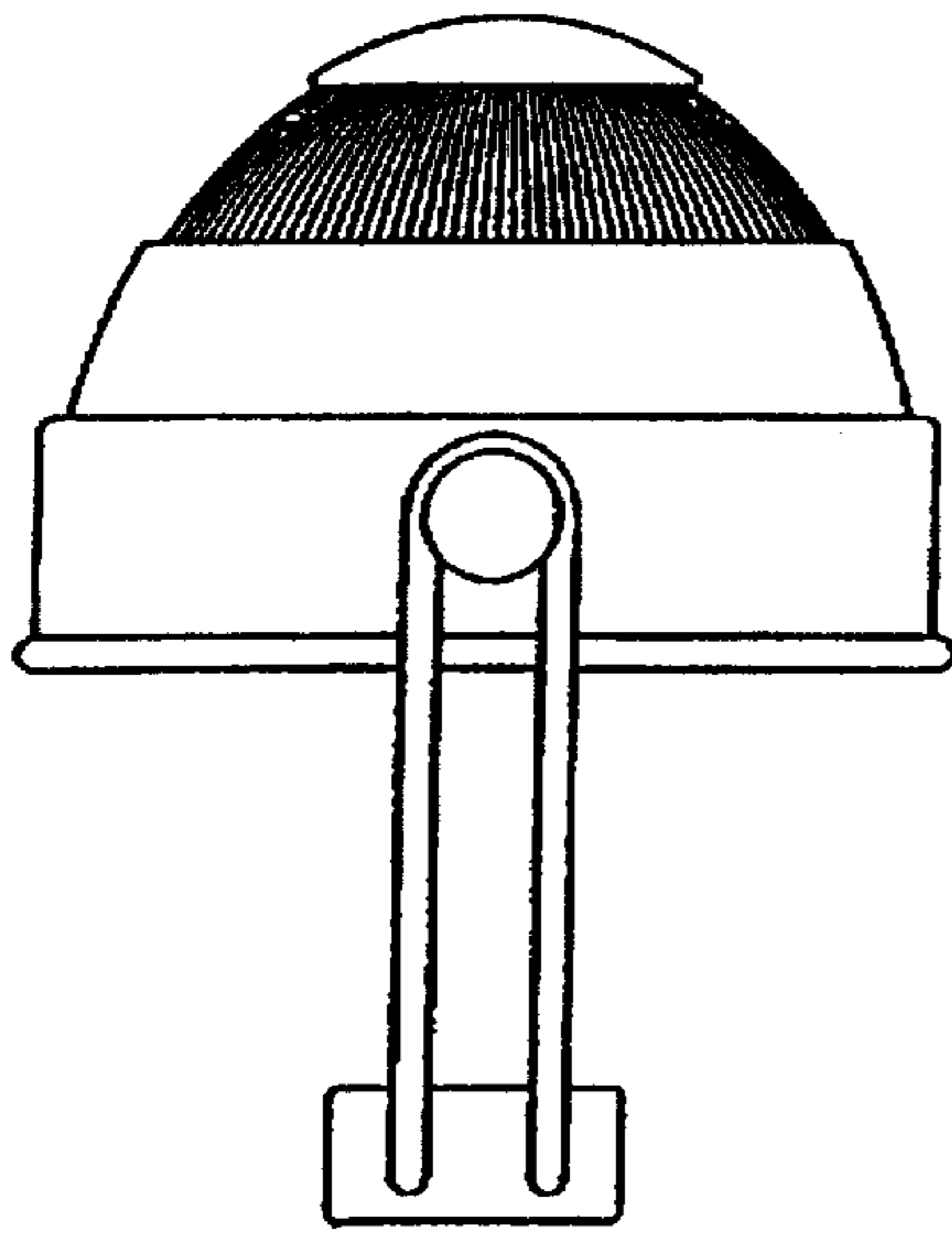
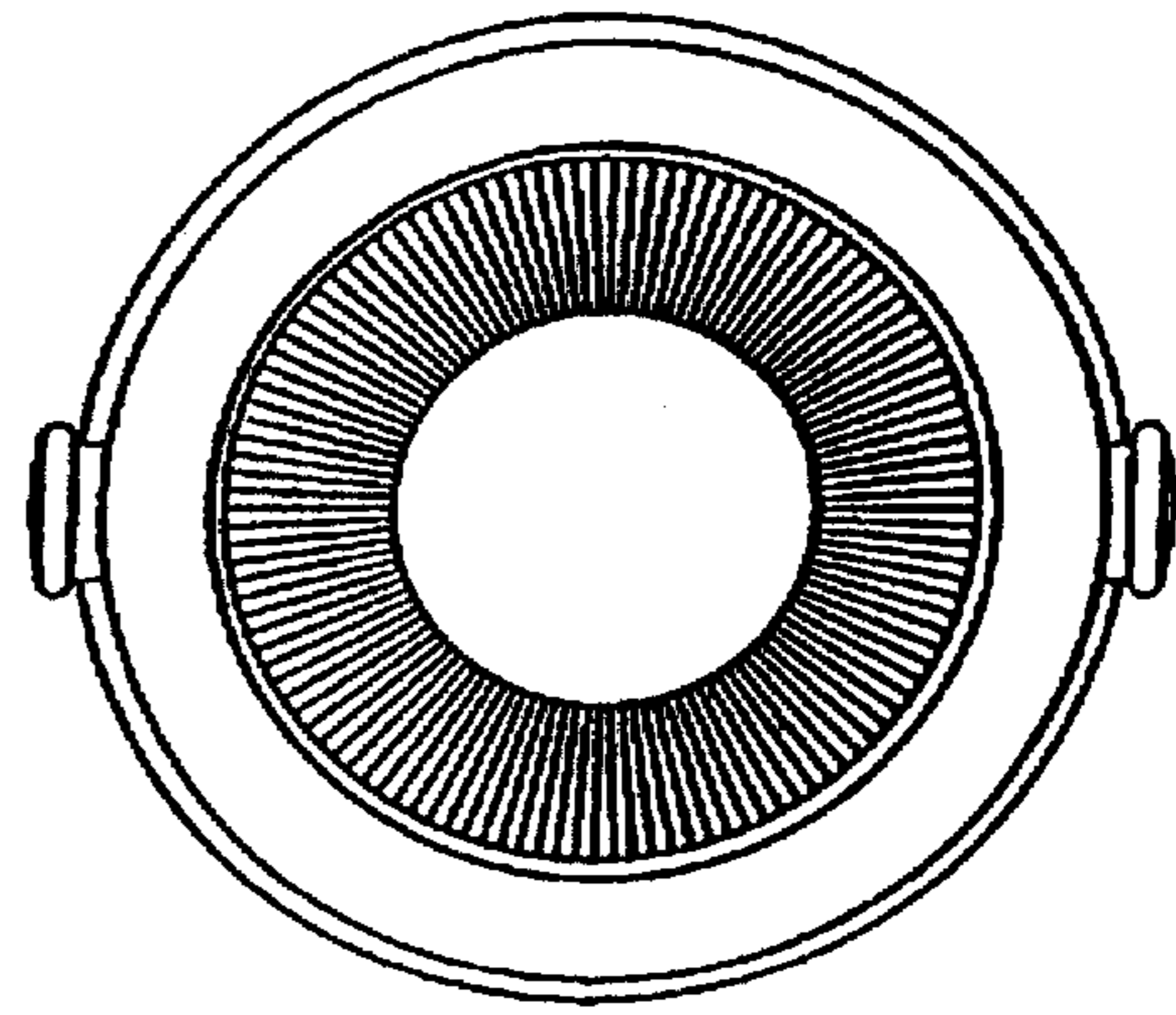


FIG. 2

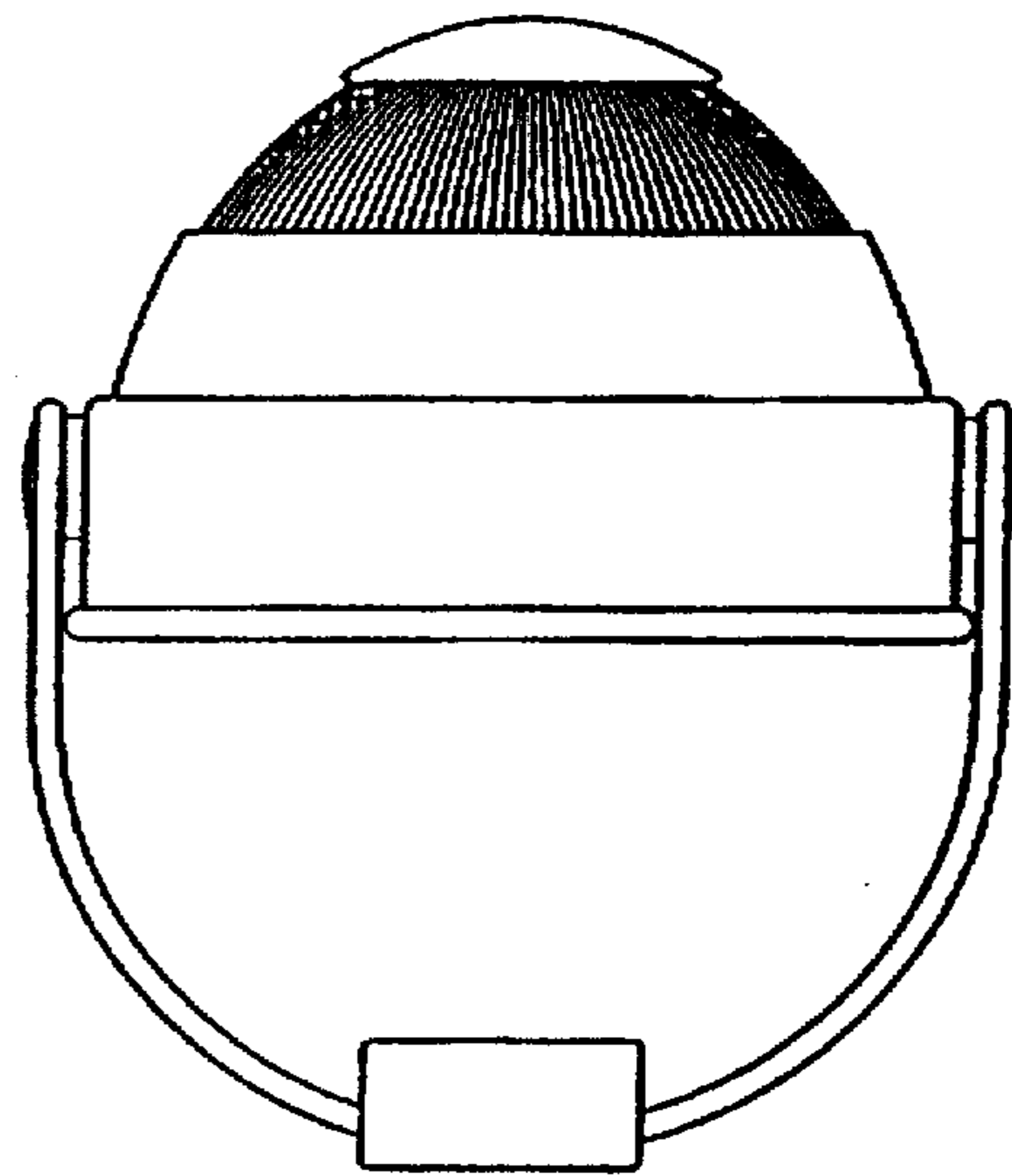


FIG. 1

FIG. 3

