



US00D385052S

**United States Patent** [19]  
**Huang**

[11] **Patent Number: Des. 385,052**

[45] **Date of Patent: \*\*Oct. 14, 1997**

[54] **DESK LAMP**

D. 345,027 3/1994 Huang ..... D26/65  
2,851,587 9/1958 Stockman ..... D26/60 X

[76] **Inventor: Huo-Tu Huang**, No. 9, Lane 379,  
Chung-Hwa Road, Su-Lin, Taipei,  
Taiwan

*Primary Examiner*—Susan J. Lucas  
*Attorney, Agent, or Firm*—Bacon & Thomas

[\*\*] **Term: 14 Years**

[57] **CLAIM**

The ornamental design for desk lamp, as shown and described.

[21] **Appl. No.: 59,884**

[22] **Filed: Sep. 17, 1996**

**DESCRIPTION**

[51] **LOC (6) CL** ..... **26-05**

[52] **U.S. Cl.** ..... **D26/60; D26/63**

[58] **Field of Search** ..... **D26/60-66, 93,**  
**D26/102-112; 362/410-414, 269, 275,**  
**287, 418, 419, 427**

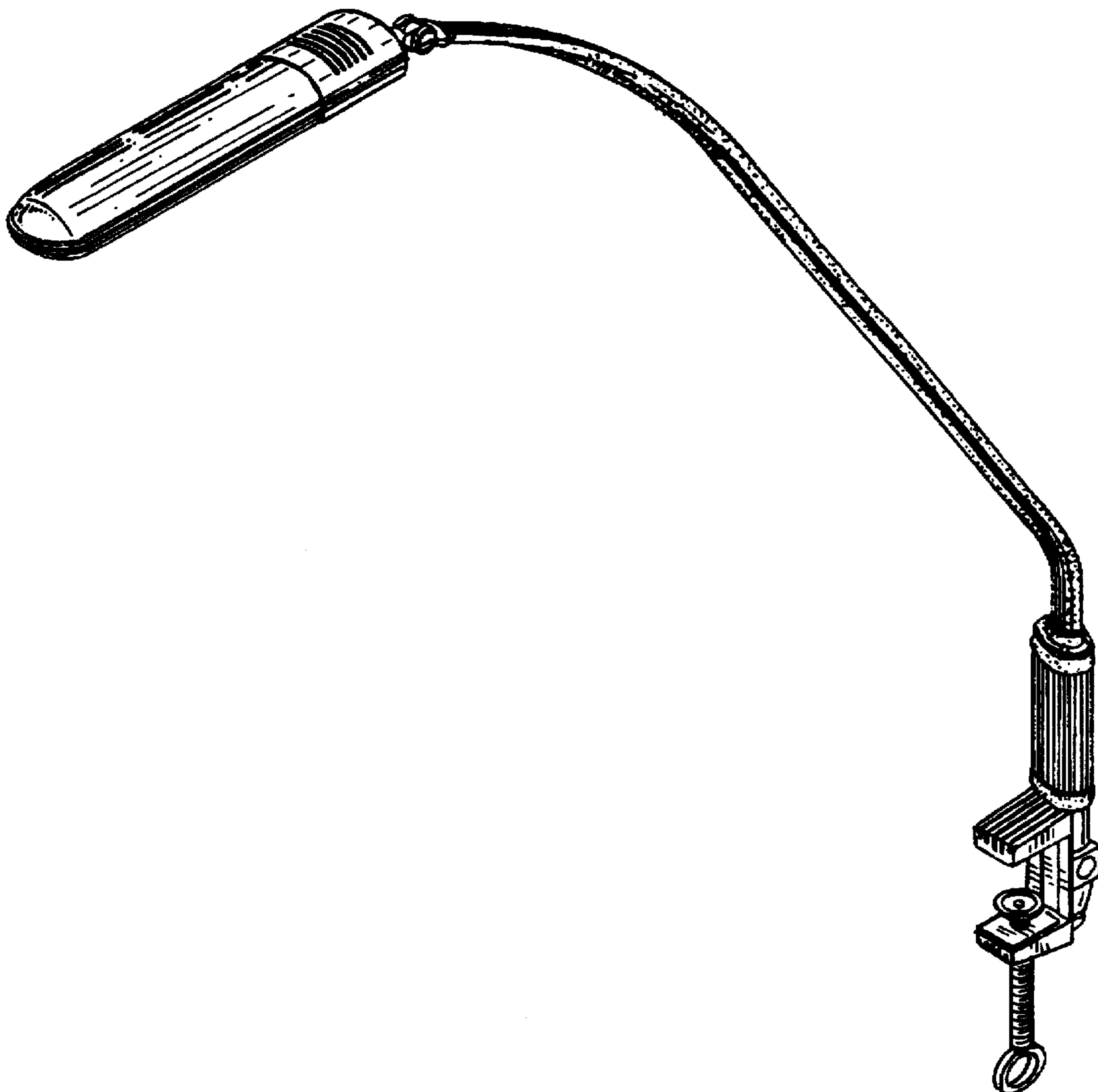
FIG. 1 is a top, front right side perspective view thereof;  
FIG. 2 is a front elevational view thereof;  
FIG. 3 is a rear elevational view thereof;  
FIG. 4 is a left elevational view thereof;  
FIG. 5 is a right elevational view thereof;  
FIG. 6 is a top plan view thereof; and,  
FIG. 7 is a bottom plan view thereof.

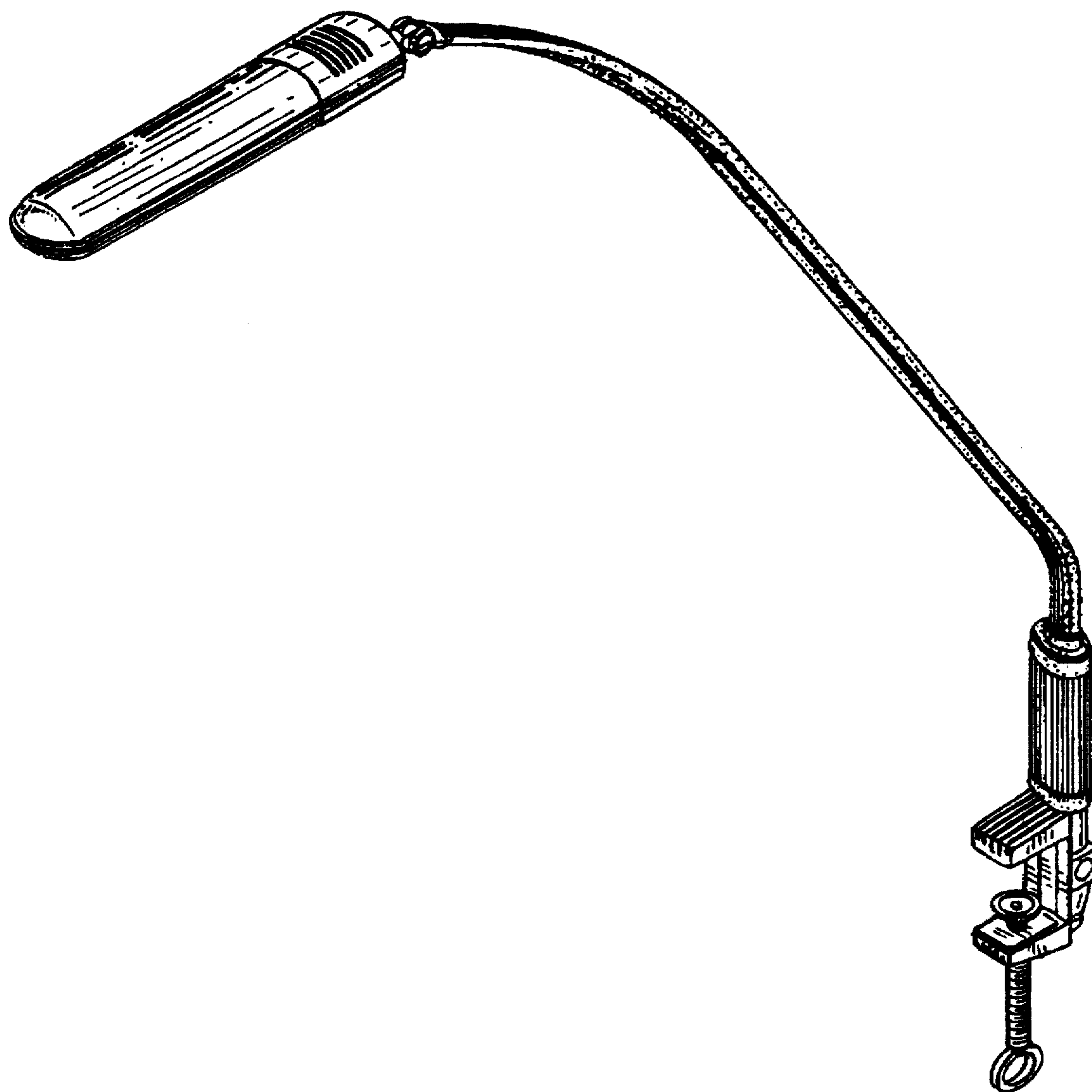
[56] **References Cited**

**U.S. PATENT DOCUMENTS**

D. 223,506 4/1972 Ishikawa ..... D26/60

**1 Claim, 5 Drawing Sheets**





*FIG. 1*

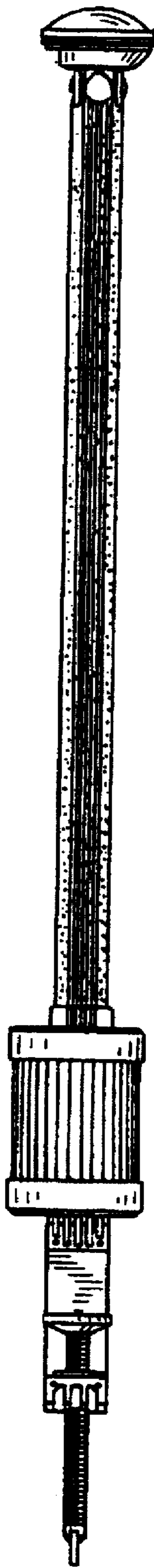


FIG. 2

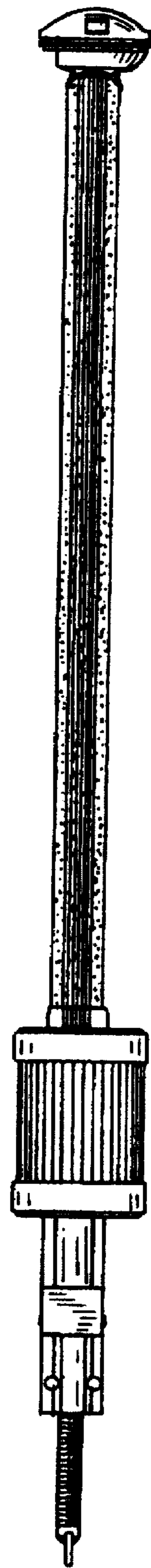


FIG. 3

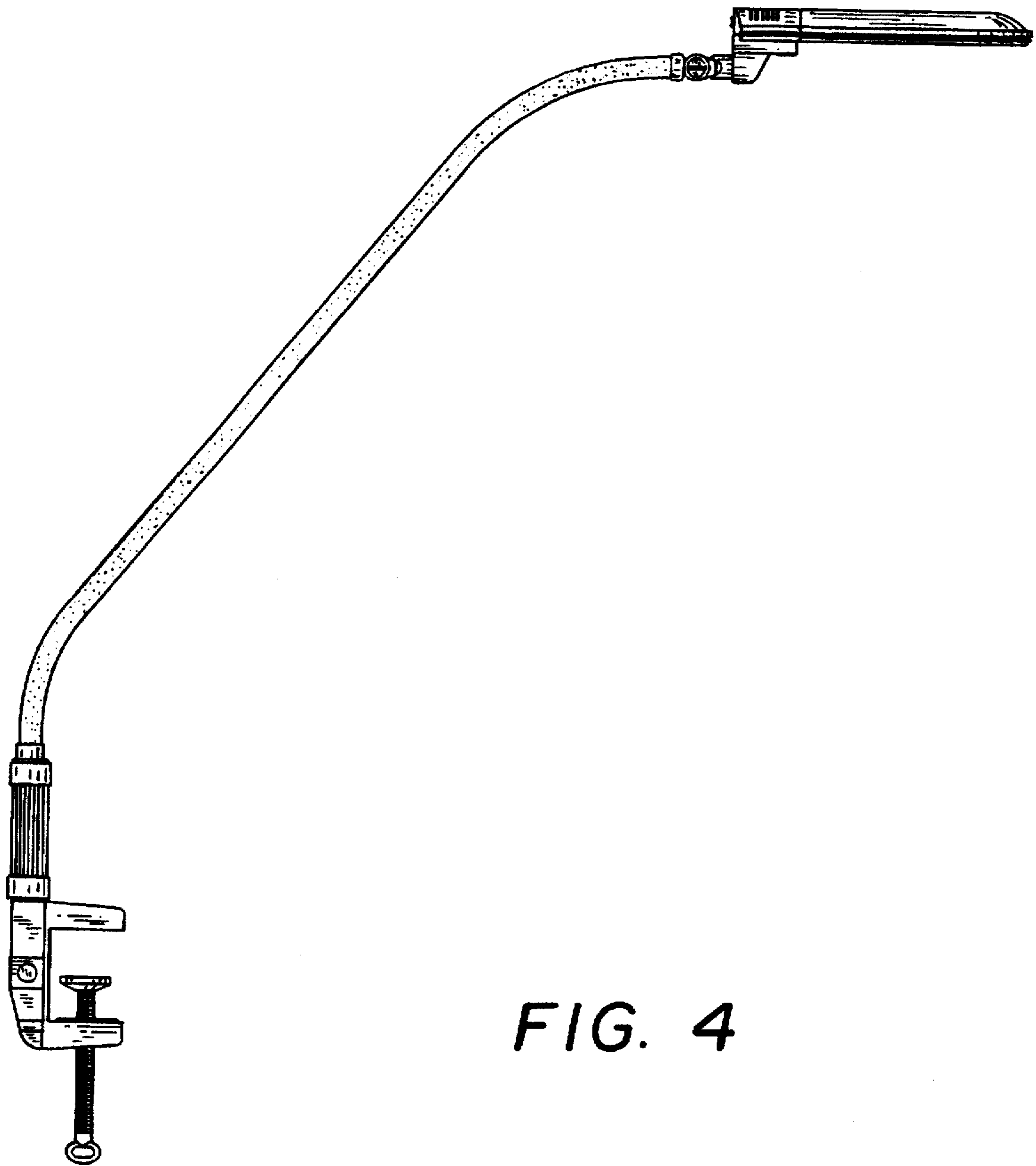


FIG. 4

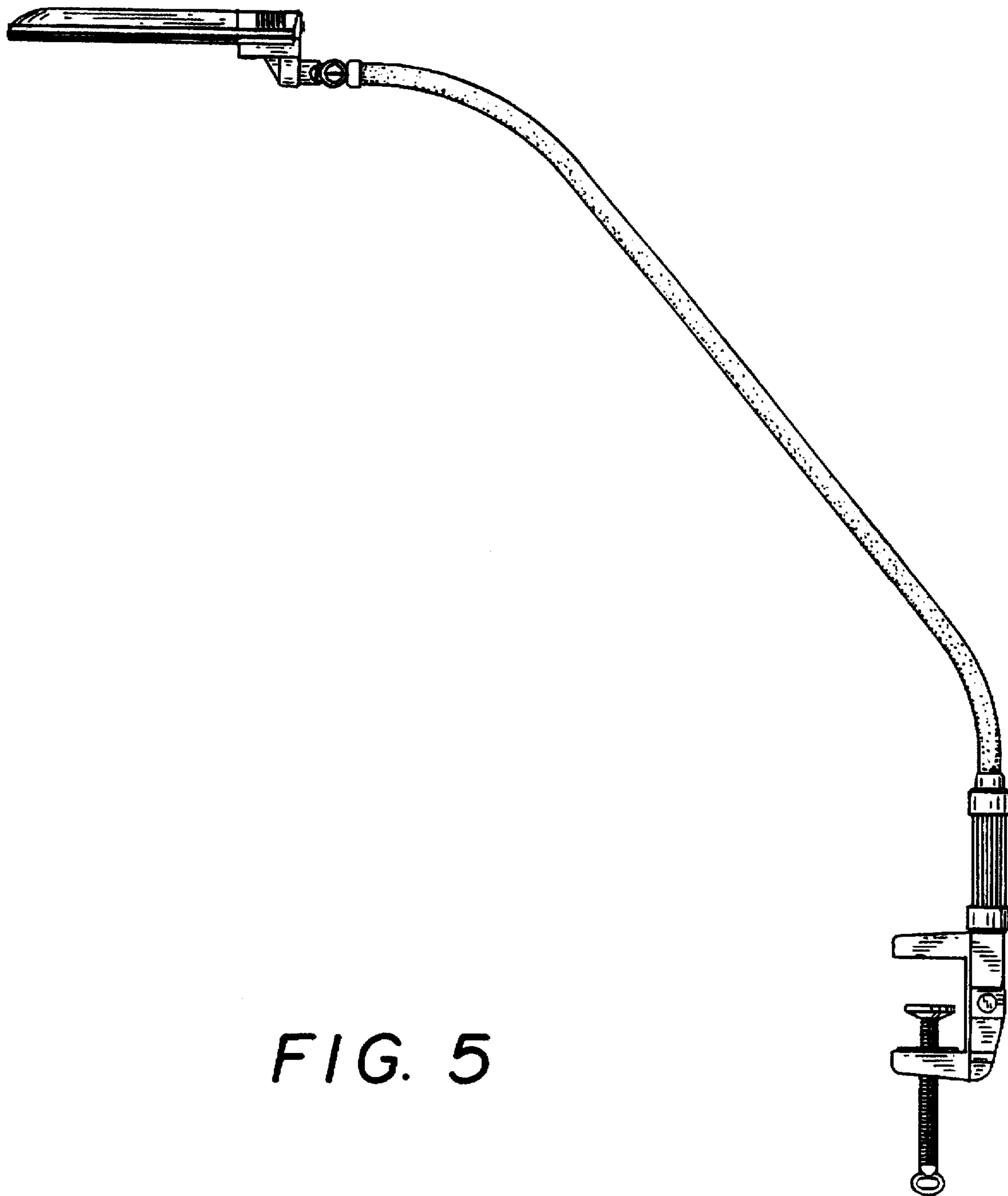


FIG. 5

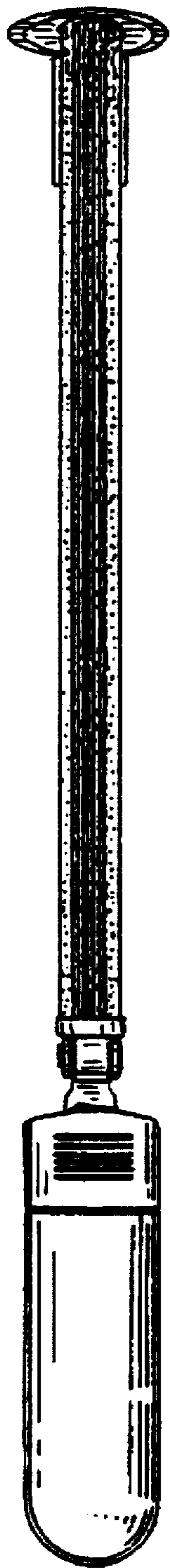


FIG. 6

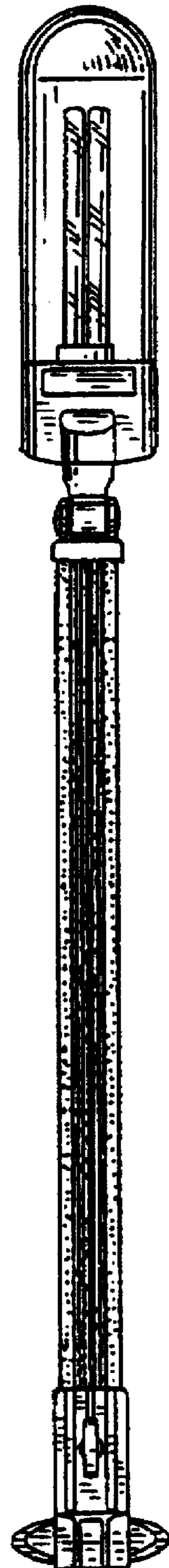


FIG. 7