

US00D385045S

United States Patent [19]
Vanselous

[11] **Patent Number: Des. 385,045**
[45] **Date of Patent: **Oct. 14, 1997**

[54] **TREE CLIMBING IMPLEMENT**
[76] **Inventor: Daniel C. Vanselous, 2730 S. Delaware Dr., Easton, Pa. 18042**
[**] **Term: 14 Years**
[21] **Appl. No.: 59,048**
[22] **Filed: Aug. 30, 1996**
[51] **LOC (6) Cl. 25-04**
[52] **U.S. Cl. D25/69**
[58] **Field of Search D25/69; 182/9, 182/133, 135, 136, 221**

5,234,074 8/1993 Bell 182/9

Primary Examiner—Doris Clark
Attorney, Agent, or Firm—Harold H. Dutton, Jr.; Diane F. Liebman

[57] **CLAIM**

The ornamental design for a tree climbing implement, as shown.

DESCRIPTION

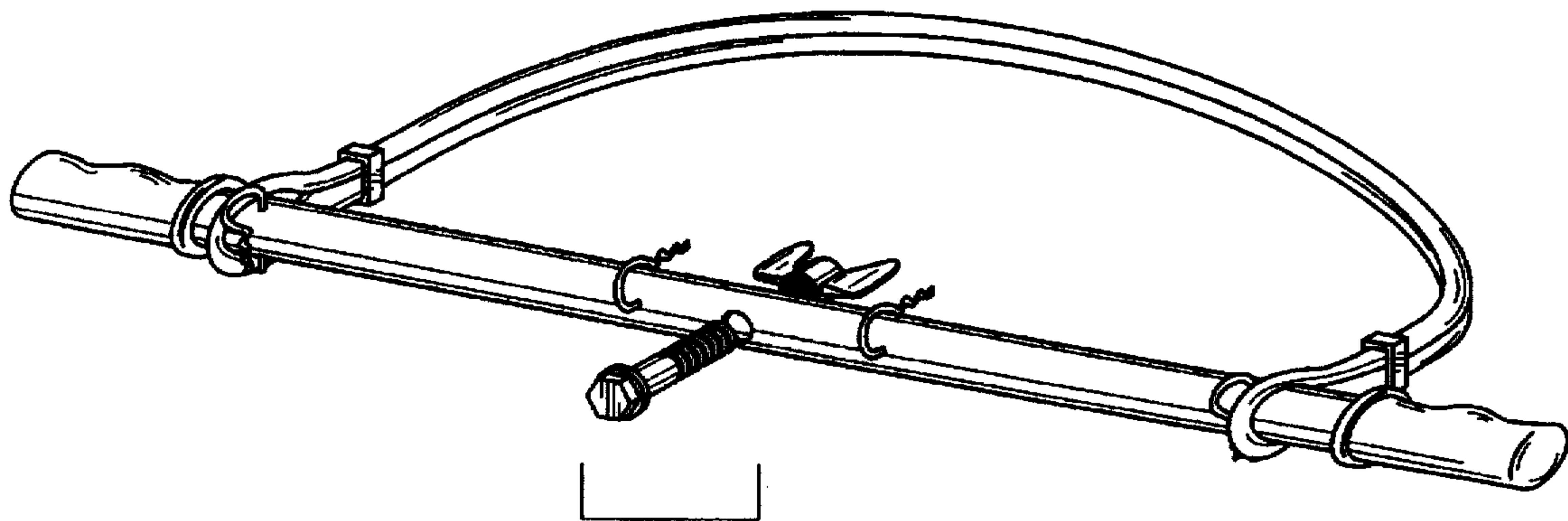
FIG. 1 is a perspective view of a tree climbing implement showing my new design;
FIG. 2 is a front view thereof;
FIG. 3 is a rear view thereof;
FIG. 4 is a top view thereof;
FIG. 5 is a bottom view thereof;
FIG. 6 is a right side view thereof; and,
FIG. 7 is a left side view thereof.

[56] **References Cited**

U.S. PATENT DOCUMENTS

D. 324,130 2/1992 Matsumoto et al. D25/69
4,595,078 6/1986 Greenway 182/133
5,141,074 8/1992 Sulowski et al. 182/133

1 Claim, 4 Drawing Sheets



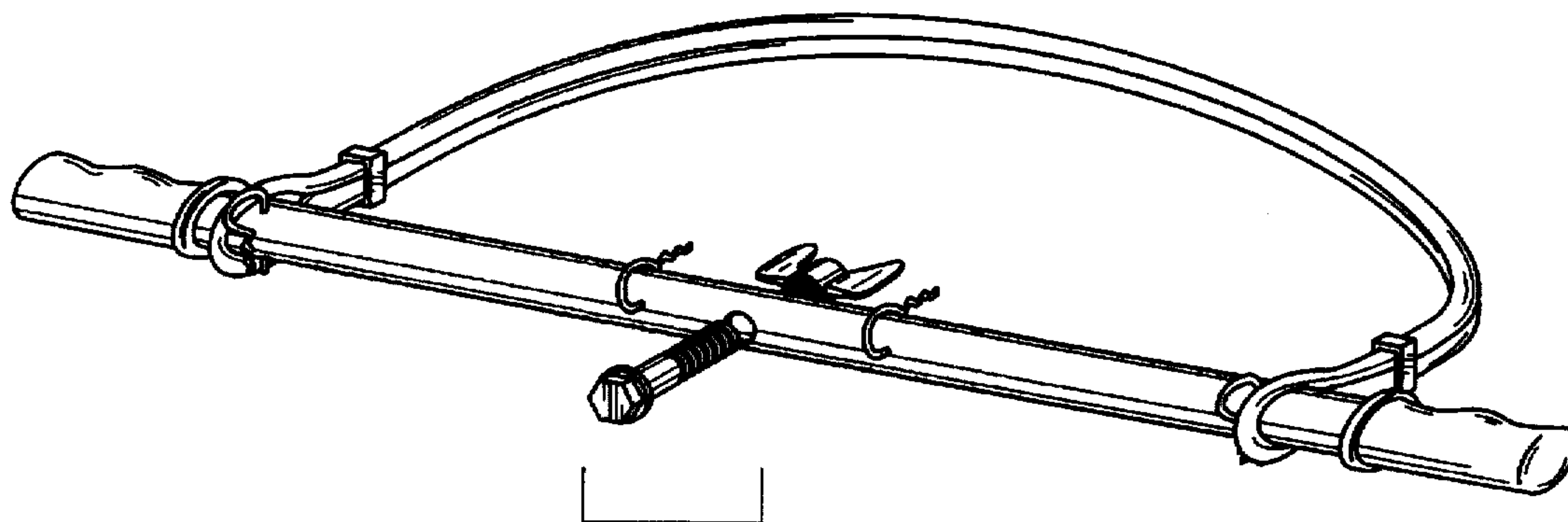


FIG. 1



FIG. 2



FIG. 3

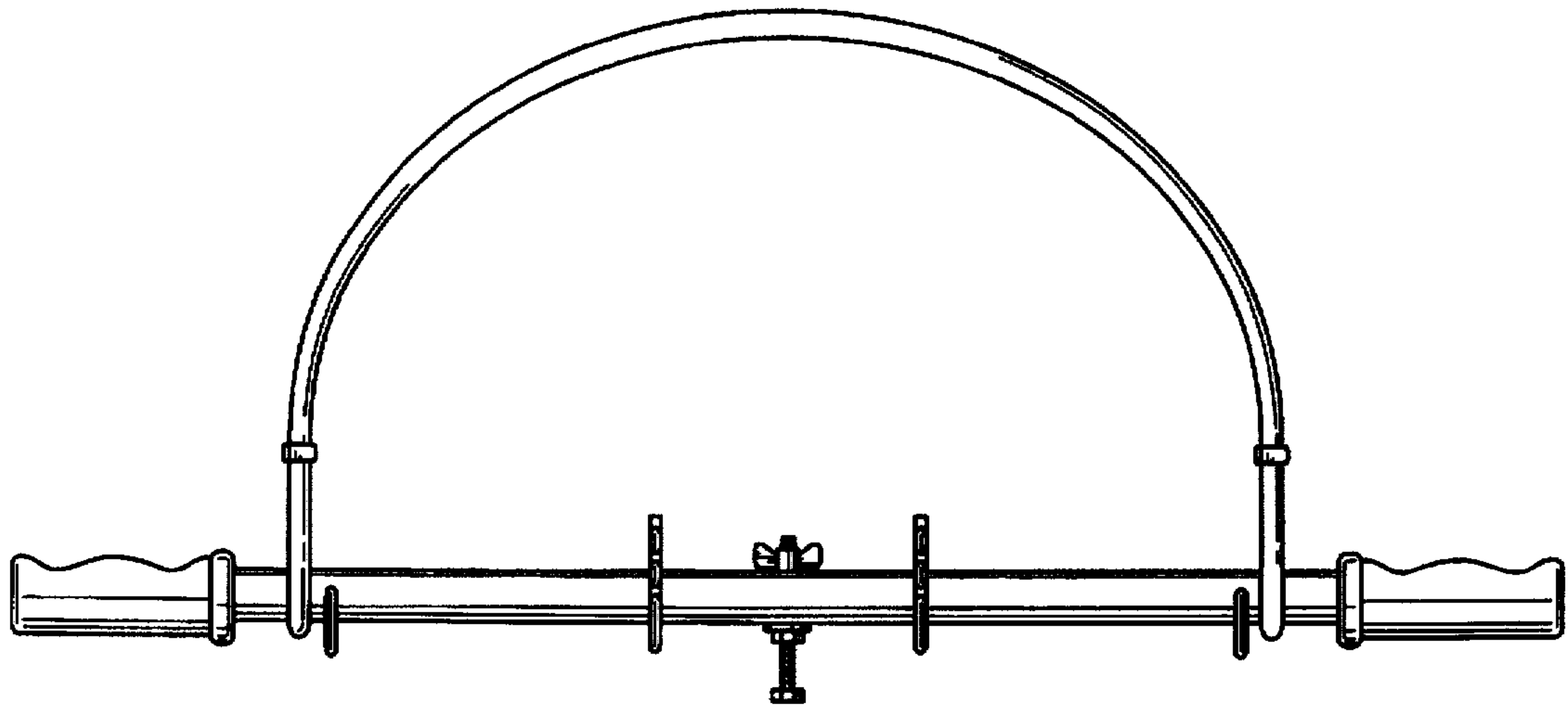
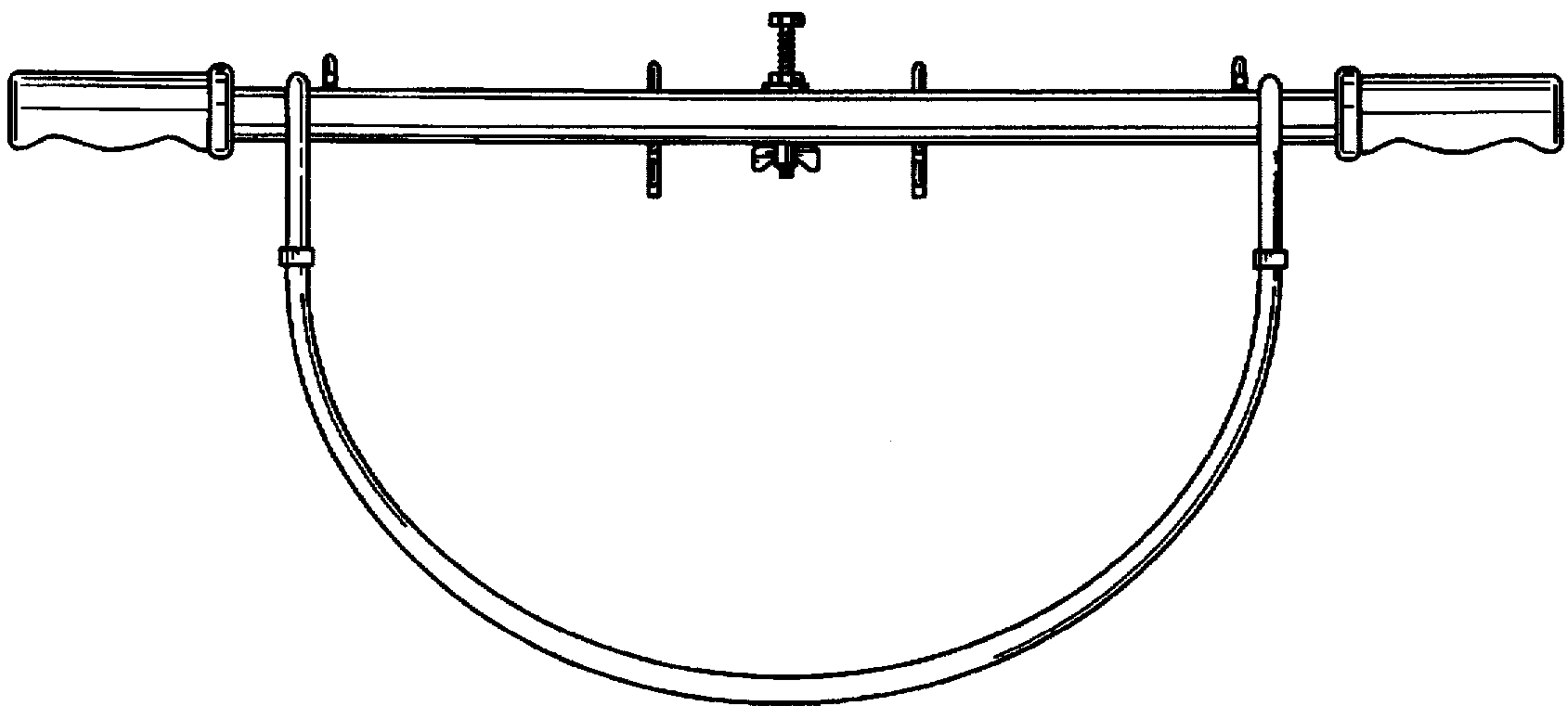


FIG. 4

FIG. 5



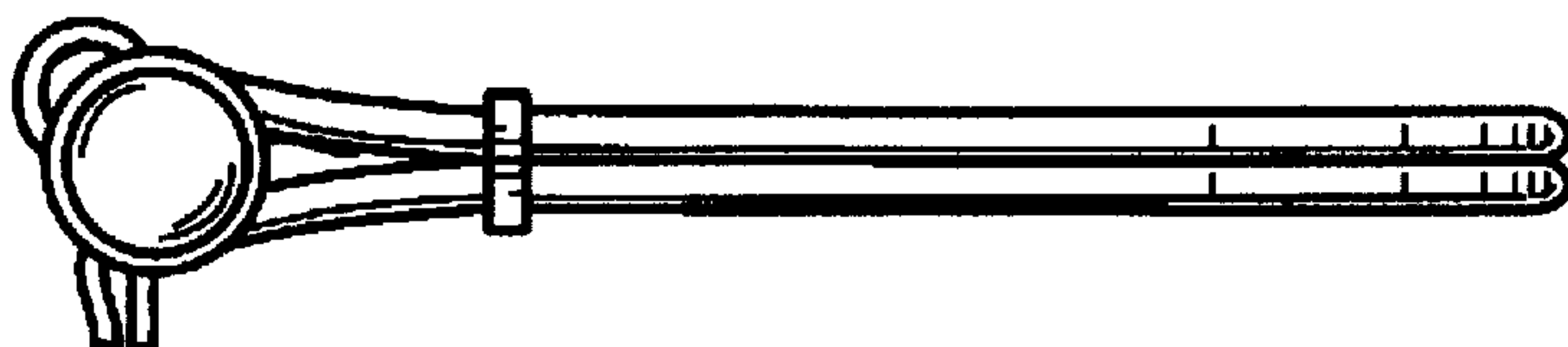


FIG. 6

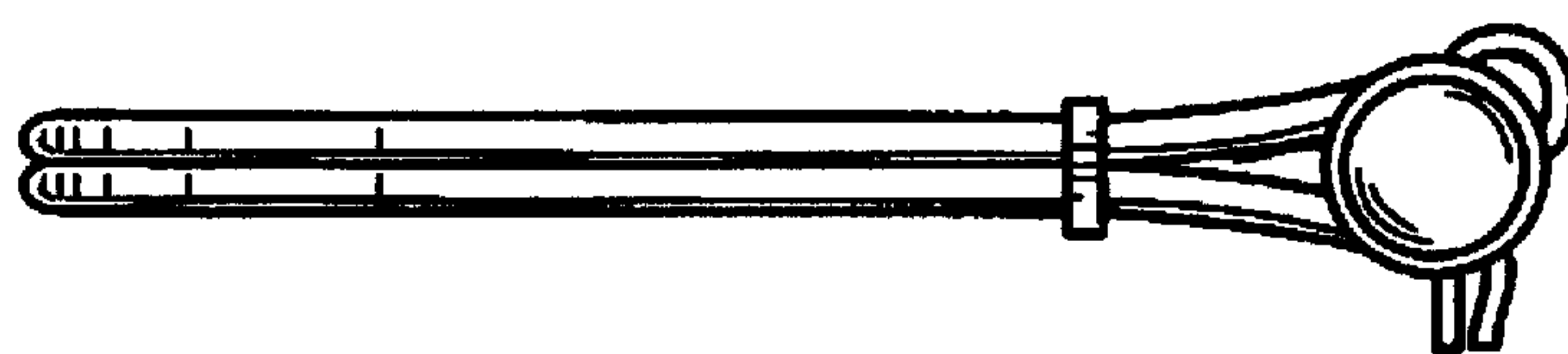


FIG. 7