



US00D385035S

# United States Patent [19]

[11] Patent Number: **Des. 385,035**

**Niedospial, Jr. et al.**

[45] Date of Patent: **\*\*Oct. 14, 1997**

[54] **FLEXIBLE MEDICAL FLUID CONTAINER**

[75] Inventors: **John J. Niedospial, Jr.**, Burlington;  
**Rebecca V. Fisher**, Cranbury, both of  
N.J.

[73] Assignee: **Bracco Diagnostics, Inc.**, Princeton,  
N.J.

[\*\*] Term: **14 Years**

[21] Appl. No.: **57,720**

[22] Filed: **Jul. 30, 1996**

[51] LOC (6) Cl. .... **24-01**

[52] U.S. Cl. .... **D24/118**

[58] Field of Search ..... D24/118, 124,  
D24/108, 107, 164; D9/305, 304; 128/760,  
DIG. 24; 604/408, 410, 283, 4, 905, 30;  
426/106

D. 303,574	9/1989	Steer	.....	D24/51
D. 303,575	9/1989	Steer	.....	D24/51
D. 306,759	3/1990	D'Alo	.....	D24/118
D. 323,389	1/1992	Aoki et al.	.....	D24/117
D. 324,566	3/1992	Schmidt et al.	.....	D24/118
D. 347,993	6/1994	Lane et al.	.....	D9/305
D. 354,129	1/1995	Salvadori	.....	D24/118
D. 354,906	1/1995	Lane et al.	.....	D9/305
3,331,421	7/1967	Lambert	.....	D24/118 X
4,305,443	12/1981	Bayham	.....	128/DIG. 24 X
5,391,163	2/1995	Christine et al.	.....	604/408
5,423,762	6/1995	Hillstead	.....	604/283 X
5,496,302	3/1996	Minshall et al.	.....	604/408 X

*Primary Examiner*—Louis S. Zarfes  
*Assistant Examiner*—Frank Martinez  
*Attorney, Agent, or Firm*—Imre Balogh

[57] **CLAIM**

The ornamental design for the flexible medical fluid container, as shown and described.

**DESCRIPTION**

FIG. 1 is a front elevational view of a flexible medical fluid container showing my new design;  
FIG. 2 is a left side elevational view thereof;  
FIG. 3 is a right side elevational view thereof;  
FIG. 4 is a rear elevational view thereof;  
FIG. 5 is a top plan view thereof; and,  
FIG. 6 is a bottom plan view thereof.

**1 Claim, 2 Drawing Sheets**

[56] **References Cited**

**U.S. PATENT DOCUMENTS**

D. 192,987	1/1962	Waldman	.....	D83/1
D. 200,034	1/1965	Zytko et al.	.....	D83/1
D. 229,786	1/1974	Kinkel et al.	.....	D83/1 U
D. 284,035	5/1986	Leeuwe et al.	.....	D24/58
D. 298,567	11/1988	Morris	.....	D24/58
D. 302,306	7/1989	Steer	.....	D24/51
D. 302,307	7/1989	Steer	.....	D24/51

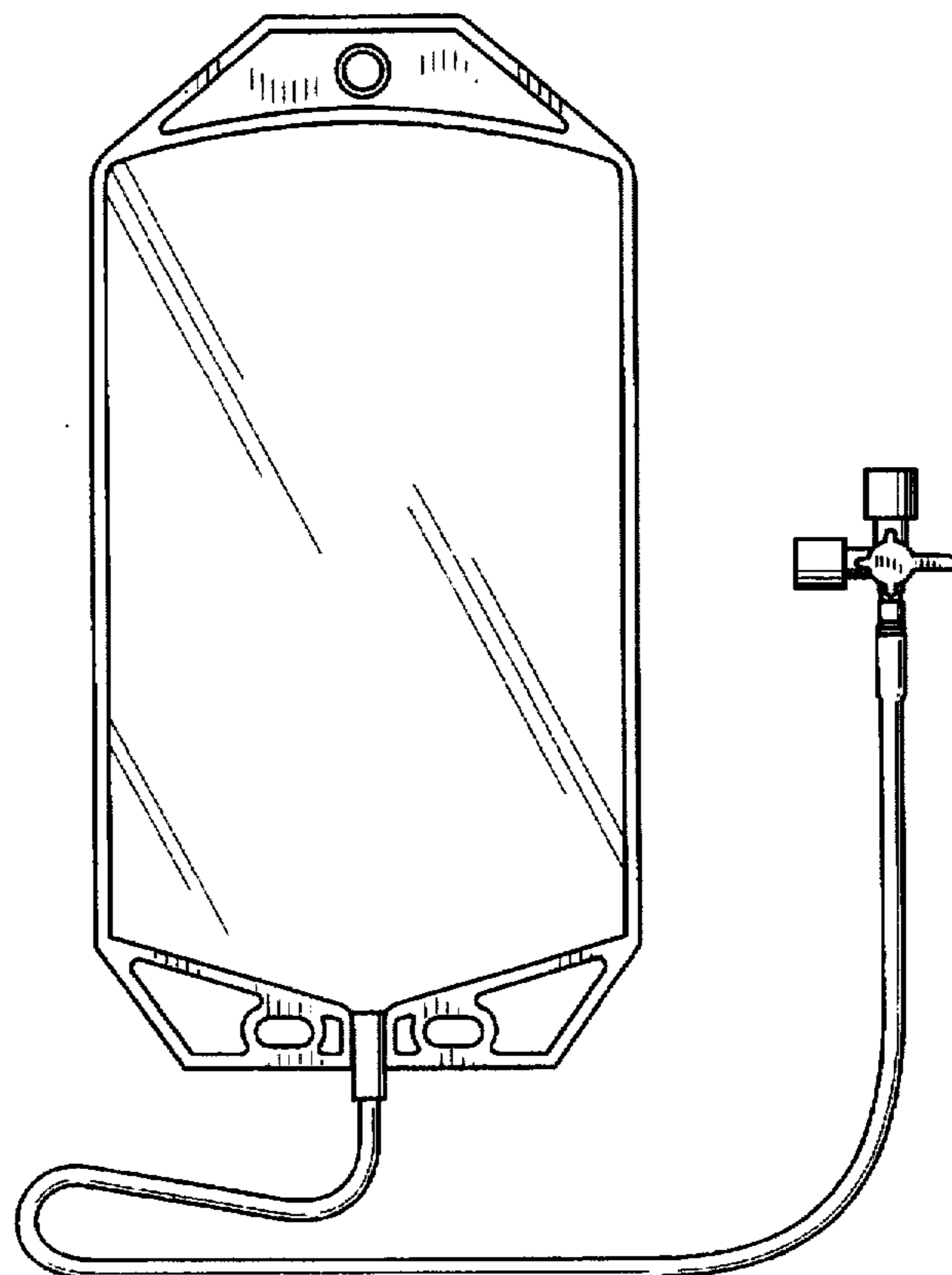


FIG. 1

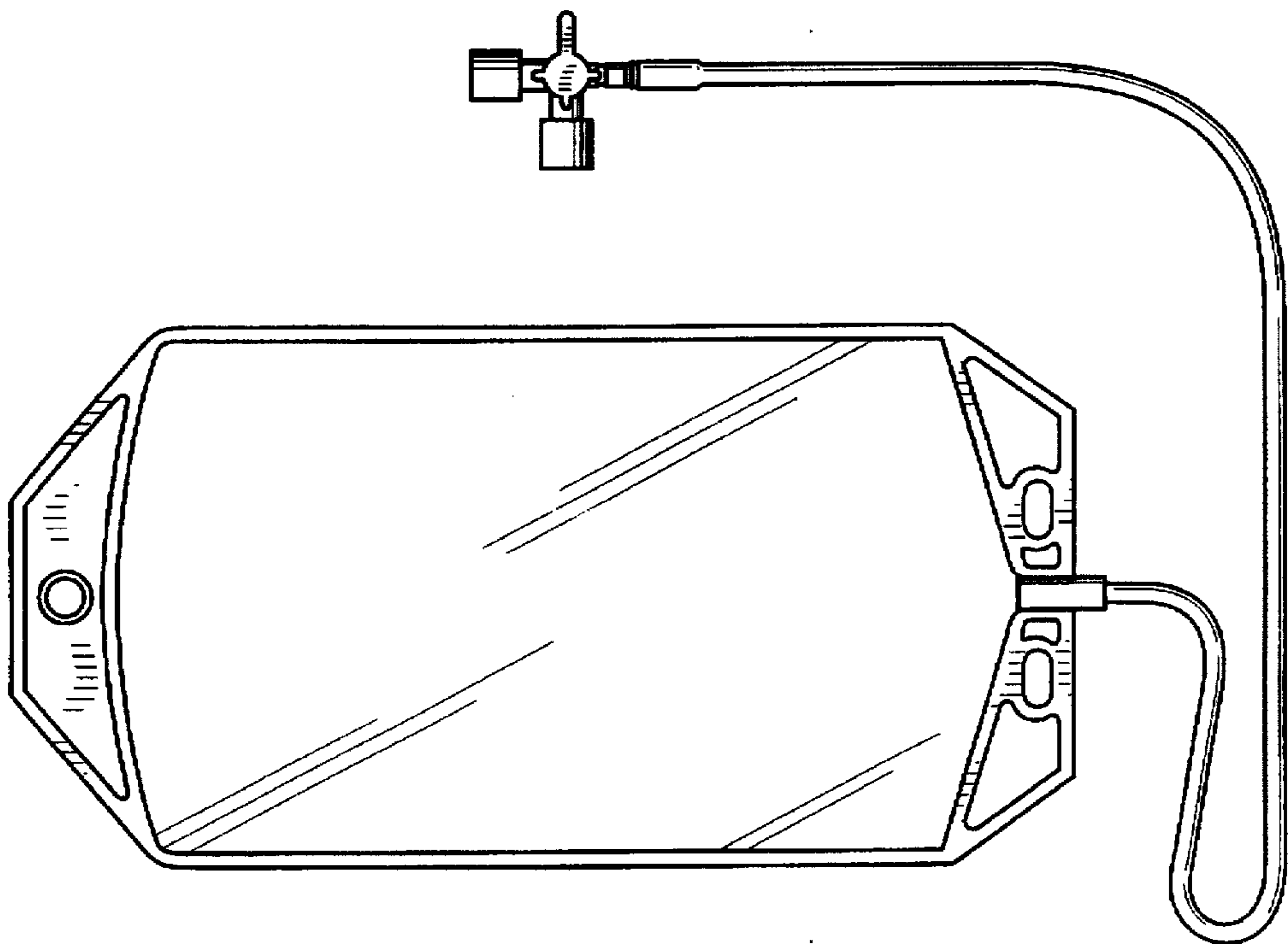


FIG. 2

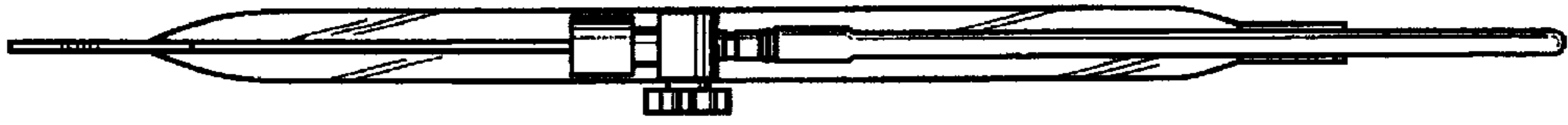


FIG. 3



FIG. 5

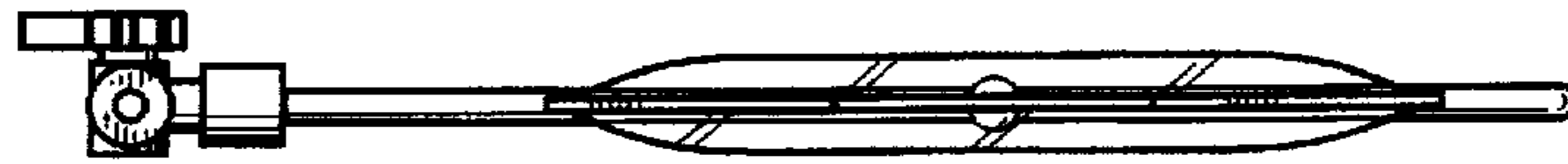


FIG. 4

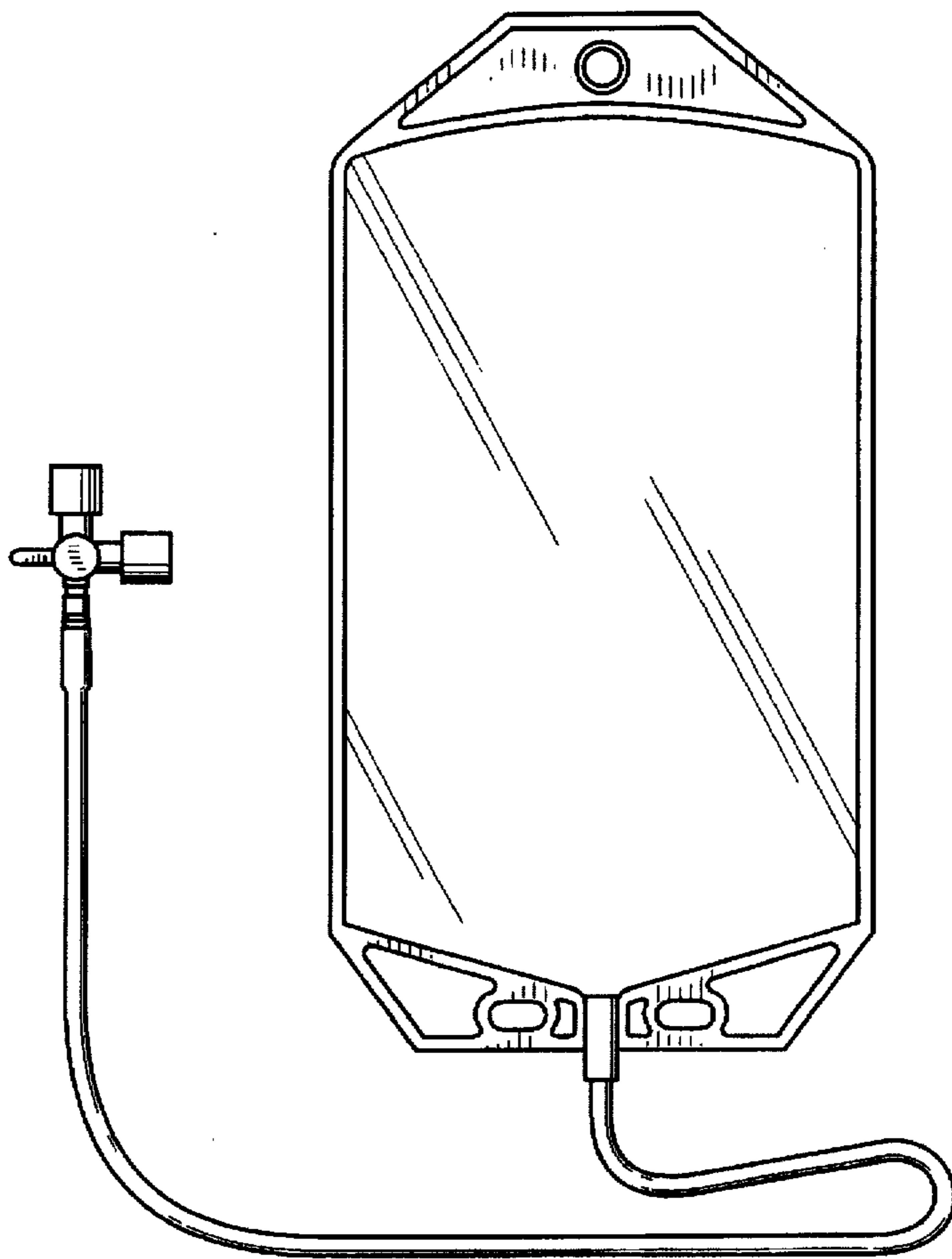


FIG. 6

